



US00D479064S

(12) **United States Design Patent**
Goldberg

(10) **Patent No.:** **US D479,064 S**

(45) **Date of Patent:** **** Sep. 2, 2003**

(54) **WORKBENCH**

(75) Inventor: **Mark A. Goldberg**, Lido Beach, NY
(US)

(73) Assignee: **Systemax, Inc.**, Port Washington, NY
(US)

(**) Term: **14 Years**

(21) Appl. No.: **29/175,276**

(22) Filed: **Jan. 31, 2003**

(51) **LOC (7) Cl.** **06-03**

(52) **U.S. Cl.** **D6/480; D6/400**

(58) **Field of Search** D6/480-489, 495,
D6/422-428, 400; 108/50.01, 50.02; 312/194-196,
204, 208.1, 208.2, 208.4, 239; 248/188,
188.1, 188.8

(56) **References Cited**

U.S. PATENT DOCUMENTS

D317,092 S	*	5/1991	Koguma	D6/428
D348,573 S	*	7/1994	Ewald	D6/400
D399,683 S	*	10/1998	Nicklas	D6/484
D415,365 S	*	10/1999	Nicklas	D6/400
D466,717 S	*	12/2002	Cho	D6/400

* cited by examiner

Primary Examiner—Janice E. Seeger

(74) *Attorney, Agent, or Firm*—Gibbons, Del Deo, Dolan,
Griffinger & Vecchione

(57) **CLAIM**

The ornamental design for a workbench, as shown and described.

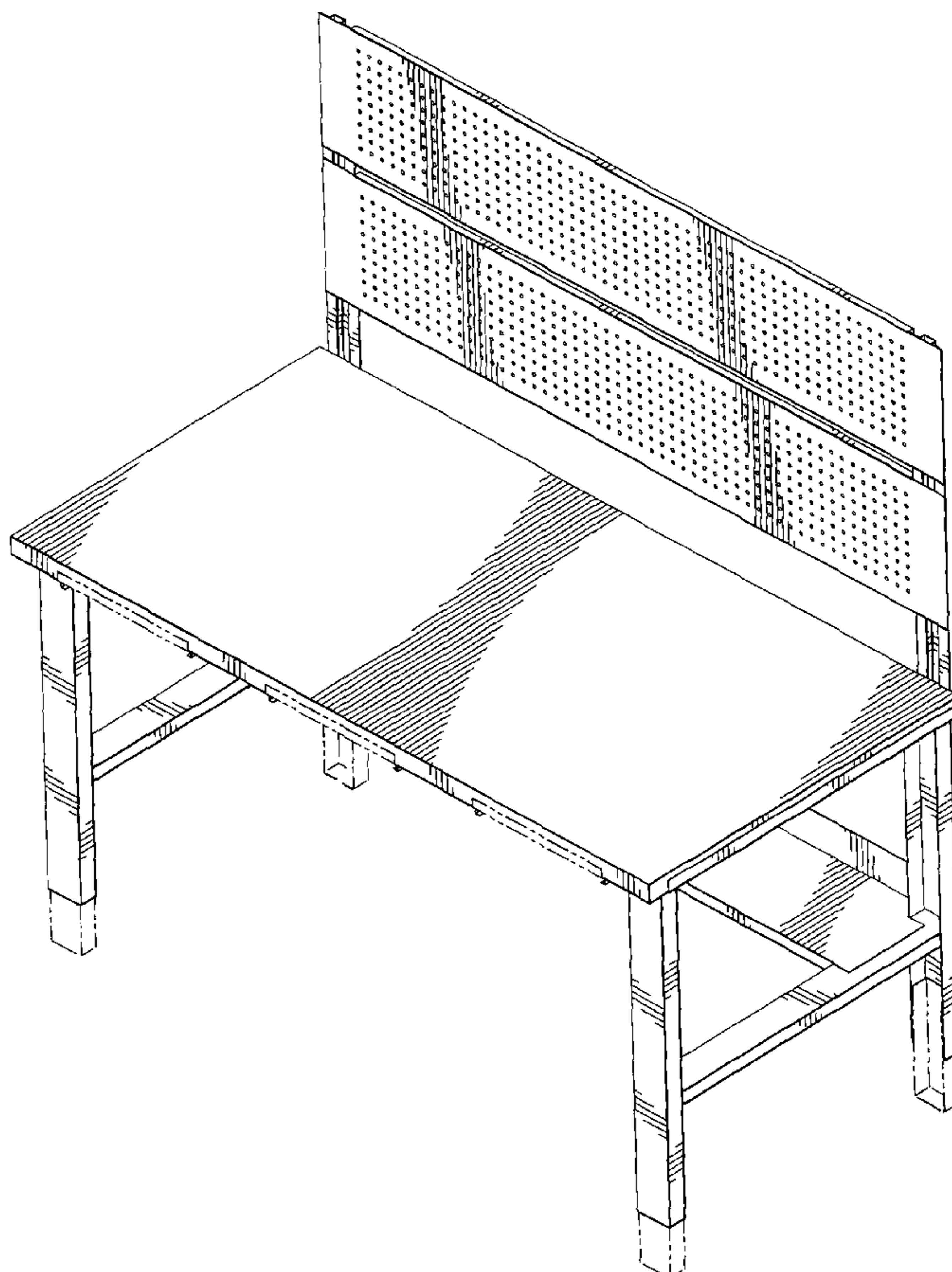
DESCRIPTION

FIG. 1 is a front perspective view of a workbench in accordance with the invention;
FIG. 2 is a front view thereof;
FIG. 3 is a right side view thereof that is identical/symmetrical to the left side view thereof;
FIG. 4 is a rear view thereof;
FIG. 5 is a top view thereof;
FIG. 6 is a bottom view thereof;
FIG. 7 is a top view thereof as in FIG. 5 but with the benchtop removed for convenience of illustration; and,
FIG. 8 is a bottom view thereof as in FIG. 6 but with the shelf removed for convenience of illustration.

That which is depicted in solid lines in the drawing represents the claimed invention and that which is depicted in broken lines in the drawing forms no part of the claimed invention.

Portions of bottom views that are not shown in the drawing are plain and unornamented.

1 Claim, 6 Drawing Sheets



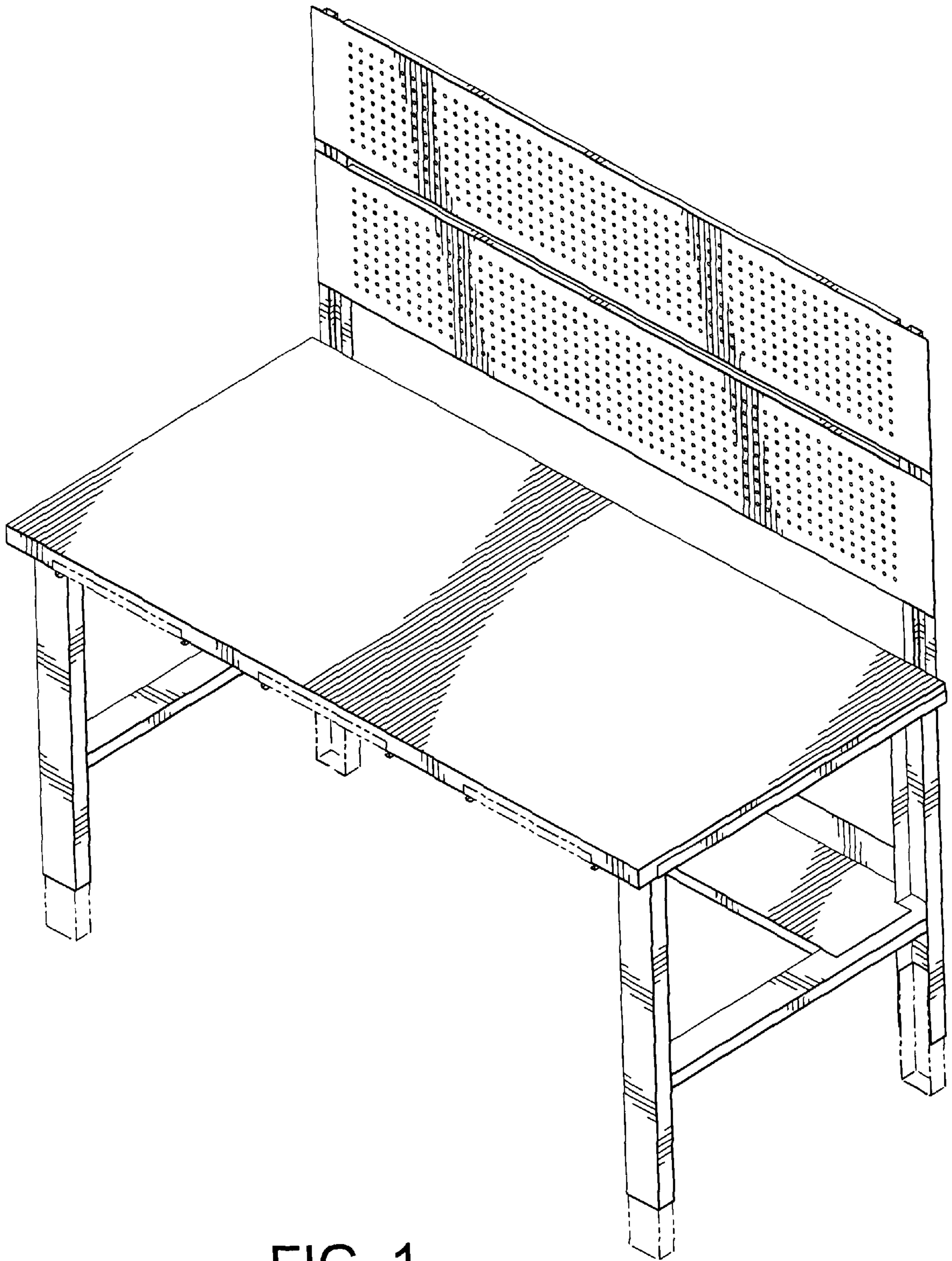


FIG. 1

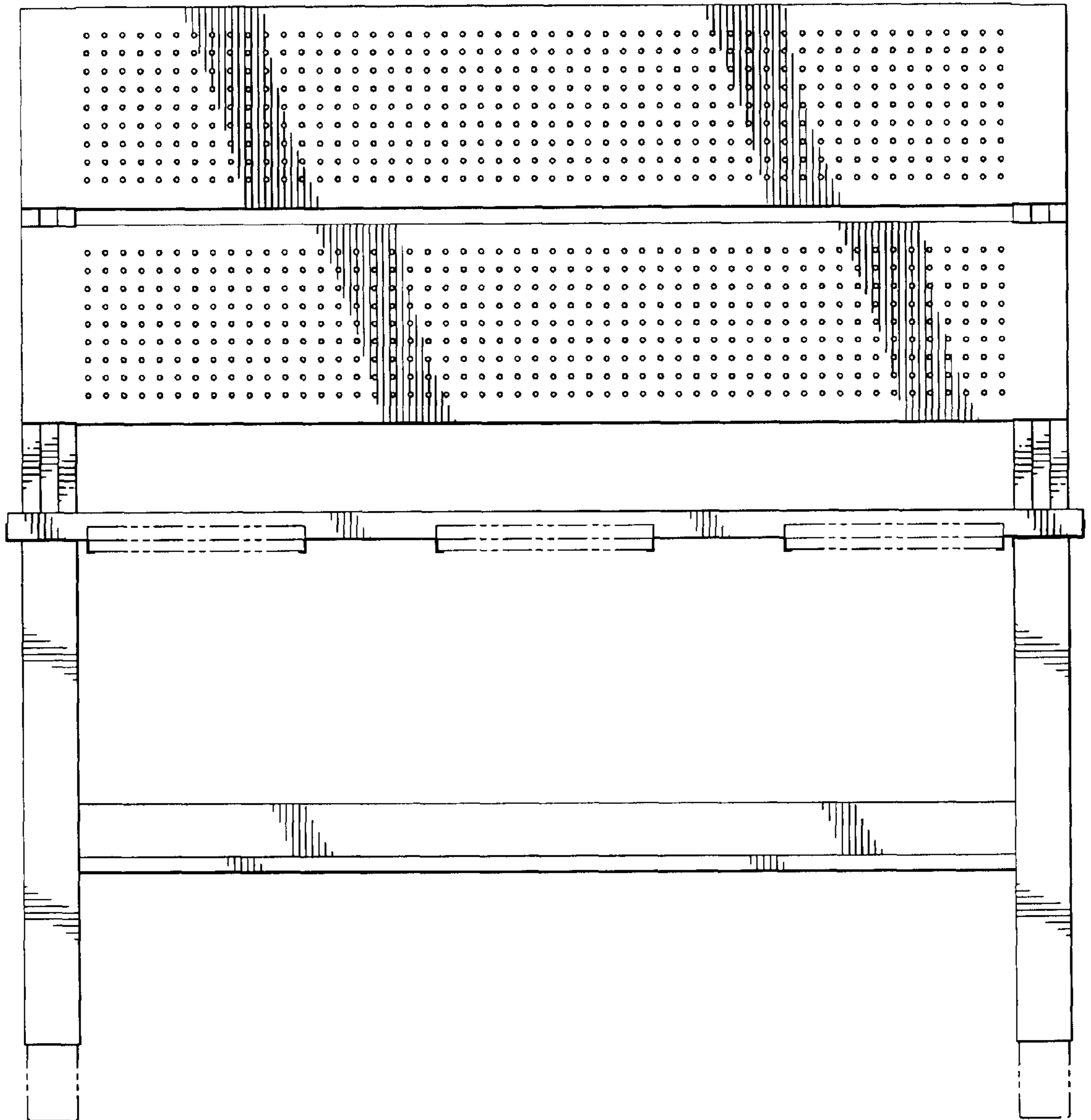


FIG. 2

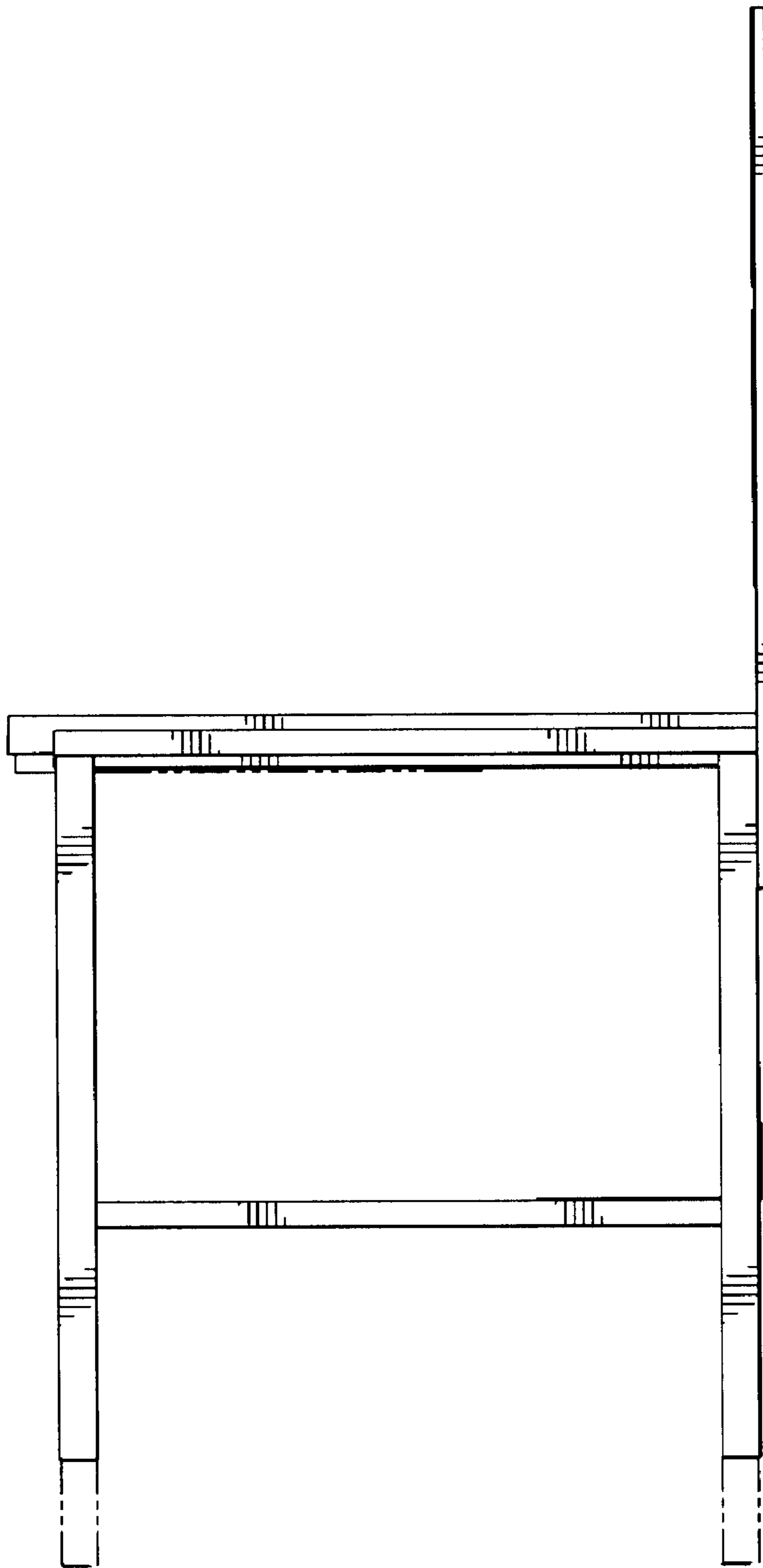


FIG. 3

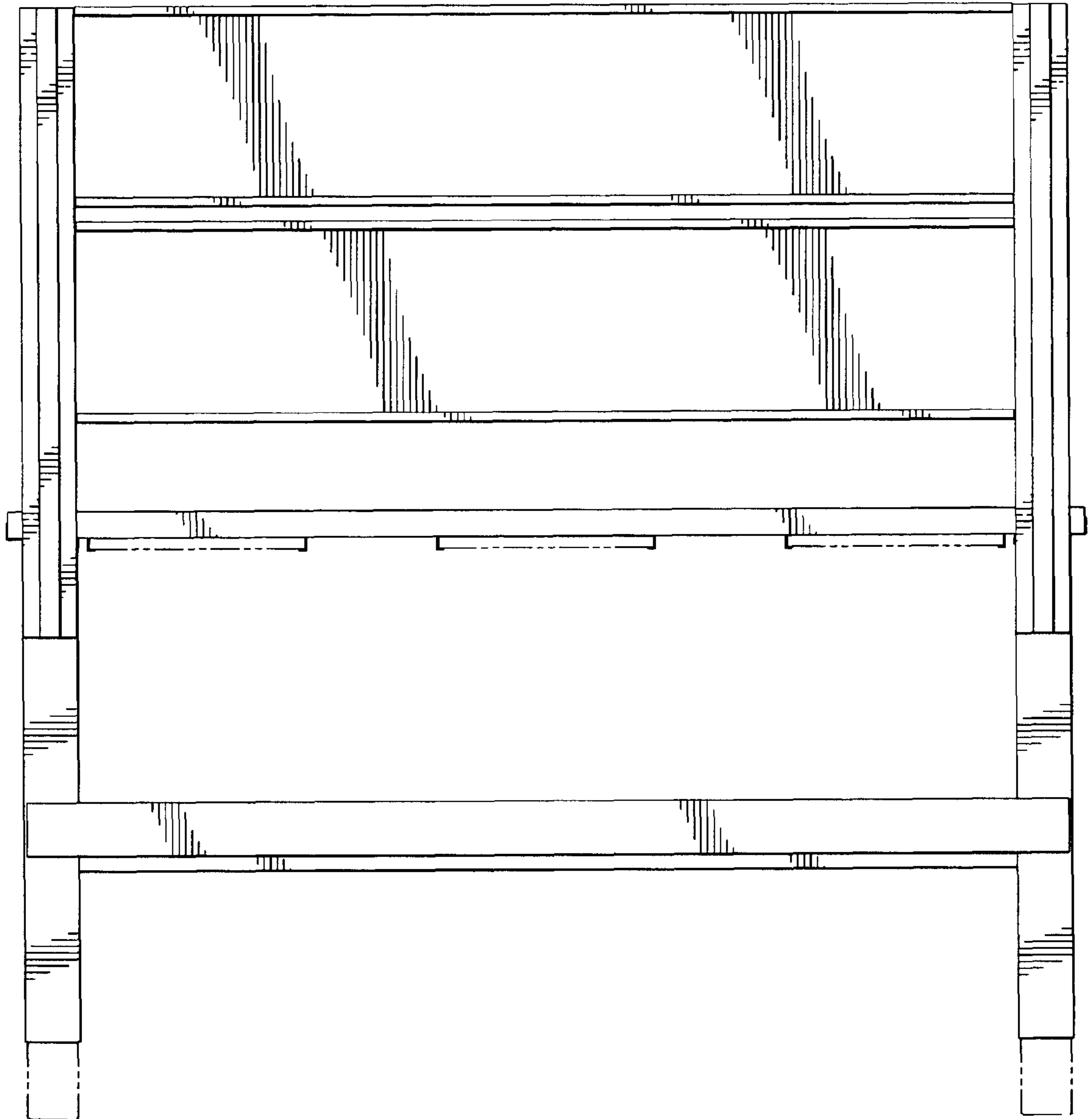


FIG. 4

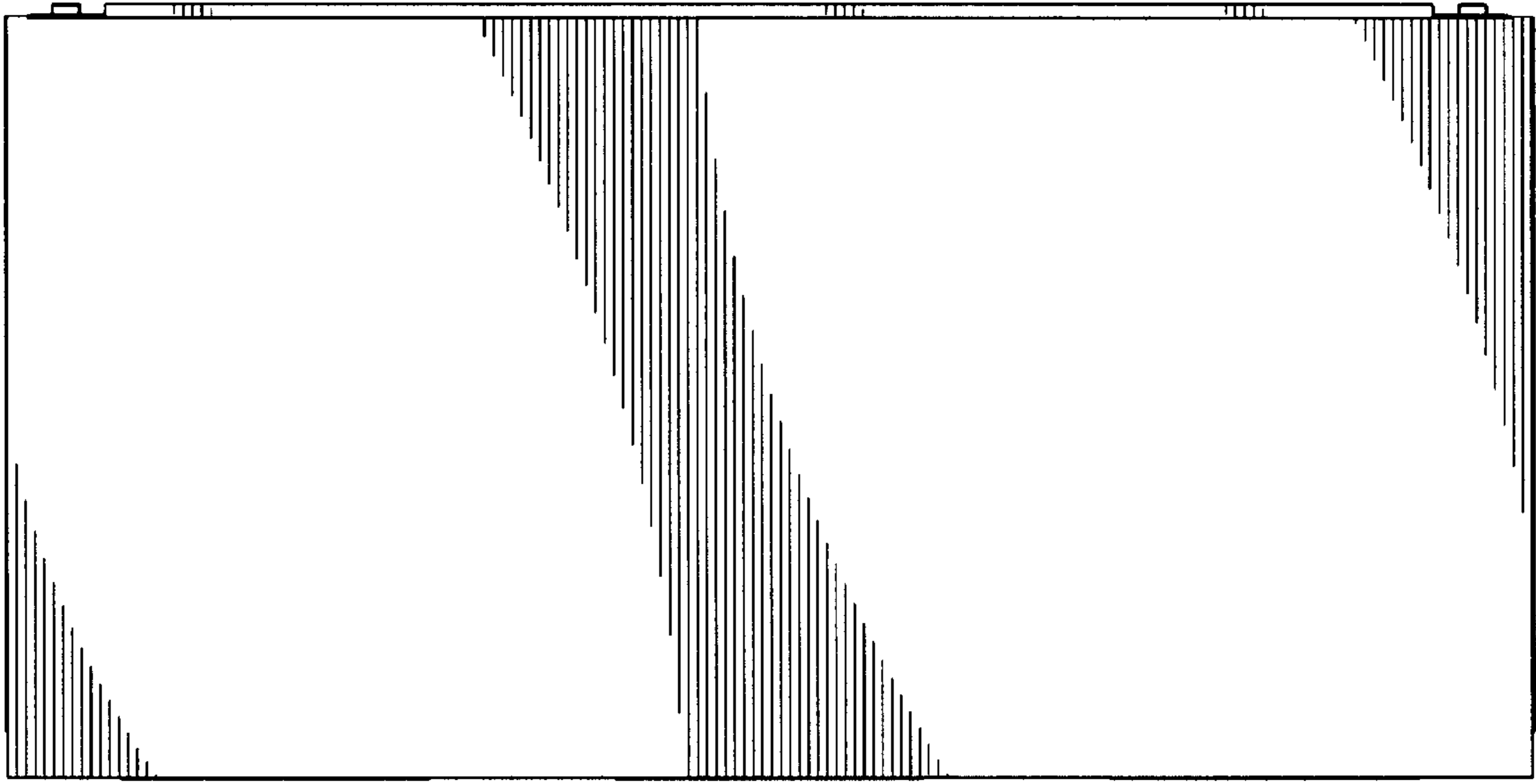


FIG. 5

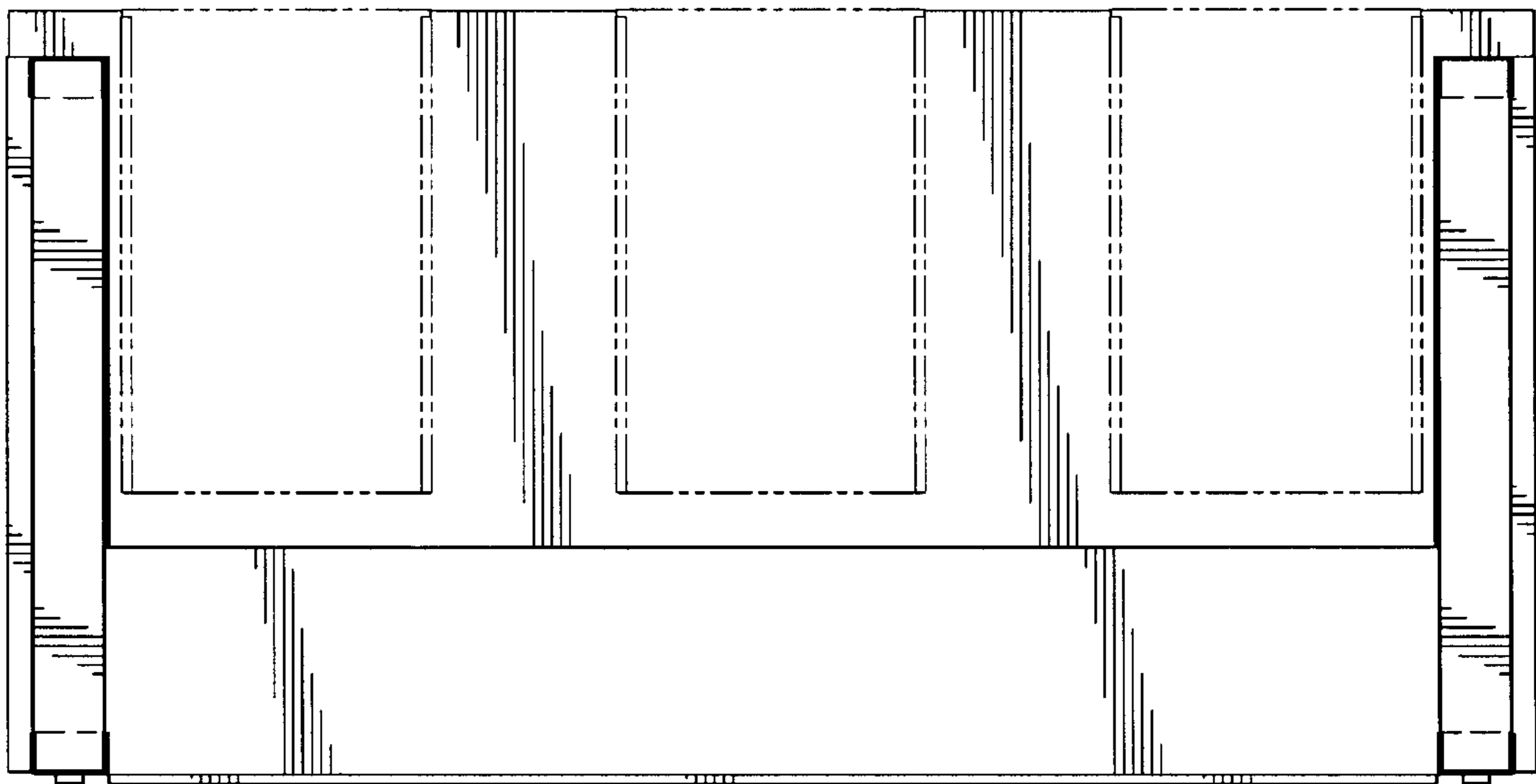


FIG. 6

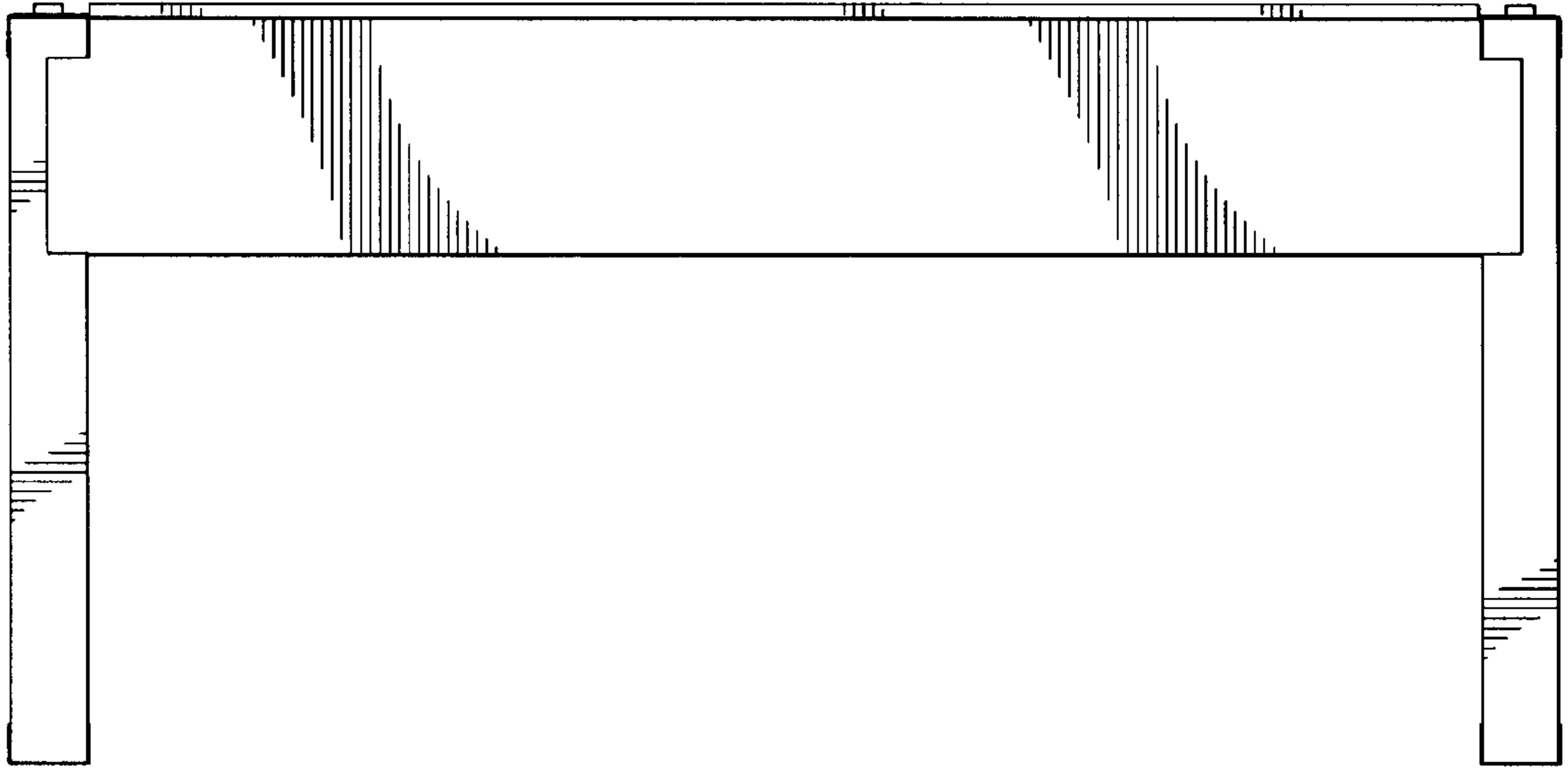


FIG. 7

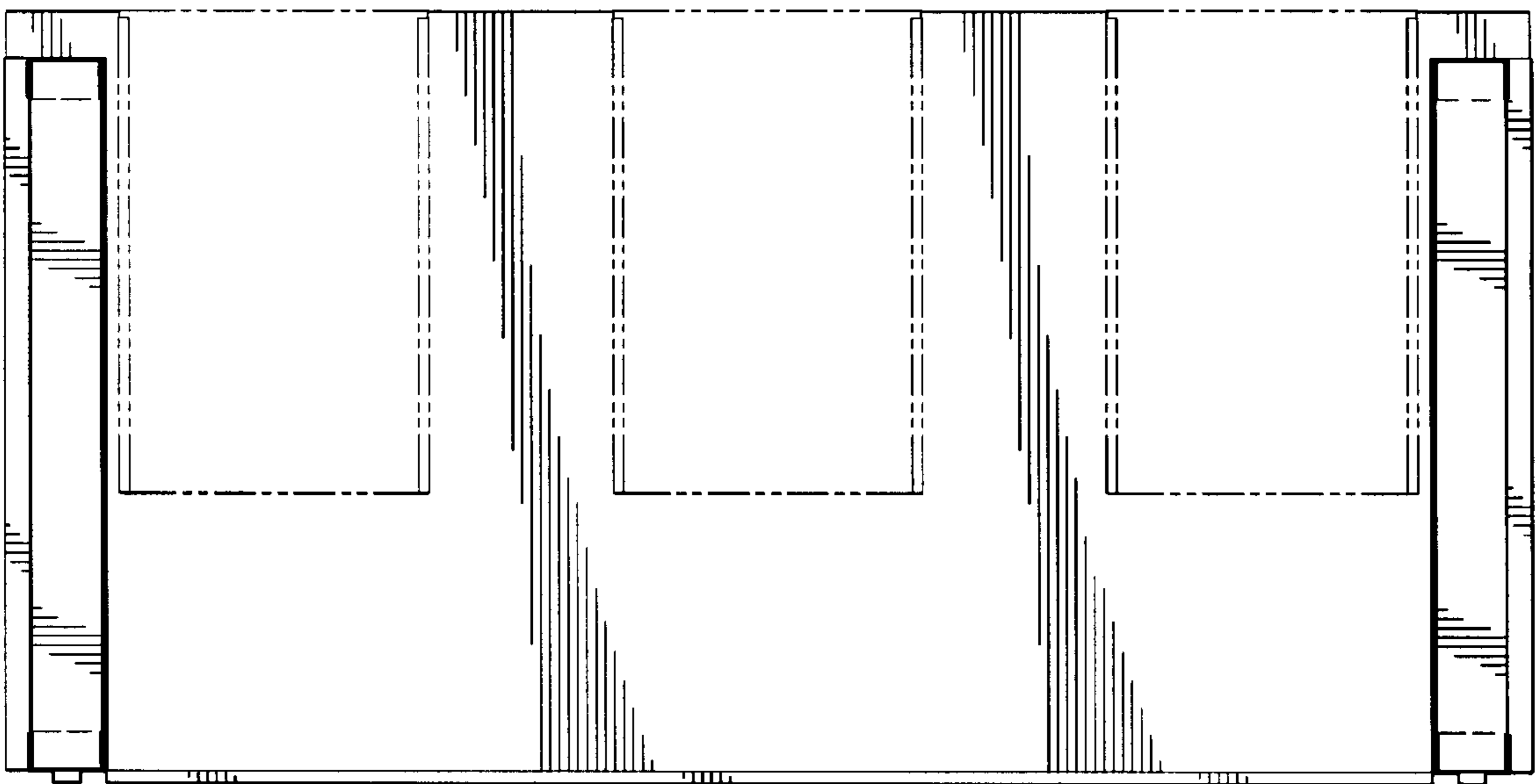


FIG. 8