



US00D479062S

(12) **United States Design Patent**
Meyer

(10) **Patent No.:** **US D479,062 S**

(45) **Date of Patent:** **** Sep. 2, 2003**

(54) **STACKABLE PALLET FOR DISPLAYING
TRANSPARENT CLAMSHELL PACKAGES
FOR PRINTERS**

(75) Inventor: **John Meyer**, Hillsboro, OR (US)

(73) Assignee: **Seiko Epson Corporation**, Tokyo (JP)

(**) Term: **14 Years**

(21) Appl. No.: **29/151,577**

(22) Filed: **Nov. 30, 2001**

(51) **LOC (7) Cl.** **06-04**

(52) **U.S. Cl.** **D6/475**

(58) **Field of Search** D6/449, 475; D9/424,
D9/432, 433; D34/38; 206/503, 509, 512,
524, 554, 557, 386, 599, 600, 750; 211/11;
108/51.11, 51.3, 54.1, 55.1, 57.13, 57.31;
229/933, 936, 185.1, 190, 191, 194, 120.09

(56) **References Cited**

U.S. PATENT DOCUMENTS

D108,606 S	2/1938	Nagle	
3,055,573 A	* 9/1962	Carter	229/178
D256,642 S	9/1980	Lovell	
D267,918 S	* 2/1983	Lasher	D34/38
D281,484 S	11/1985	Dickes	
4,887,724 A	* 12/1989	Pielechowski et al.	211/11

5,046,607 A	* 9/1991	Focke	206/739
D328,535 S	* 8/1992	Dupre et al.	D6/475
5,275,289 A	* 1/1994	Blatt	206/513
D359,180 S	* 6/1995	Bedney	D6/475
5,704,483 A	* 1/1998	Groh	206/511
6,129,211 A	* 10/2000	Prakken et al.	206/750
6,419,090 B1	* 7/2002	Focke et al.	206/526
6,513,705 B1	* 2/2003	Sheffer	206/509

* cited by examiner

Primary Examiner—Cathron C. Brooks

(74) *Attorney, Agent, or Firm*—Mark P. Watson

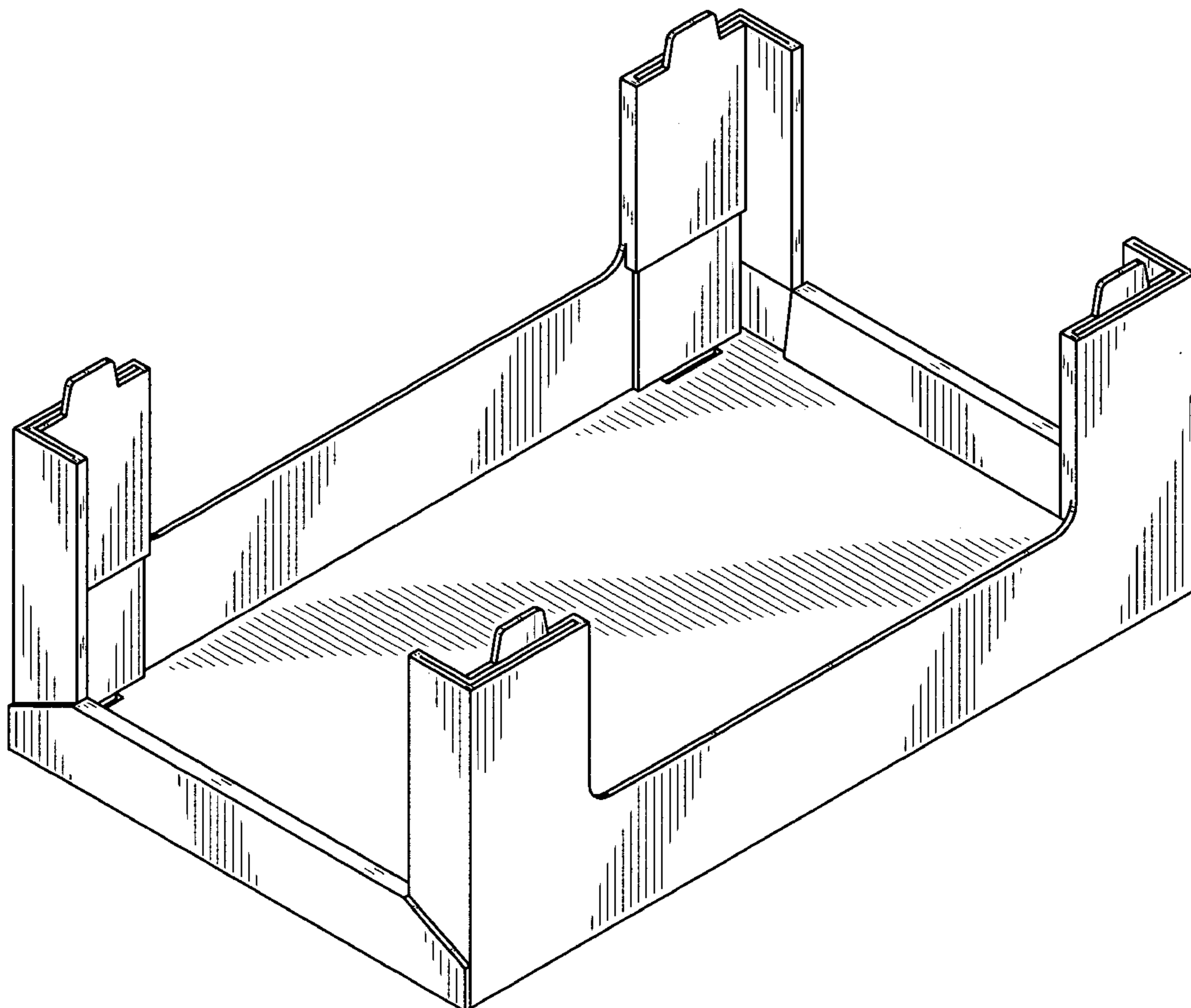
(57) **CLAIM**

The ornamental design for a stackable pallet for displaying transparent clamshell packages for printers, as shown and described.

DESCRIPTION

FIG. 1 is an upper right front perspective view;
FIG. 2 is a front elevational view, the rear view being identical;
FIG. 3 is a right side elevational view, the left side being identical;
FIG. 4 is a top plan view;
FIG. 5 is a bottom plan view; and,
FIG. 6 is an upper right front perspective view of a plurality of the stackable pallets of the present invention.

1 Claim, 6 Drawing Sheets



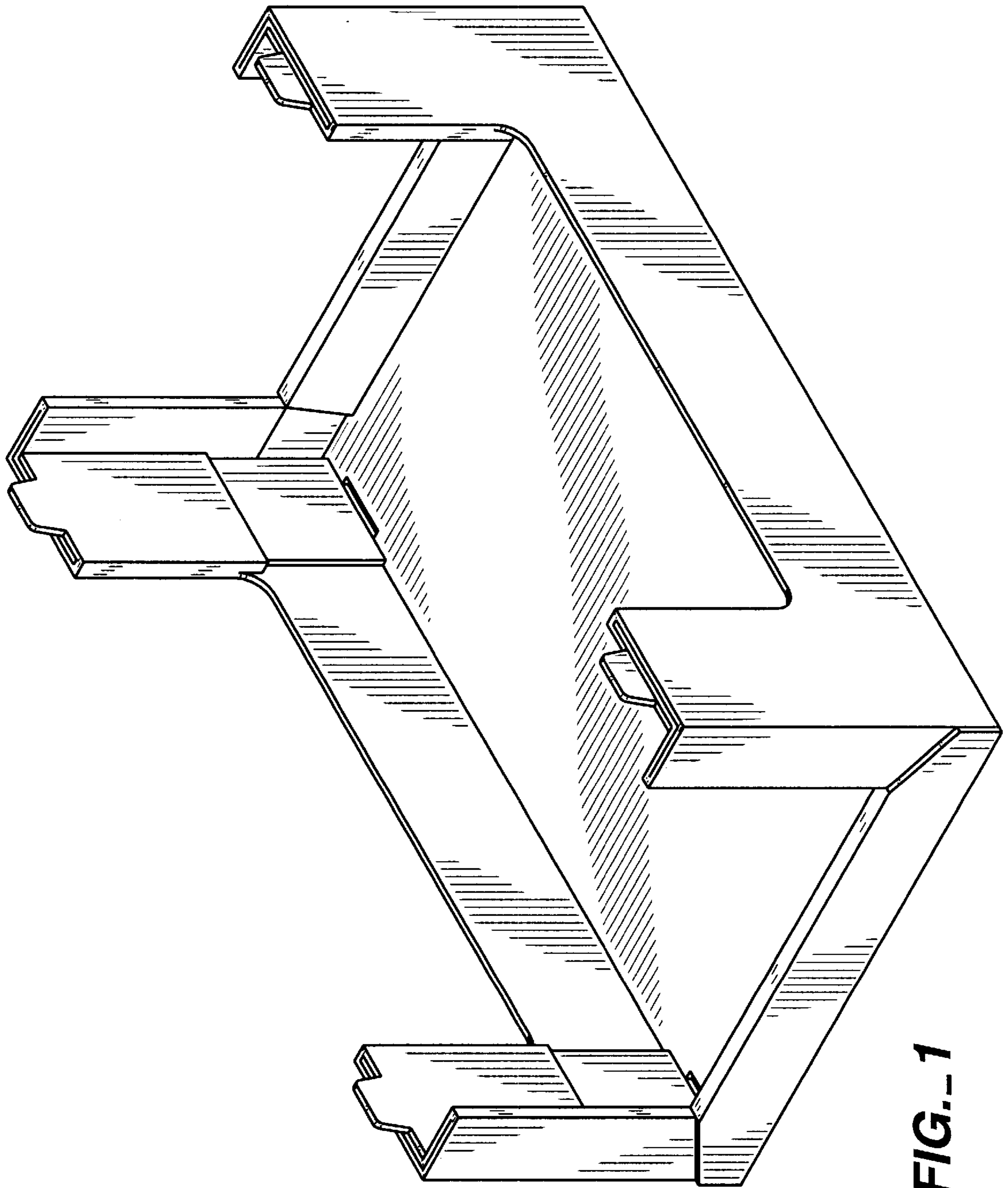


FIG. 1

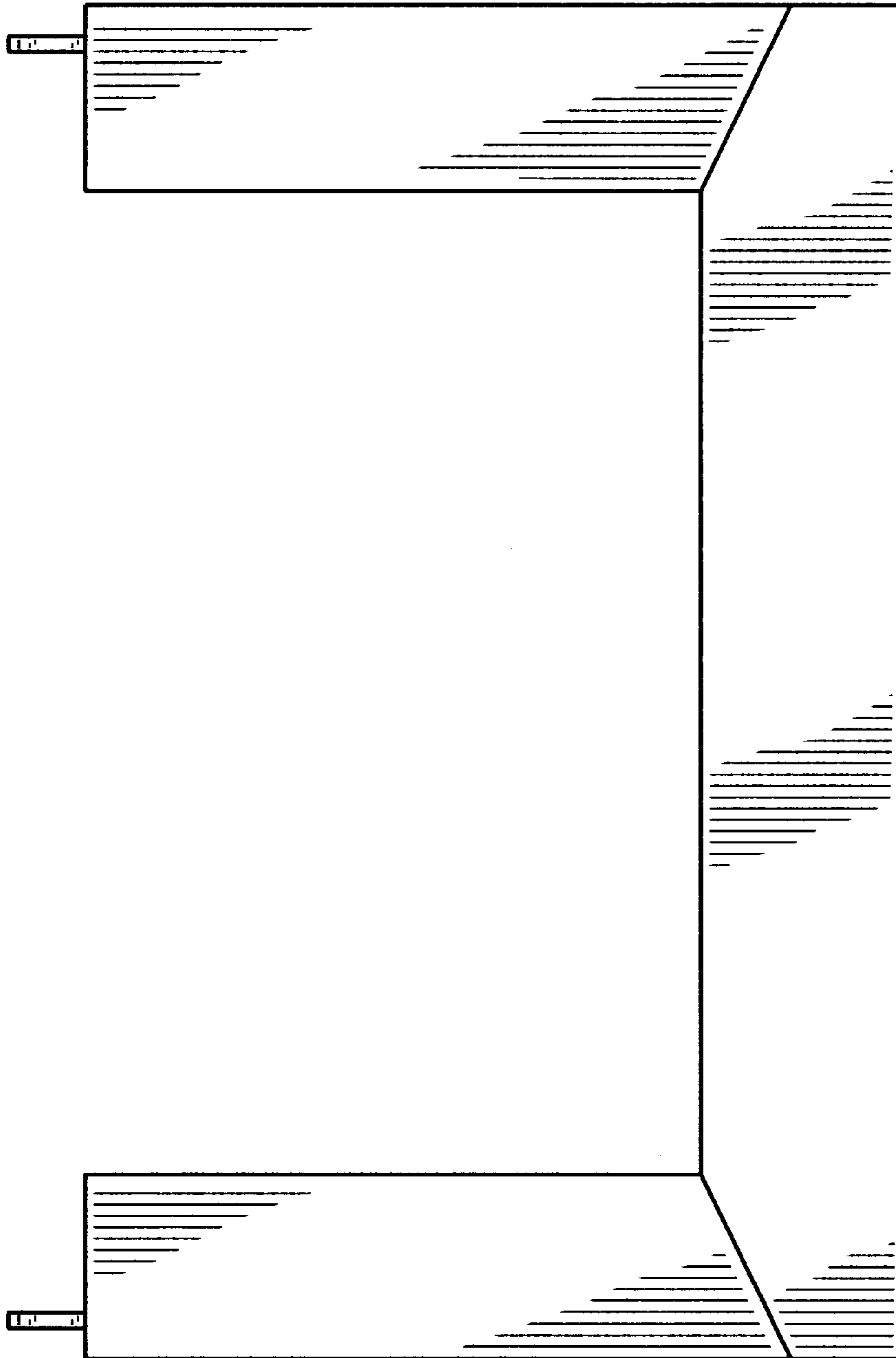


FIG.-2

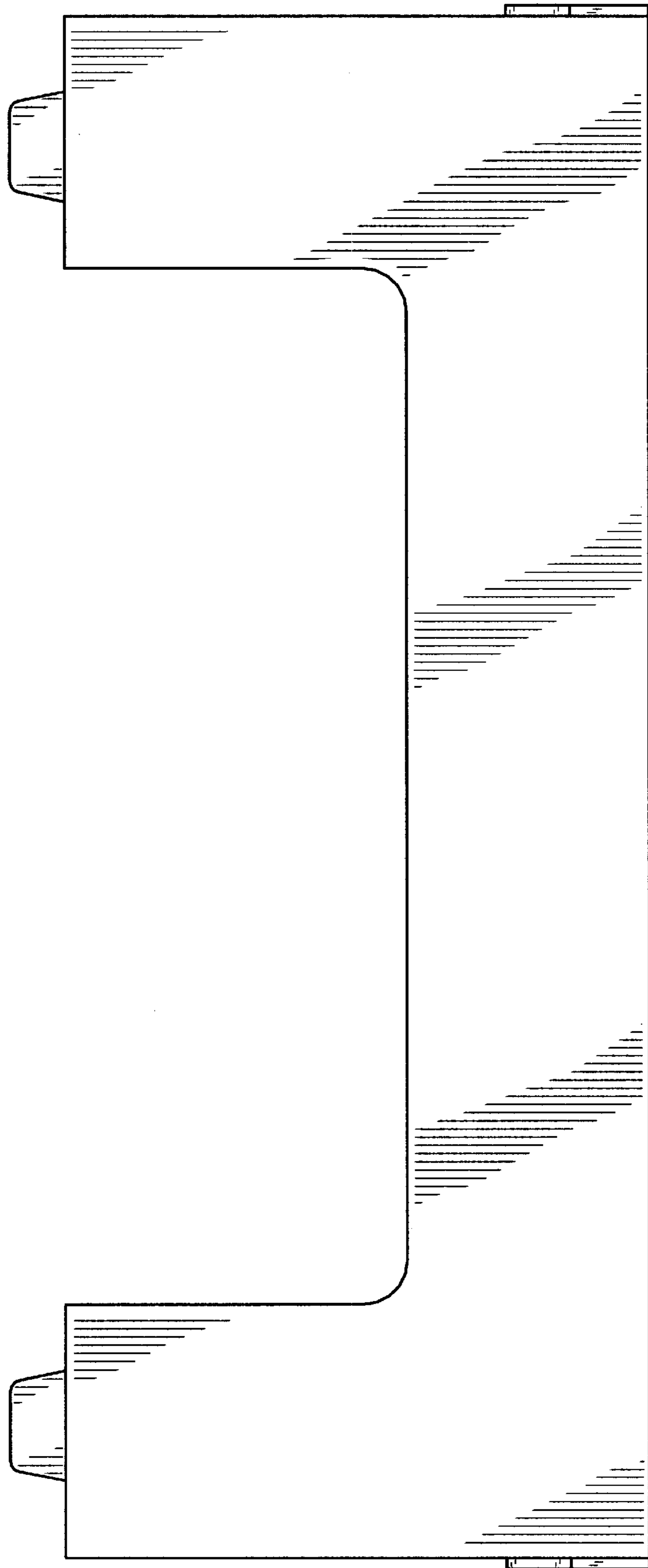


FIG. 3

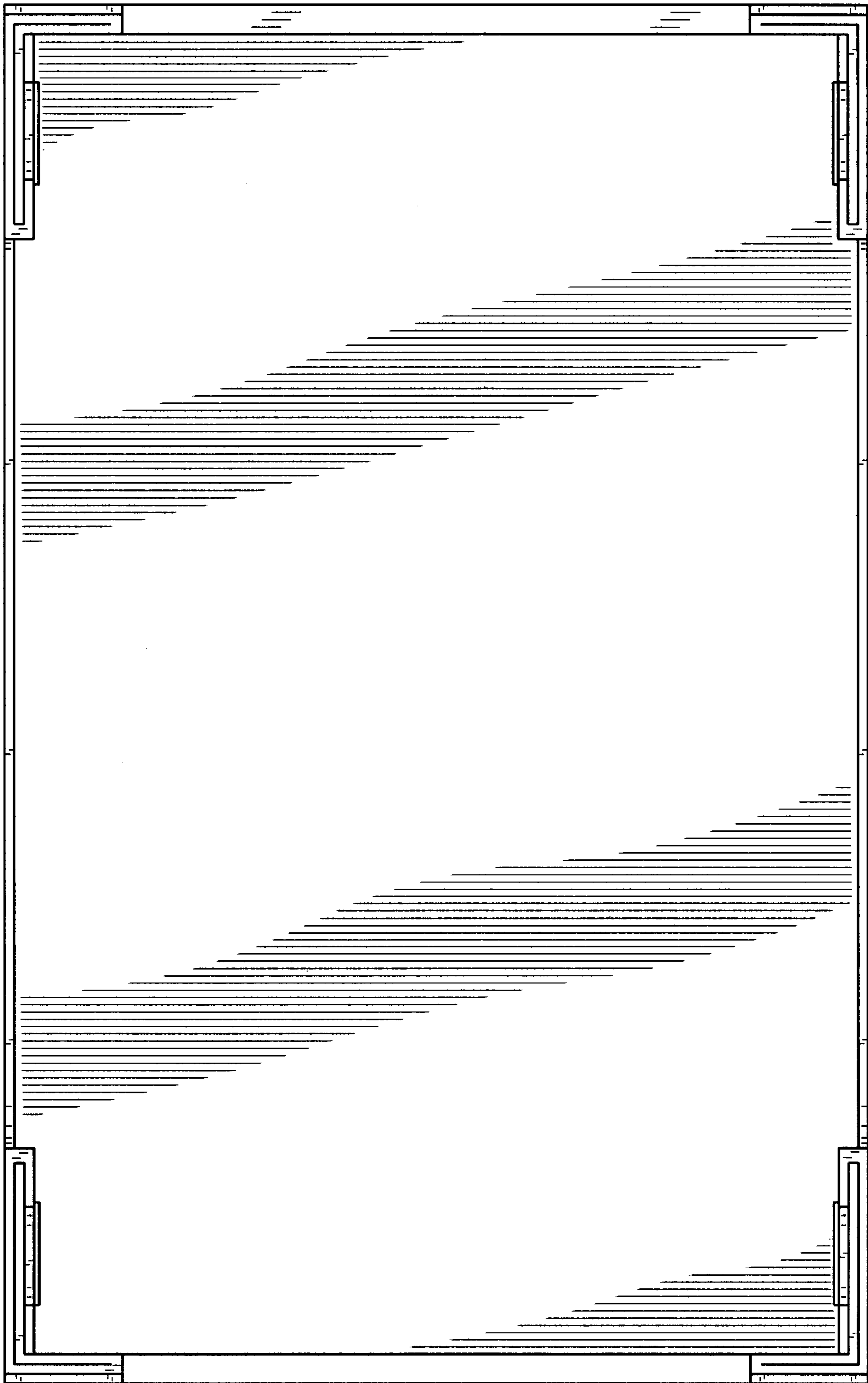


FIG. 4

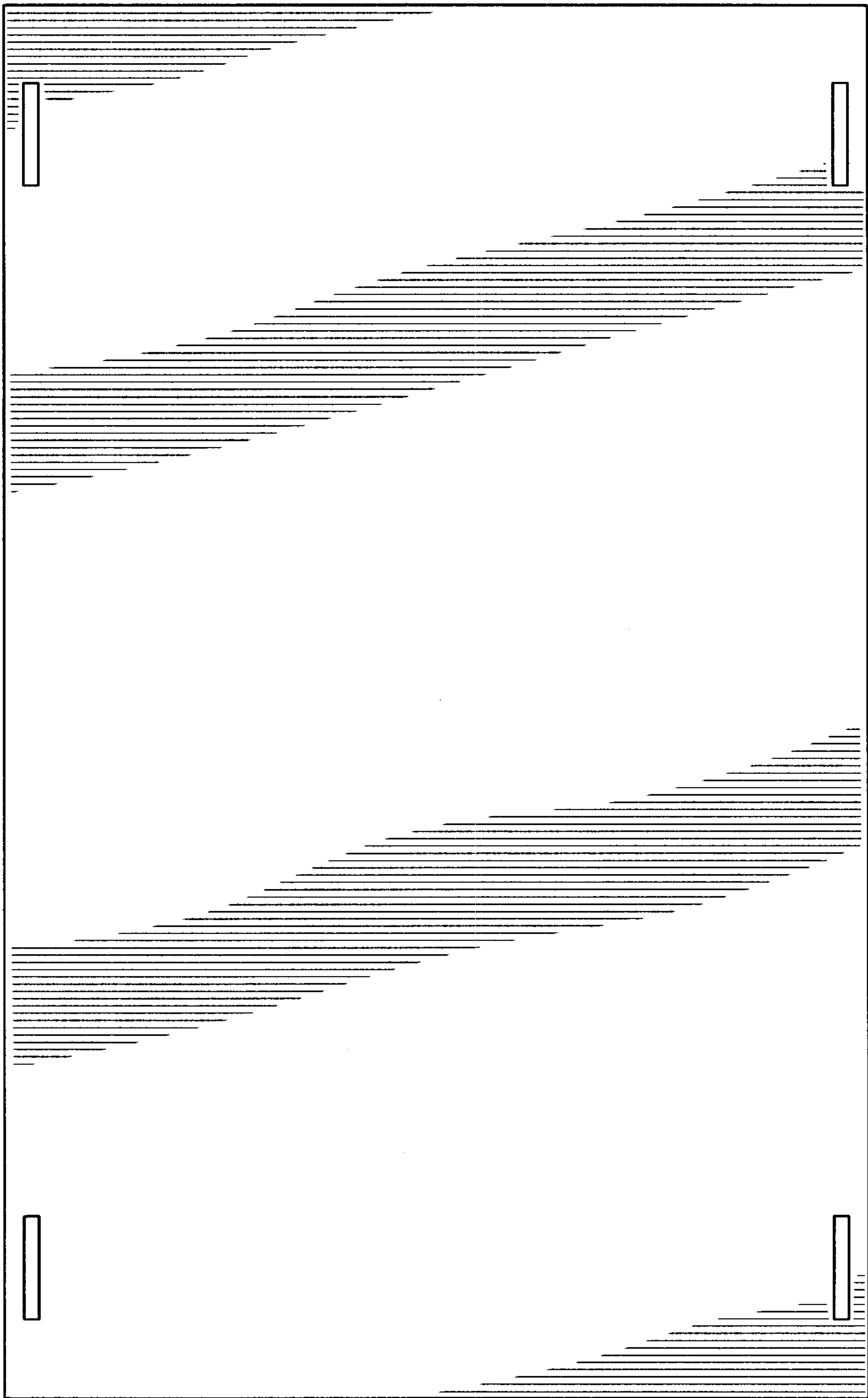


FIG. 5

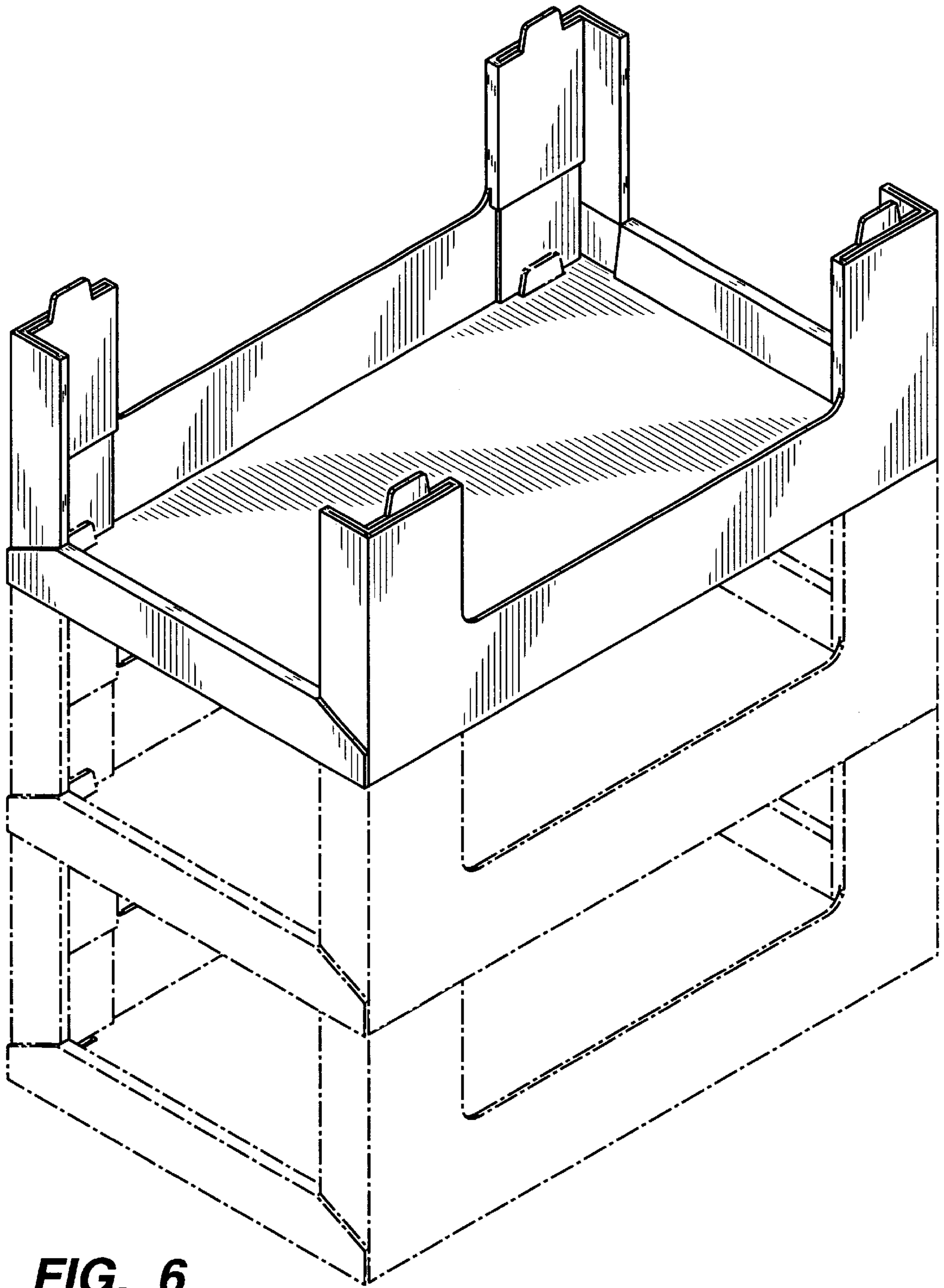


FIG. 6