



US00D479061S

(12) **United States Design Patent**
Vaaler

(10) **Patent No.:** **US D479,061 S**

(45) **Date of Patent:** **** Sep. 2, 2003**

(54) **CURIO**

(75) **Inventor:** **Lawrence I. Vaaler**, Lenoir, NC (US)

(73) **Assignee:** **Bernhardt, L.L.C.**, Lenoir, NC (US)

(**) **Term:** **14 Years**

(21) **Appl. No.:** **29/136,587**

(22) **Filed:** **Feb. 2, 2001**

(51) **LOC (7) Cl.** **06-04**

(52) **U.S. Cl.** **D6/470**

(58) **Field of Search** D6/432-448, 470;
312/114, 138.1, 204, 224

(56) **References Cited**

U.S. PATENT DOCUMENTS

D445,601 S * 7/2001 O'Hare et al. D6/470

OTHER PUBLICATIONS

Ethan Allen, Country French Curio Cabinet, p. 259, 1994.*
Furniture Today, Curio Cabinet upper left corner, p. 11, Aug.
13, 2001.*

* cited by examiner

Primary Examiner—Cathron C. Brooks

(74) *Attorney, Agent, or Firm*—MacCord Mason PLLC

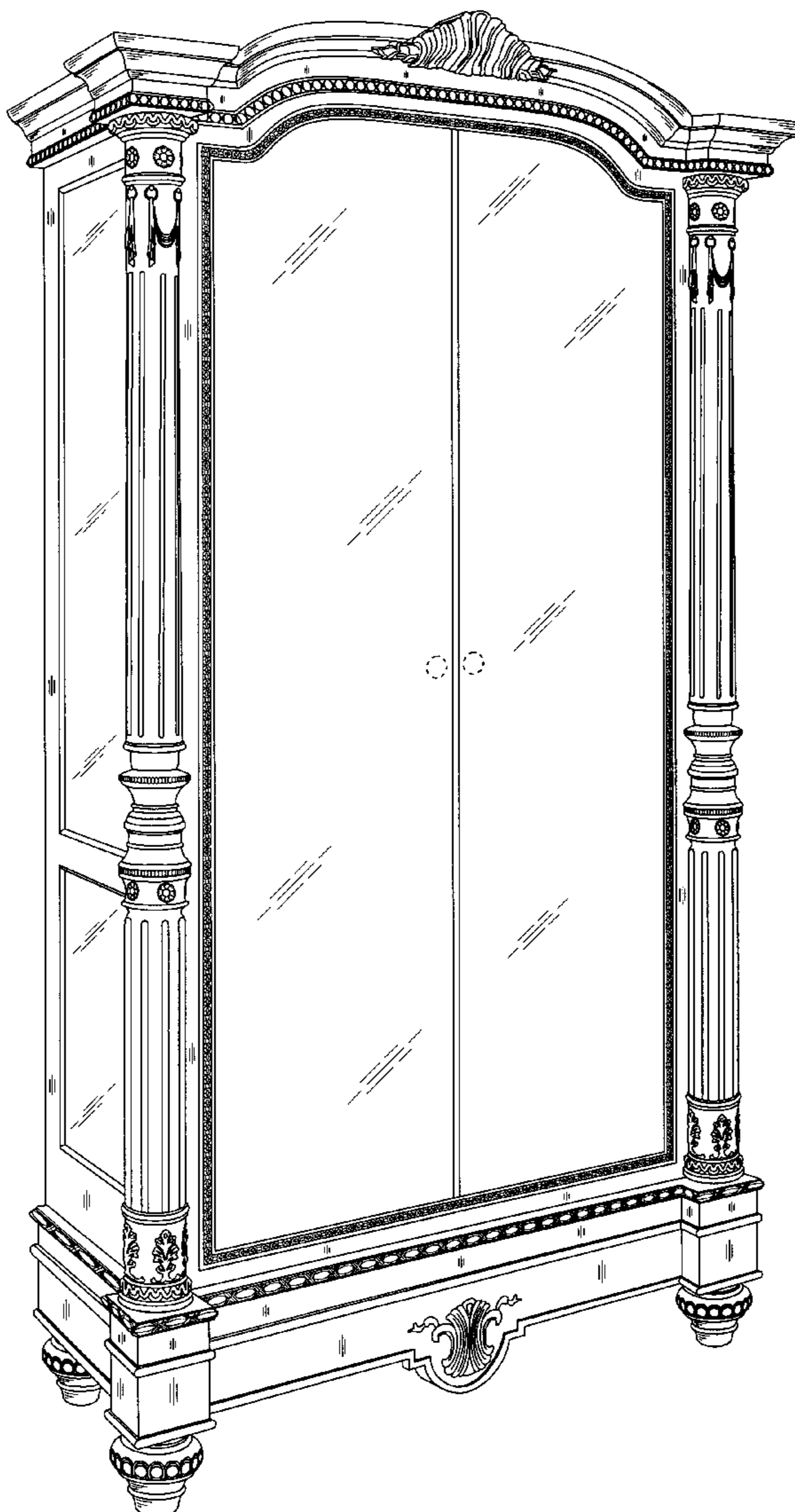
(57) **CLAIM**

The ornamental design for a curio, as shown and described.

DESCRIPTION

FIG. 1 is a left front perspective view of a curio showing my
new design;
FIG. 2 is a side view, the opposite side being a mirror image
thereof; and,
FIG. 3 is a front perspective view thereof.

1 Claim, 3 Drawing Sheets



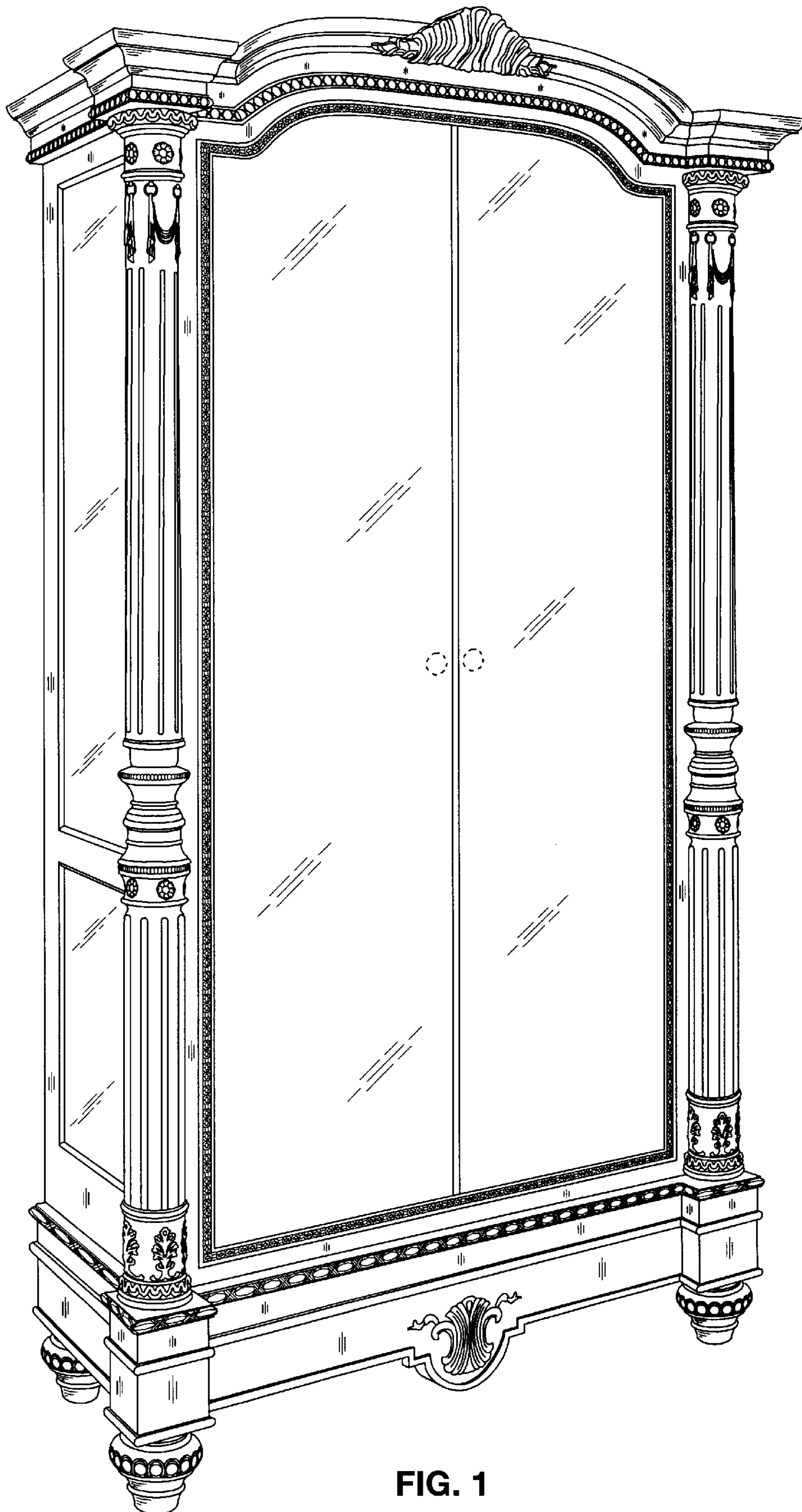


FIG. 1

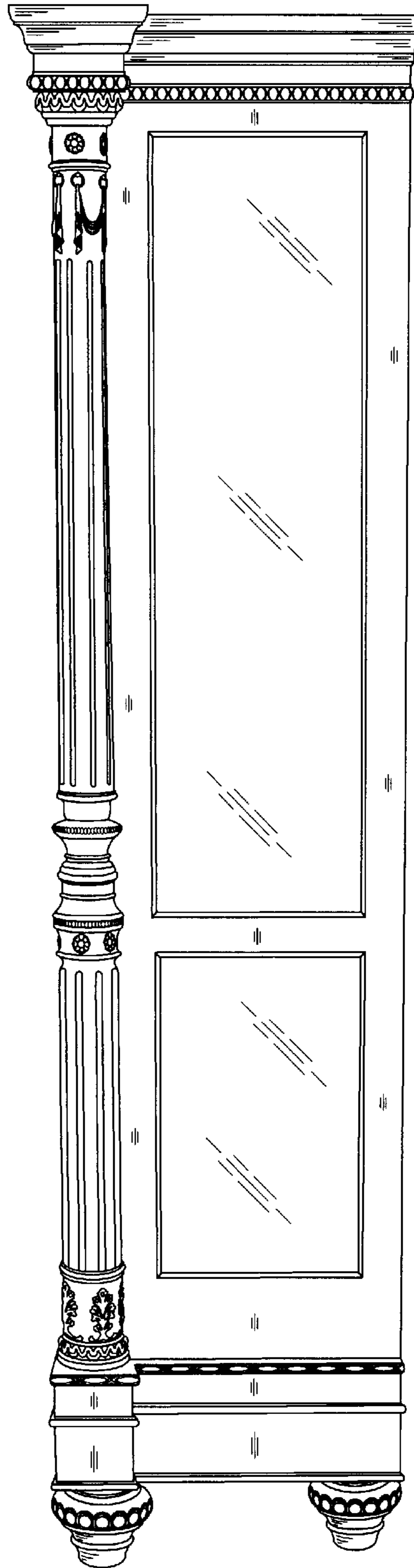


FIG. 2

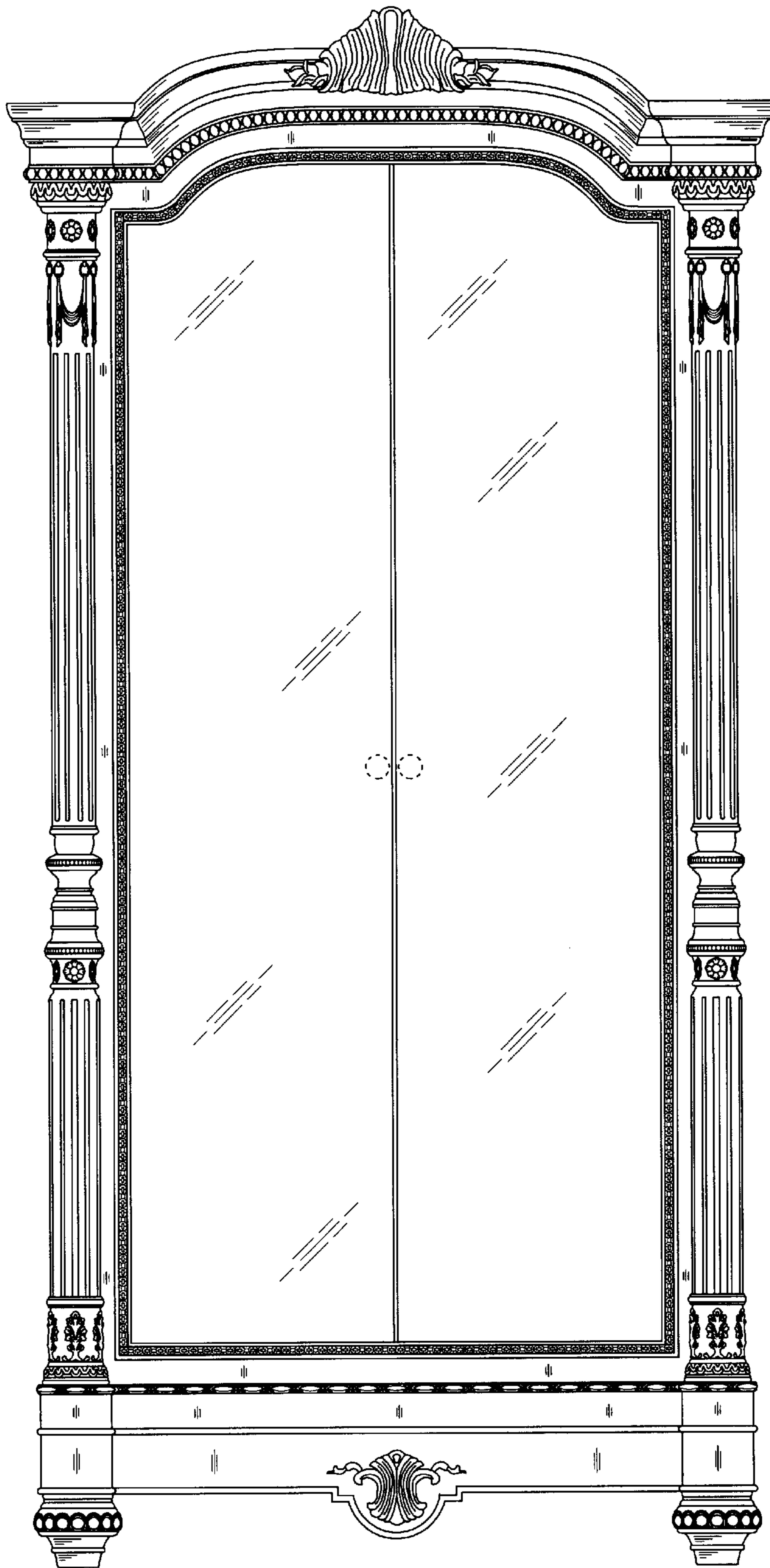


FIG. 3