



US00D479059S

(12) **United States Design Patent**
Lucht

(10) **Patent No.:** **US D479,059 S**

(45) **Date of Patent:** **** Sep. 2, 2003**

(54) **MODULAR AND COLLAPSIBLE
MERCHANDISE DISPLAY RACK**

Primary Examiner—Cathron C. Brooks
(74) *Attorney, Agent, or Firm*—Leydig, Voit & Mayer, Ltd.

(75) **Inventor:** **Wayne Lucht**, Bedford Park, IL (US)

(57) **CLAIM**

(73) **Assignee:** **Midway Displays, Inc.**, Bedford Park, IL (US)

The ornamental design for a modular and collapsible merchandise display rack, as shown and described.

(**) **Term:** **14 Years**

DESCRIPTION

(21) **Appl. No.:** **29/164,812**

FIG. 1 is a perspective view of a modular and collapsible merchandise display rack showing my new design;

(22) **Filed:** **Jul. 30, 2002**

FIG. 2 is a plan view of a collapsed section thereof, shown separately for completeness of illustration;

(51) **LOC (7) Cl.** **06-04**

(52) **U.S. Cl.** **D6/458**

FIG. 3 is a right side view of an opened section thereof, shown separately for completeness of illustration;

(58) **Field of Search** D6/396, 397, 436,
D6/437, 411, 415, 449, 455-469; 108/59,
91, 92, 93, 94; 211/11, 13.1, 85.1, 85.2,
85.4, 70, 78, 107, 131.1, 133.2, 163, 164,
181.1, 182

FIG. 4 is a left side view of an opened section thereof, shown separately for completeness of illustration;

FIG. 5 is a top plan view thereof;

FIG. 6 is a bottom plan view thereof;

(56) **References Cited**

U.S. PATENT DOCUMENTS

D85,303 S	*	10/1931	Peterson	D6/457
3,924,749 A	*	12/1975	Weston	211/4
D255,186 S	*	6/1980	Hupalowsky	D6/458
D343,971 S	*	2/1994	McClave	D6/455
D376,929 S	*	12/1996	Tranquilli	D6/411
D420,836 S	*	2/2000	Bustos et al.	D6/462

FIG. 7 is a perspective view of an alternative form thereof;
FIG. 8 is a perspective view of another alternative form thereof;

FIG. 9 is a perspective view of a further alternative form thereof; and,

FIG. 10 is a collapsed section of the further alternative form thereof, shown separately for completeness of illustration.

The broken lines illustrated in FIGS. 1, 7, 8, 9 and 10 are for illustrative purposes only and form no part of the claimed design.

FOREIGN PATENT DOCUMENTS

DE 3542495 A1 * 6/1987 6/4

* cited by examiner

1 Claim, 10 Drawing Sheets

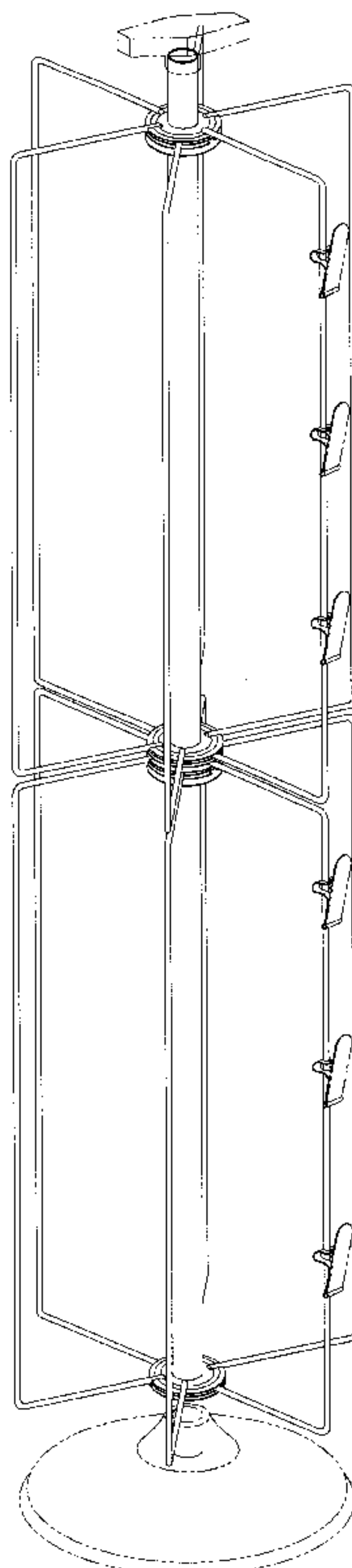


FIG. 1

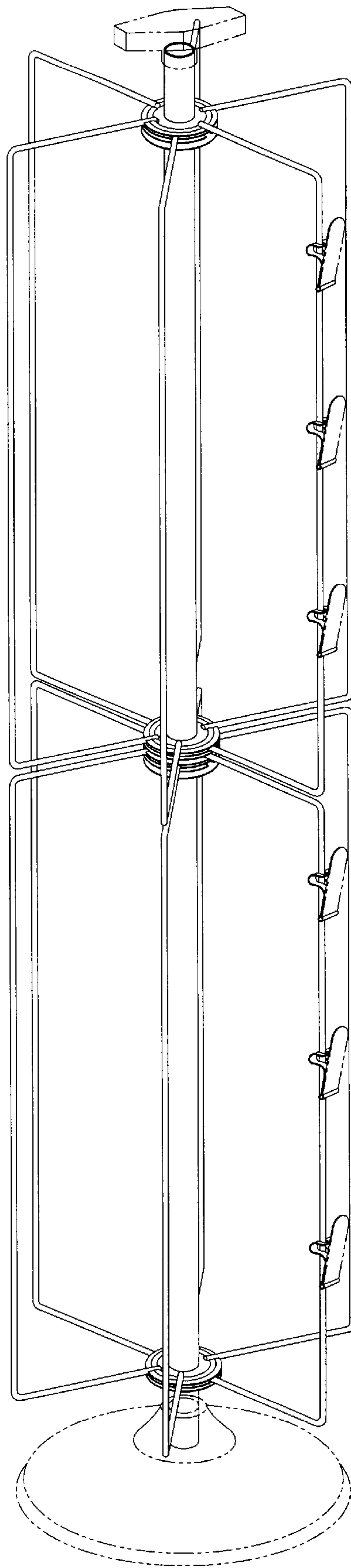


FIG. 2

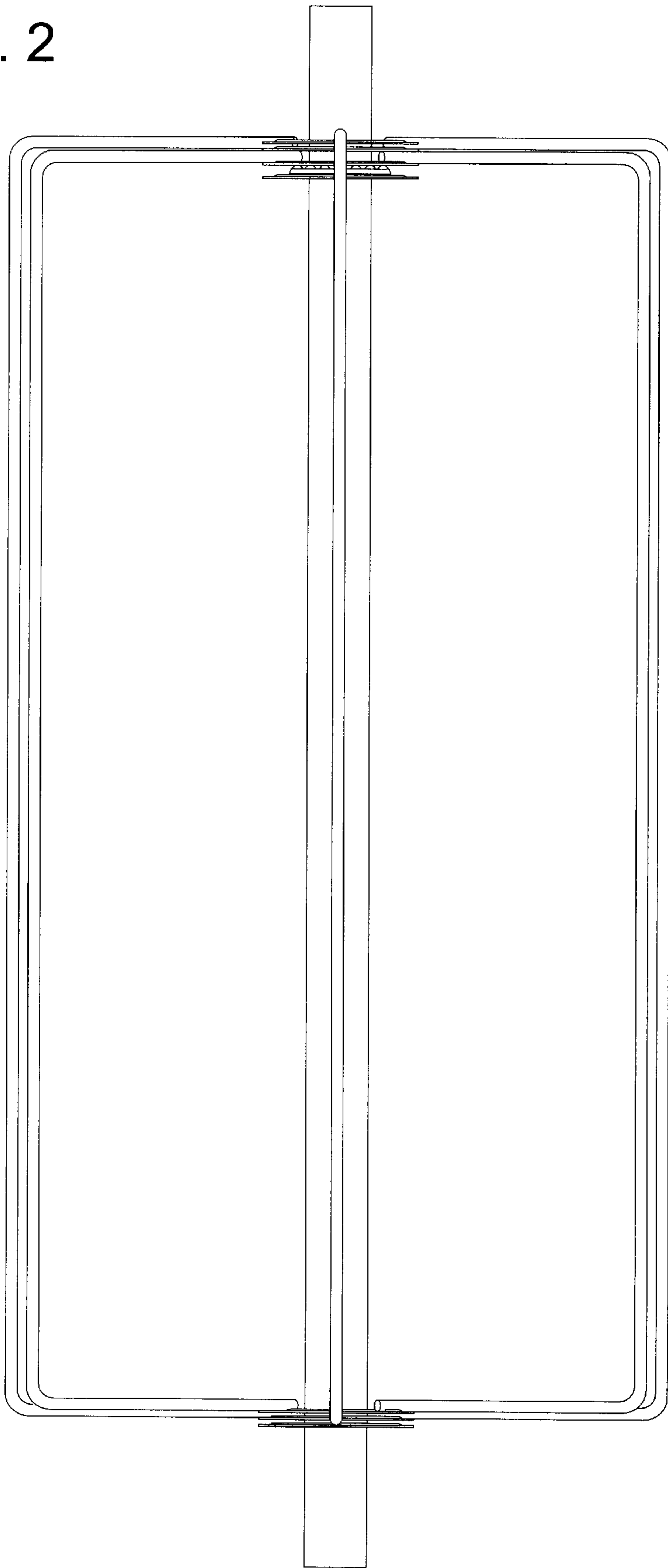


FIG. 3

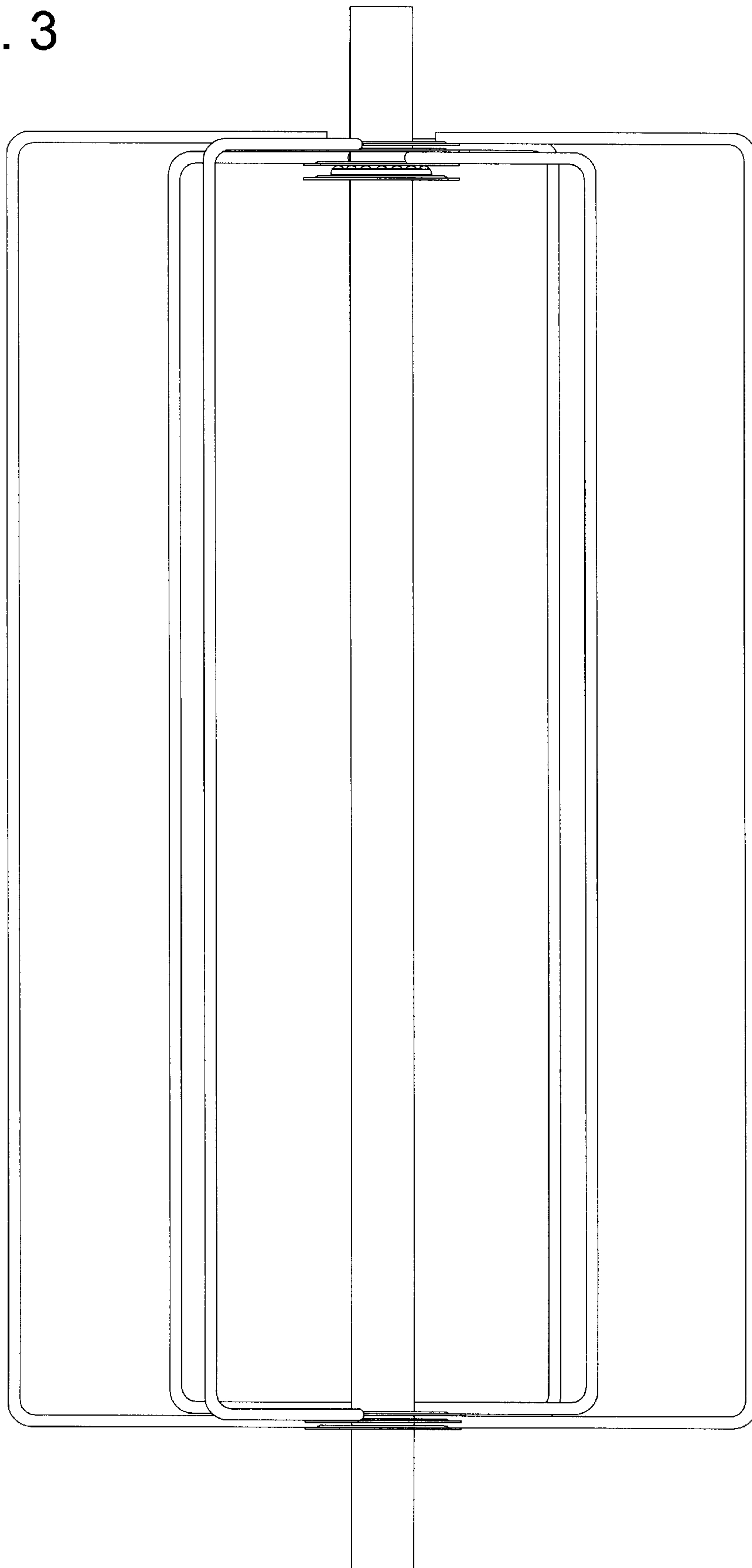


FIG. 4

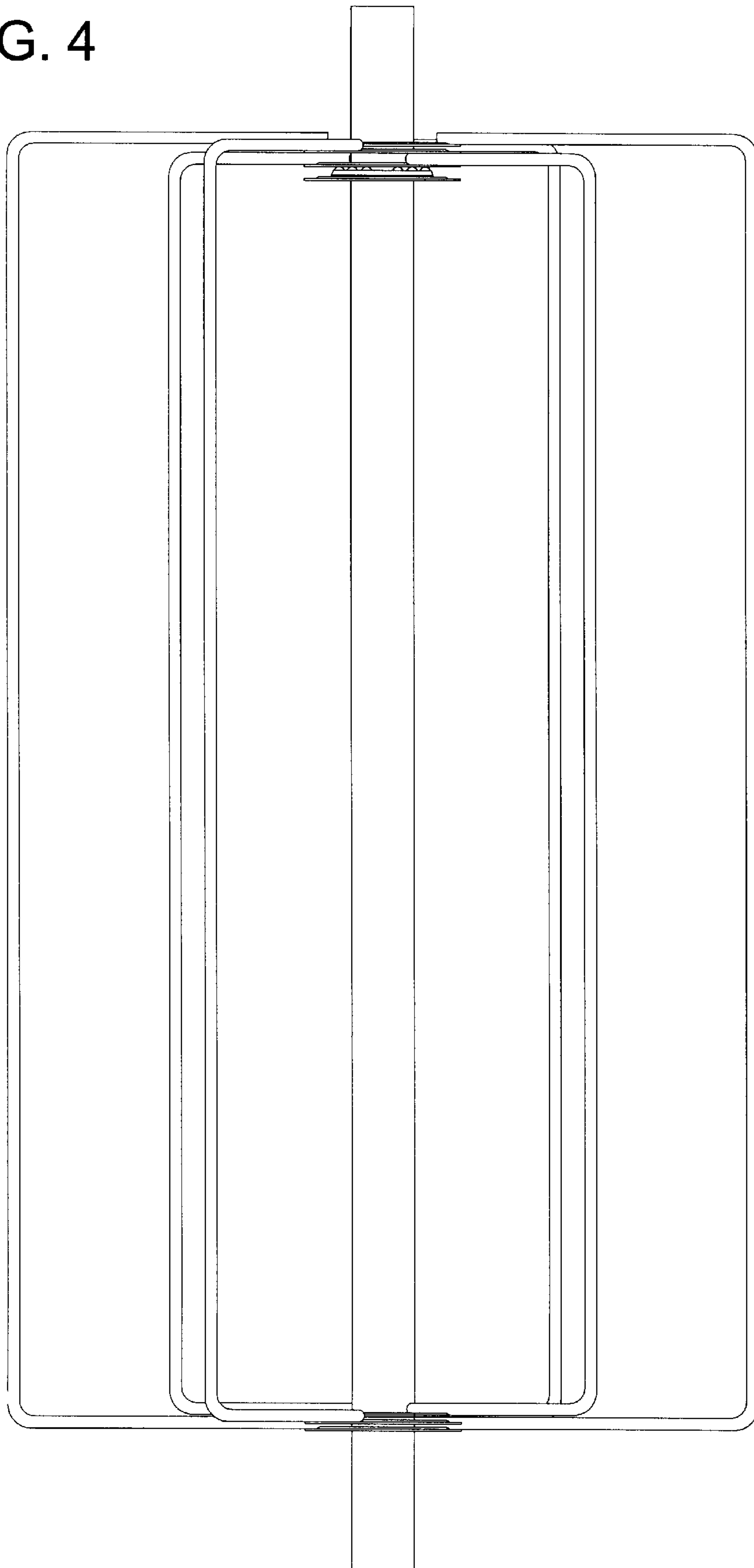


FIG. 5

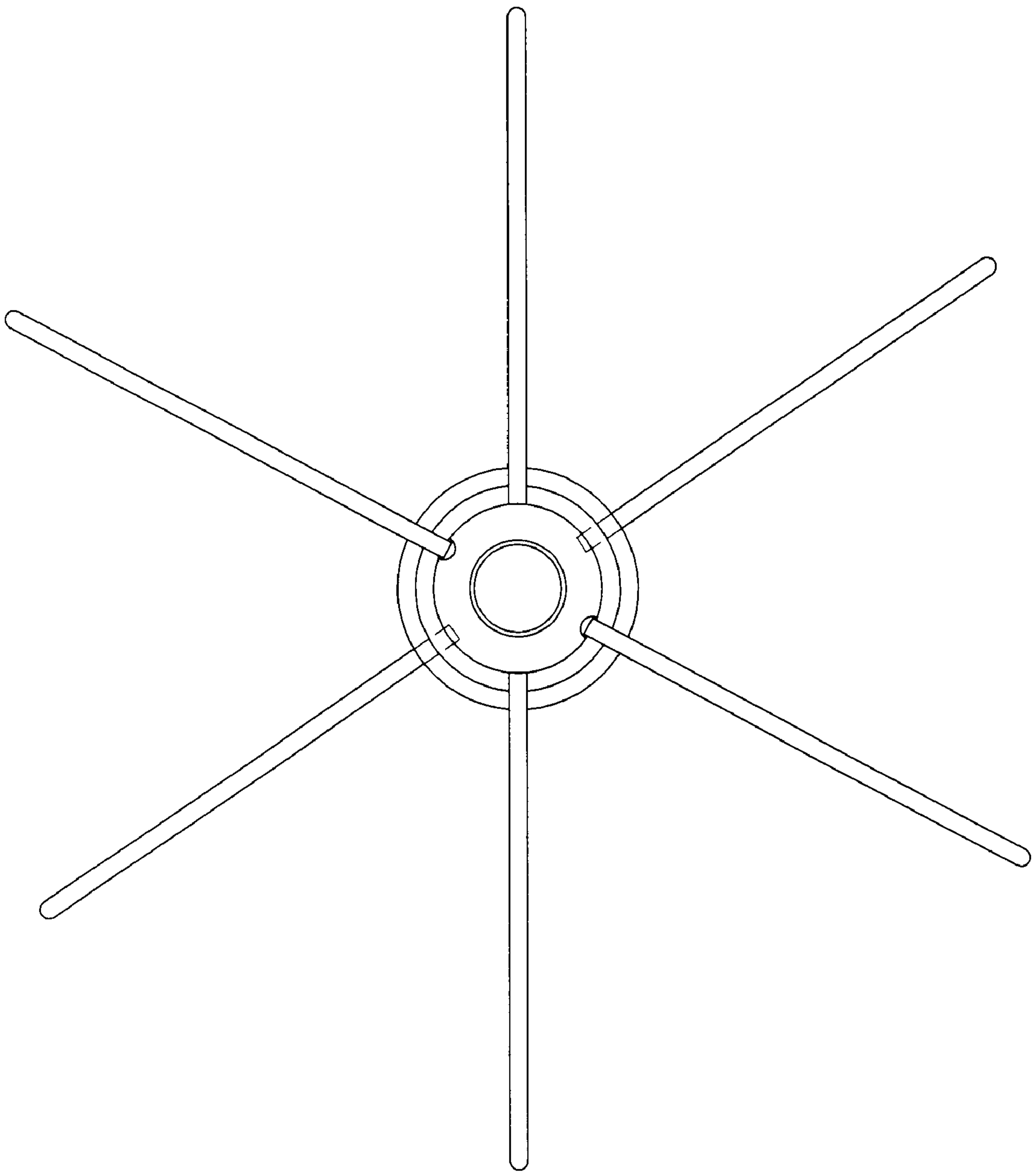


FIG.6

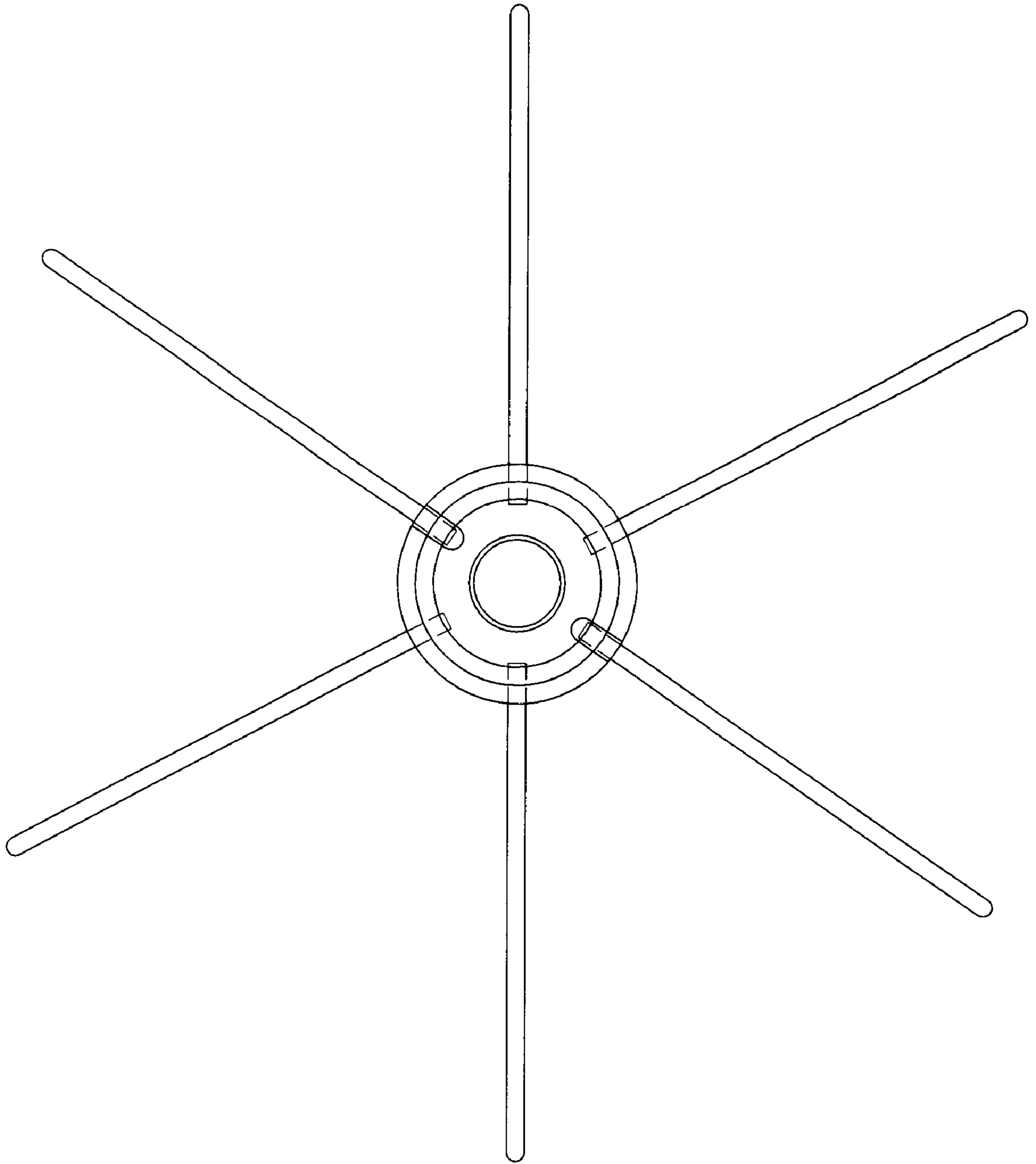


FIG. 7

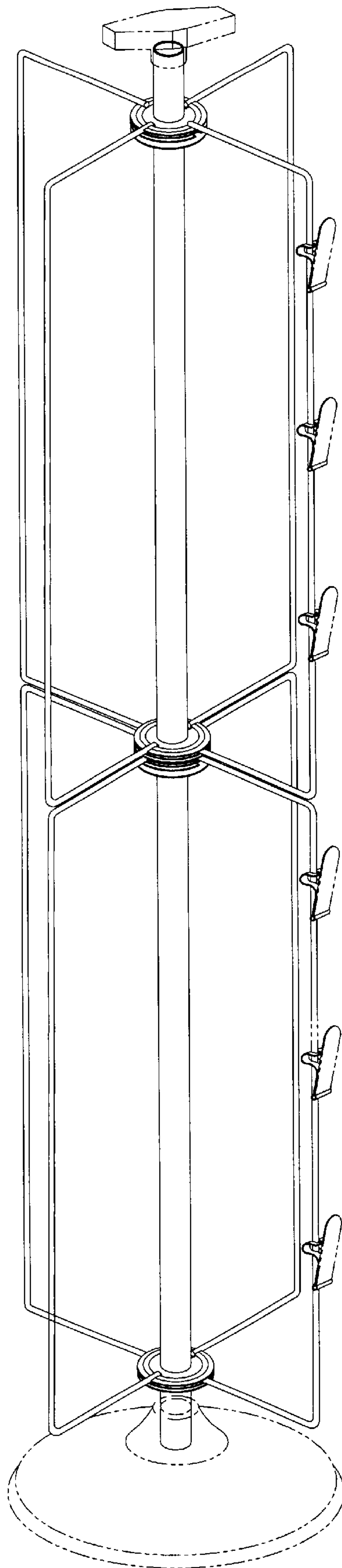


FIG. 8

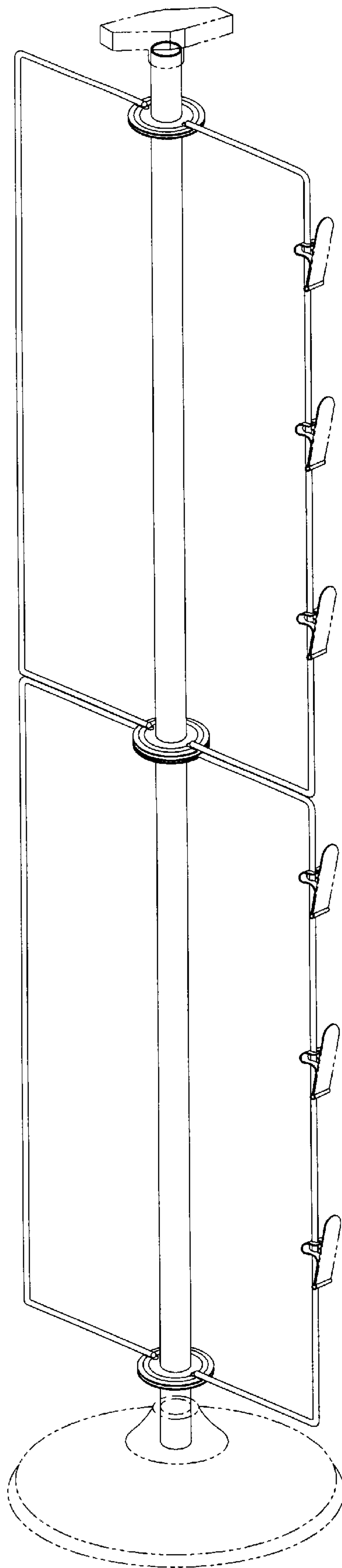


FIG. 9

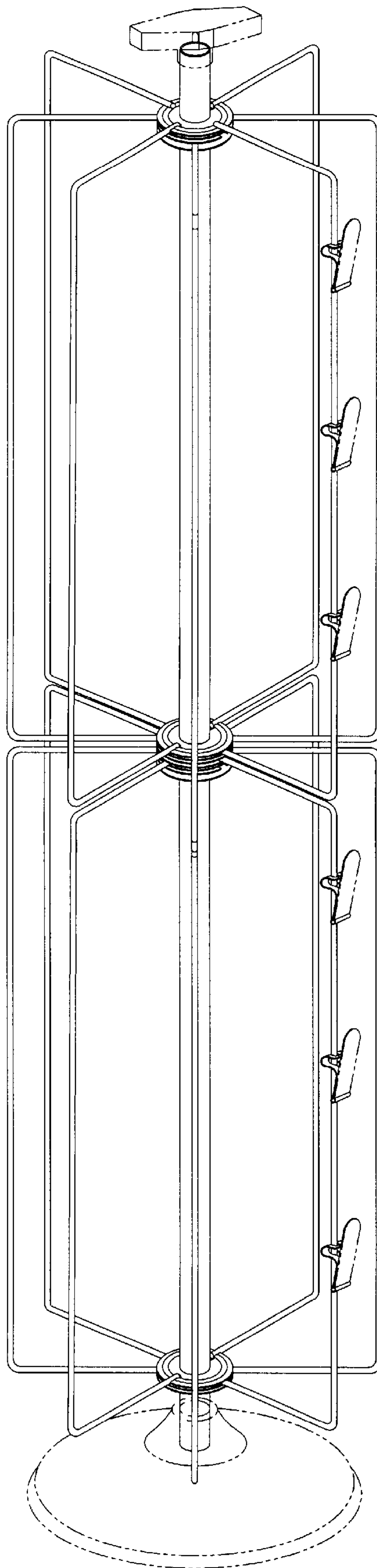


FIG. 10

