



US00D479056S

(12) **United States Design Patent**
Vaaler

(10) **Patent No.:** **US D479,056 S**

(45) **Date of Patent:** **** Sep. 2, 2003**

(54) **BED**

(75) Inventor: **Lawrence I. Vaaler**, Lenoir, NC (US)

(73) Assignee: **Bernhardt, L.L.C.**, Lenoir, NC (US)

(**) Term: **14 Years**

(21) Appl. No.: **29/177,095**

(22) Filed: **Mar. 4, 2003**

(51) **LOC (7) Cl.** **06-01**

(52) **U.S. Cl.** **D6/393**

(58) **Field of Search** D6/382-388, 393-395,
D6/505-508; 5/53.1, 279.1, 280, 281

(56) **References Cited**

U.S. PATENT DOCUMENTS

D351,511 S	10/1994	Ferguson	D6/334
D430,418 S	9/2000	O'Hare	D6/379
D449,939 S	* 11/2001	Vaaler	D6/393
D450,198 S	* 11/2001	McDaniel et al.	D6/393
D451,694 S	12/2001	Vaaler	D6/379
D466,329 S	* 12/2002	Risdon	D6/393
D468,923 S	1/2003	O'Hare	D6/379
D468,925 S	1/2003	Vaaler	D6/379
D470,329 S	* 2/2003	Vaaler	D6/393

OTHER PUBLICATIONS

Hooker, Jun. 1997, ornamentation at top of cabinet.*
Photocopy of Chairs & Couches by Curtis dated 1977.
Color copies of Councill Craftsman side table circa 1992 (3 views).
Photocopy of East Hampton by Thomasville date Apr. 1995.
Color copy of a bed; origin unknown, undated.

* cited by examiner

Primary Examiner—Janice E. Seeger

(74) *Attorney, Agent, or Firm*—MacCord Mason PLLC

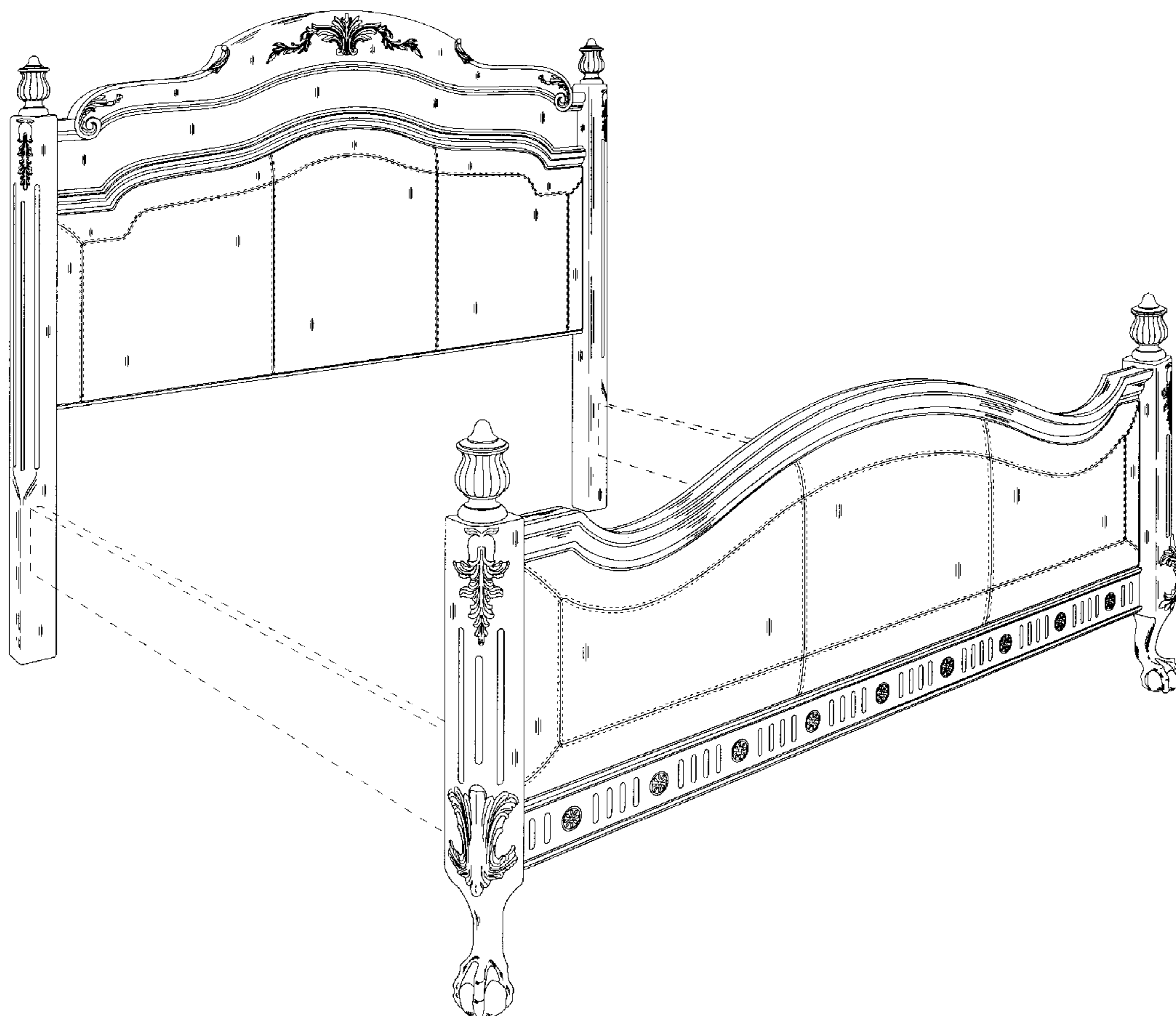
(57) **CLAIM**

The ornamental design for a bed, as shown and described.

DESCRIPTION

FIG. 1 is a front perspective view of a bed showing my new design;
FIG. 2 is an end view thereof;
FIG. 3 is a front view of the headboard;
FIG. 4 is a front view of the footboard; and,
FIG. 5 is a side view, the opposite side being a mirror image.
The broken lines showing the bed rails are for illustrative purposes only and form no part of the claimed design.

1 Claim, 5 Drawing Sheets



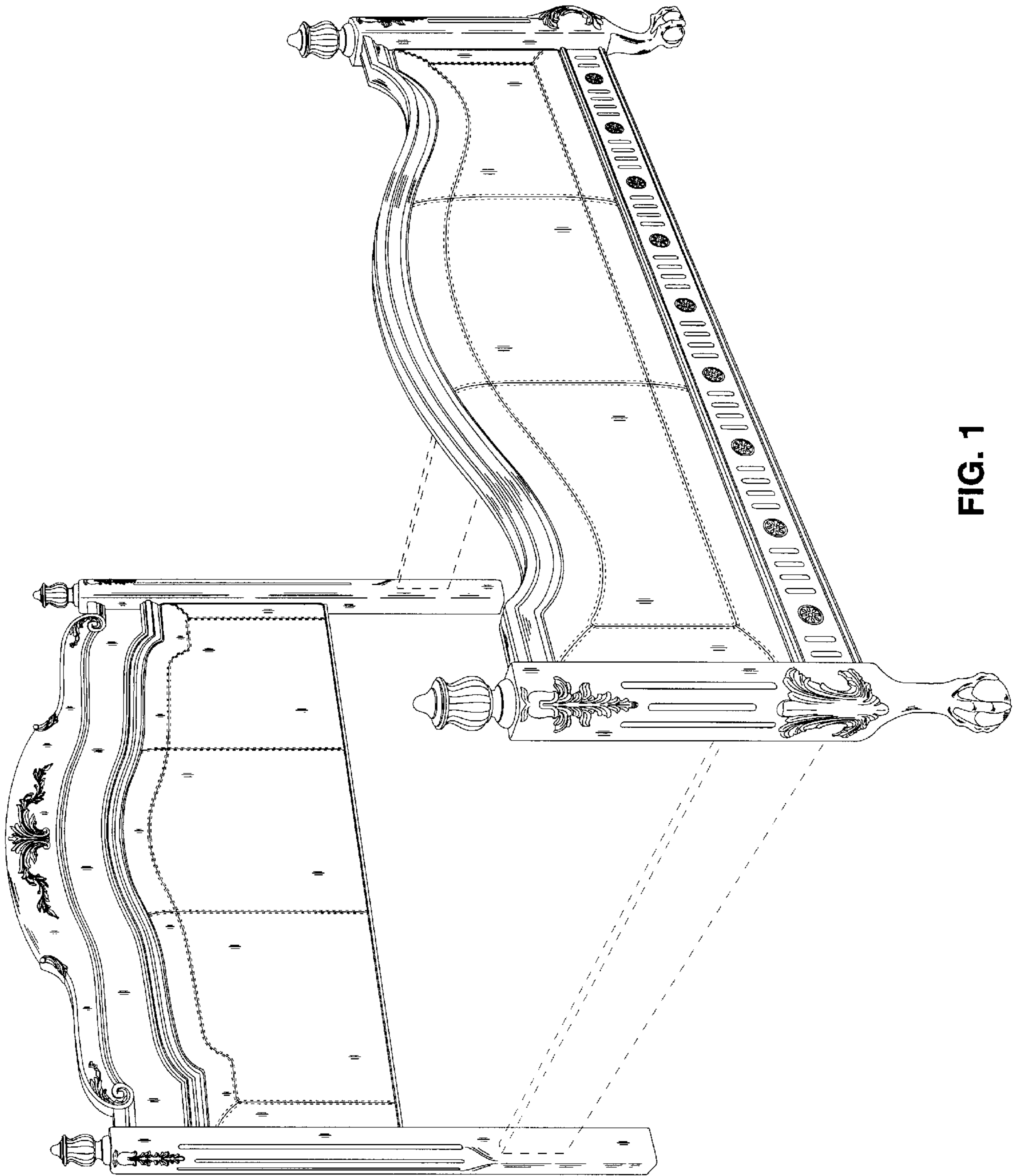


FIG. 1

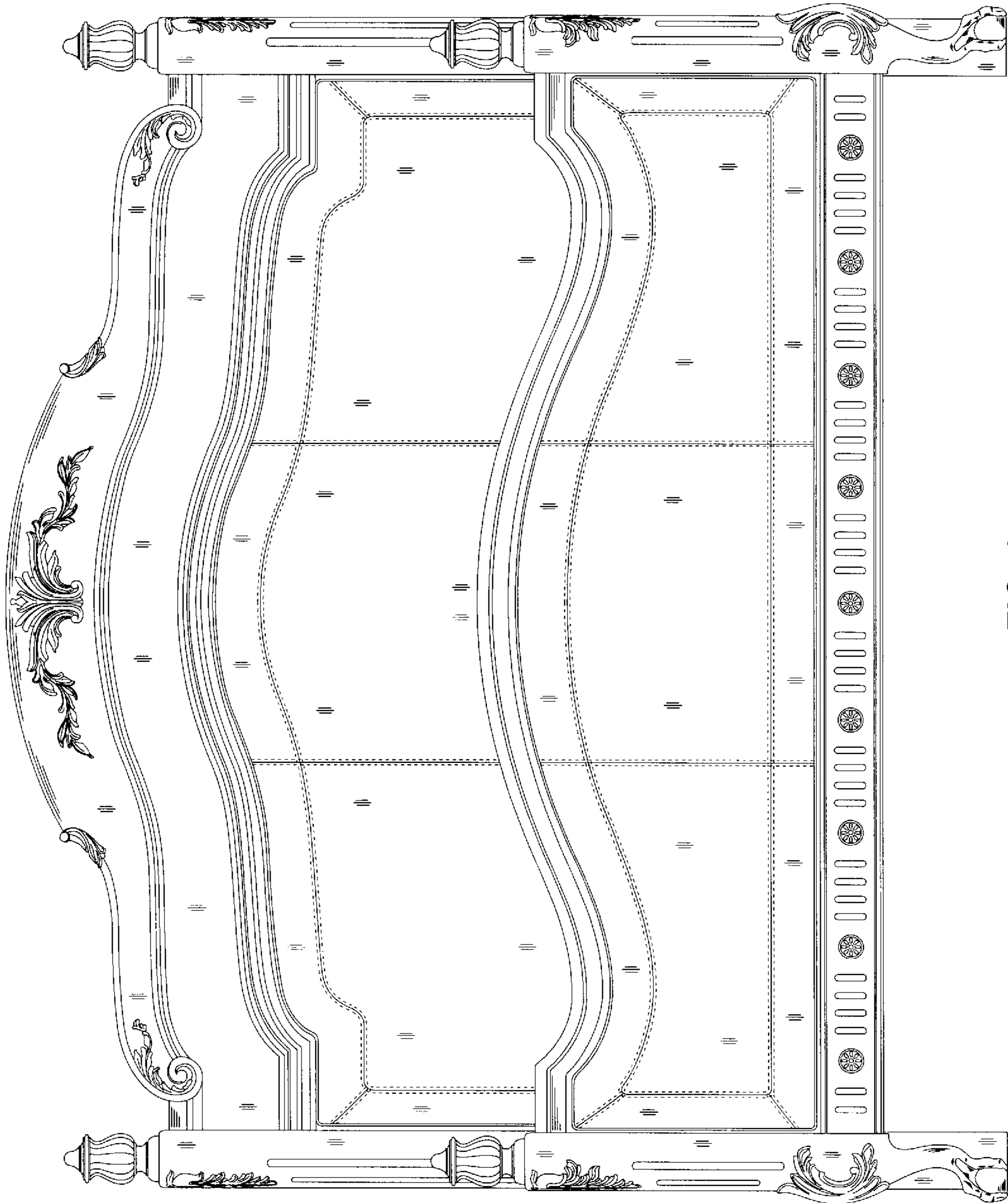


FIG. 2

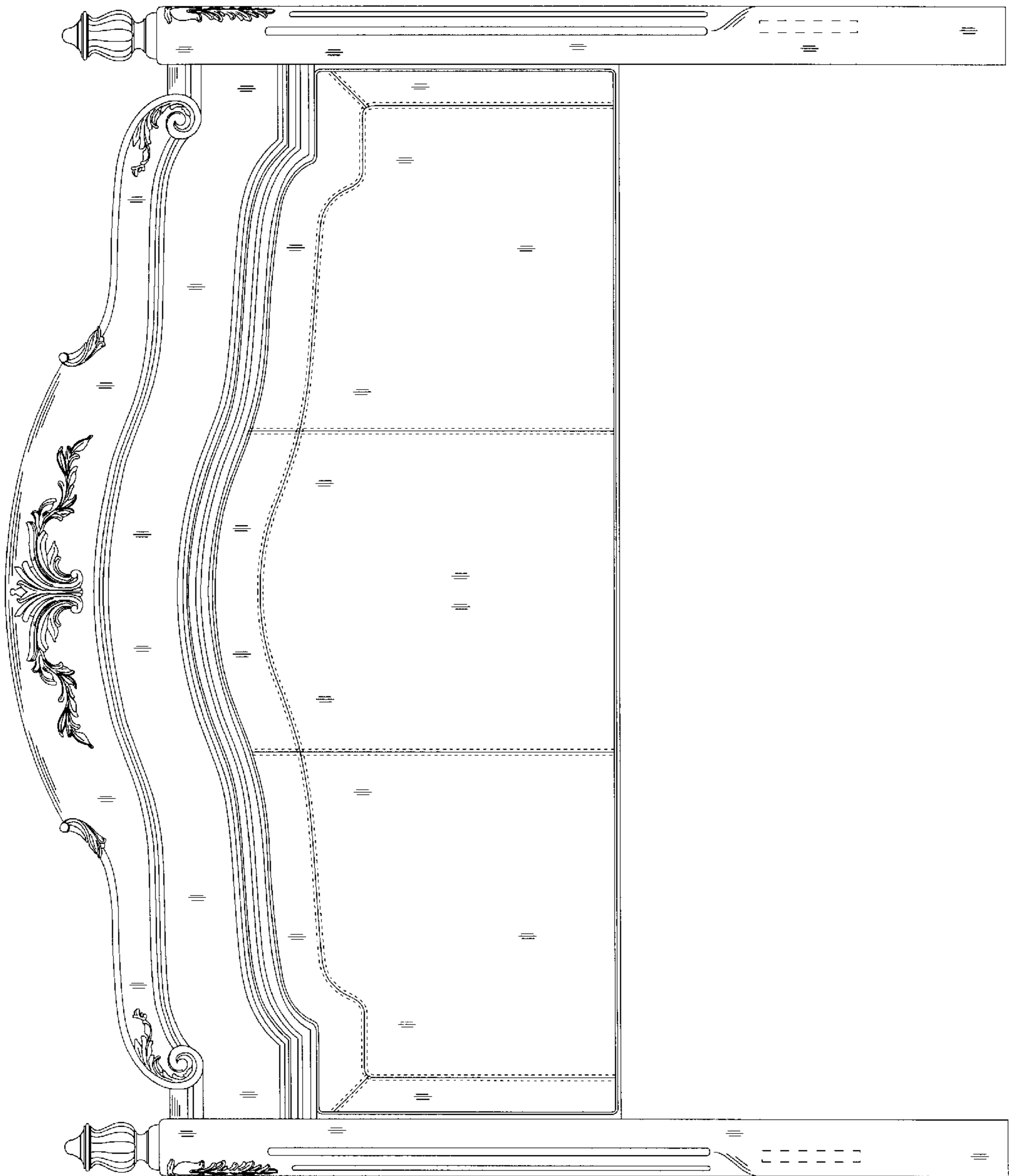


FIG. 3

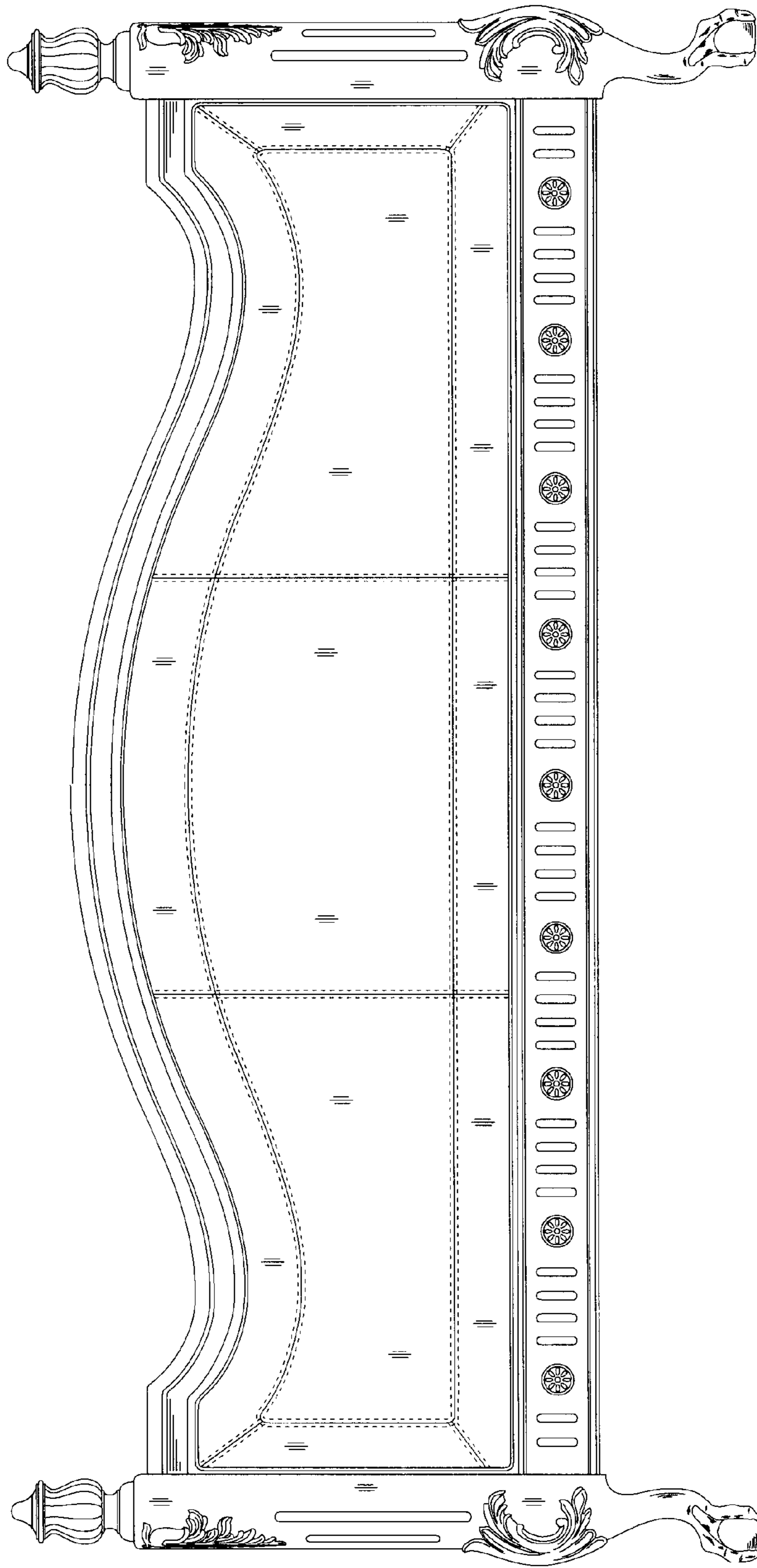


FIG. 4

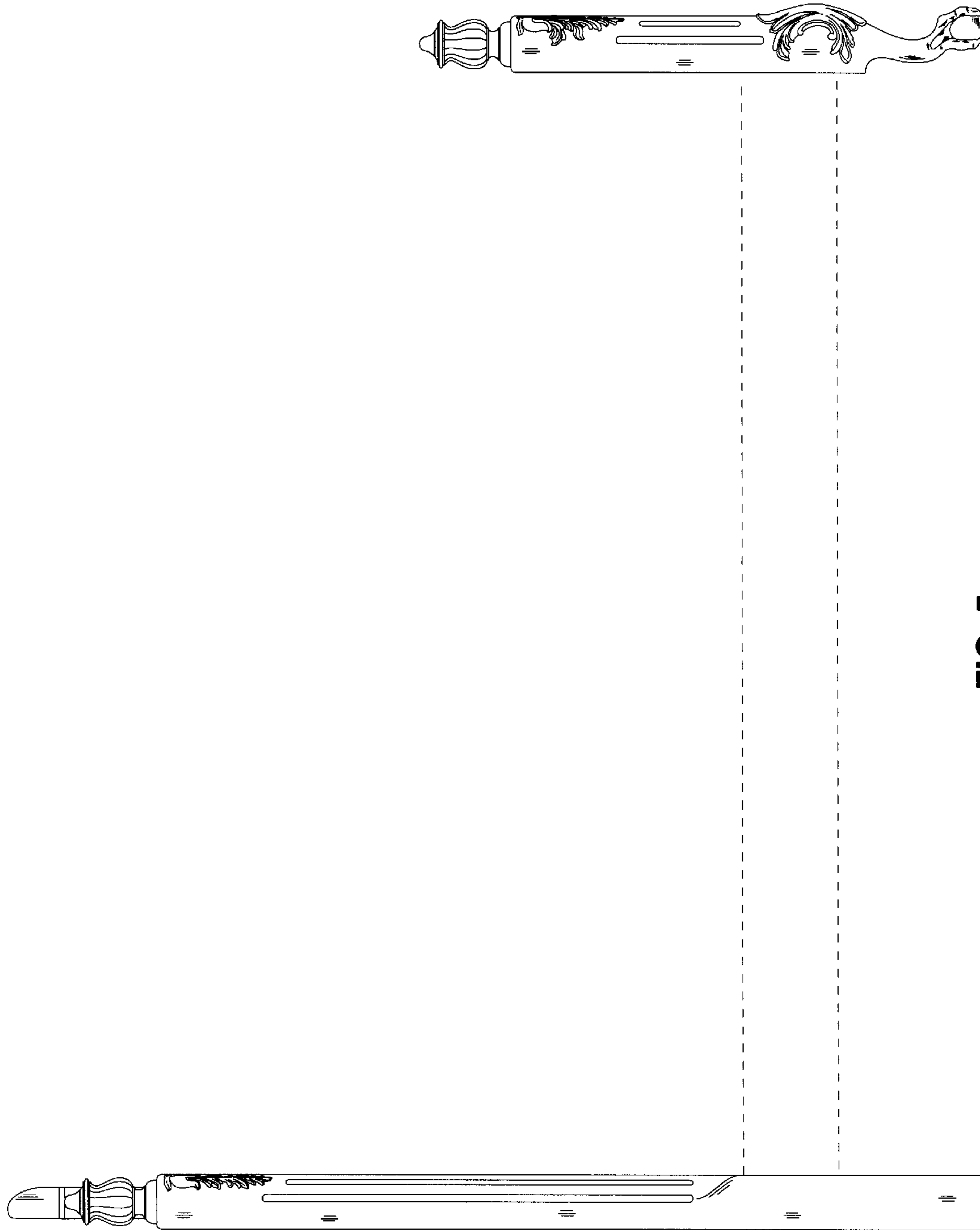


FIG. 5