



US00D479054S

(12) **United States Design Patent**  
**Chen**

(10) **Patent No.:** **US D479,054 S**

(45) **Date of Patent:** **\*\* Sep. 2, 2003**

(54) **CHAIR**

(75) Inventor: **Chao Ken Chen**, Chung Hua (TW)

(73) Assignee: **Tay Huah Furniture Corp**, Chung Hua Hsien (TW)

(\*\*) Term: **14 Years**

(21) Appl. No.: **29/170,520**

(22) Filed: **Nov. 5, 2002**

(51) **LOC (7) Cl.** ..... **06-01**

(52) **U.S. Cl.** ..... **D6/366**

(58) **Field of Search** ..... D4/334, 335, 364,  
D4/365, 366, 367, 500, 501, 502; 297/298,  
338, 343, 344.12

(56) **References Cited**

**U.S. PATENT DOCUMENTS**

D230,443 S	*	2/1974	Klose	.....	D6/366
D270,020 S	*	8/1983	Drabert	.....	D6/366
D276,576 S	*	12/1984	Helmholdt	.....	D6/366
D292,351 S	*	10/1987	Brossard et al.	.....	D6/366

D295,925 S	*	5/1988	Uredat-Neuhoff	.....	D6/366
D300,696 S	*	4/1989	Garnich	.....	D6/365
D312,002 S	*	11/1990	Carter et al.	.....	D6/366
D378,170 S	*	2/1997	Beaulieu	.....	D6/366
D391,089 S	*	2/1998	Chu	.....	D6/366
D400,365 S	*	11/1998	Rossi	.....	D6/366

\* cited by examiner

*Primary Examiner*—Gary D. Watson

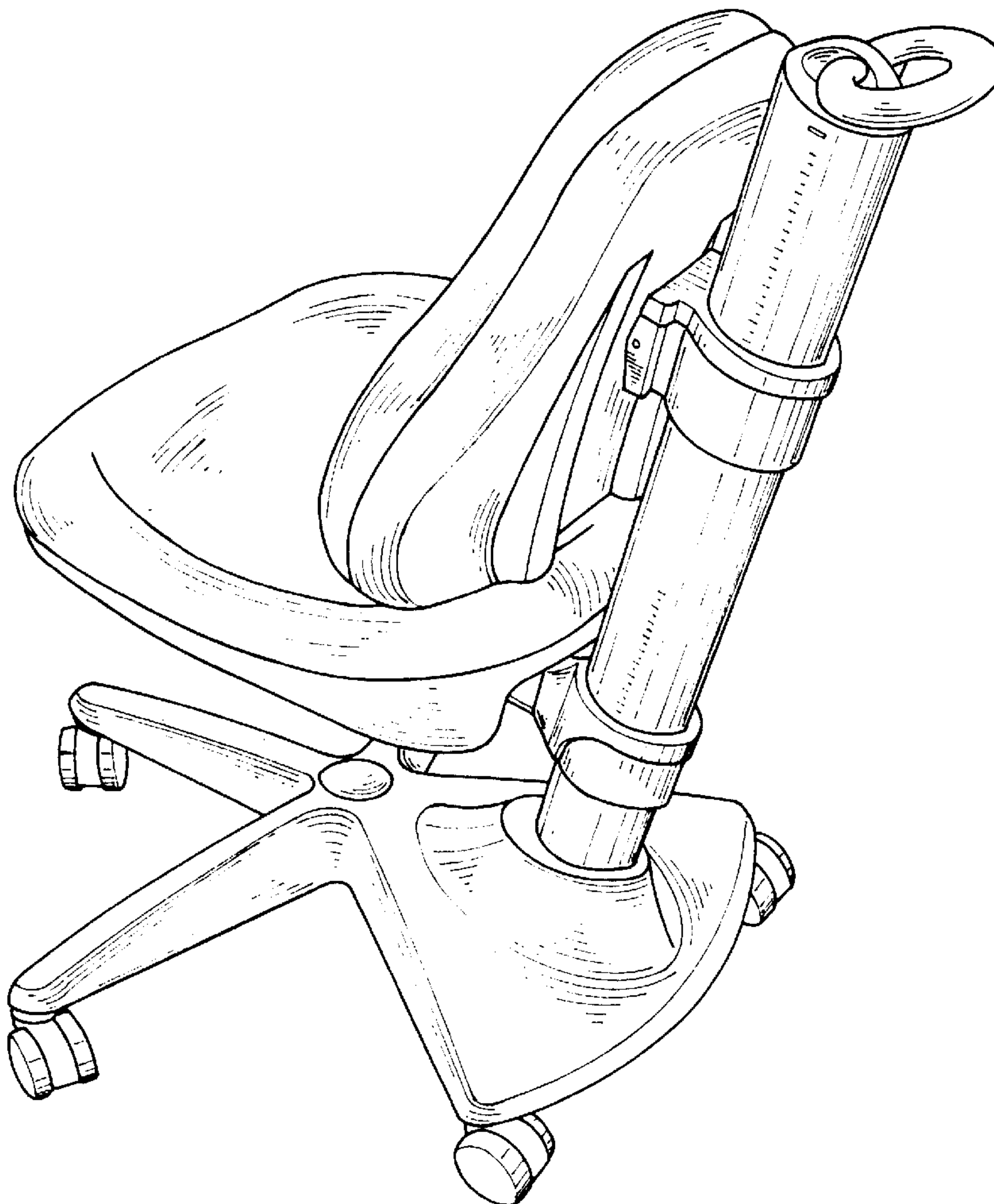
(57) **CLAIM**

The ornamental design for a chair, as shown and described.

**DESCRIPTION**

FIG. 1 is a perspective view of a chair showing my new design;  
 FIG. 2 is a front elevational view thereof;  
 FIG. 3 is a rear elevational view thereof;  
 FIG. 4 is a left side view thereof;  
 FIG. 5 is a right side view thereof;  
 FIG. 6 is a top plan view thereof; and,  
 FIG. 7 is a bottom plan view thereof.

**1 Claim, 6 Drawing Sheets**



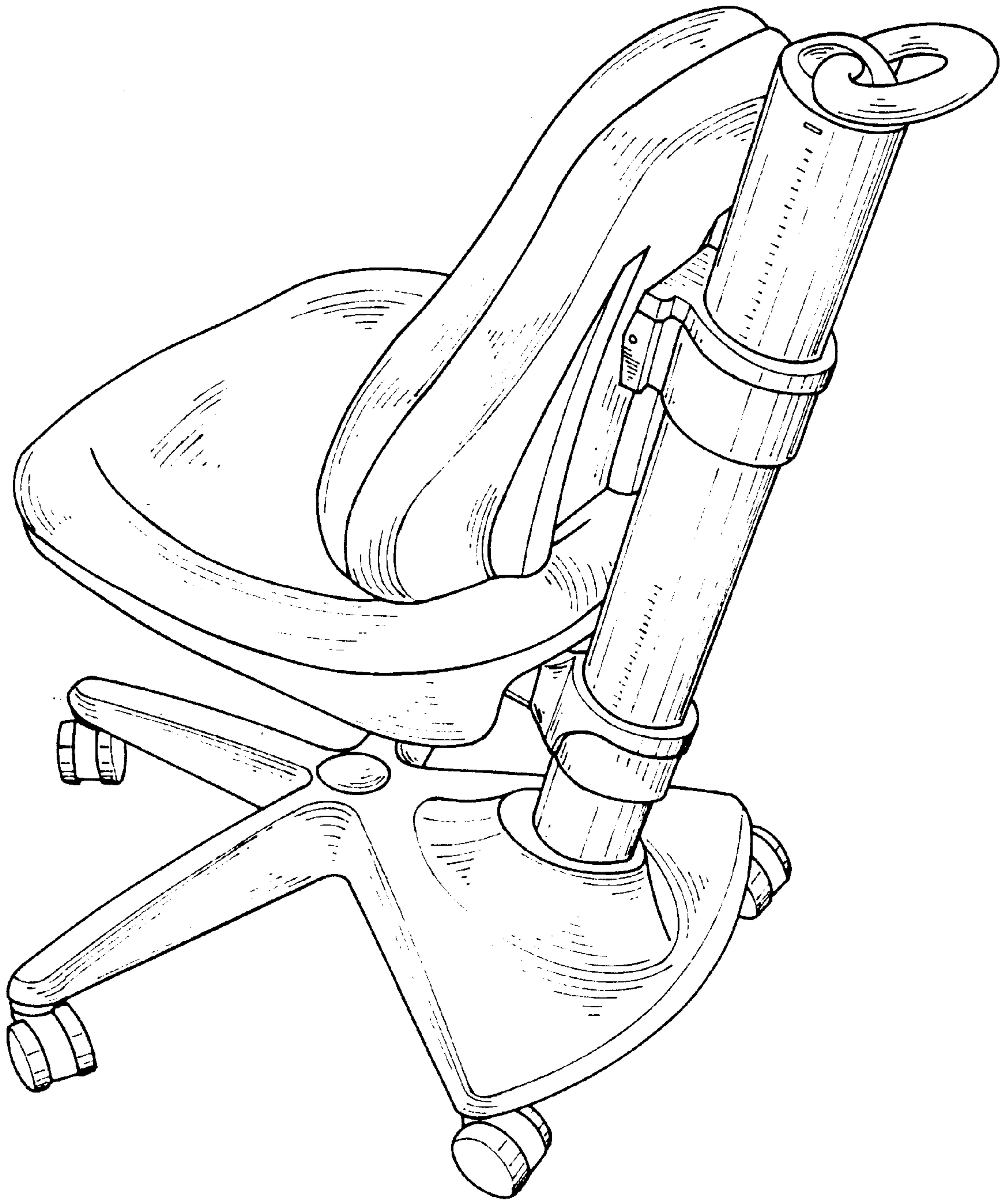


FIG 1

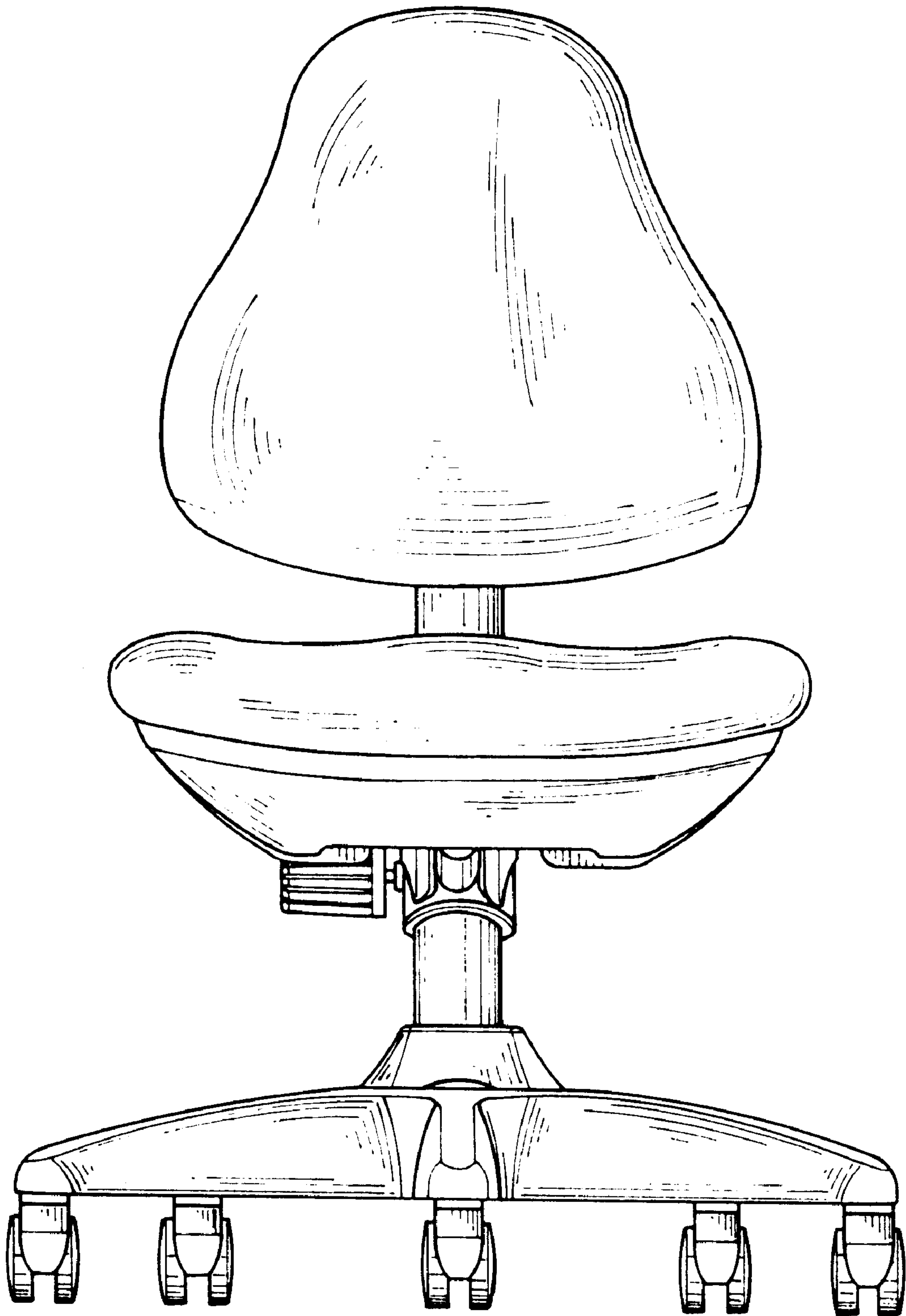


FIG. 2

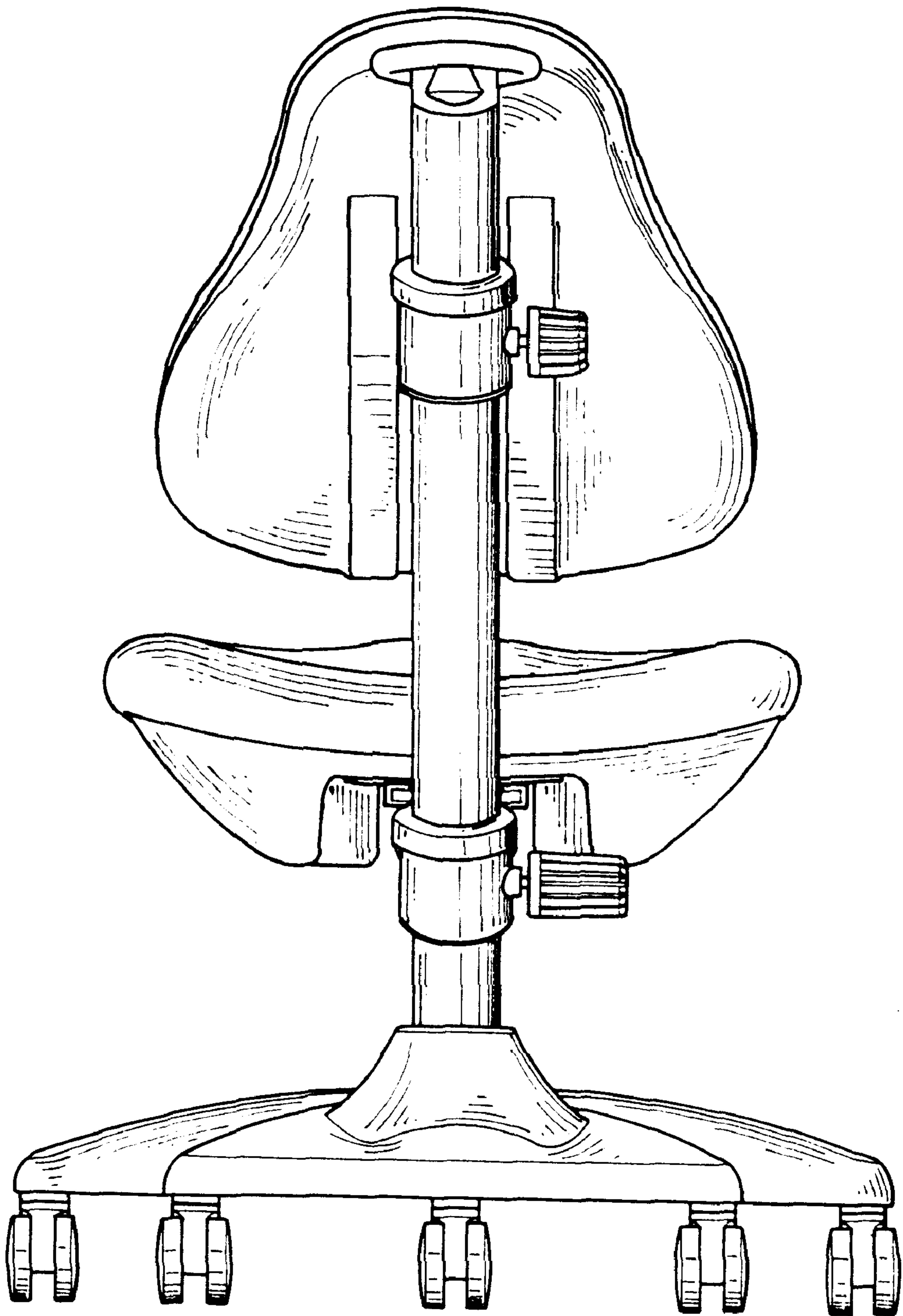


FIG. 3



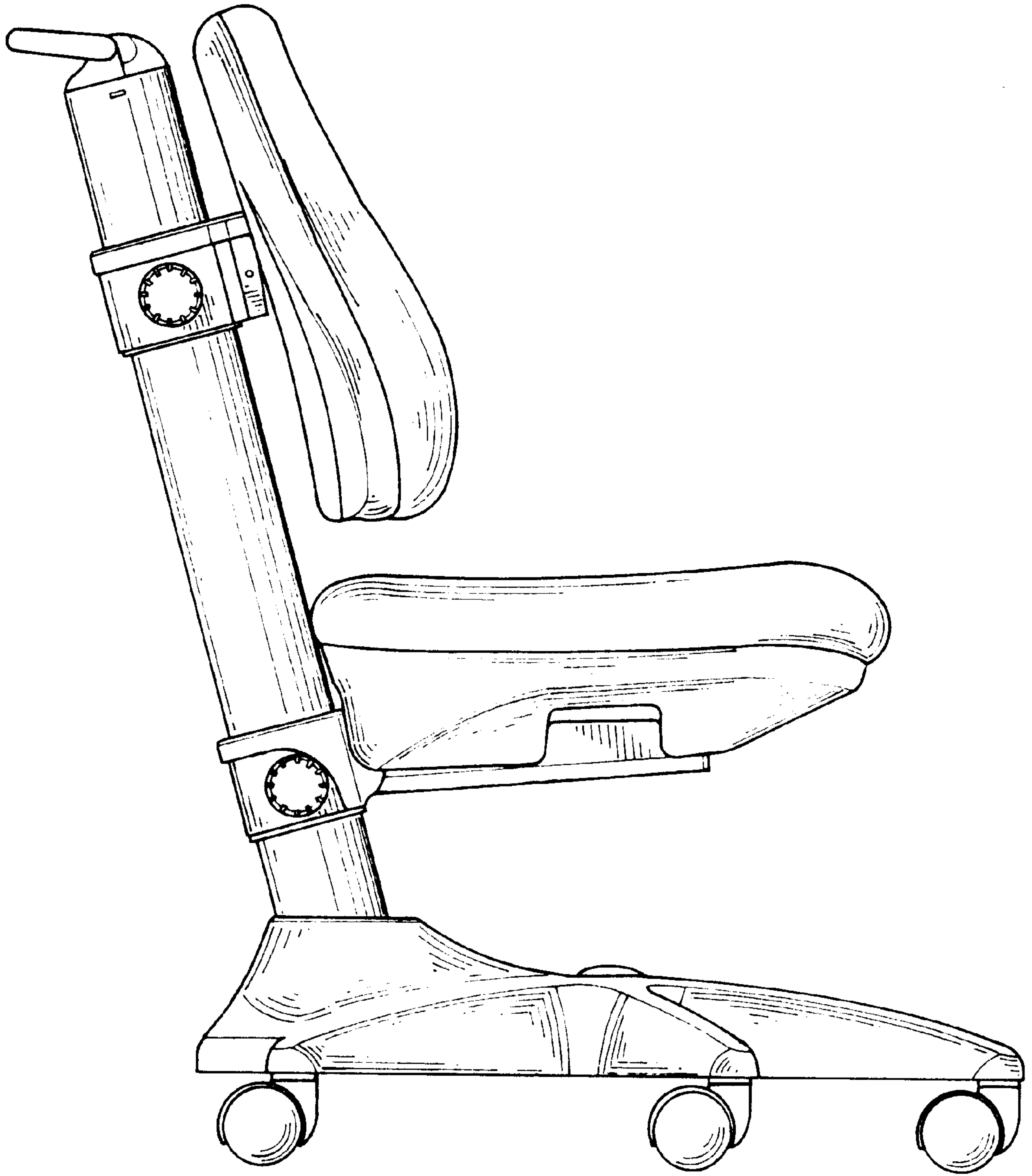


FIG. 4

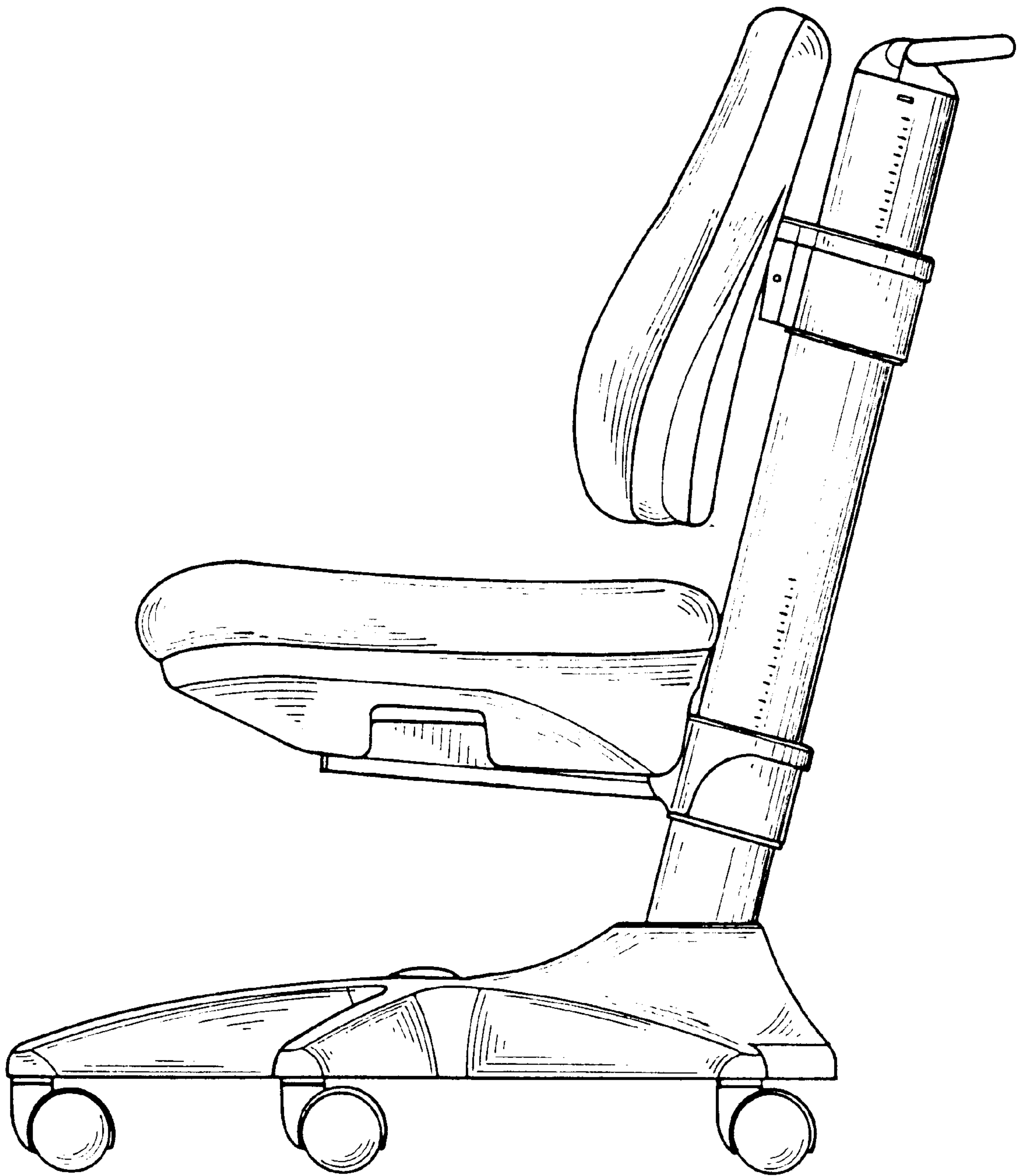


FIG. 5

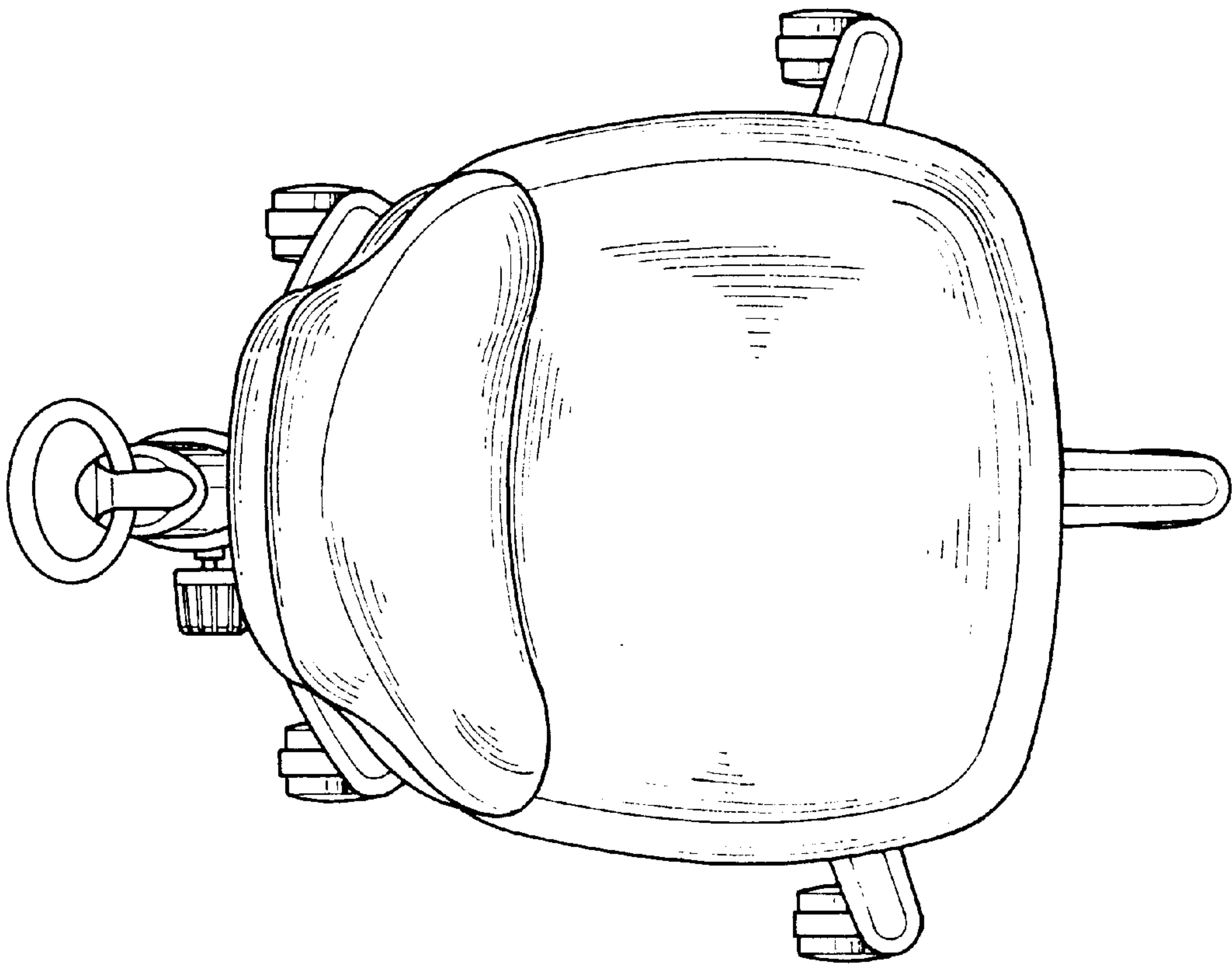


FIG. 6

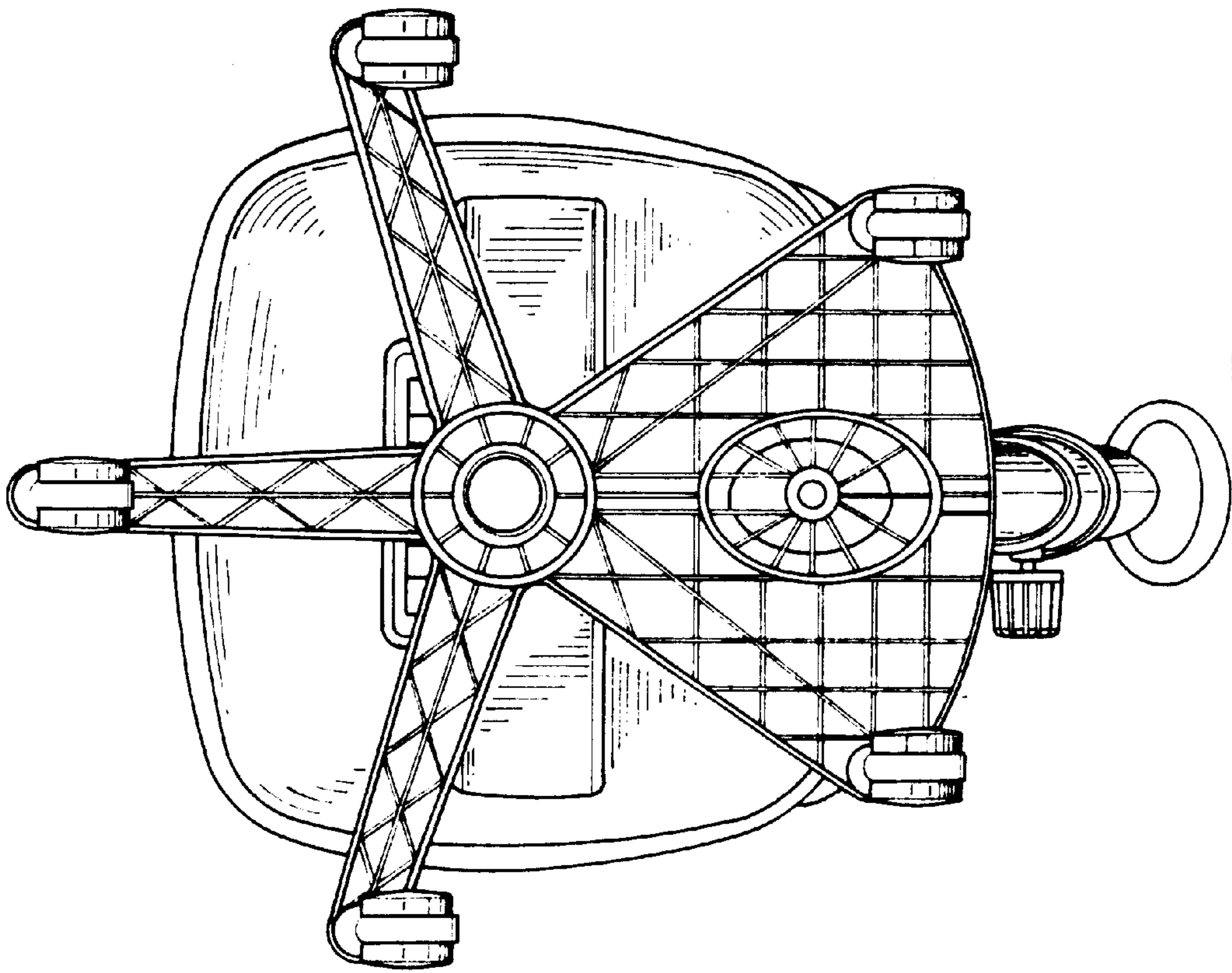


FIG. 7