



US00D479053S

(12) **United States Design Patent**
Chadwick et al.

(10) **Patent No.:** **US D479,053 S**

(45) **Date of Patent:** **** Sep. 2, 2003**

(54) **CHAIR**

D404,584 S * 1/1999 Weinberger D6/363

(75) Inventors: **Donald Chadwick**, Los Angeles, CA (US); **Julien Egger**, West Los Angeles, CA (US)

* cited by examiner

Primary Examiner—Doris V. Coles

Assistant Examiner—Mimosa De

(73) Assignee: **Hanssem Co., Ltd.** (KR)

(74) *Attorney, Agent, or Firm*—Sheppard, Mullin, Richter & Hampton LLP

(**) Term: **14 Years**

(57) **CLAIM**

(21) Appl. No.: **29/171,888**

The ornamental design for a chair, as shown and described.

(22) Filed: **Dec. 2, 2002**

DESCRIPTION

(51) **LOC (7) Cl.** **06-01**

(52) **U.S. Cl.** **D6/363**

(58) **Field of Search** D6/334, 335, 336,
D6/363, 374, 375, 500, 501, 502; 297/446.1,
452.1

FIG. 1 is a perspective view of a chair embodying the new design;

FIG. 2 is a left side elevational view of the design depicted in FIG. 1, the right side being identical to the left side shown; FIG. 3 is a front elevational view of the design depicted in FIG. 1;

FIG. 4 is a rear elevational view of the design depicted in FIG. 1;

FIG. 5 is a top plan view of the design depicted in FIG. 1; and,

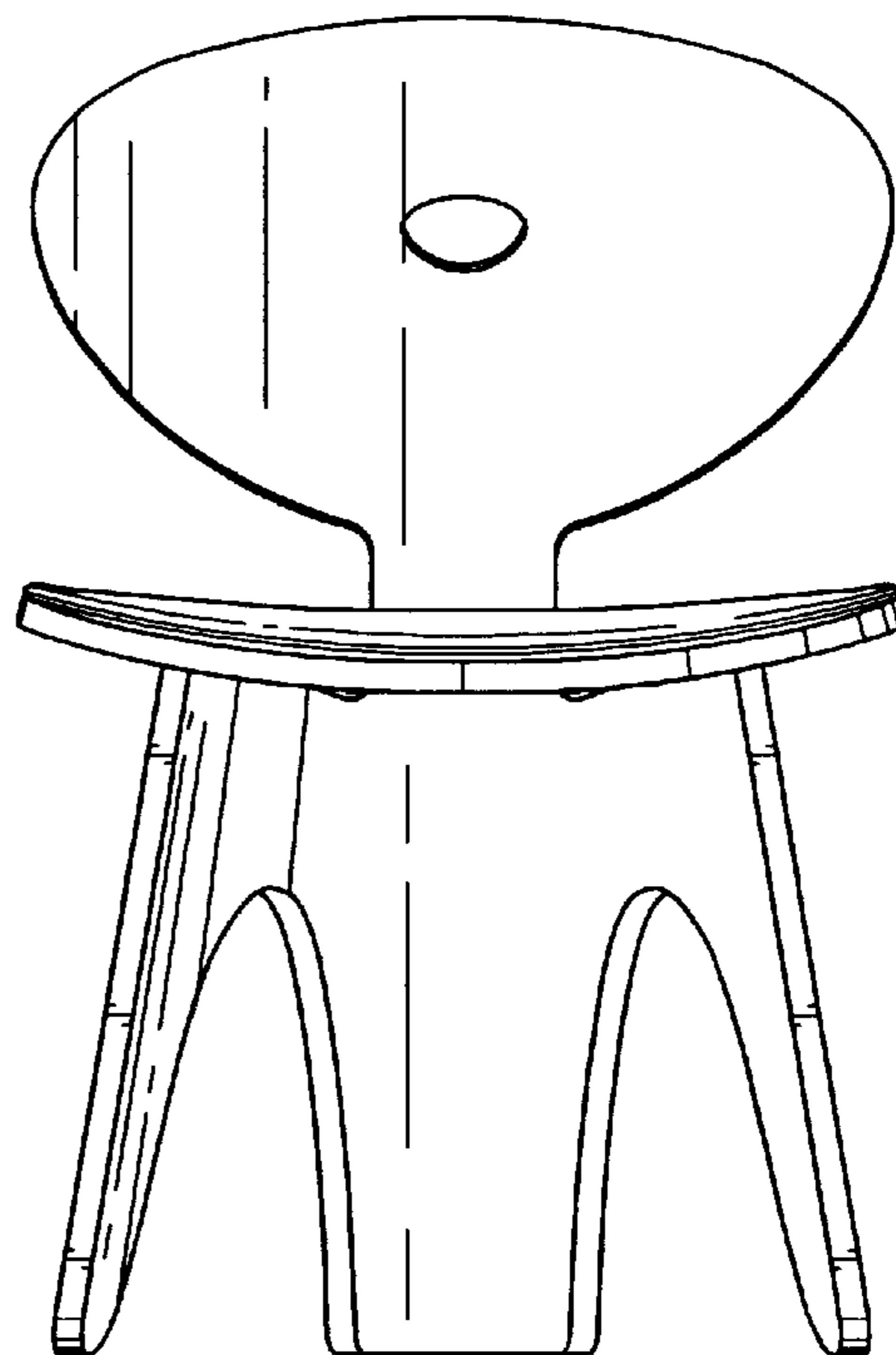
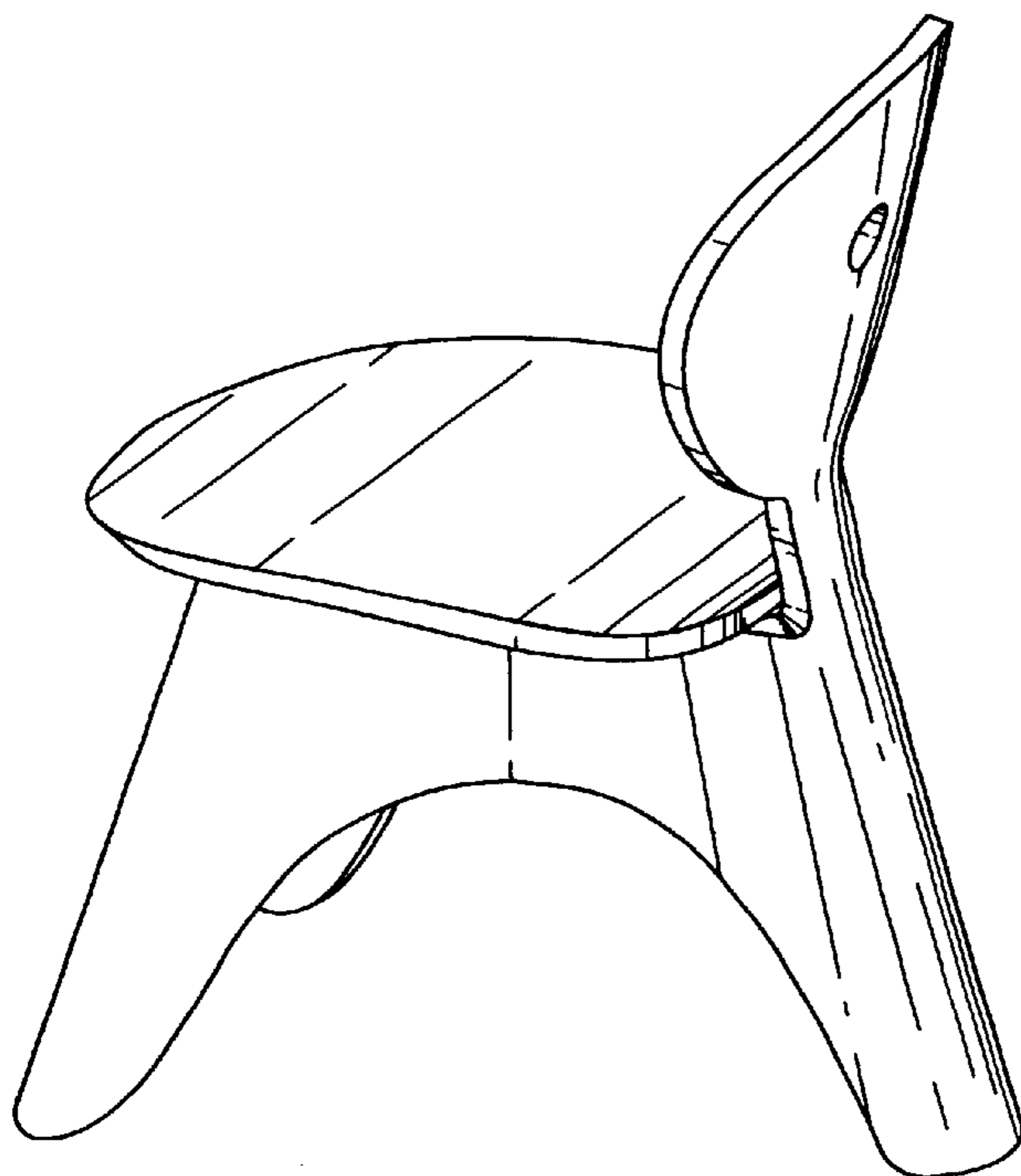
FIG. 6 is a bottom plan view of the design depicted in FIG. 1.

(56) **References Cited**

U.S. PATENT DOCUMENTS

D161,729 S	*	1/1951	Bascom	D6/374
D231,288 S	*	4/1974	Miller	D6/363
D249,103 S	*	8/1978	Rodriguez	D6/363
D362,127 S	*	9/1995	Chen	D6/374
D372,594 S	*	8/1996	Reese	D6/363

1 Claim, 3 Drawing Sheets



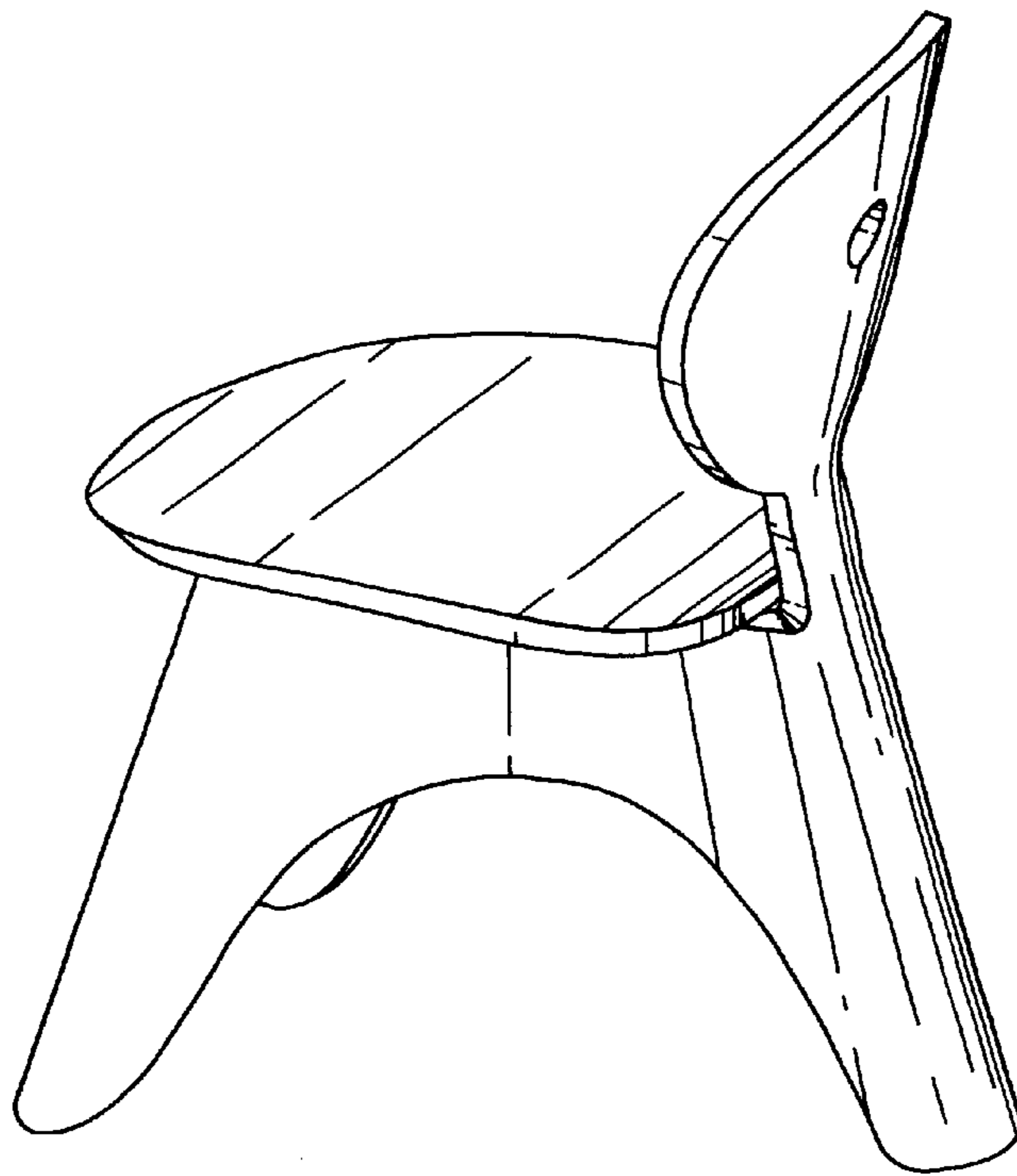


FIG. 1

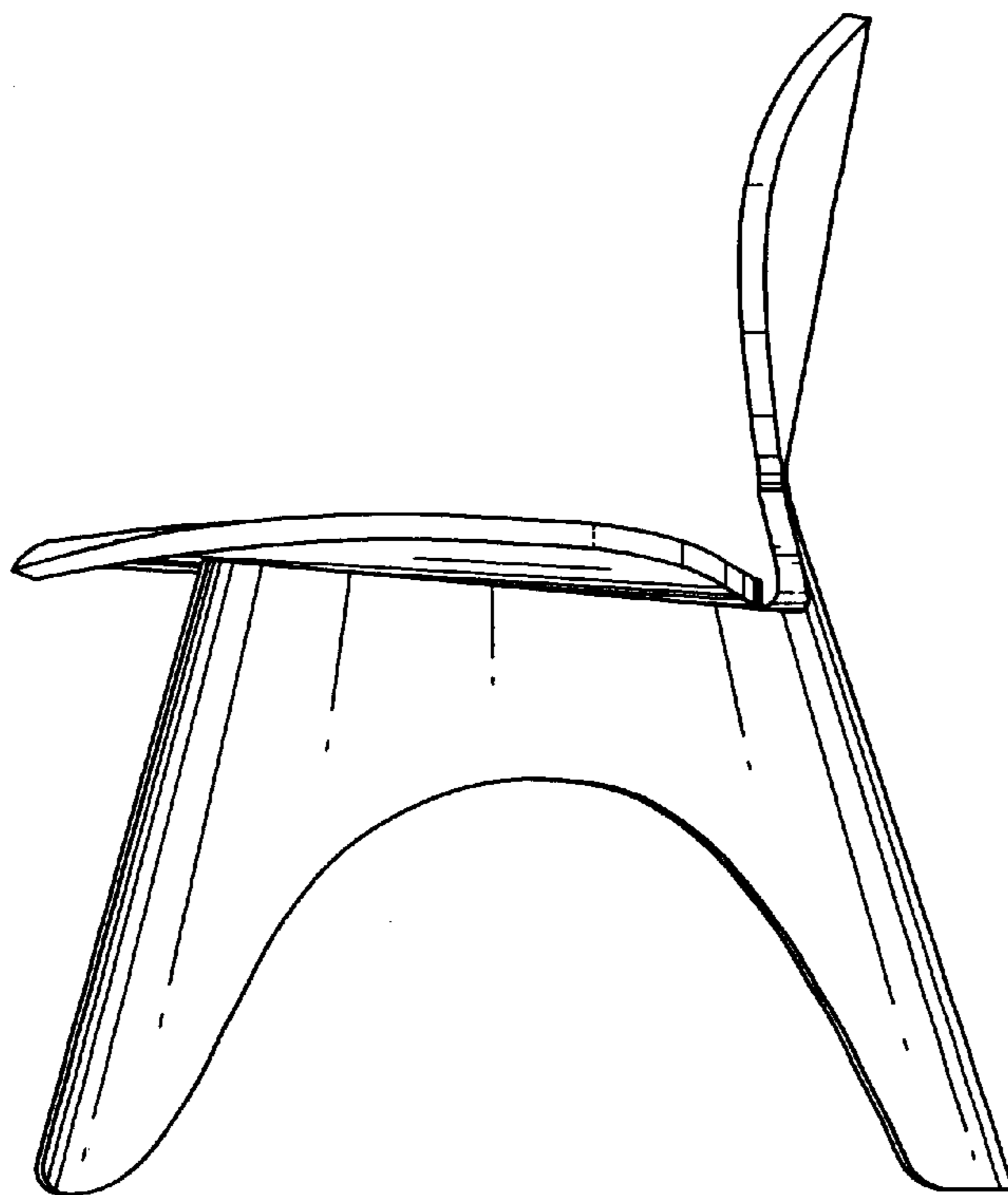


FIG. 2

FIG. 3

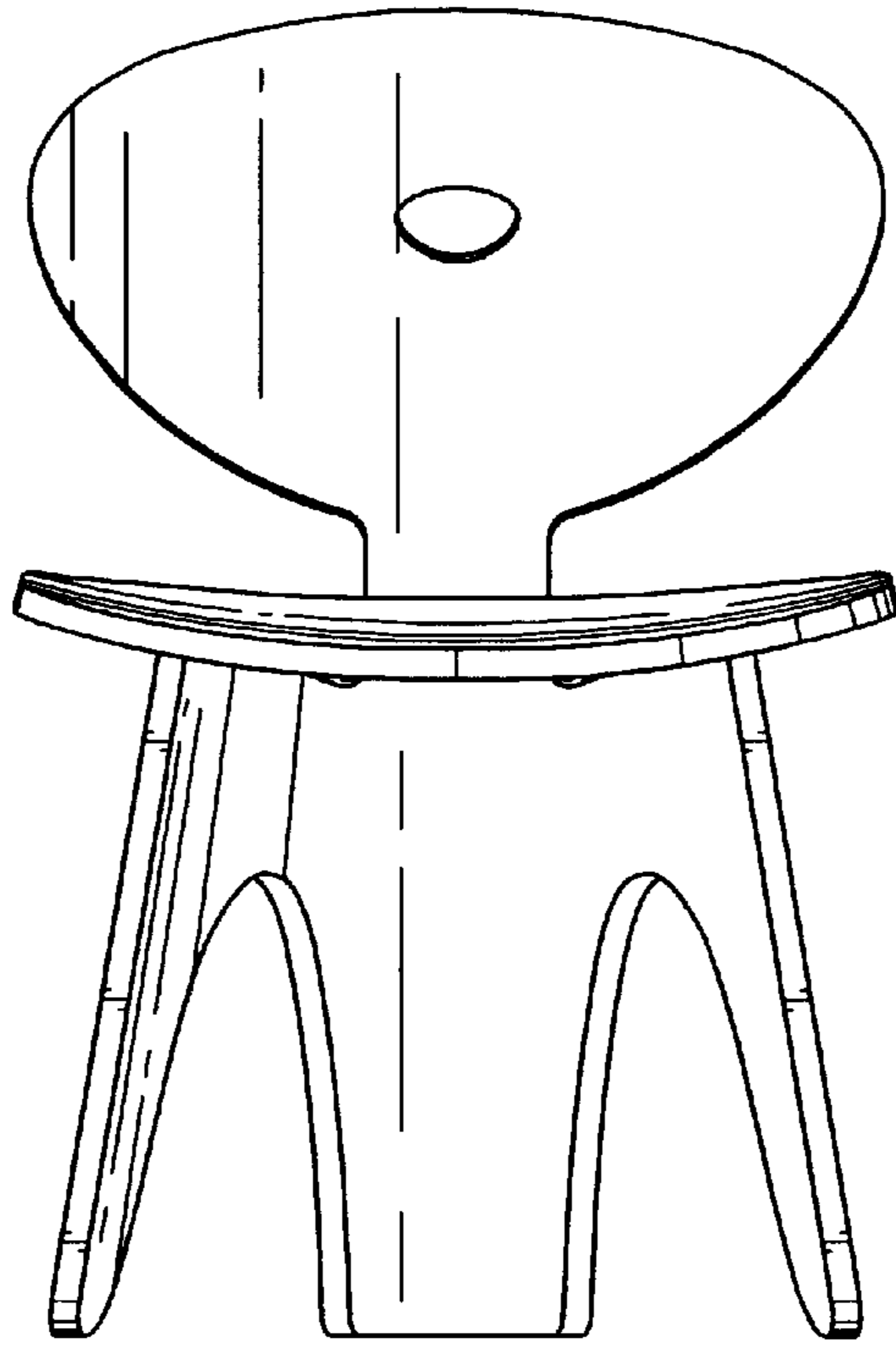
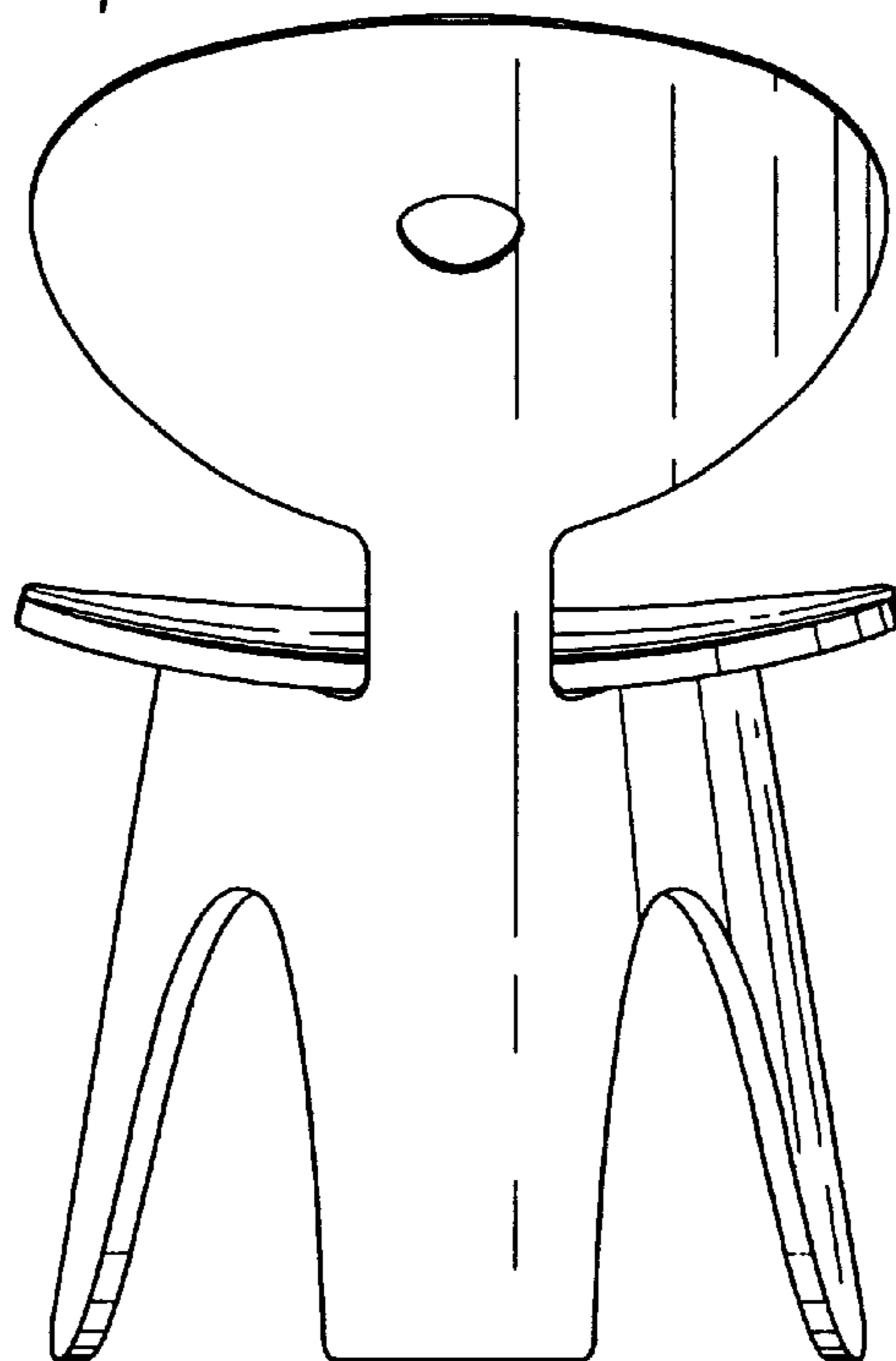


FIG. 4



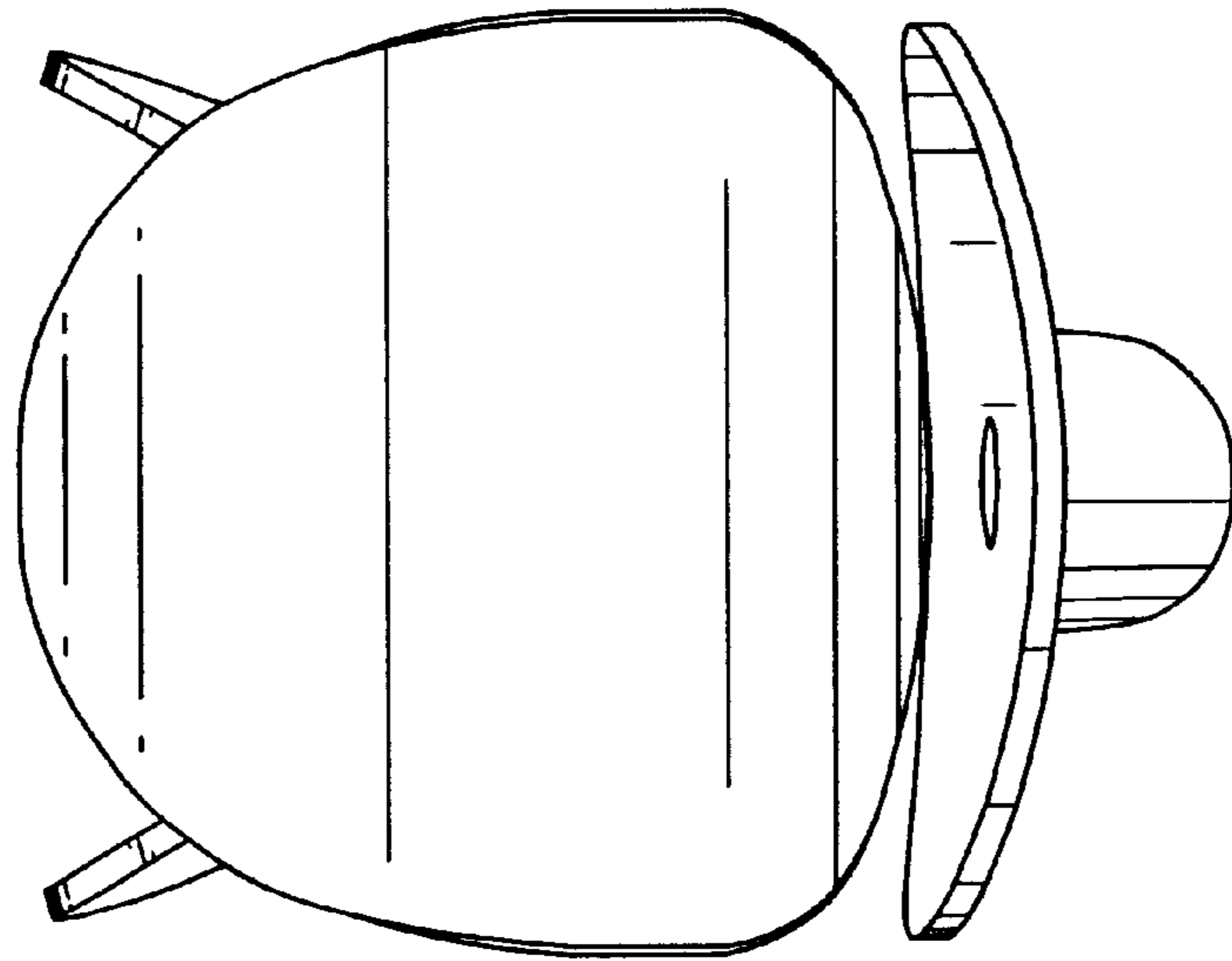


FIG. 5

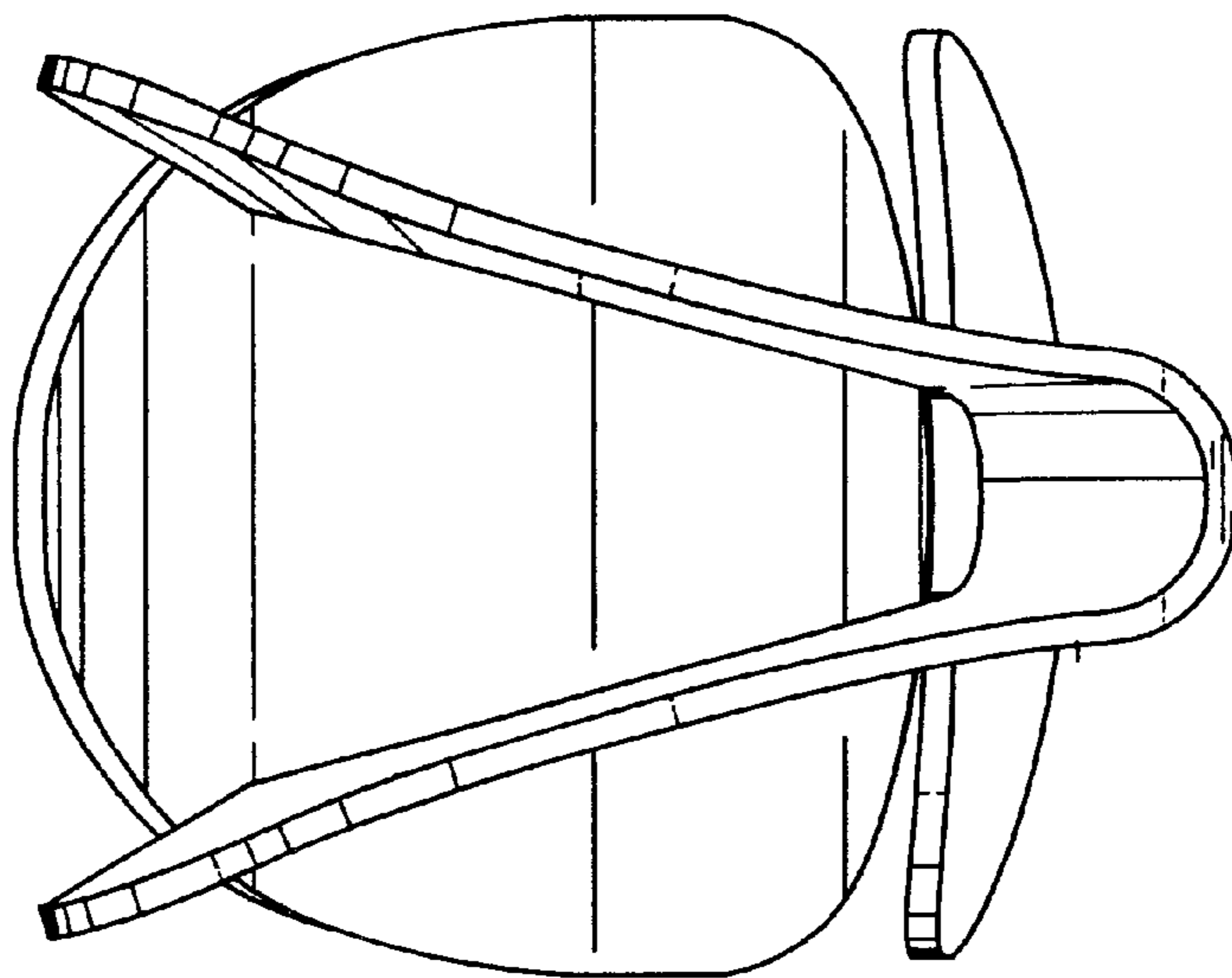


FIG. 6