



US00D479051S

(12) **United States Design Patent**
Darst et al.

(10) **Patent No.:** **US D479,051 S**

(45) **Date of Patent:** **** Sep. 2, 2003**

(54) **UNIVERSAL TRANSFER BENCH**

(75) Inventors: **Daniel Darst**, Clear Brook, VA (US);
Alfred Reneau Van Landingham, Jr.,
Stephens City, VA (US); **Phillip**
Anthony Crim, Berryville, VA (US)

(73) Assignee: **Rubbermaid Commercial Products**
LLC, Winchester, VA (US)

(**) Term: **14 Years**

(21) Appl. No.: **29/161,462**

(22) Filed: **May 31, 2002**

(51) **LOC (7) Cl.** **06-01**

(52) **U.S. Cl.** **D6/335**

(58) **Field of Search** D6/334, 335, 336,
D6/349, 368, 374, 377, 380, 500-502, 524,
525, 527; D23/303, 304; 297/24, 183.1,
183.7, 338, 445.1, 446.1, 451.11, 452.18,
452.19, 452.21, 452.29, 452.36, 452.38;
4/559, 560.1, 562.1, 572.1, 573.1, 578.1,
579

(56) **References Cited**

U.S. PATENT DOCUMENTS

D166,838 S	*	5/1952	Zank et al.	D6/374
4,472,844 A	*	9/1984	Mace	4/579
4,475,256 A	*	10/1984	Hatala	4/562.1
D347,526 S	*	6/1994	Hamilton	D6/335
D350,238 S	*	9/1994	Ward	D6/335
D355,985 S	*	3/1995	Karten et al.	D6/374
5,536,068 A		7/1996	Valentor et al.		
D375,638 S	*	11/1996	Dhanapal et al.	D6/377
5,903,935 A	*	5/1999	Huelke	4/560.1
5,940,905 A	*	8/1999	Cheng	4/578.1
6,039,403 A	*	3/2000	Hargroder	4/578.1
6,105,183 A	*	8/2000	Bly	4/579
6,122,776 A	*	9/2000	Cheng	4/578.1
D439,429 S	*	3/2001	Higgs et al.	D6/368

OTHER PUBLICATIONS

All Composite Bath Safe™ Transfer Bench #2500, Higgs Medical Products, LLC. Undated.

* cited by examiner

Primary Examiner—Doris V. Coles

Assistant Examiner—Mimosa De

(74) *Attorney, Agent, or Firm*—Foley & Lardner

(57) **CLAIM**

The ornamental design for a universal transfer bench, as shown and described.

DESCRIPTION

FIG. 1 is a top frontal perspective view of a first embodiment of a universal transfer bench according to our new design; FIG. 2 is a front view of the embodiment shown in FIG. 1; FIG. 3 is a back view of the embodiment shown in FIG. 1; FIG. 4 is a bottom view of the embodiment shown in FIG. 1;

FIG. 5 is a top view of the embodiment shown in FIG. 1; FIG. 6 right side view of the embodiment shown in FIG. 1; FIG. 7 is a left side view of the embodiment shown in FIG. 1;

FIG. 8 is a top frontal perspective view of a second embodiment of a universal transfer bench according to our new design;

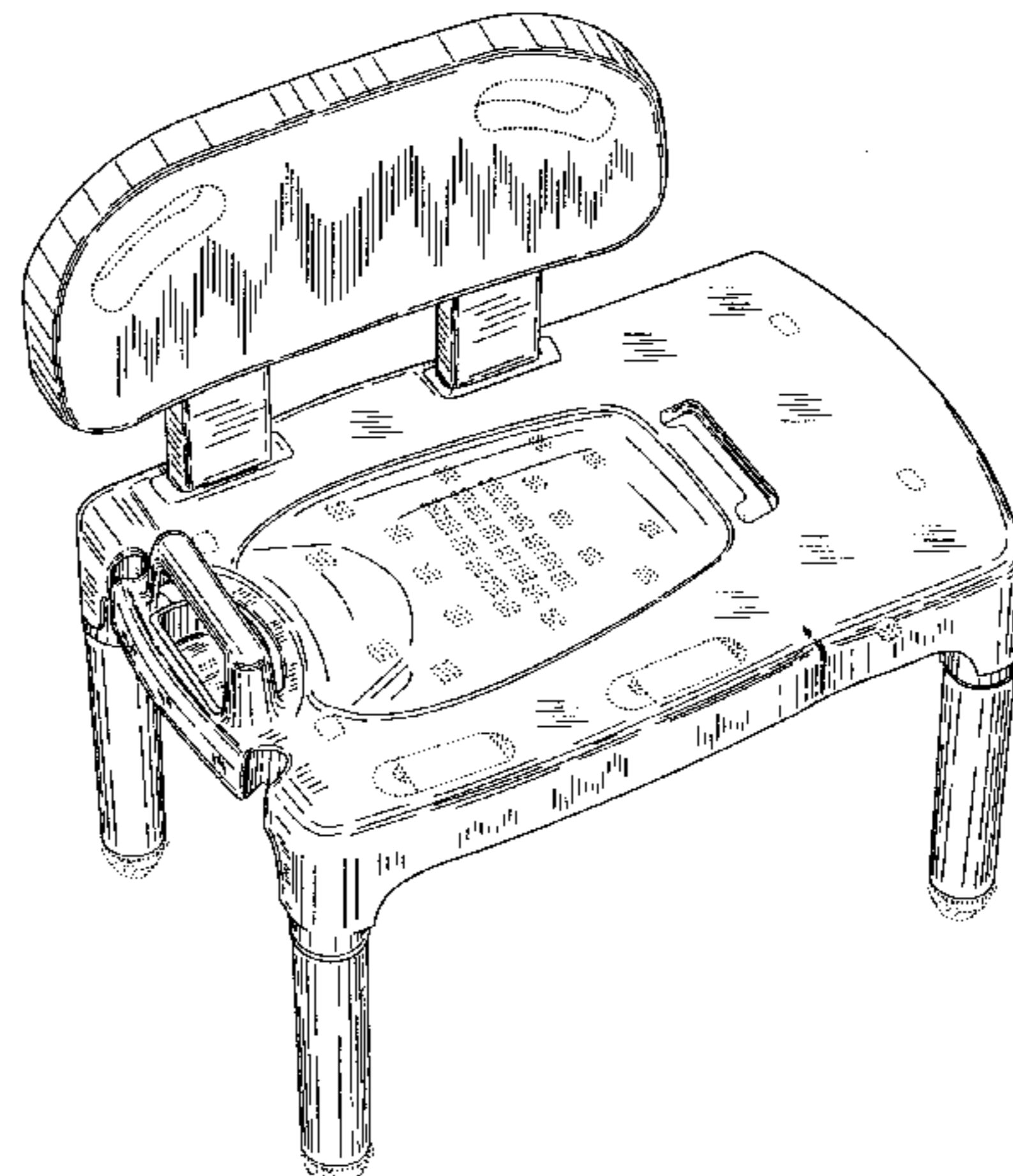
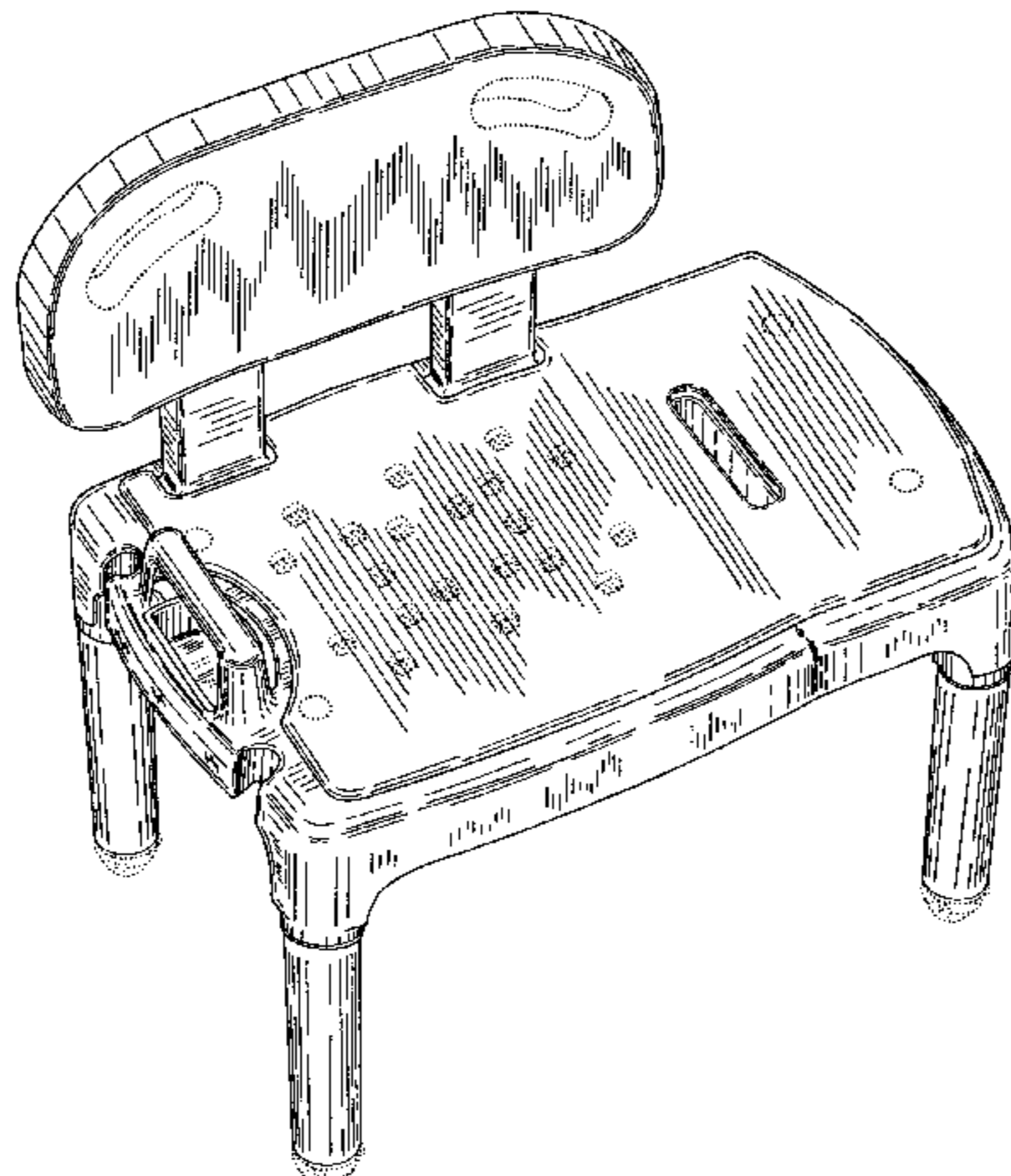
FIG. 9 is a front view of the embodiment shown in FIG. 8; FIG. 10 is a back view of the embodiment shown in FIG. 8; FIG. 11 is a bottom view of the embodiment shown in FIG. 8;

FIG. 12 is a top view of the embodiment shown in FIG. 8; FIG. 13 right side view of the embodiment shown in FIG. 8; and,

FIG. 14 is a left side view of the embodiment shown in FIG. 8.

The ornamental design which is claimed is shown in solid lines in the drawings. The broken lines in the drawings are for illustrative purposes only and form no part of the claimed design.

1 Claim, 14 Drawing Sheets



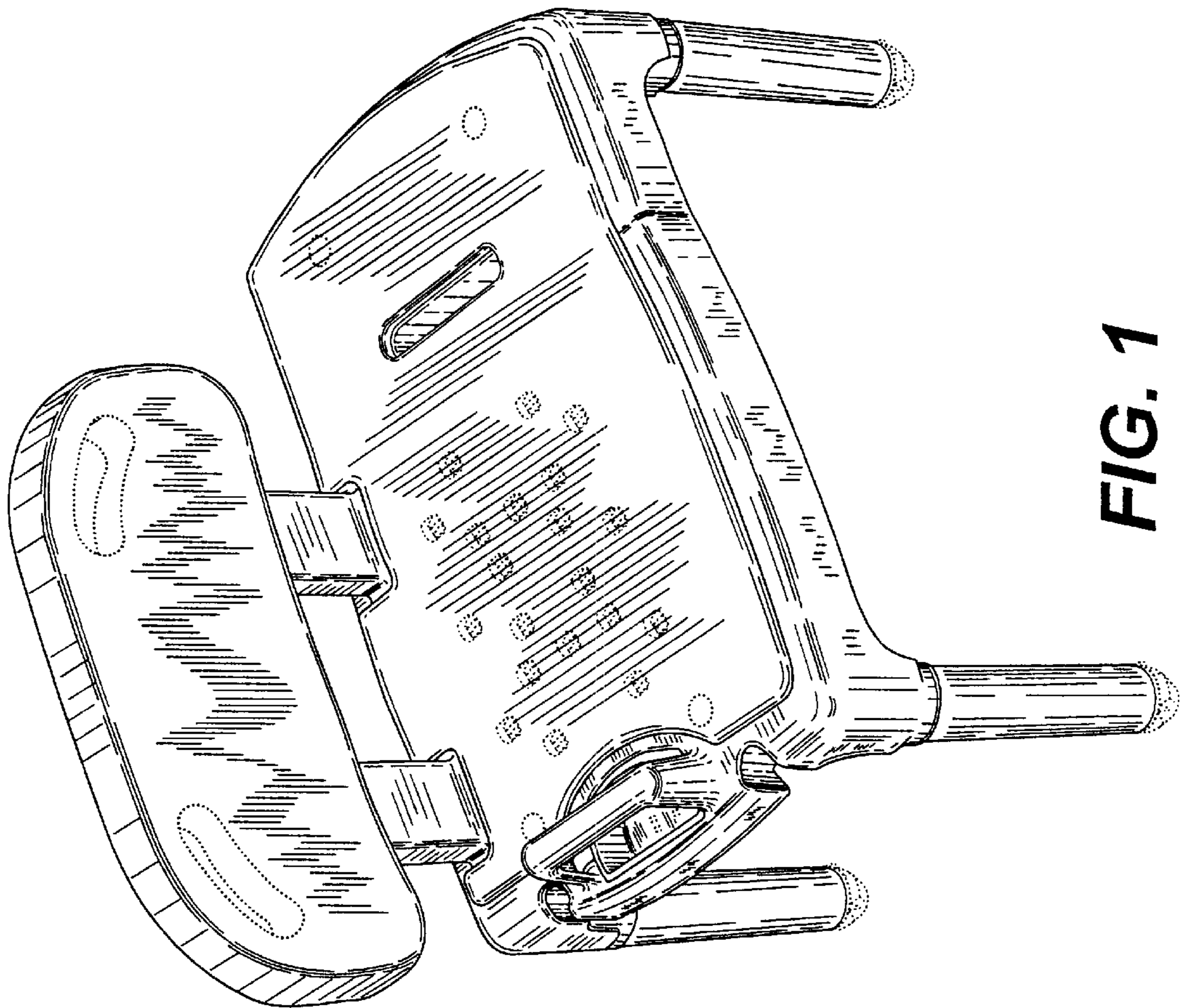


FIG. 1

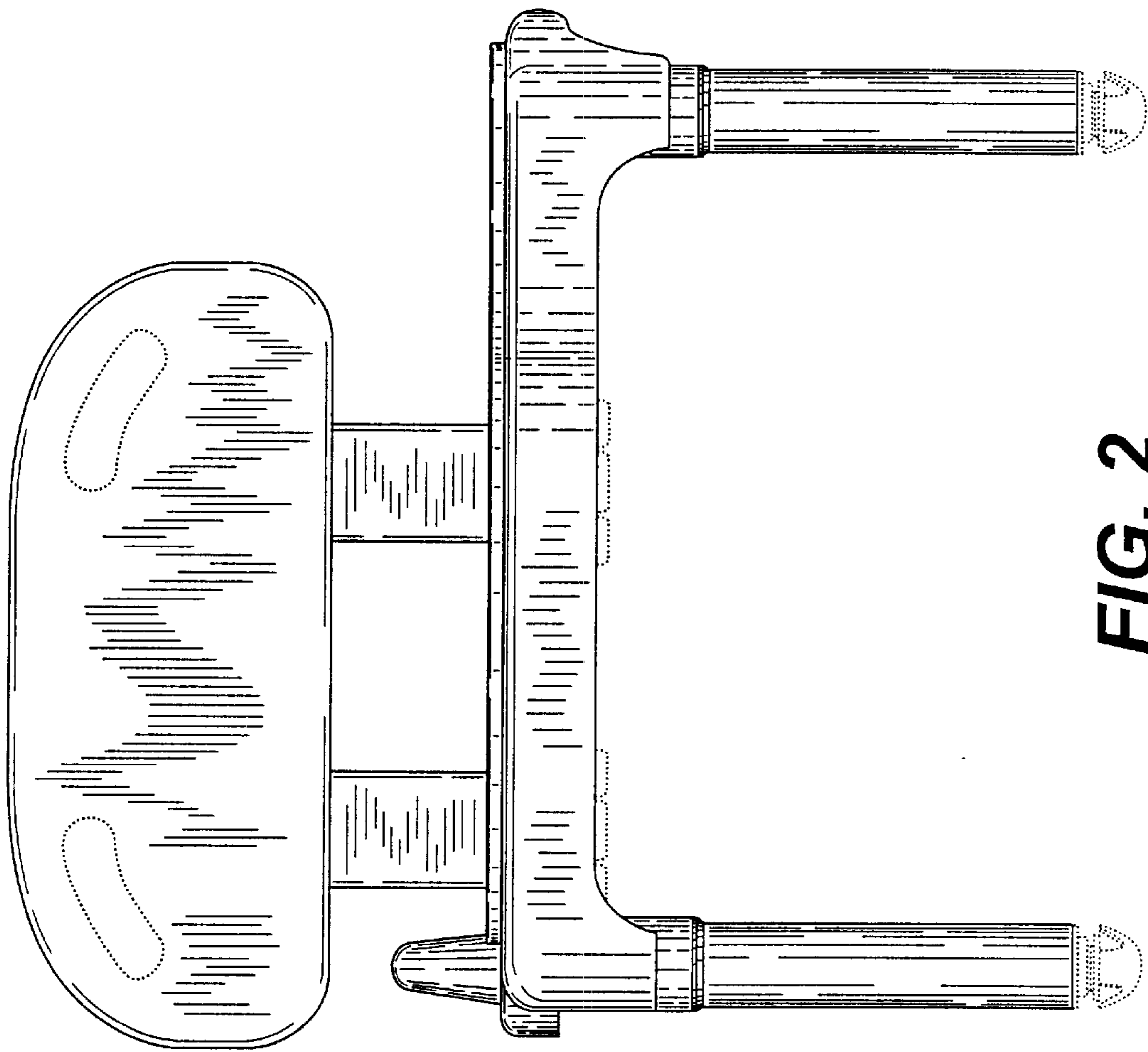


FIG. 2

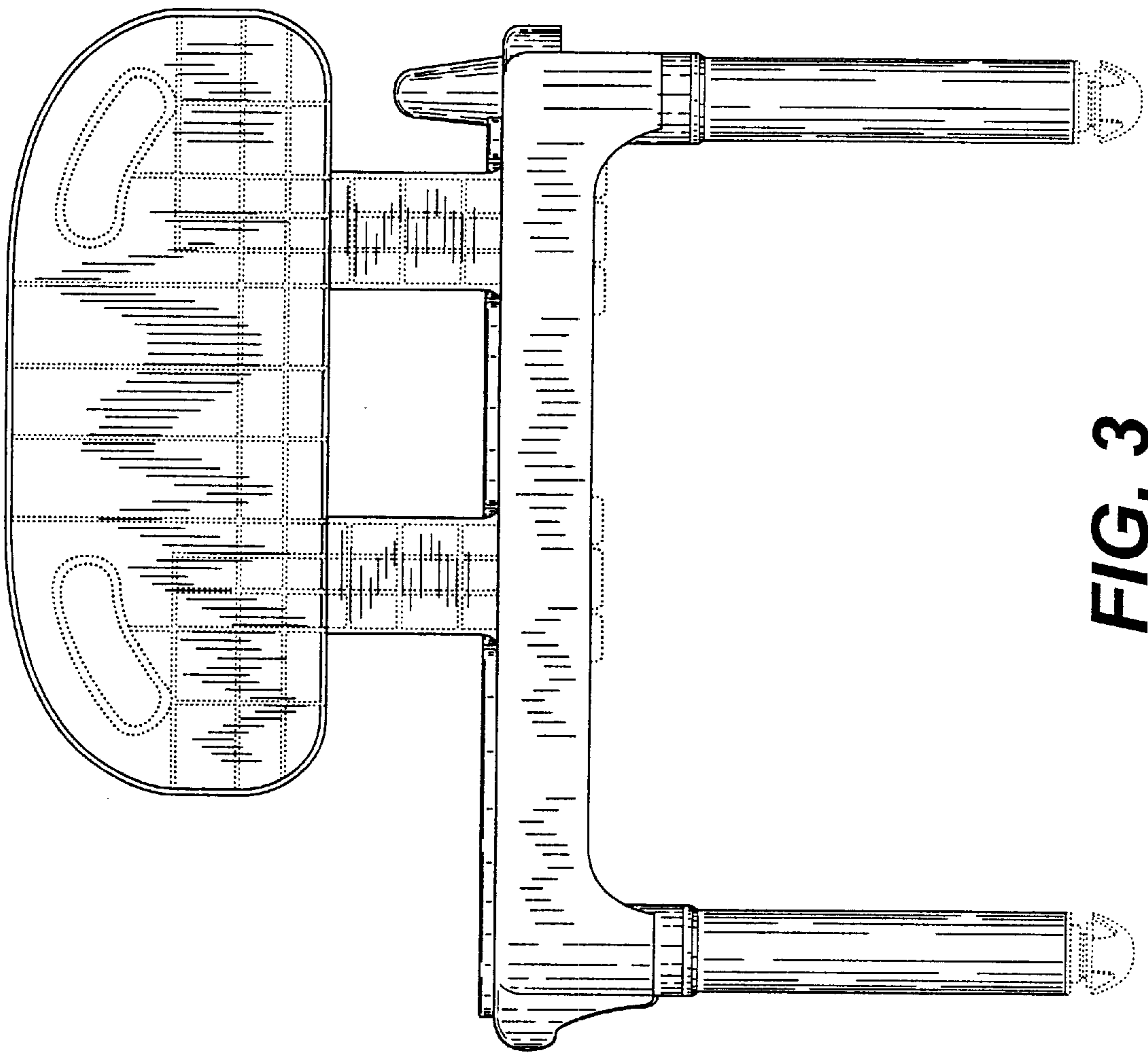


FIG. 3

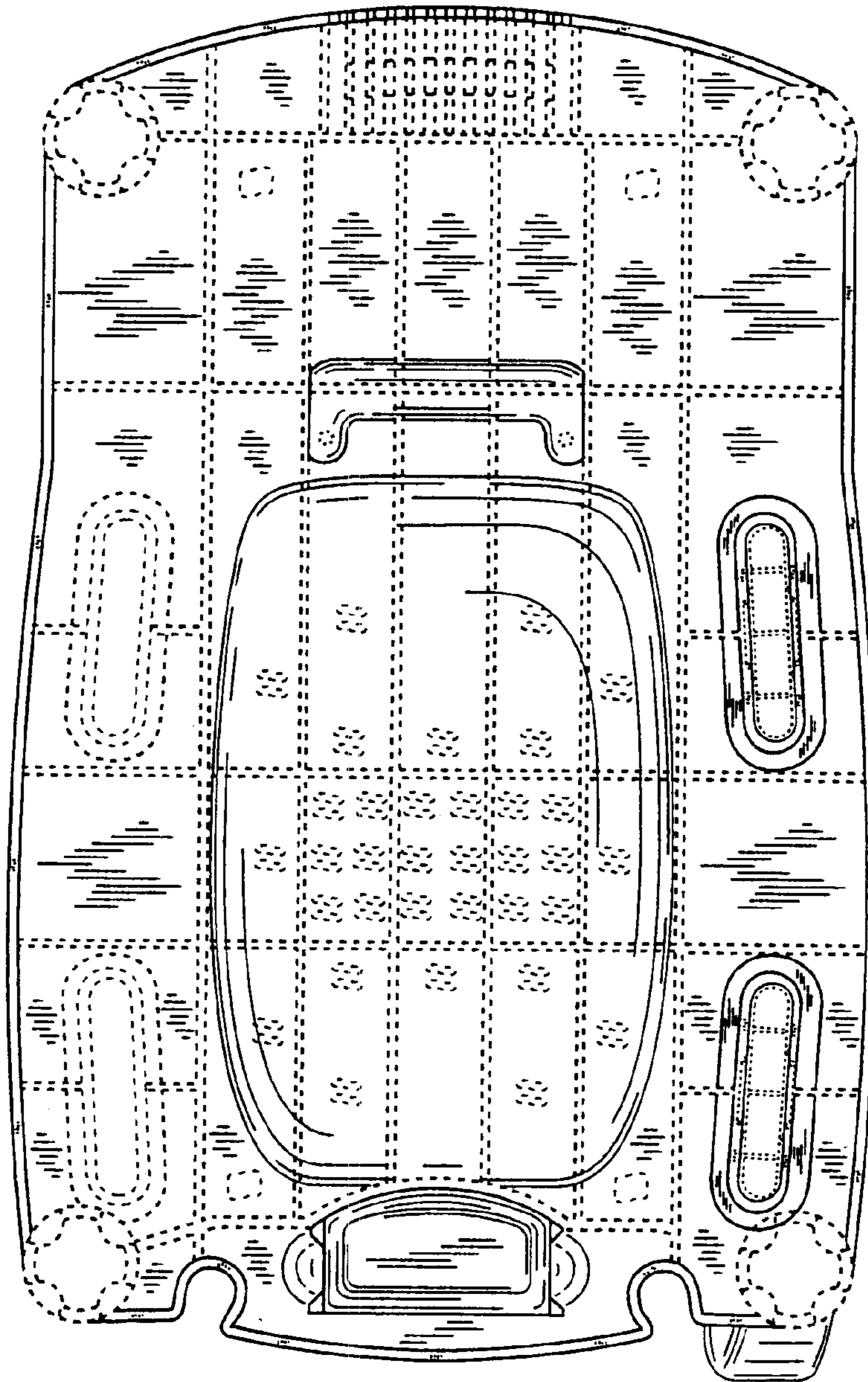


FIG. 4

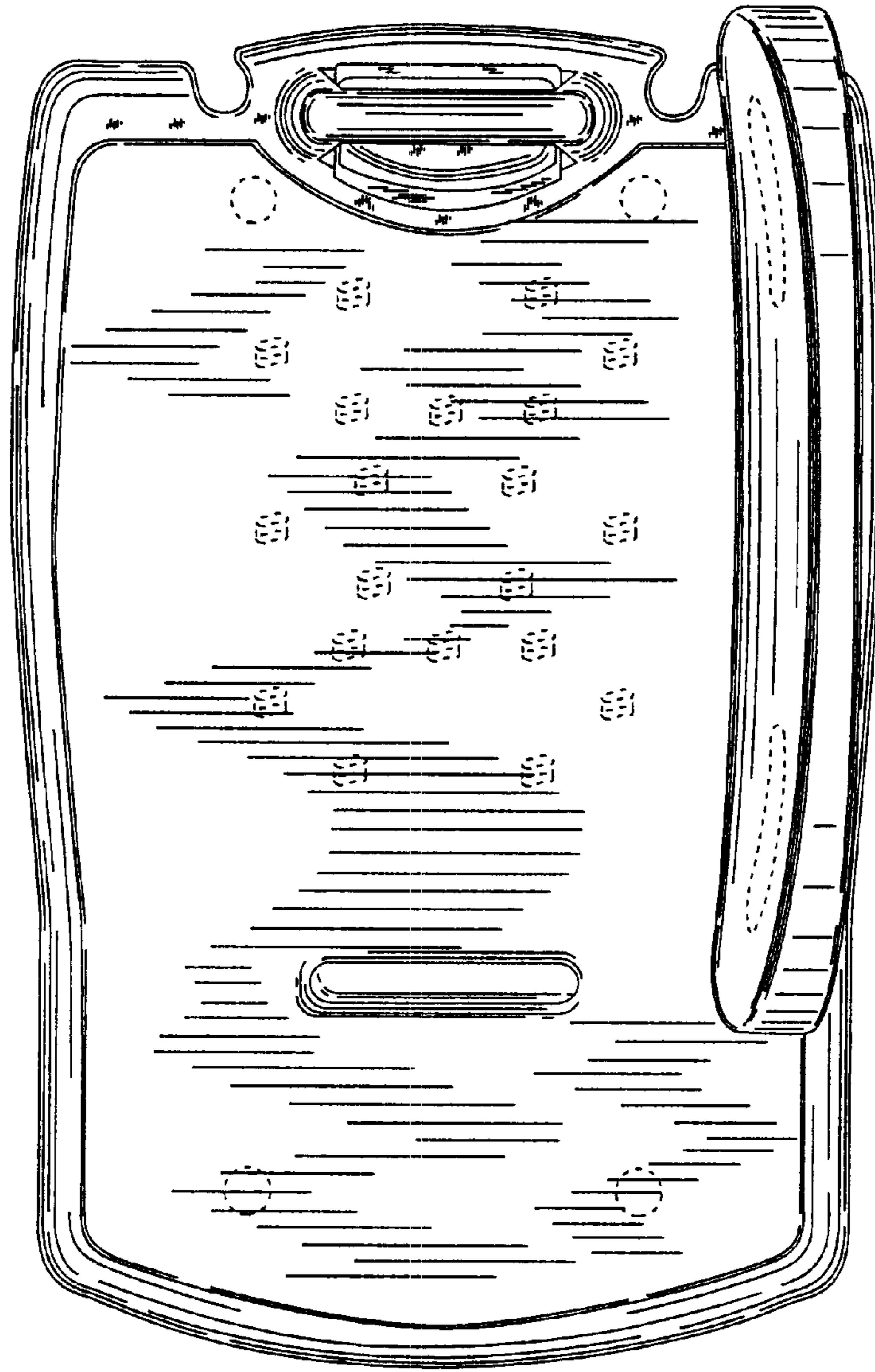


FIG. 5

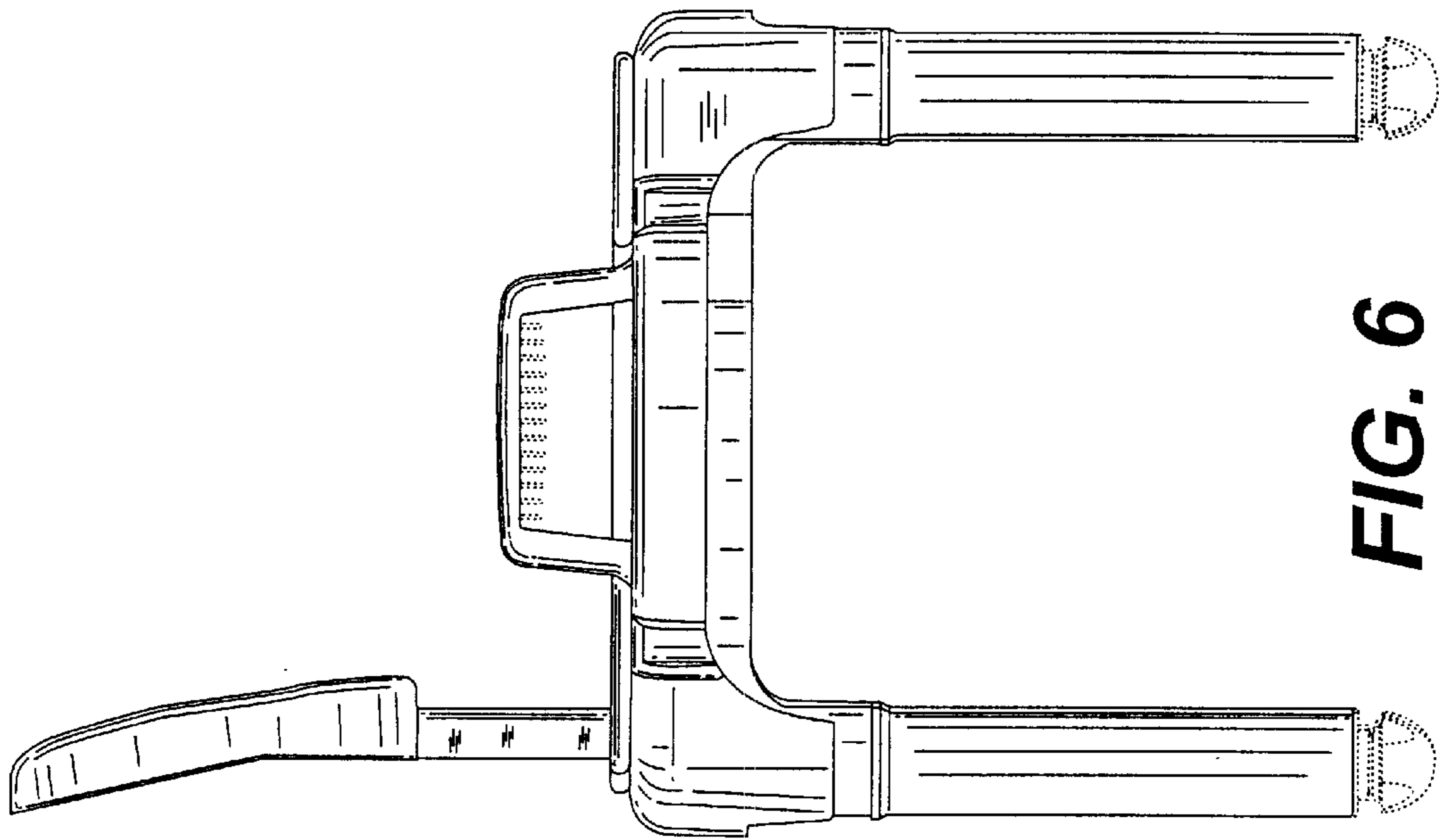


FIG. 6

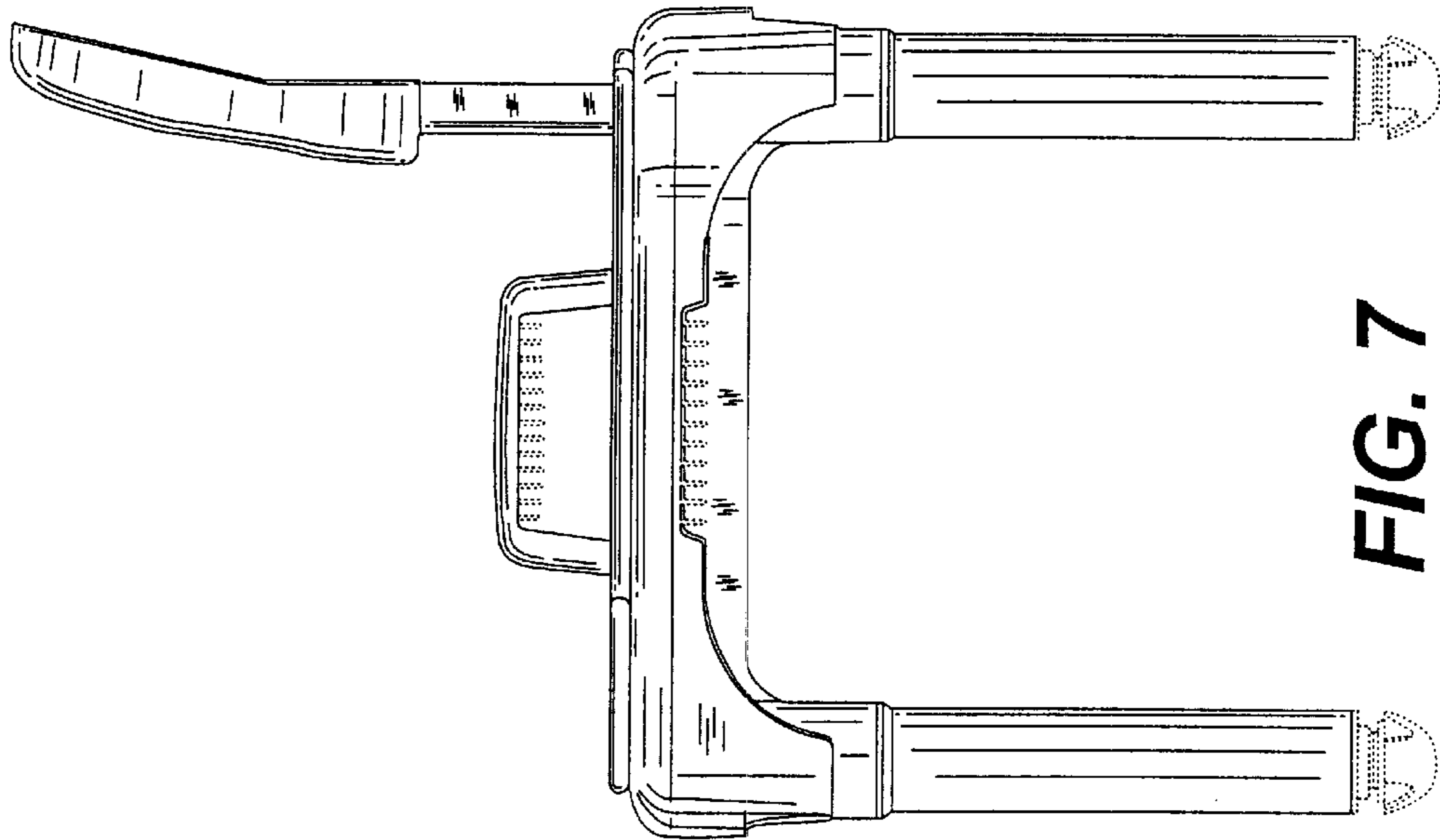


FIG. 7

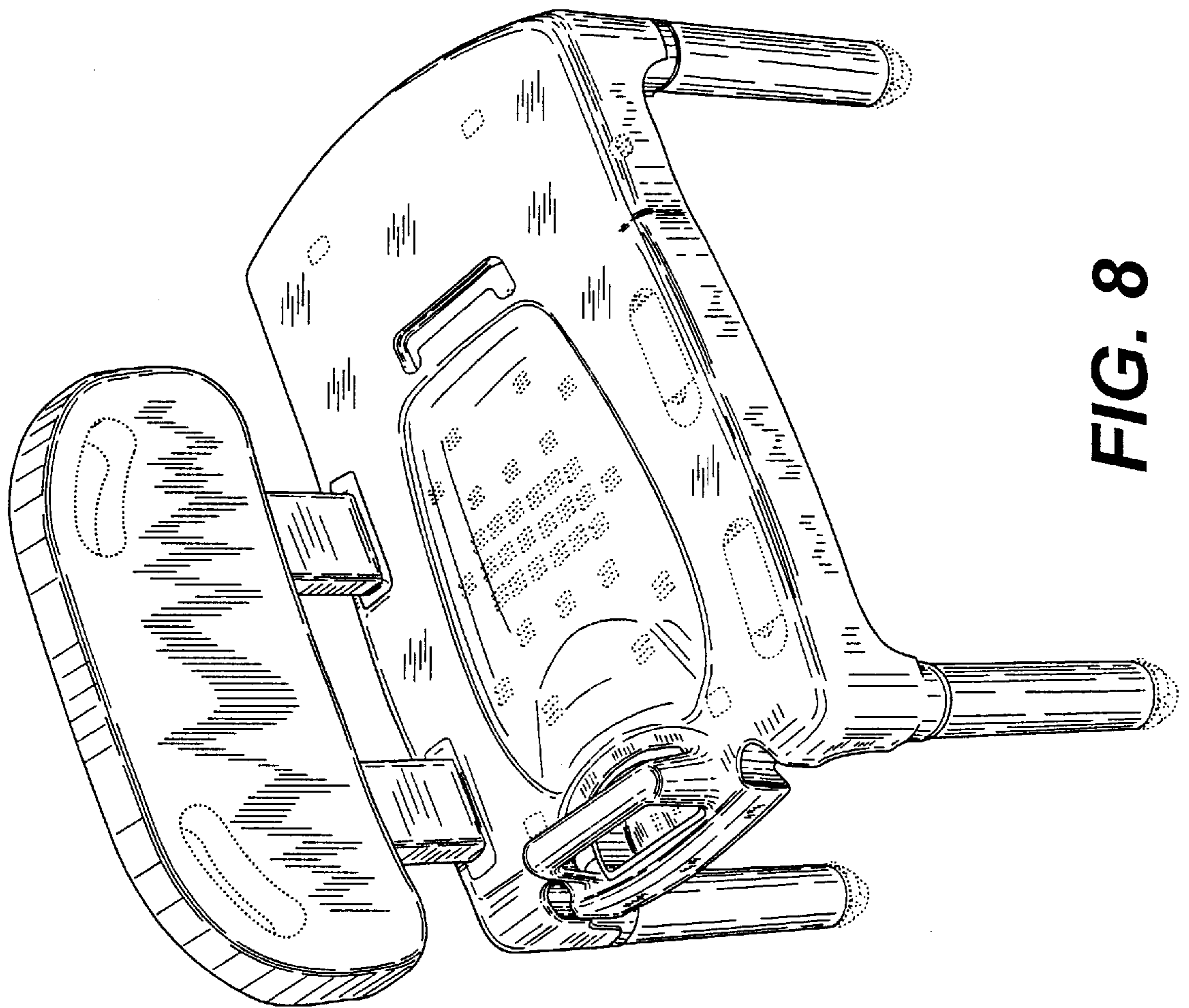


FIG. 8

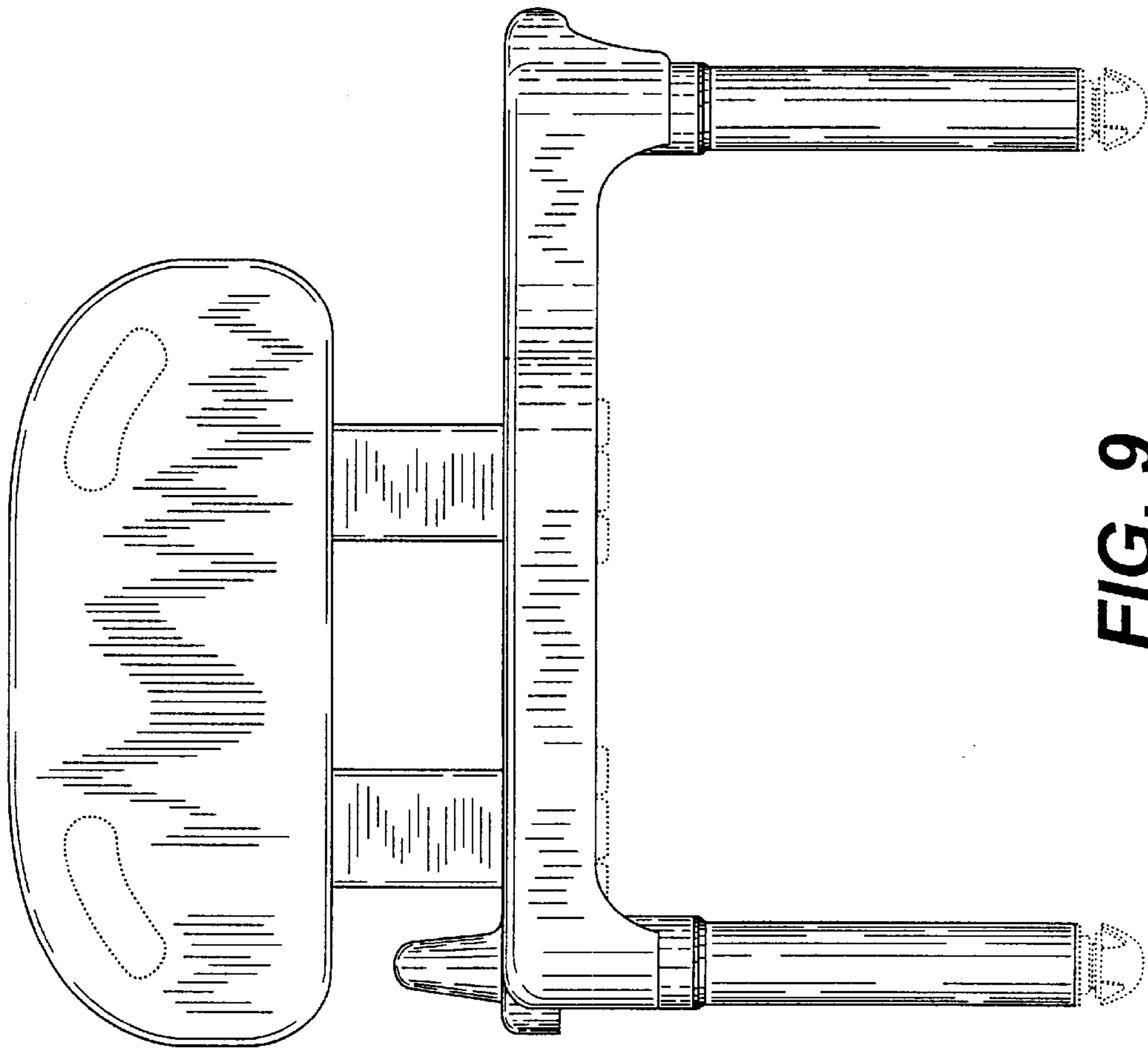


FIG. 9

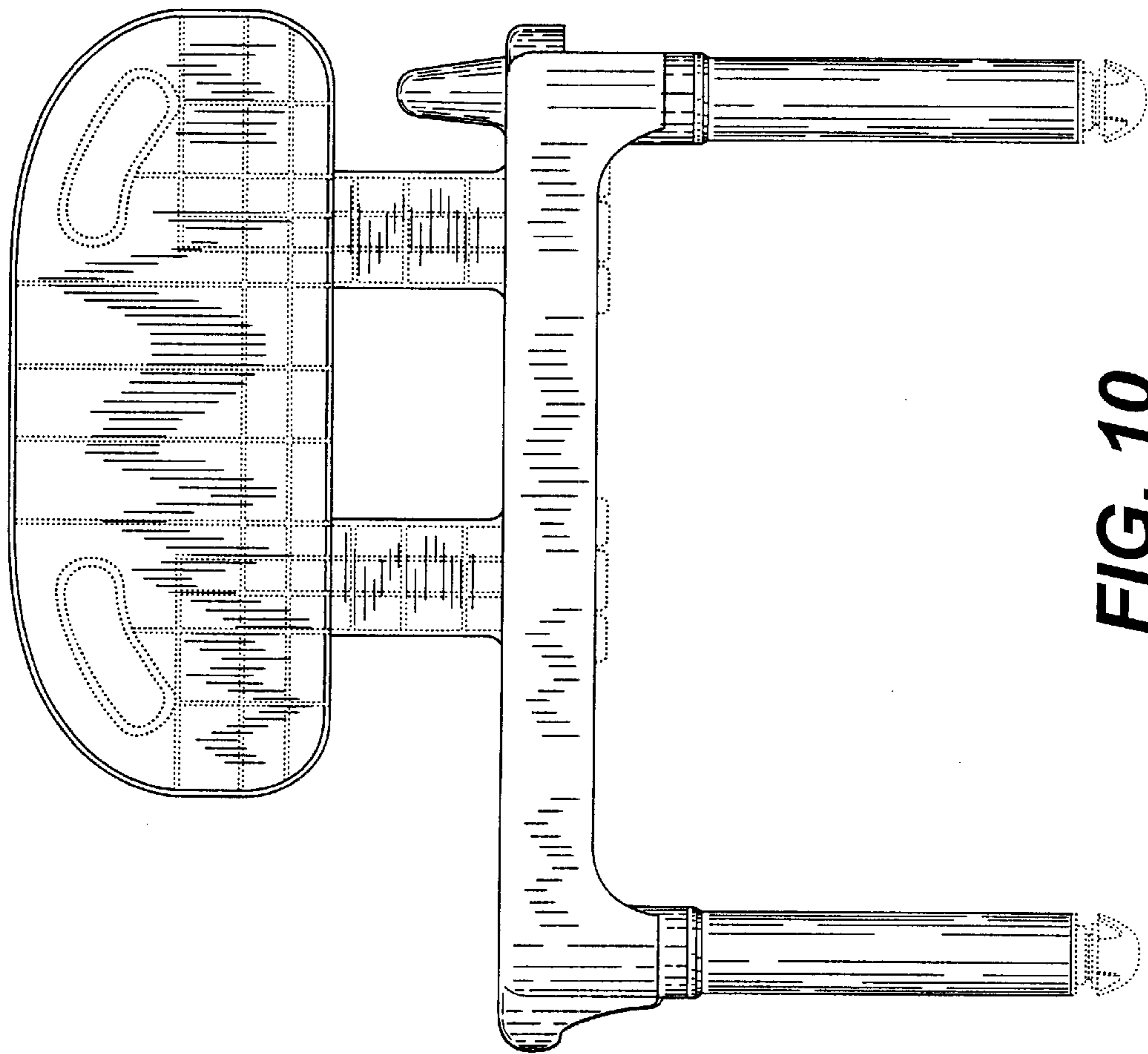


FIG. 10

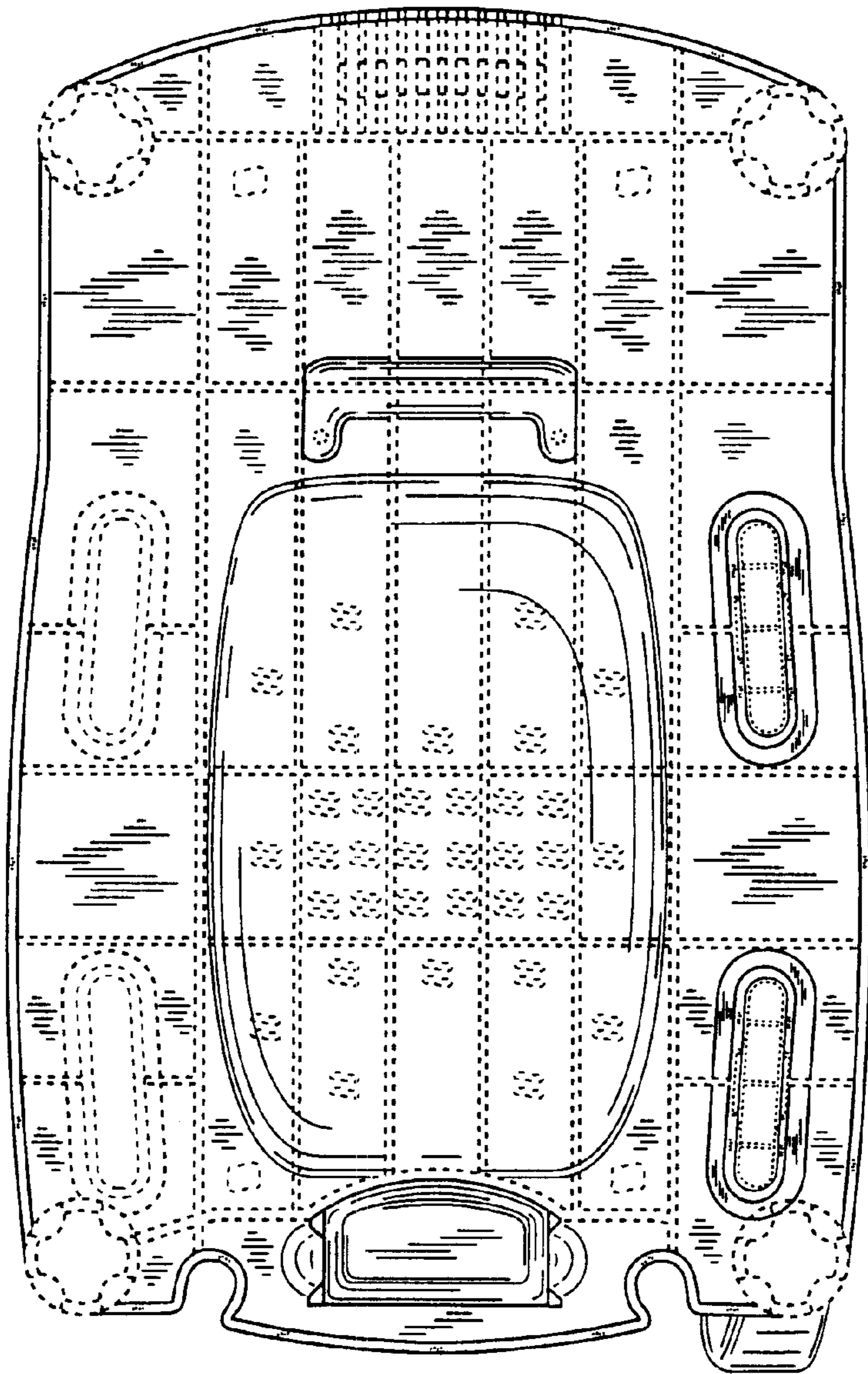


FIG. 11

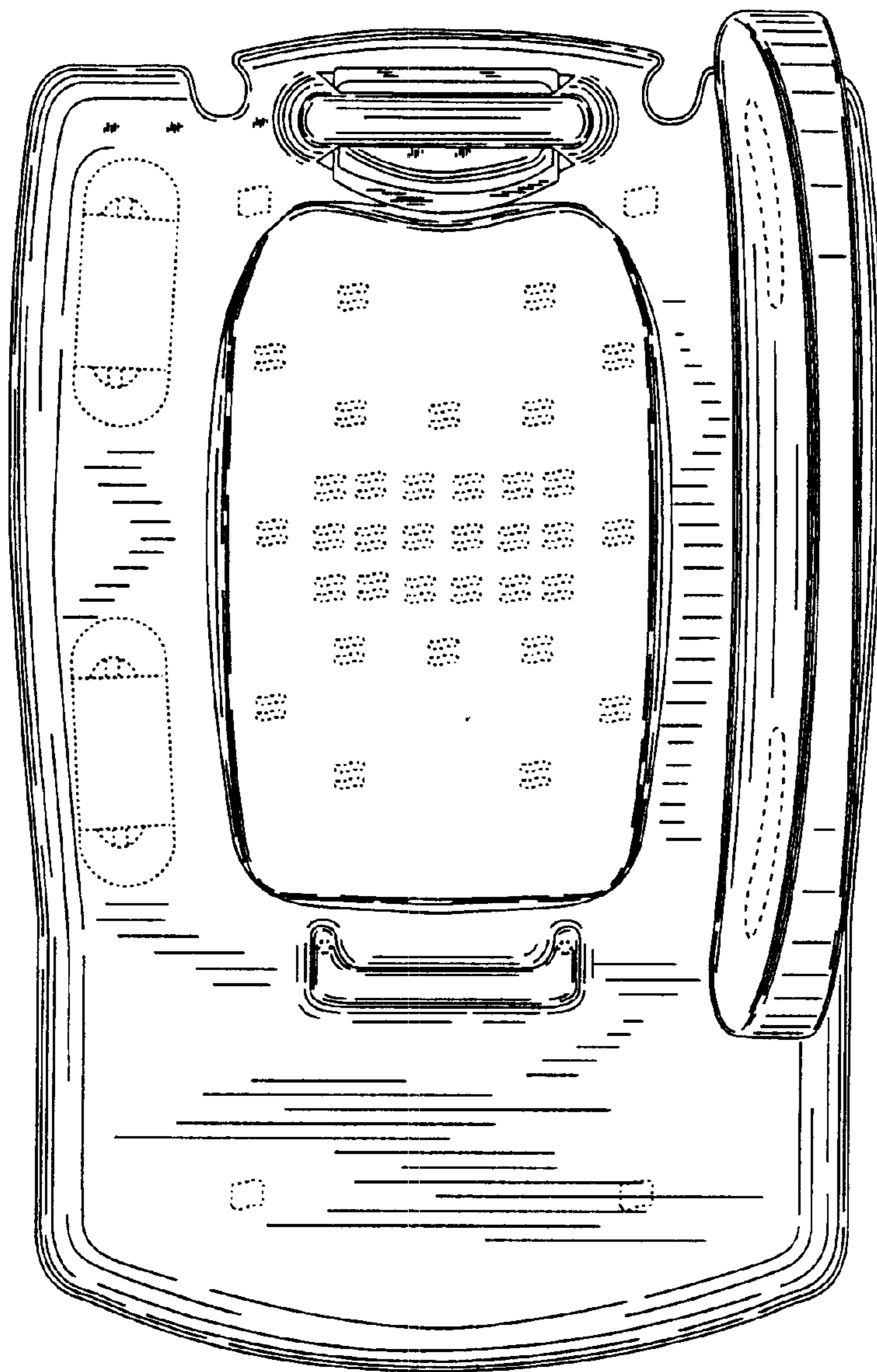


FIG. 12

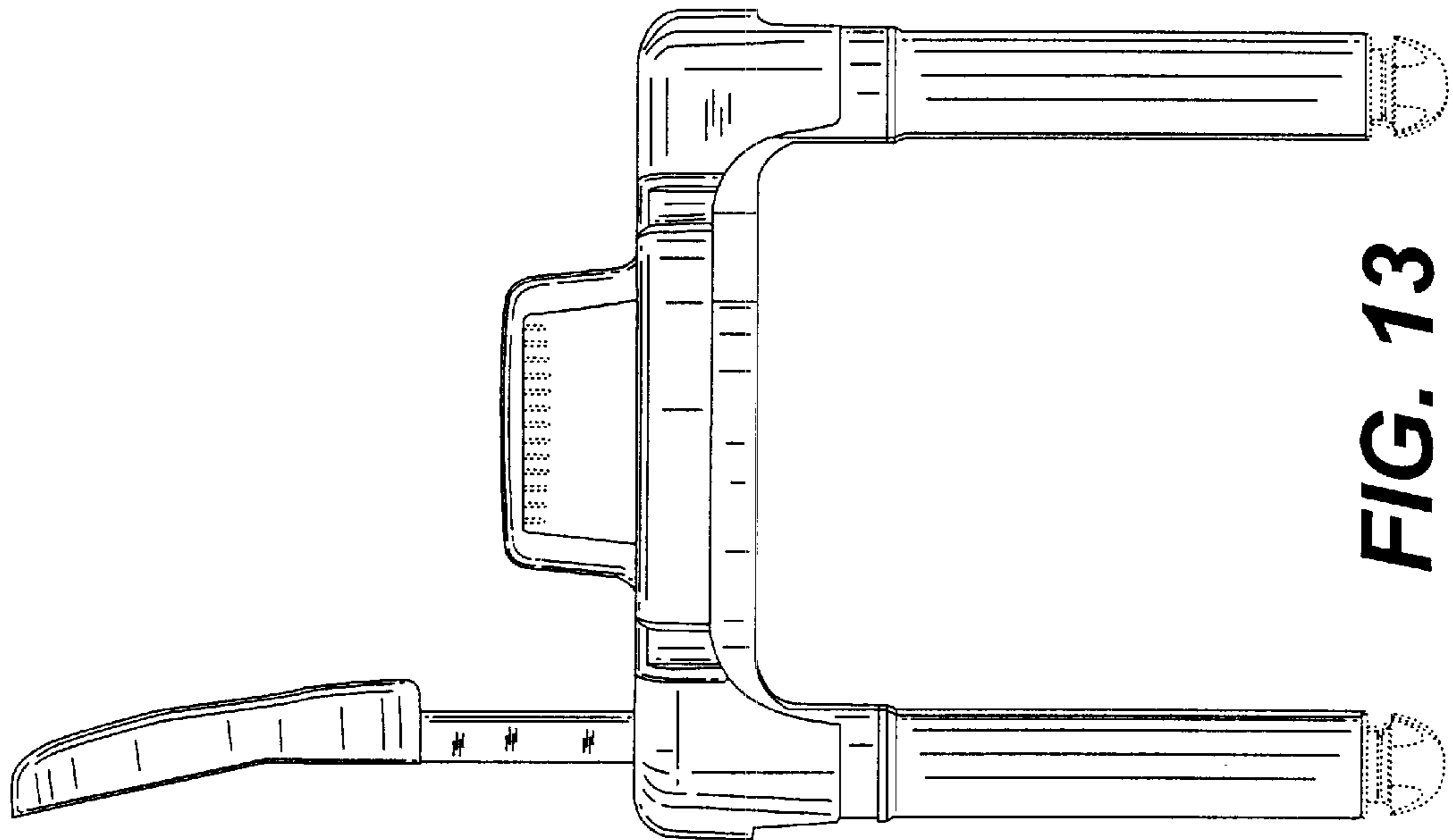


FIG. 13

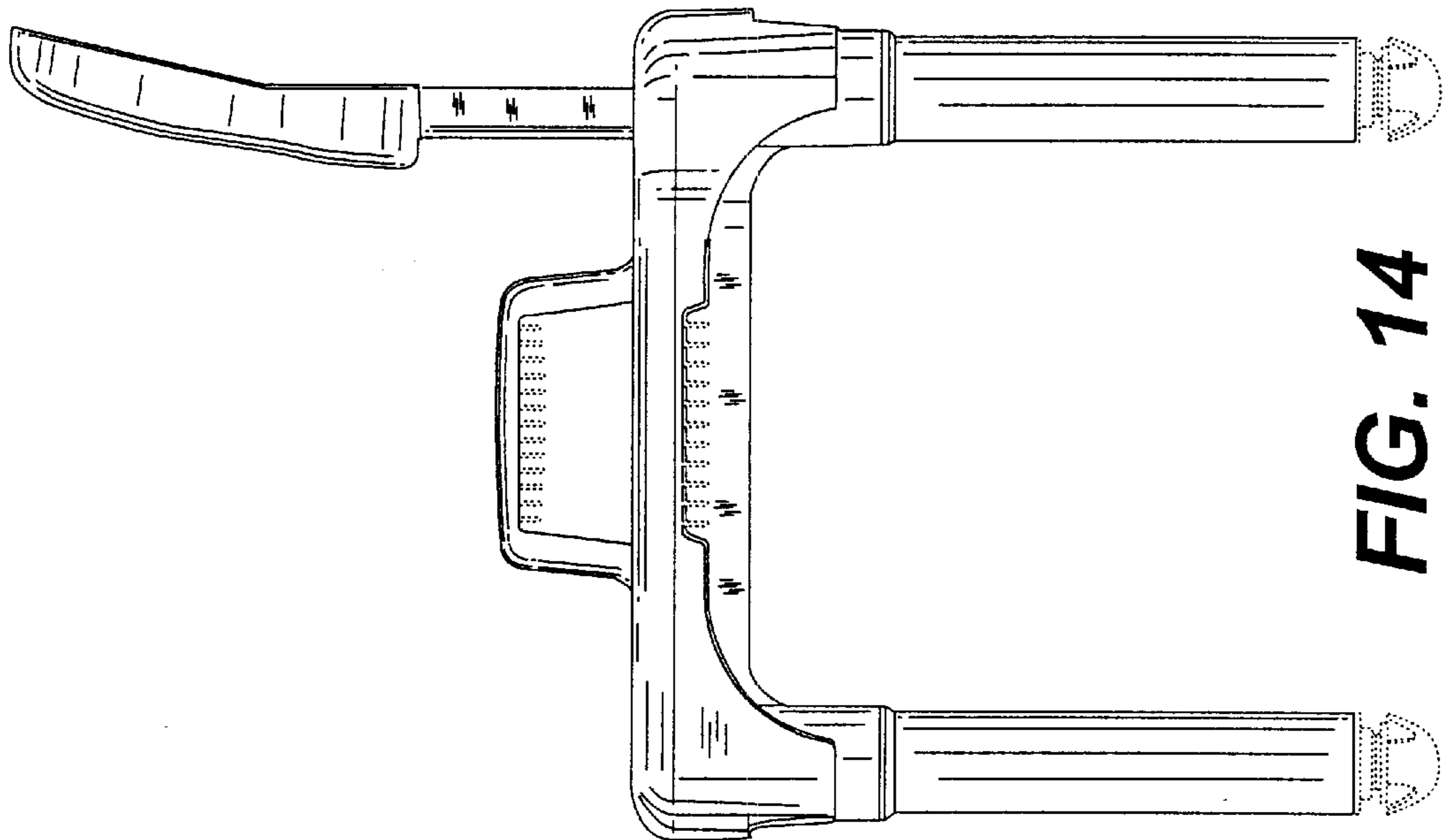


FIG. 14