



US00D479041S

(12) **United States Design Patent**
Fonfeder

(10) **Patent No.:** **US D479,041 S**

(45) **Date of Patent:** **** Sep. 2, 2003**

(54) **PENCIL CASE**

6,467,594 B1 * 10/2002 Wu 190/903 X

(75) Inventor: **Danny Fonfeder**, Montreal (CA)

* cited by examiner

(73) Assignee: **Buffalo Eastcantra, Inc.**, St-Laurent (CA)

Primary Examiner—Ian Simmons
Assistant Examiner—Monica A. Weingart
(74) *Attorney, Agent, or Firm*—RatnerPrestia

(**) Term: **14 Years**

(57) **CLAIM**

(21) Appl. No.: **29/156,083**

I claim the ornamental design for the pencil case, as shown and described.

(22) Filed: **Feb. 22, 2002**

(51) **LOC (7) Cl.** **03-01**

(52) **U.S. Cl.** **D3/206**

(58) **Field of Search** D3/201, 206, 272,
D3/273, 282, 284, 294, 298, 905; D19/35,
75, 82, 83, 85; 190/109, 119, 903; 206/214,
216, 224, 371, 372

DESCRIPTION

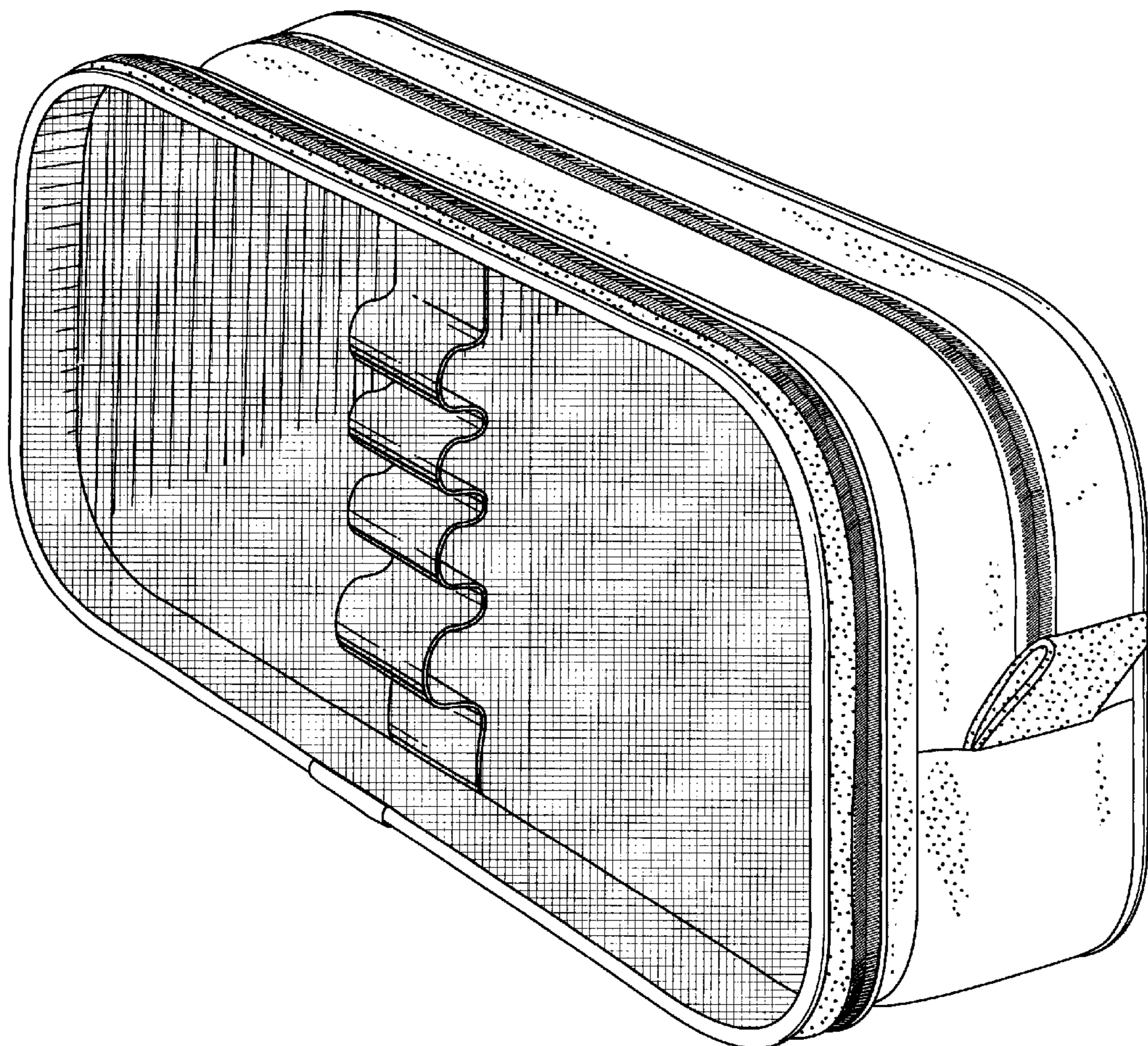
(56) **References Cited**

U.S. PATENT DOCUMENTS

D258,812 S	*	4/1981	Cox	D3/206 X
5,219,423 A	*	6/1993	Kamaya	190/903 X
5,690,216 A	*	11/1997	Liu	206/214
6,021,891 A	*	2/2000	Anderson	206/214
6,298,993 B1	*	10/2001	Kalozdi	190/109 X

FIG. 1 is a perspective view of a pencil case according to the present design;
FIG. 2 is a rear elevational view of the pencil case of FIG. 1;
FIG. 3 is a right side elevational view of the pencil case of FIG. 1;
FIG. 4 is a left side elevational view of the pencil case of FIG. 1;
FIG. 5 is a front elevational view of the pencil case of FIG. 1;
FIG. 6 is a top plan view of the pencil case of FIG. 1; and,
FIG. 7 is a bottom plan view of the pencil case of FIG. 1.

1 Claim, 4 Drawing Sheets



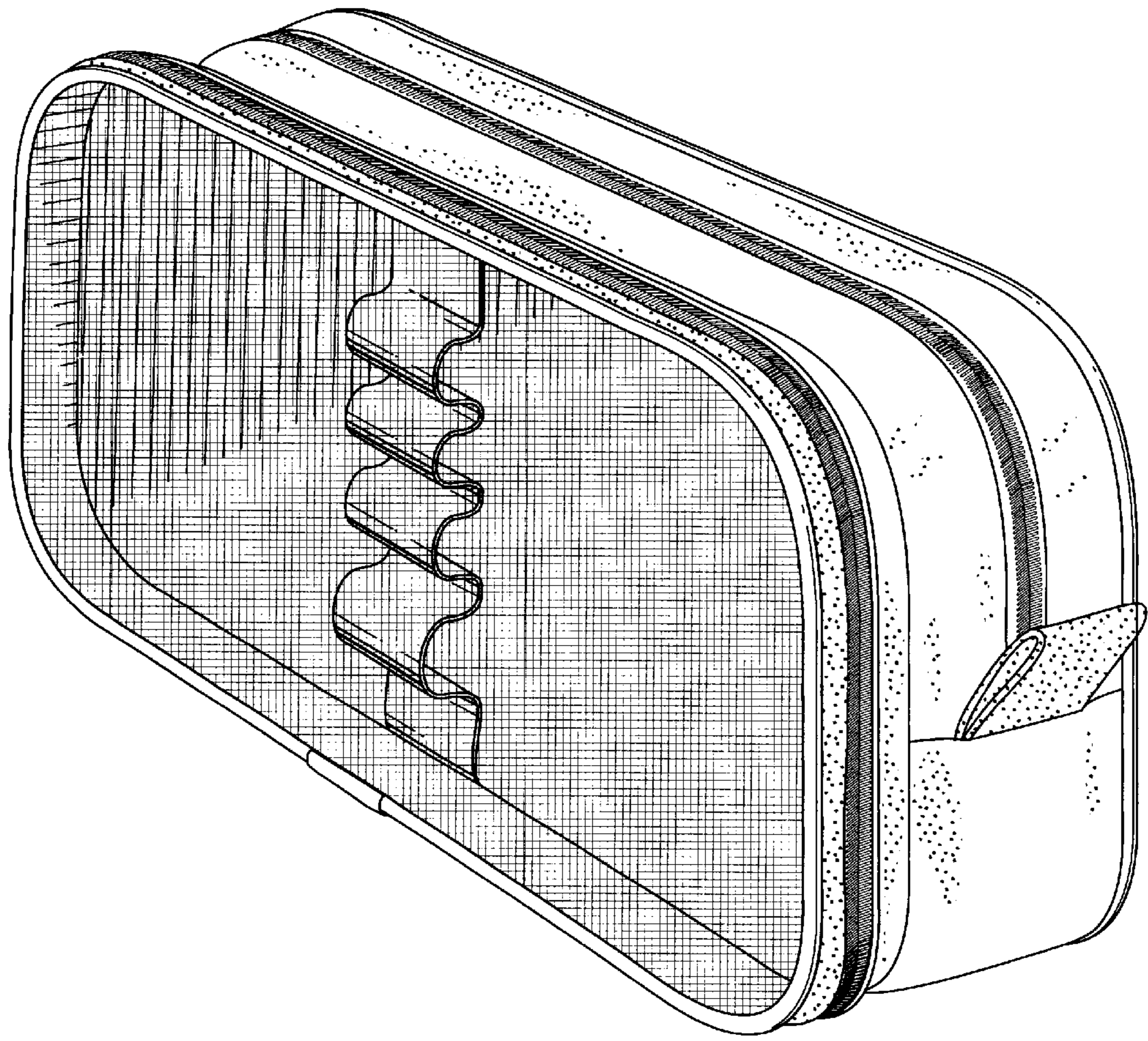


Fig.1

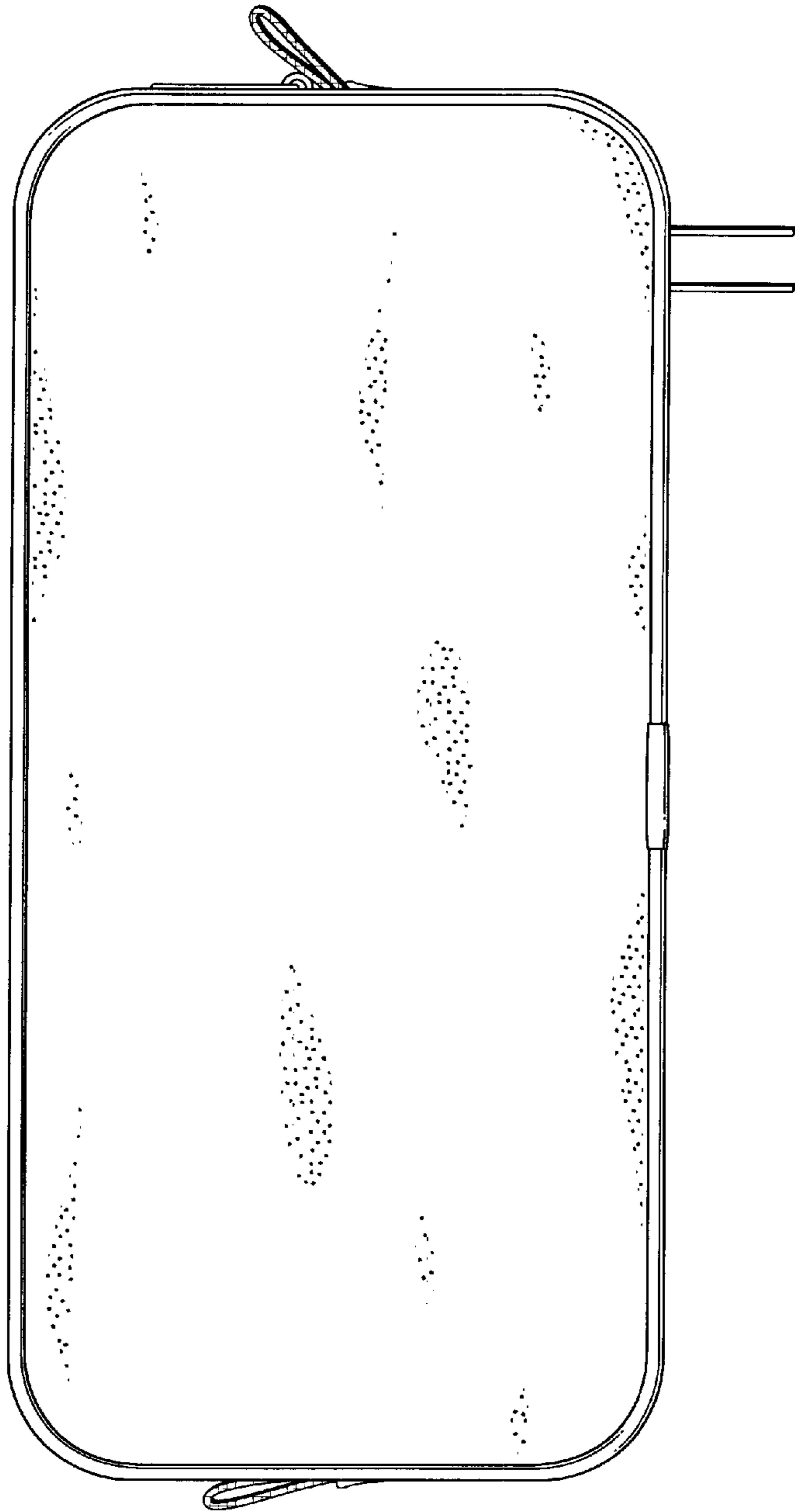


Fig. 2

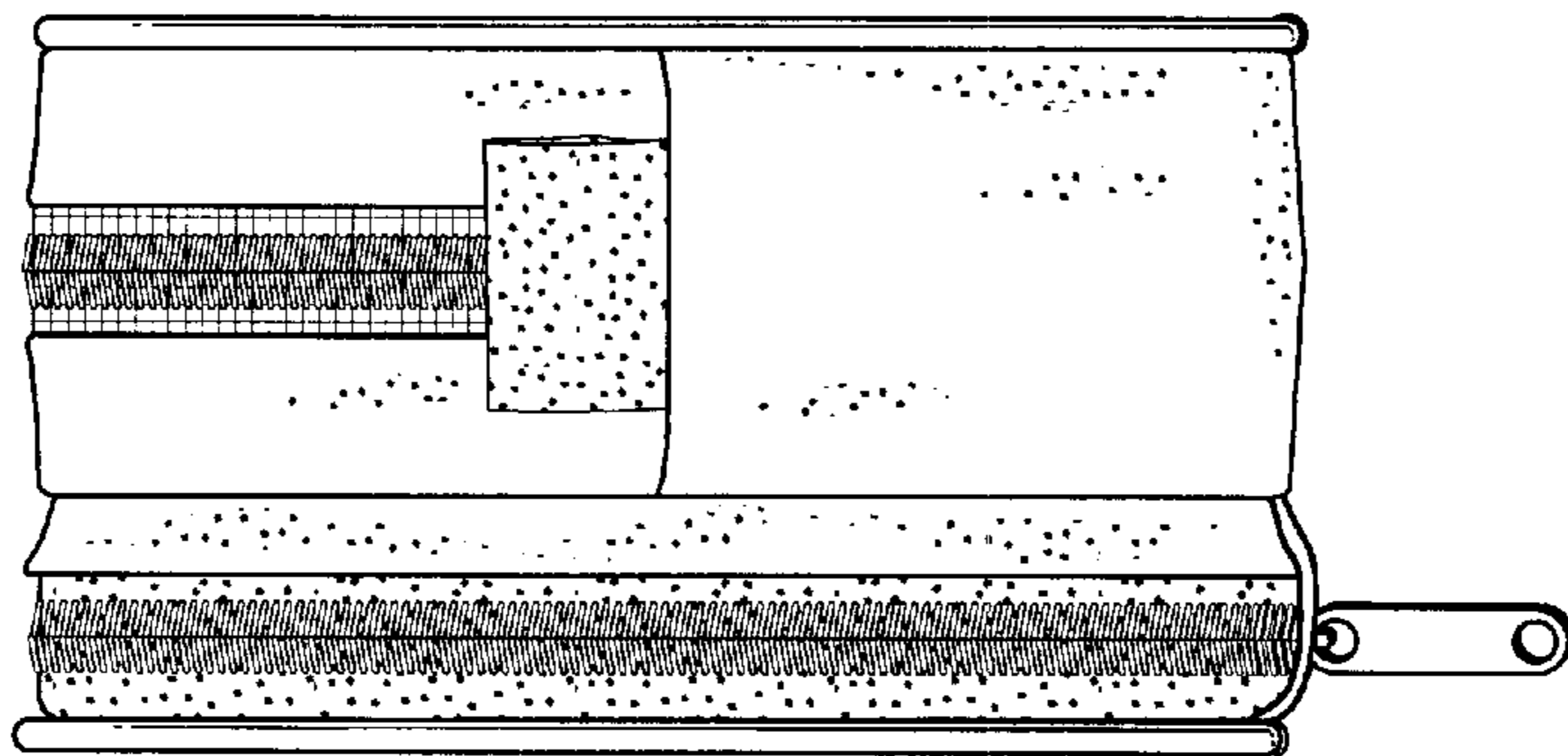


Fig. 3

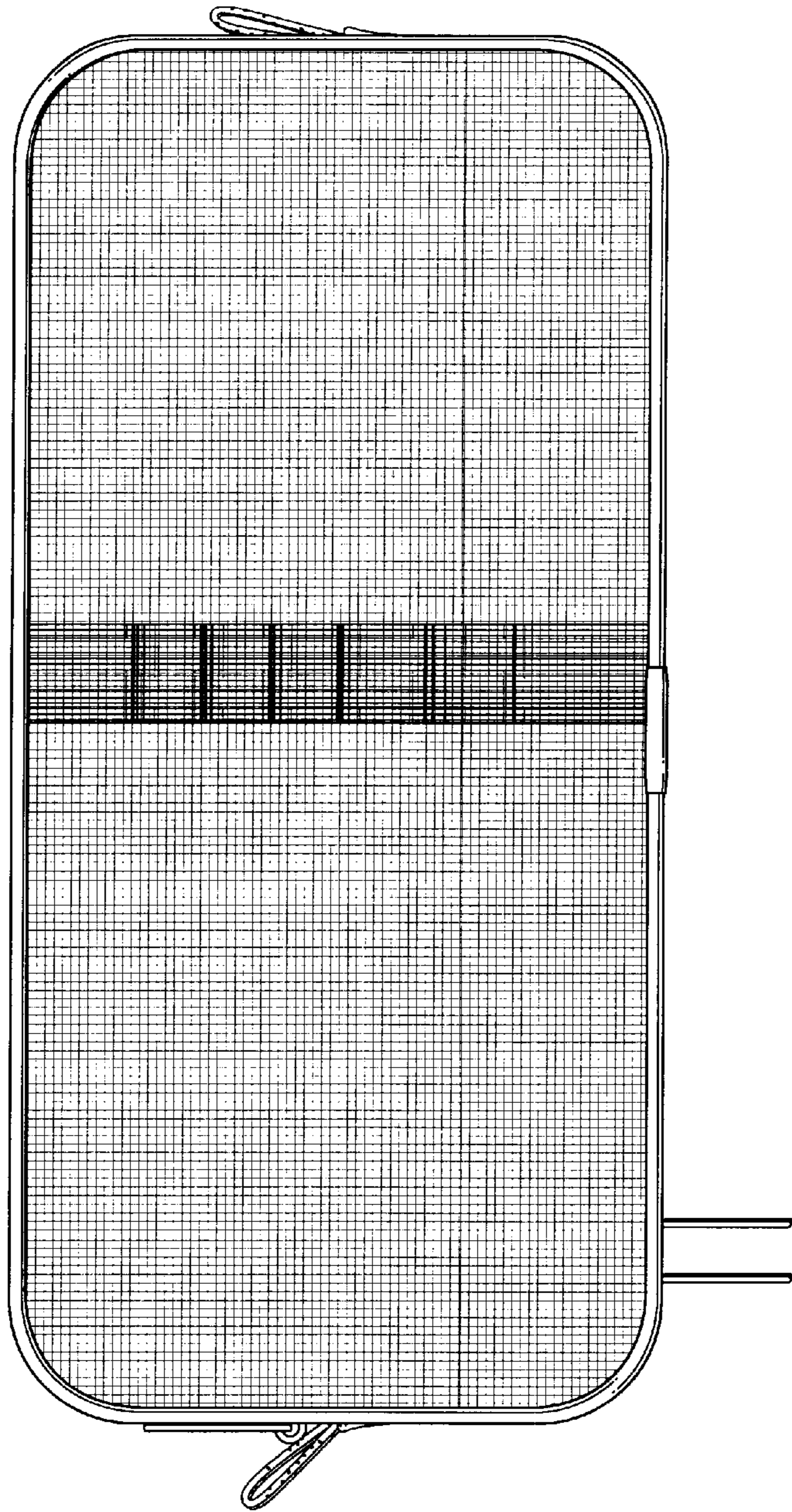


Fig.5

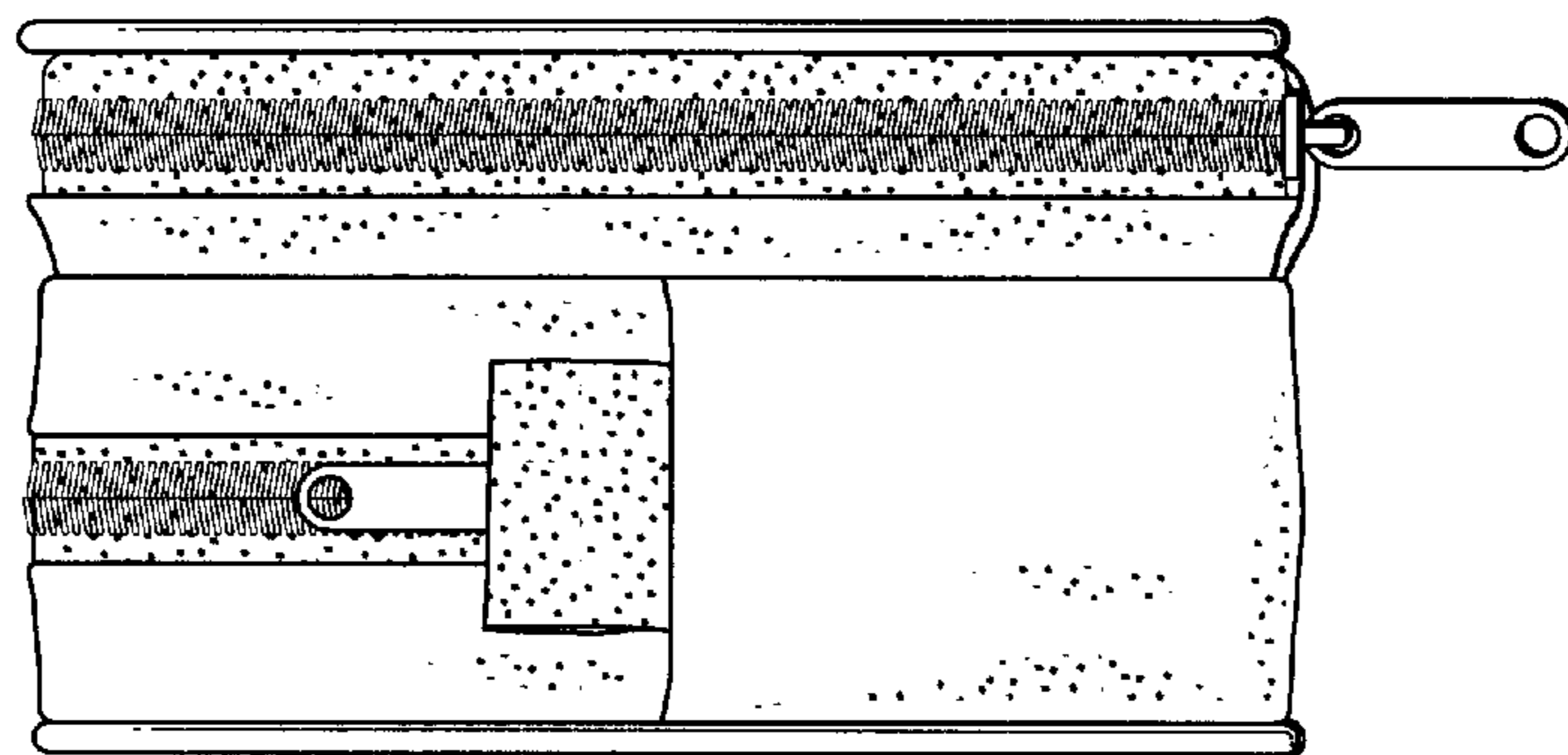


Fig.4

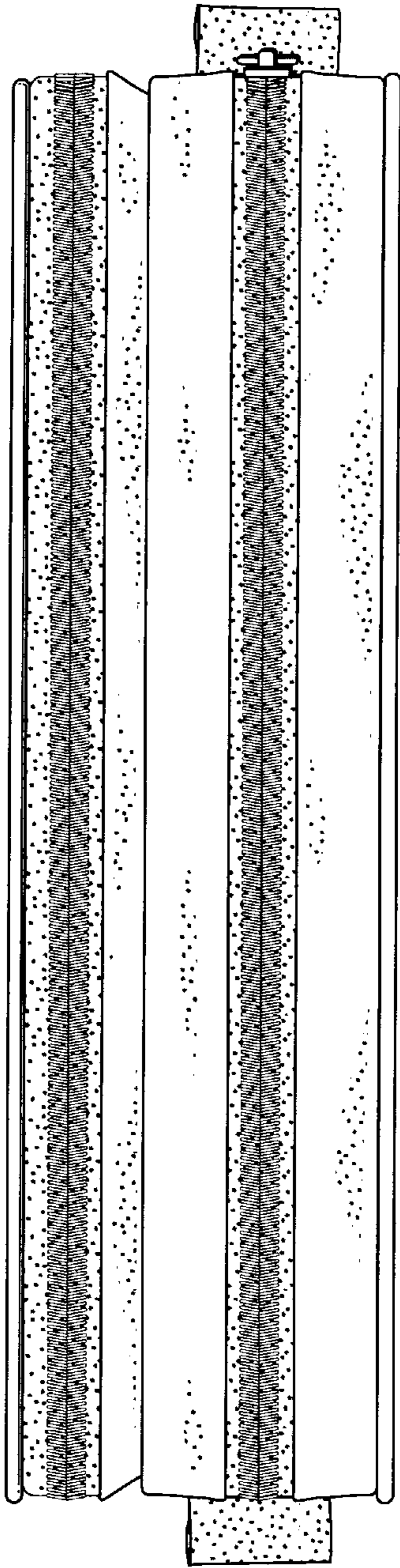


Fig. 6

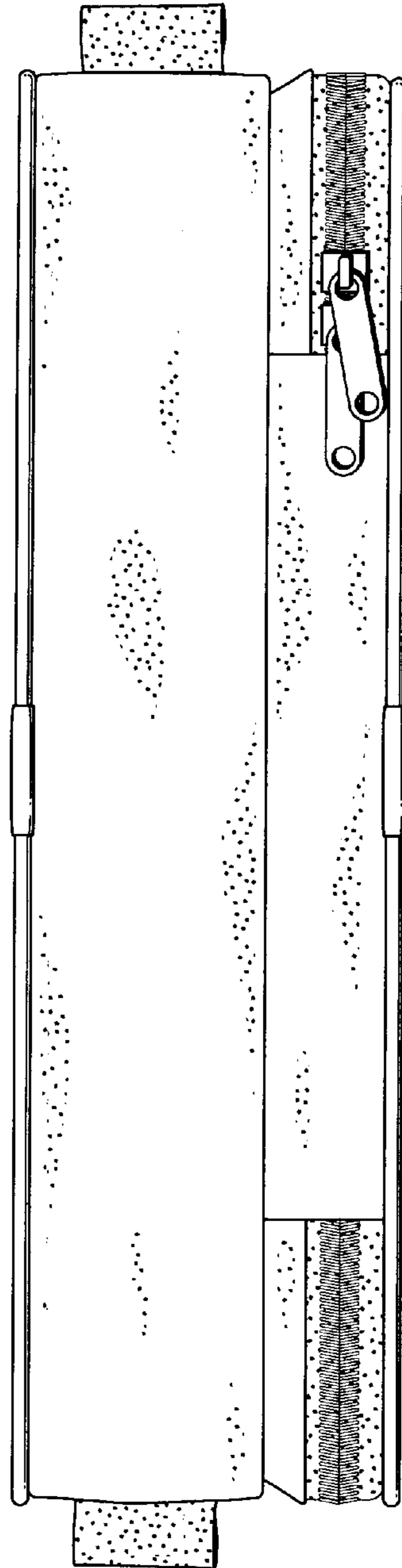


Fig. 7