



US00D479028S

(12) **United States Design Patent**  
**Moon et al.**

(10) **Patent No.:** **US D479,028 S**

(45) **Date of Patent:** **\*\* Aug. 26, 2003**

(54) **GARDEN CART**

(75) Inventors: **Brian Moon**, Dekalb, IL (US); **Kevin J. Markley**, Joliet, IL (US); **Torrence Anderson**, Overland Park, KS (US)

(73) Assignee: **Suncast Corporation**, Batavia, IL (US)

(\*\*) Term: **14 Years**

(21) Appl. No.: **29/170,163**

(22) Filed: **Oct. 31, 2002**

(51) **LOC (7) Cl.** ..... **12-02**

(52) **U.S. Cl.** ..... **D34/21; D34/24**

(58) **Field of Search** ..... **D34/12-27; D6/445, D6/480, 481, 440, 446; 280/79.11, 79.2, 79.3, 47.35, 47.19; 312/283, 319.3, 333**

(56) **References Cited**

**U.S. PATENT DOCUMENTS**

D208,536 S \* 9/1967 Clark et al. .... D34/24  
D361,910 S \* 9/1995 Maple et al. .... D6/445

D403,826 S \* 1/1999 Tisbo et al. .... D34/24  
D406,431 S \* 3/1999 Tisbo et al. .... D34/20  
D457,704 S \* 5/2002 Fiscus et al. .... D34/20  
D461,941 S \* 8/2002 Underbrink et al. .... D34/21

\* cited by examiner

*Primary Examiner*—Kay H. Chin

(74) *Attorney, Agent, or Firm*—McHale & Slavin, P.A

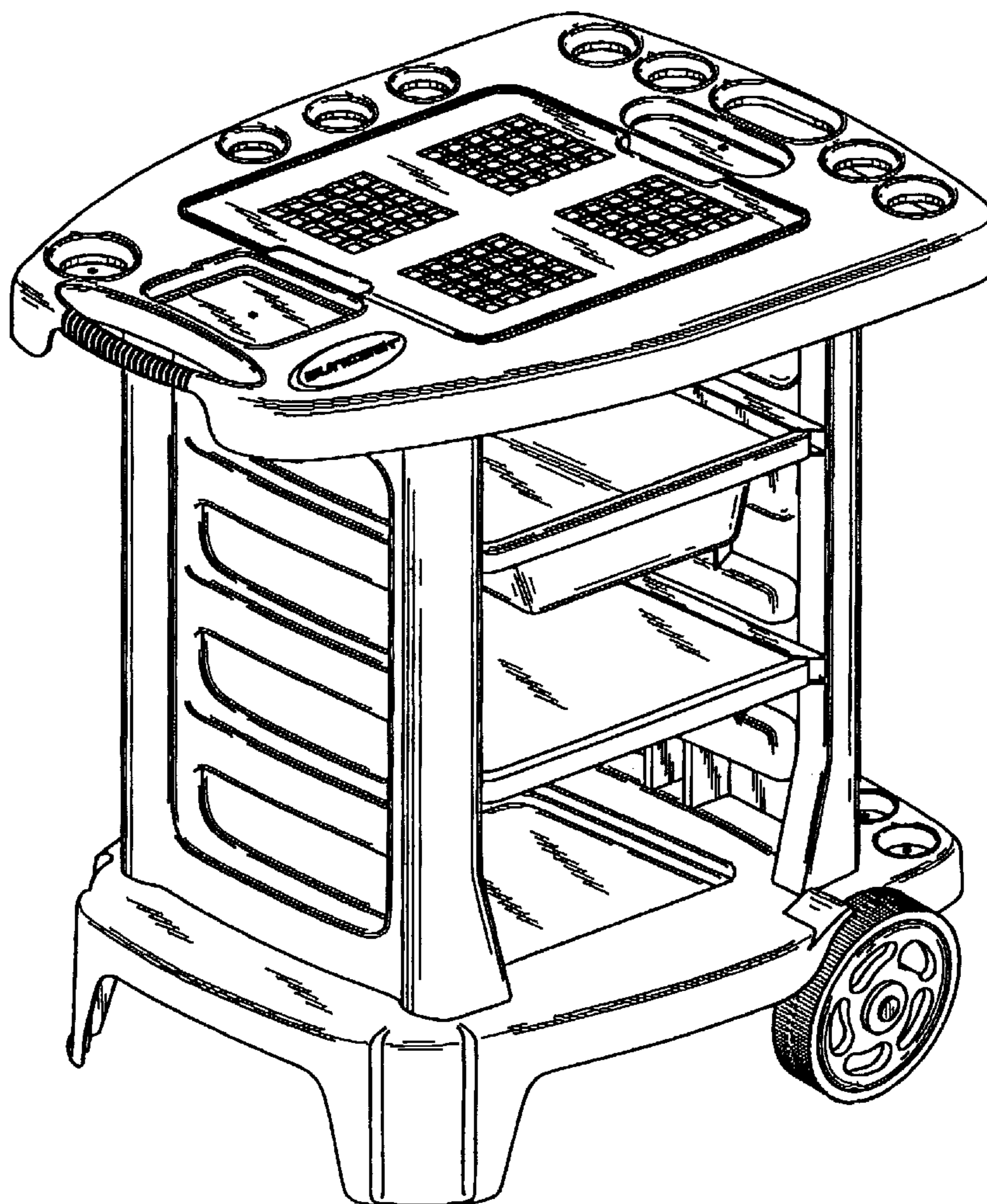
(57) **CLAIM**

The ornamental design for a garden cart, as shown and described.

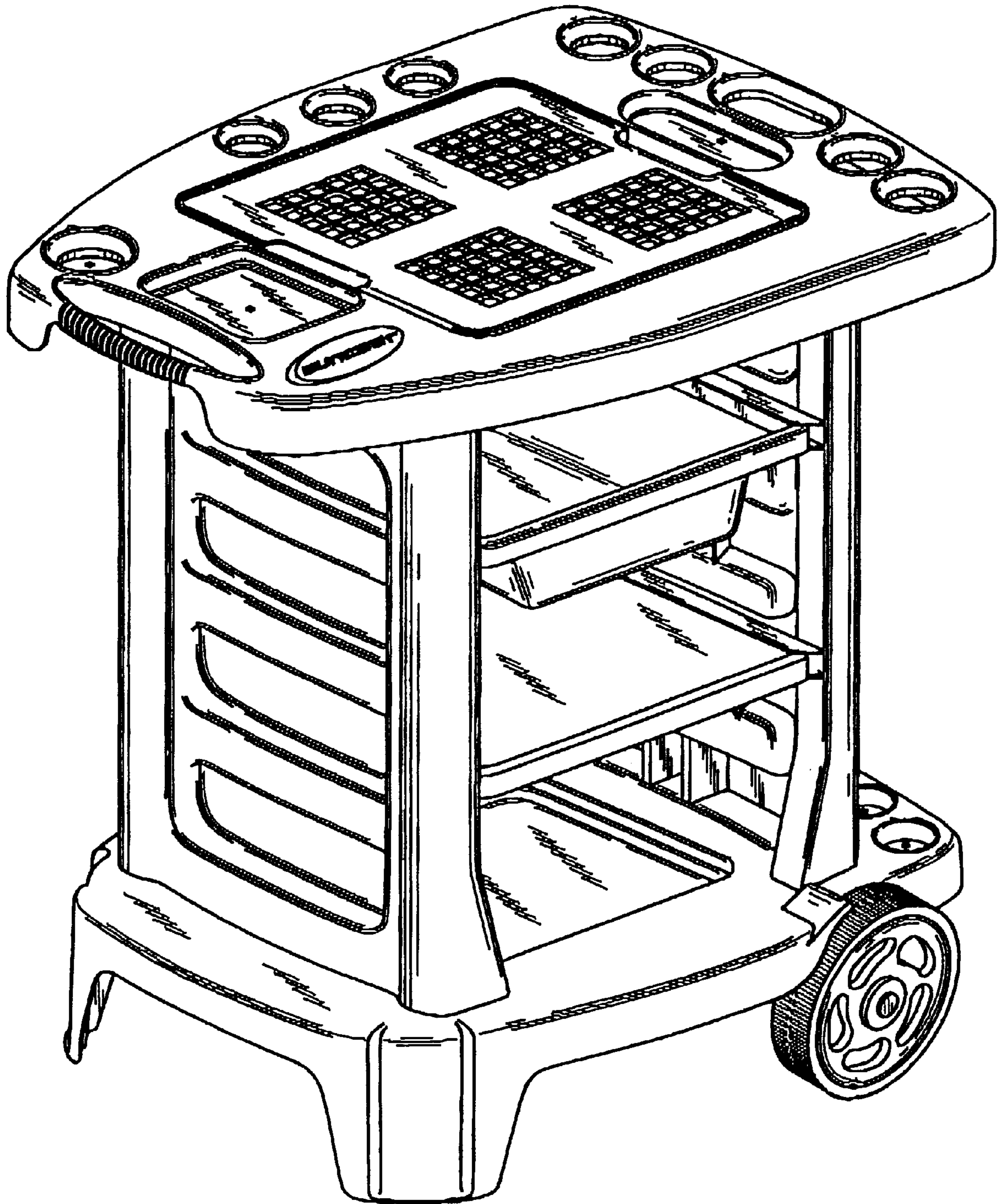
**DESCRIPTION**

FIG. 1 is a perspective view of the garden cart of the instant invention;  
FIG. 2 is a right side view thereof;  
FIG. 3 is a top plane view thereof;  
FIG. 4 is a back plane view thereof;  
FIG. 5 is a front plane view thereof;  
FIG. 6 is a left side view thereof; and,  
FIG. 7 is a bottom plane view thereof.

**1 Claim, 7 Drawing Sheets**



*FIG. 1*



*FIG. 2*

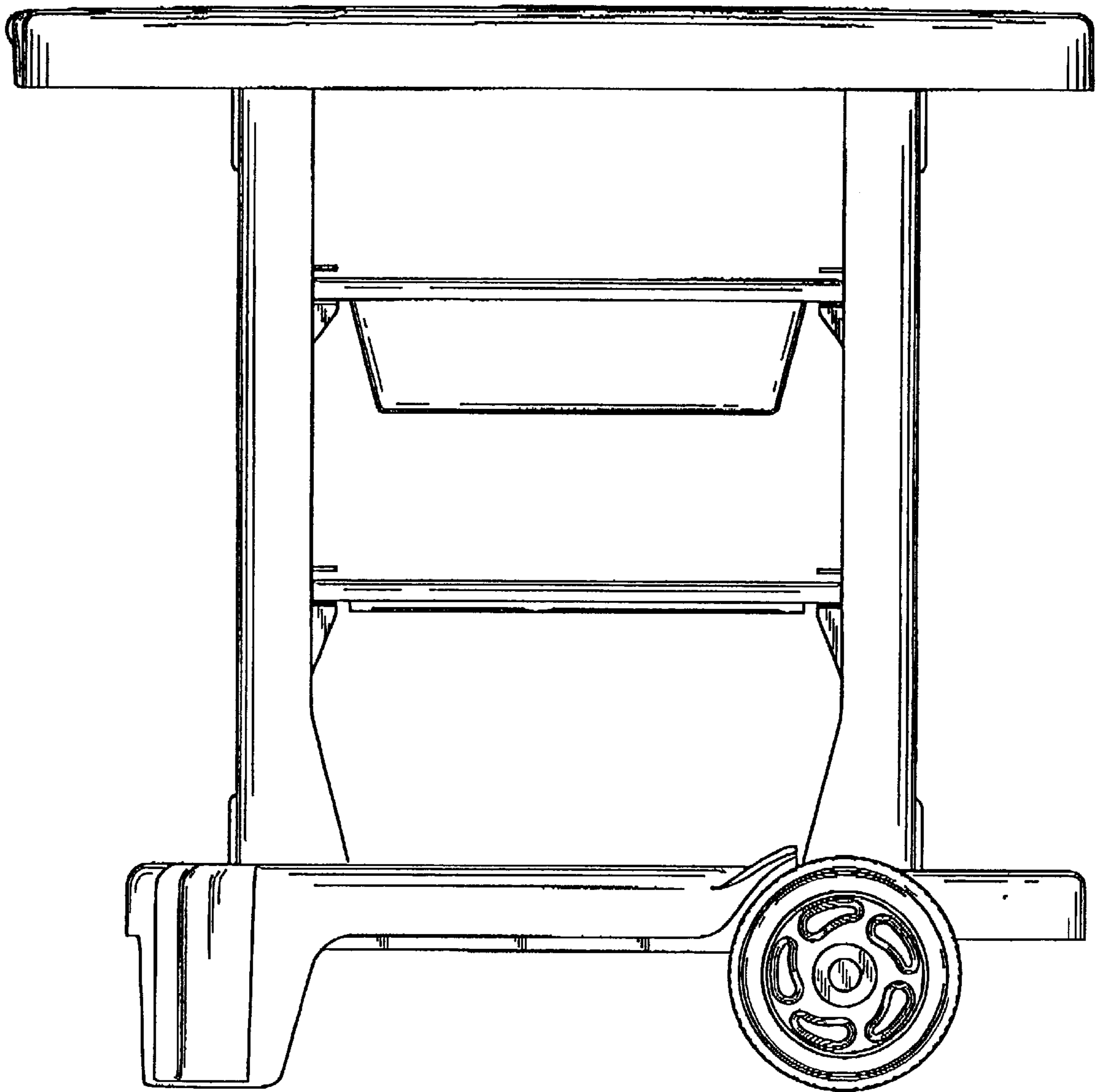
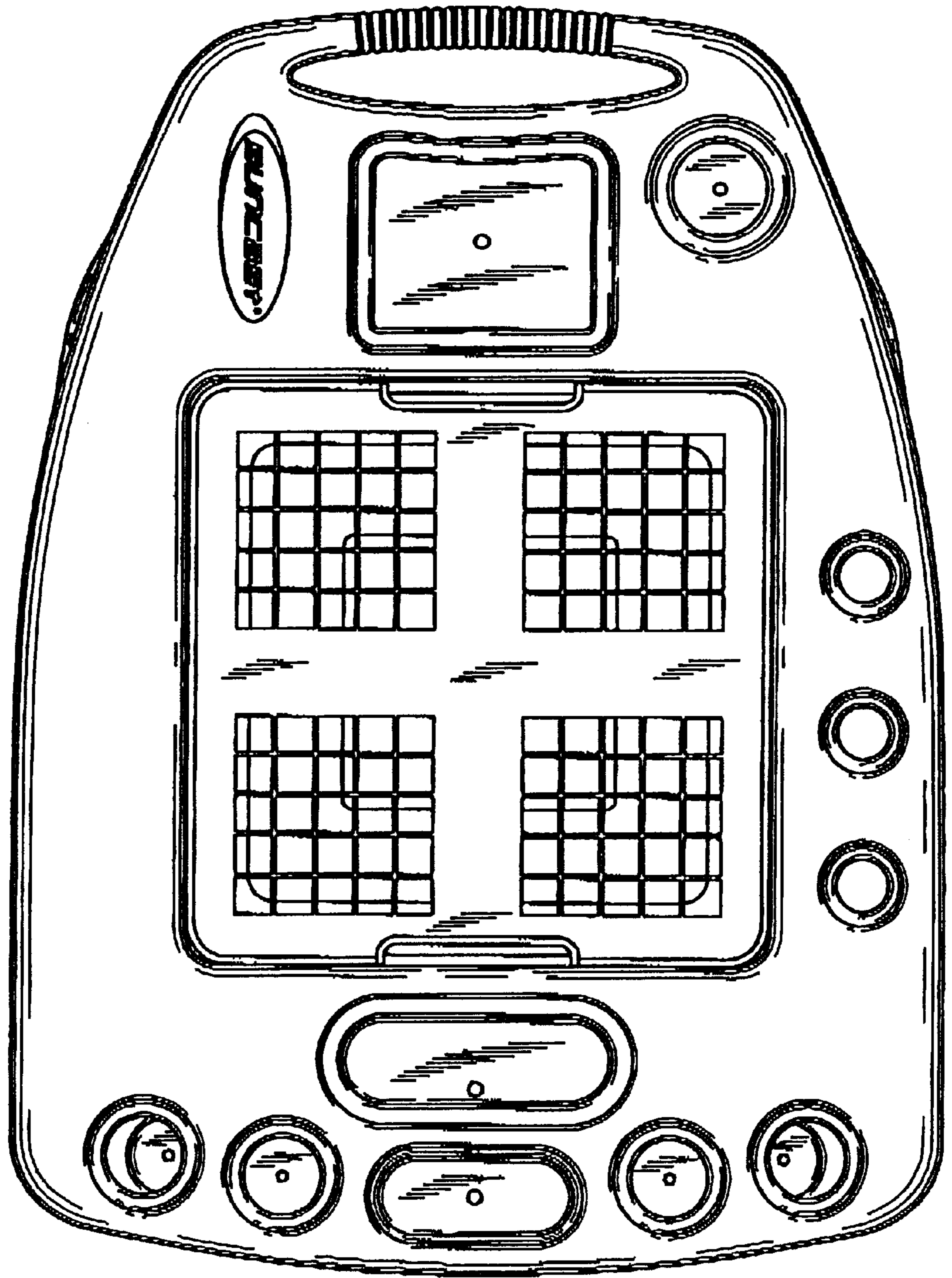
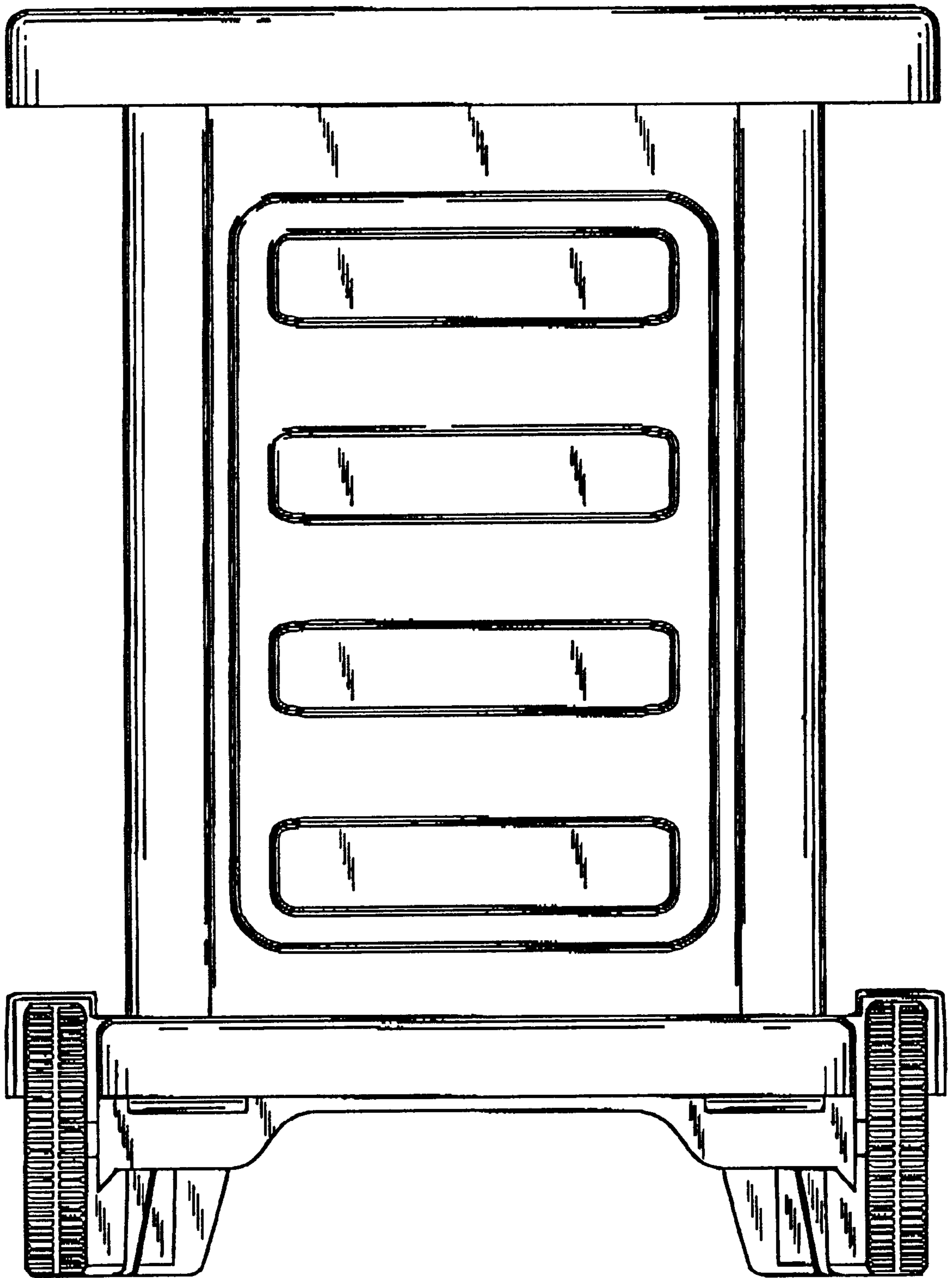


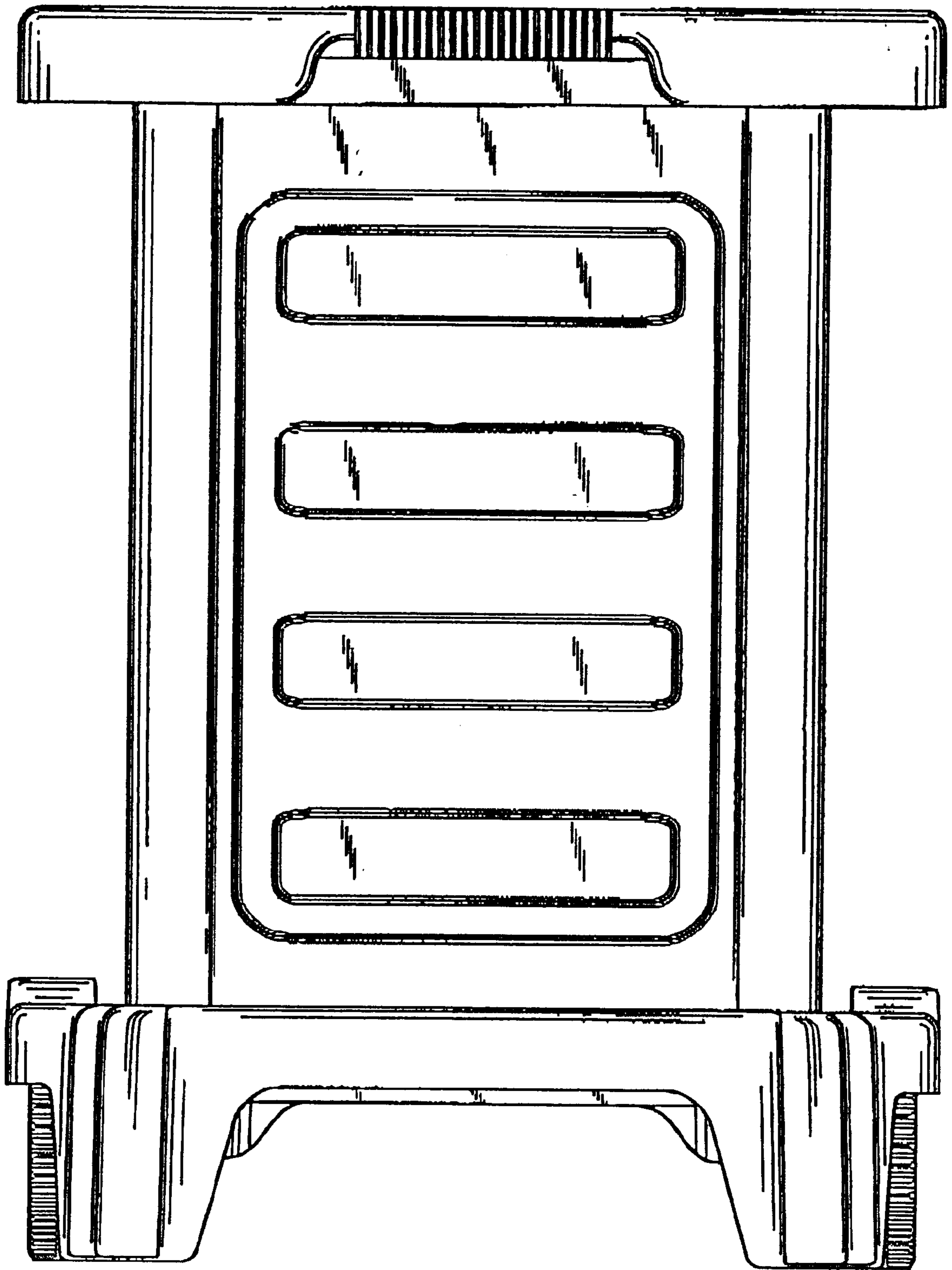
FIG. 3



*FIG. 4*



*FIG. 5*



*FIG. 6*

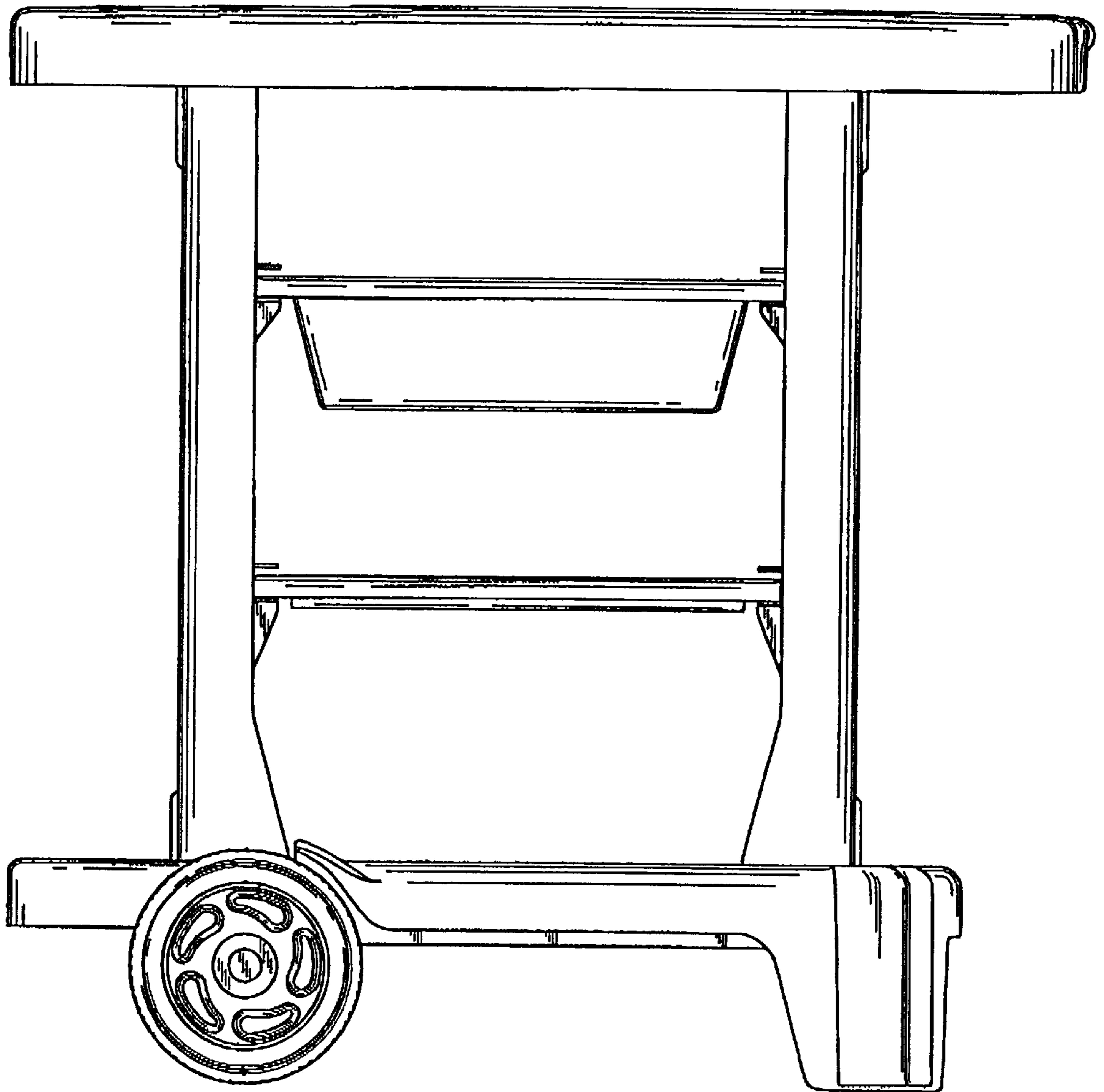


FIG. 7

