



US00D479023S

(12) **United States Design Patent**
Holsten et al.

(10) **Patent No.:** **US D479,023 S**

(45) **Date of Patent:** **** Aug. 26, 2003**

(54) **COMBINED WET/DRY VACUUM CLEANER**

(75) Inventors: **Suart V. Holsten**, O'Fallon, MO (US);
Kiyoshi Hoshino, Chesterfield, MO (US)

(73) Assignee: **Emerson Electric Co.**, St. Louis, MO (US)

(**) Term: **14 Years**

(21) Appl. No.: **29/158,547**

(22) Filed: **Apr. 4, 2002**

(51) **LOC (7) Cl.** **15-05**

(52) **U.S. Cl.** **D32/23**

(58) **Field of Search** D32/21, 23-24,
D32/31; 15/327.1, 327.2, 327.4, 427.6,
327.7, 320-321, 323, 353

(56) **References Cited**

U.S. PATENT DOCUMENTS

D362,091 S	9/1995	Tomasiak et al.	D32/21
5,611,107 A *	3/1997	Tomasiak et al.	15/327.2
6,055,700 A *	5/2000	Holsten et al.	4/199
6,158,083 A *	12/2000	Holsten	15/326
D438,353 S	2/2001	Hoshino et al.	D32/23

D443,739 S	6/2001	Young et al.	D32/23
D447,842 S *	9/2001	Griffin	D32/23
6,385,809 B1 *	5/2002	Martin et al.	15/326
D470,279 S *	2/2003	Griffin et al.	D32/23

* cited by examiner

Primary Examiner—Ruth McInroy

(74) *Attorney, Agent, or Firm*—Howrey Simon Arnold & White, LLP

(57) **CLAIM**

The ornamental design for a combined wet/dry vacuum cleaner, as shown and described.

DESCRIPTION

FIG. 1 is a perspective view of a combined wet/dry vacuum cleaner, showing our new design;
FIG. 2 is a first side view thereof;
FIG. 3 is a second side view thereof, showing the side opposite that shown in FIG. 2;
FIG. 4 is a front view thereof;
FIG. 5 is a rear view thereof;
FIG. 6 is a top view thereof; and,
FIG. 7 is a bottom view thereof.

The nameplate shown in broken lines is exemplary and forms no part of the claimed design.

1 Claim, 7 Drawing Sheets

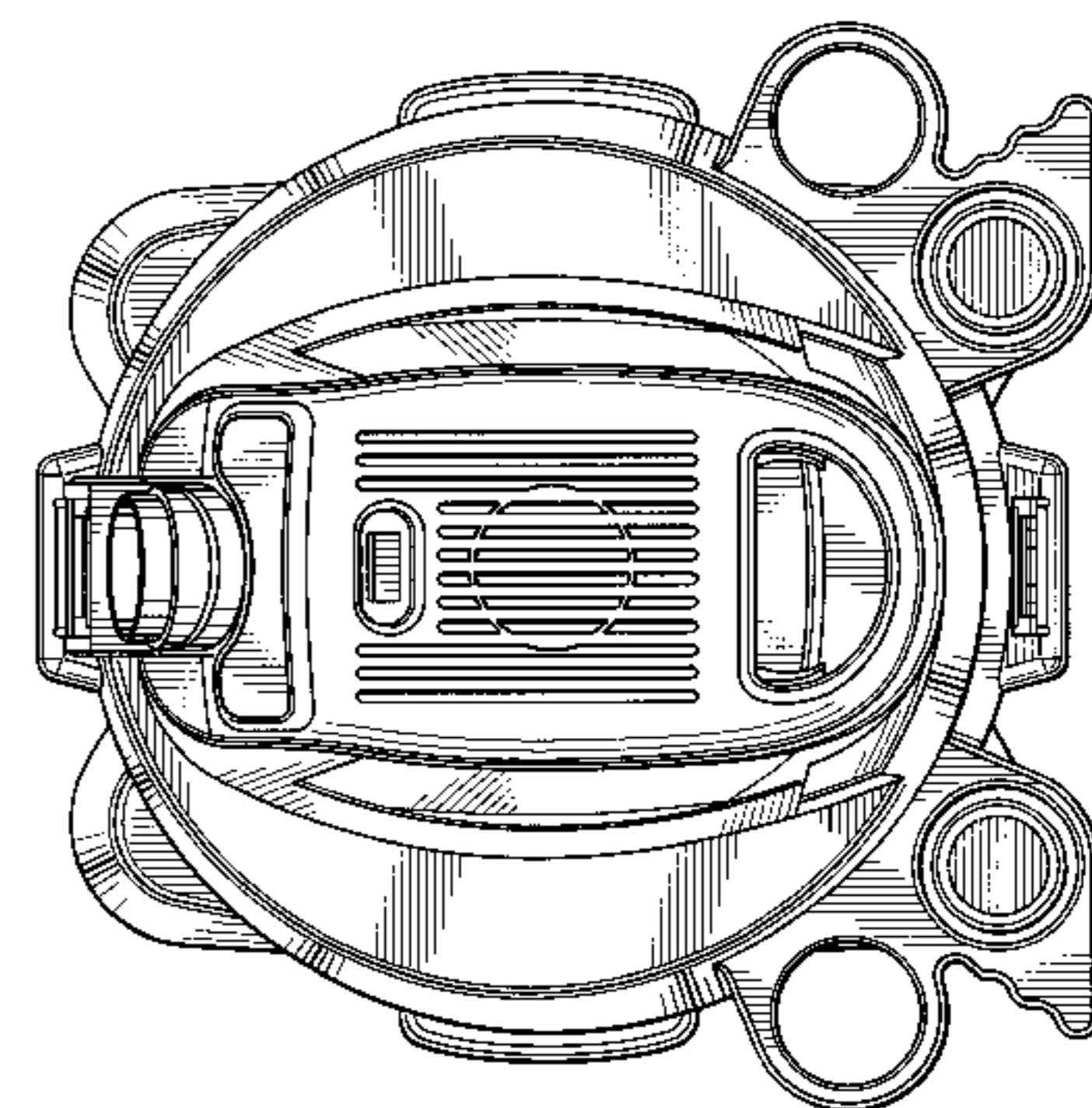
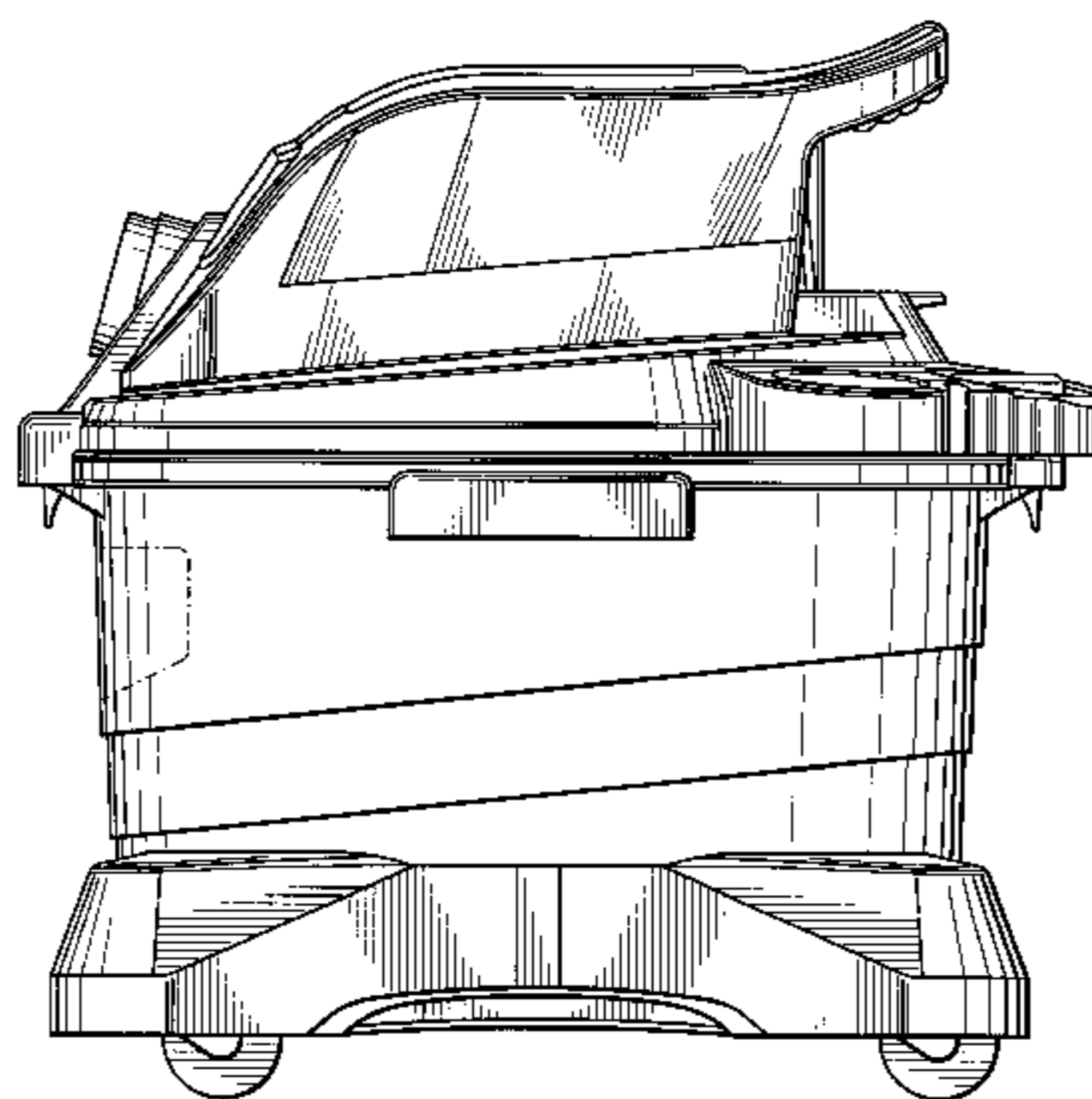
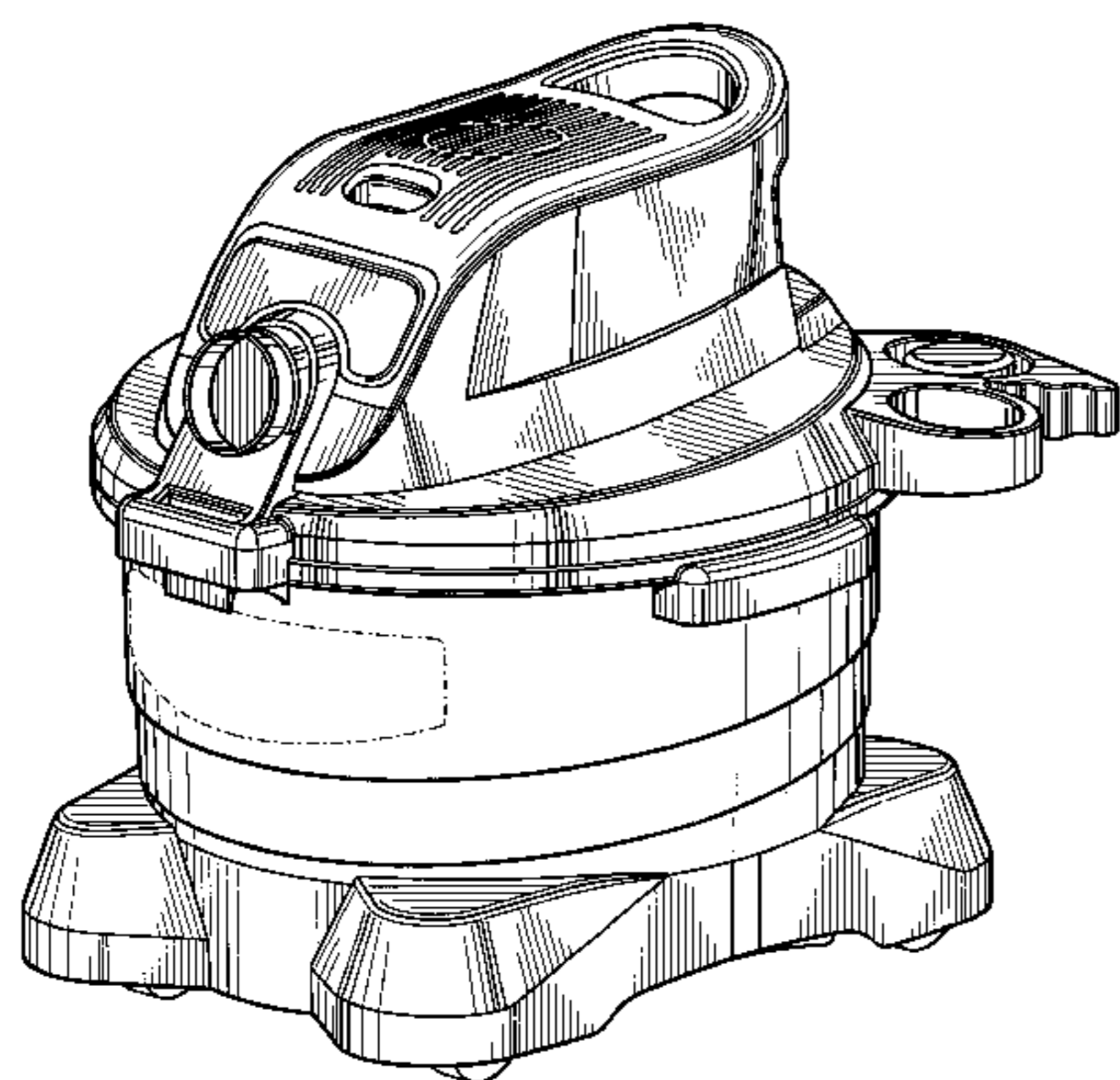


FIG. 1

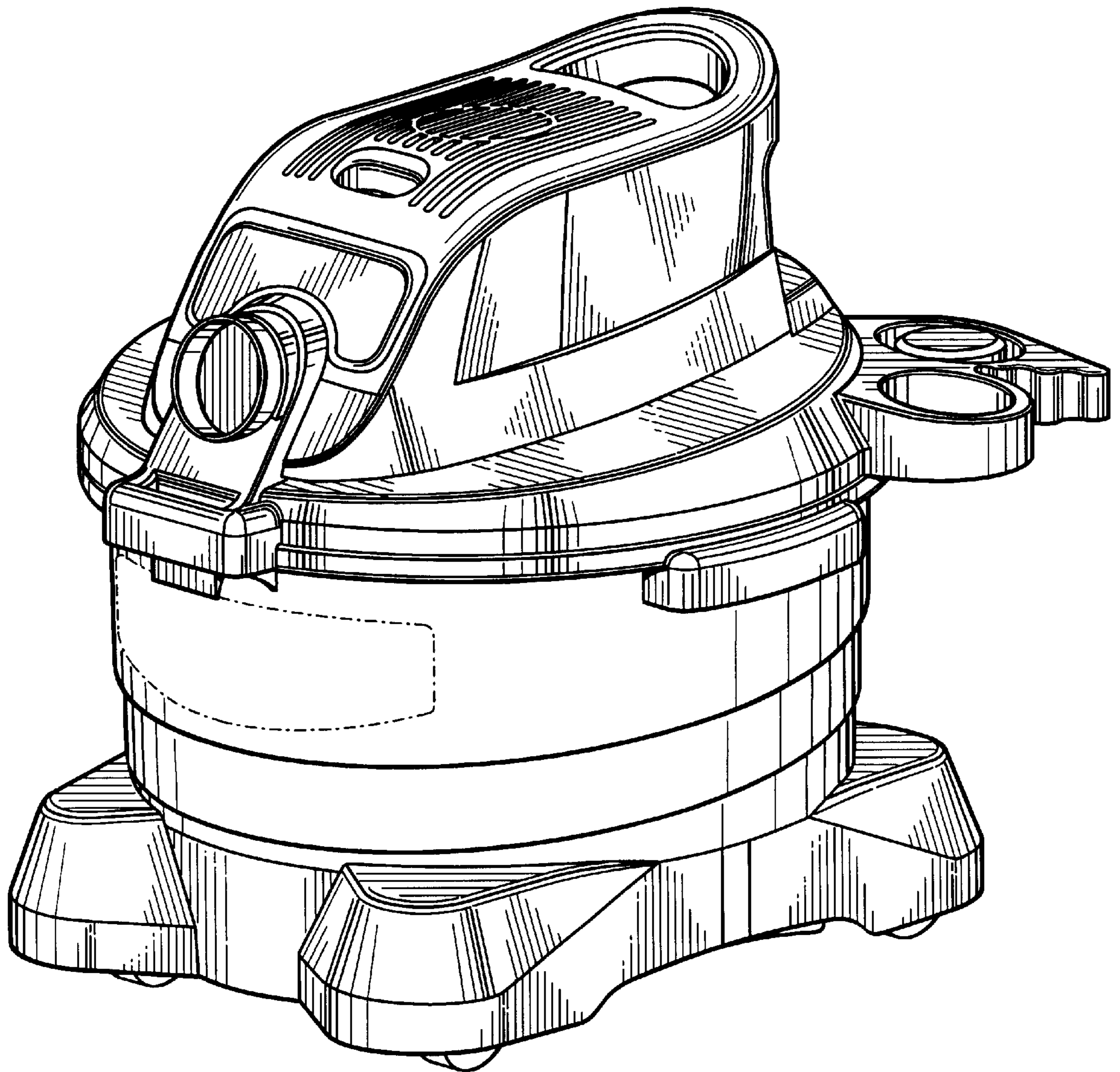


FIG. 2

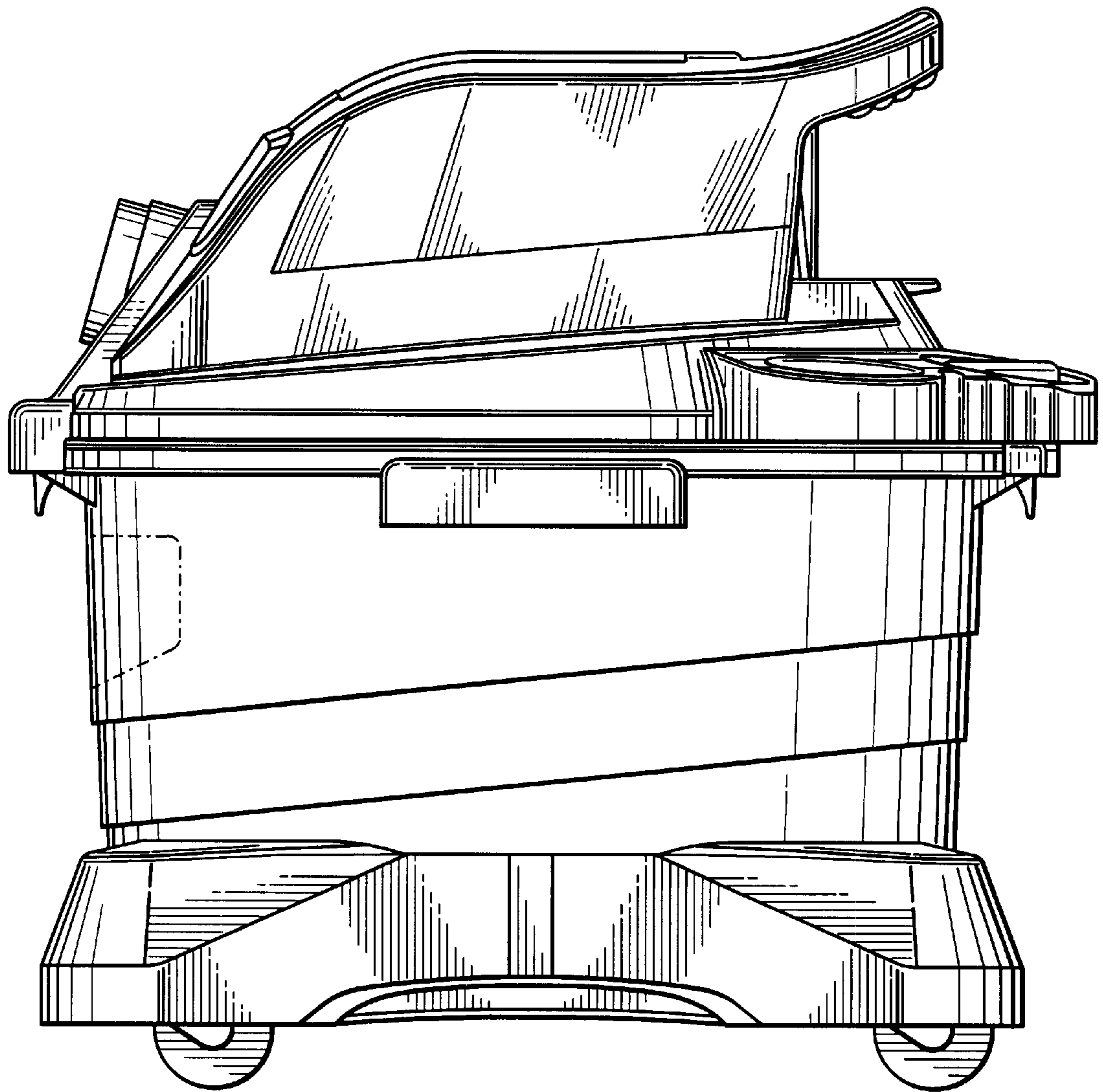


FIG. 3

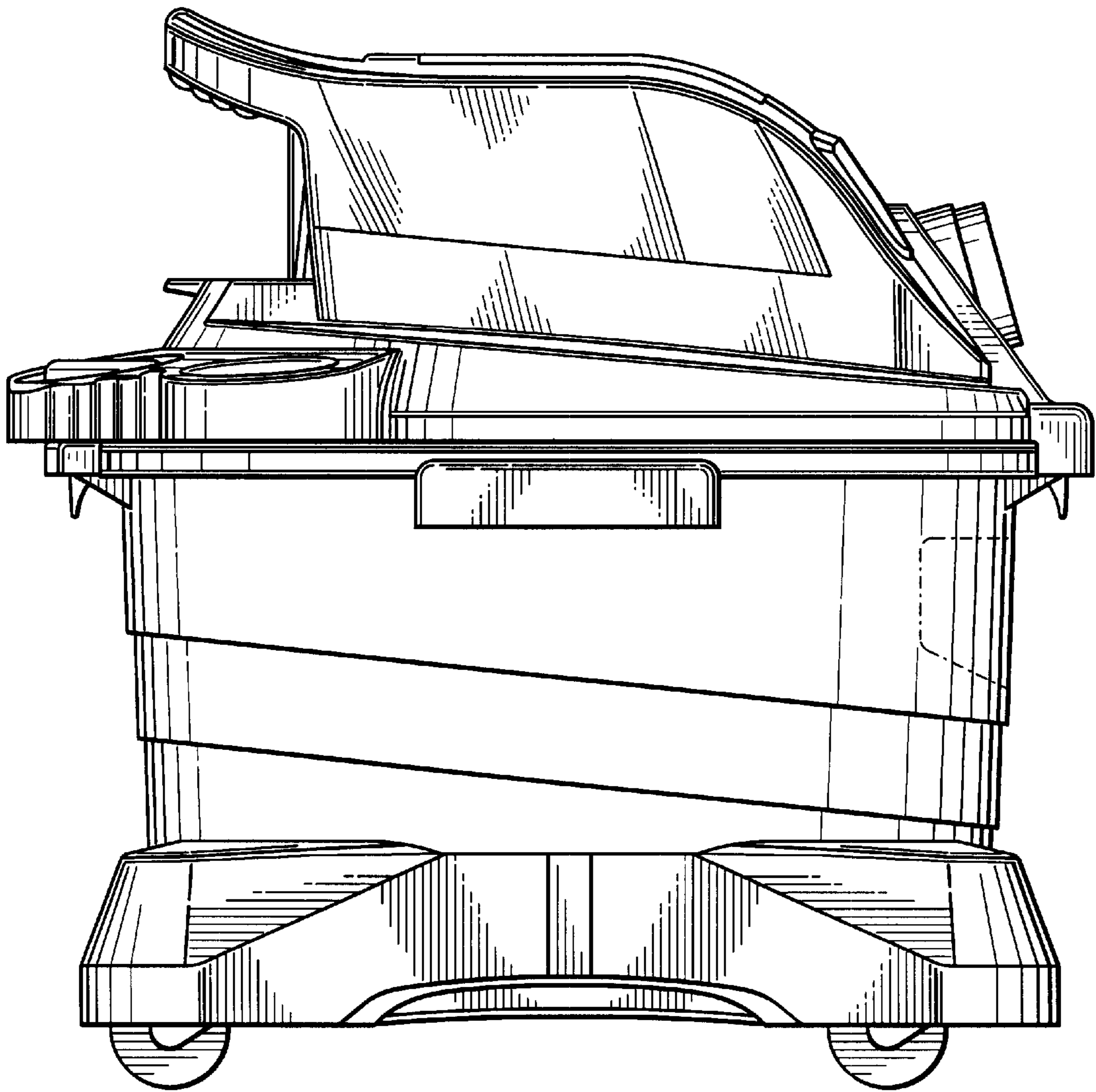


FIG. 4

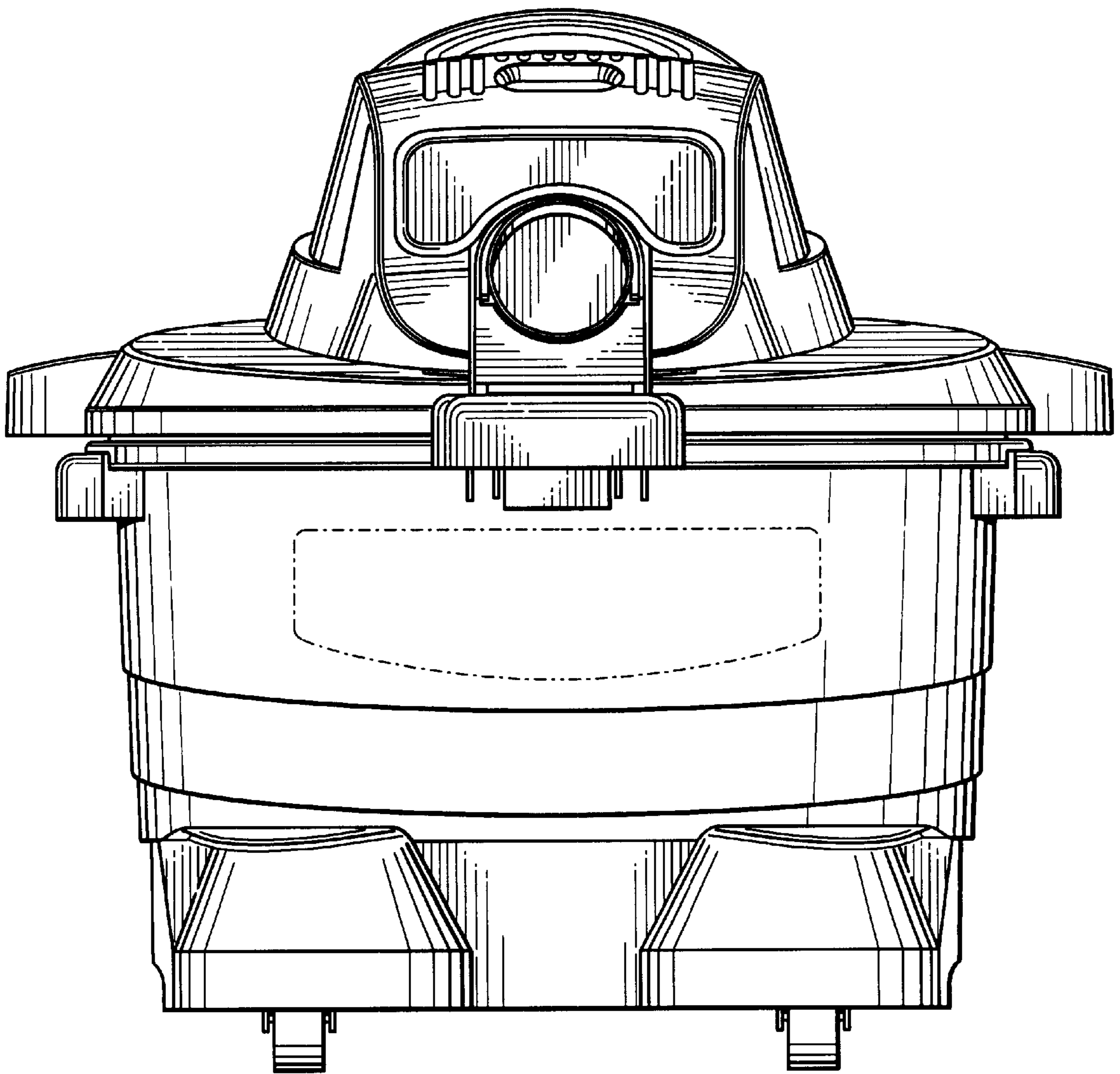


FIG. 5

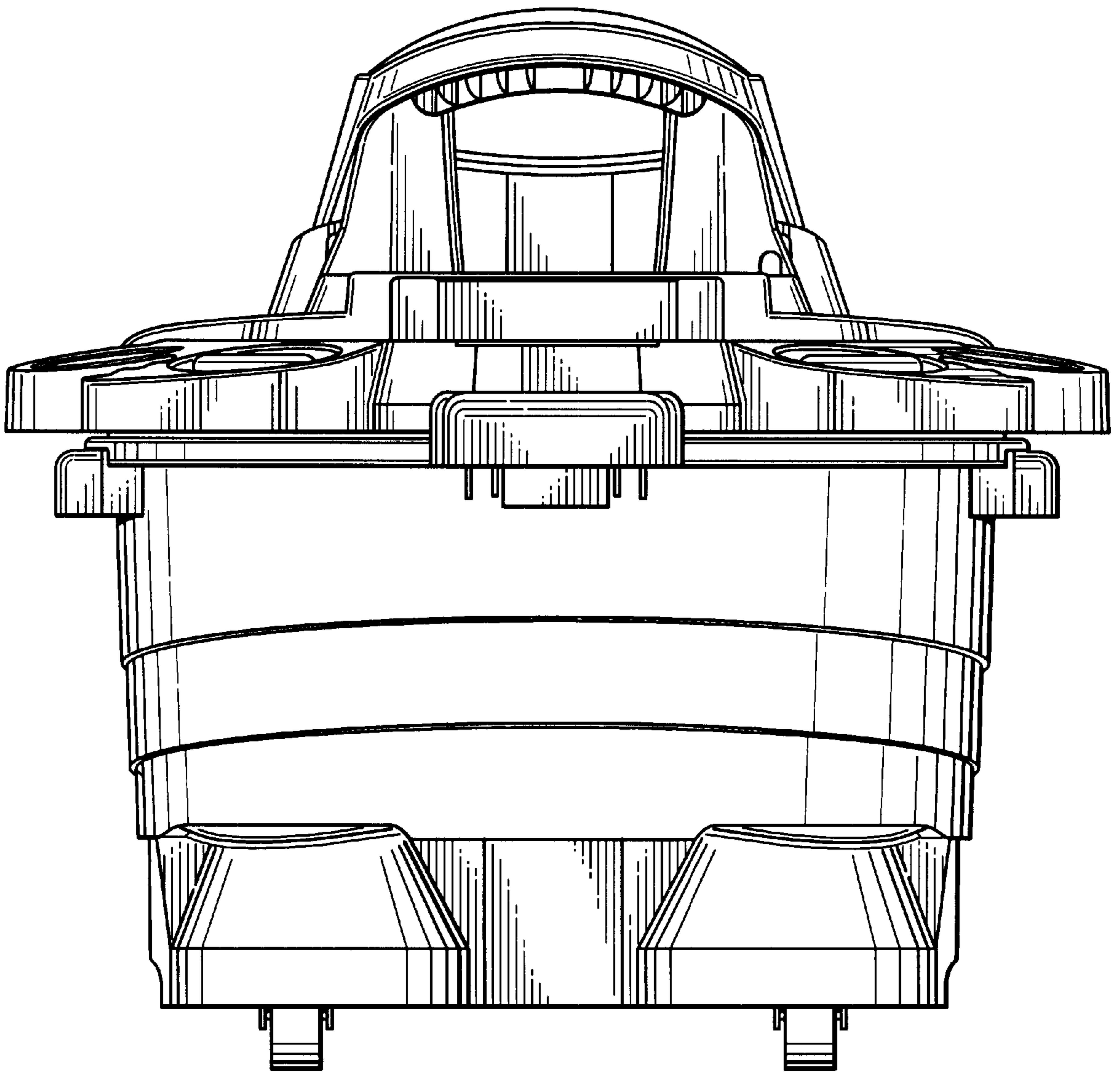


FIG. 6

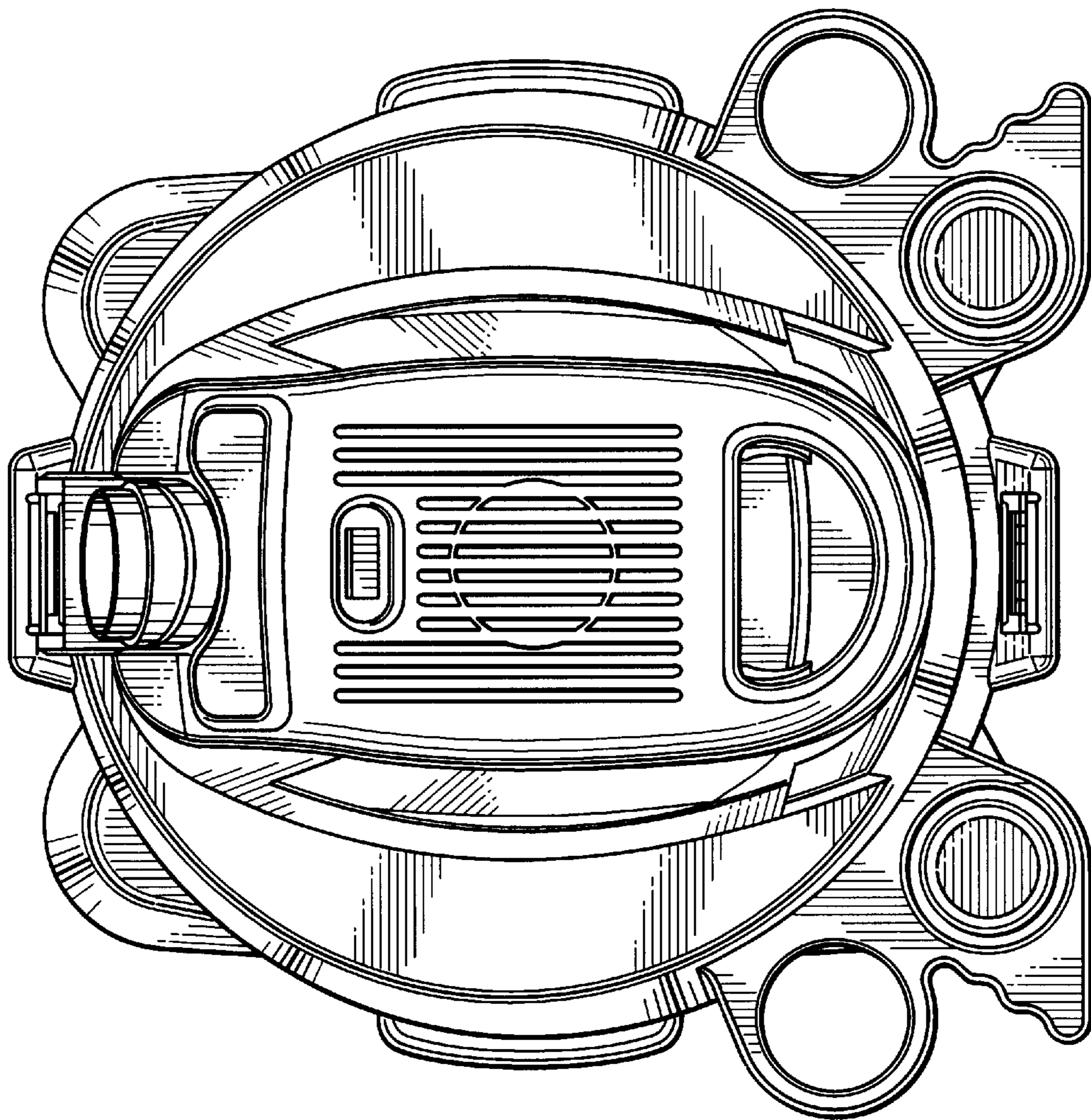


FIG. 7

