



US00D479022S

(12) **United States Design Patent**
Harwich, Jr. et al.

(10) **Patent No.:** **US D479,022 S**
(45) **Date of Patent:** **** Aug. 26, 2003**

(54) **SPIDER WEB FRAME**

(76) Inventors: **Murray D. Harwich, Jr.**, P.O. Box 533, Glencoe, IL (US) 60022; **Mary Belle T. Harwich**, P.O. Box 533, Glencoe, IL (US) 60022

(**) Term: **14 Years**

(21) Appl. No.: **29/154,867**

(22) Filed: **Jan. 30, 2002**

(51) **LOC (7) Cl.** **30-99**

(52) **U.S. Cl.** **D30/199; D30/116**

(58) **Field of Search** D30/114, 199, D30/116; 119/452, 482, 416, 417, 6.5, 270, 498; 43/54.1, 55; D11/148

(56) **References Cited**

U.S. PATENT DOCUMENTS

9,138 A *	7/1852	Gay	56/255
2,539,633 A *	1/1951	Morrill	119/6.5
3,994,259 A *	11/1976	Sakamura	119/270
D376,874 S *	12/1996	Reyes, III	D30/114

OTHER PUBLICATIONS

Spider Web Frame, #32-214, p. 14, Gardner's Supply Company. (date unknown).
Dorothy Hinshaw, *The Lives of Spiders*, pp. 32, 33, 48-55, 116, 117, Hoiday House, New York. (date unknown).

Original Spider Web Frame, Item #78960, Deluxe Spider Web Frame, Item #78962, Birding Company, A Division of Document Concepts, Inc. (date unknown).

* cited by examiner

Primary Examiner—Pamela Burgess
(74) *Attorney, Agent, or Firm*—Cook, Alex, McFarron, Manzo, Cummings & Mehler, Ltd.

(57) **CLAIM**

The ornamental design for a spider web frame, as shown and described.

DESCRIPTION

FIG. 1 is a perspective view of a spider web frame showing the new design;

FIG. 2 is an elevational view thereof;

FIG. 3 is another elevational view thereof;

FIG. 4 is a further elevational view thereof;

FIG. 5 is an additional elevational view thereof;

FIG. 6 is a top plan view thereof; and,

FIG. 7 is a bottom plan view thereof.

1 Claim, 4 Drawing Sheets

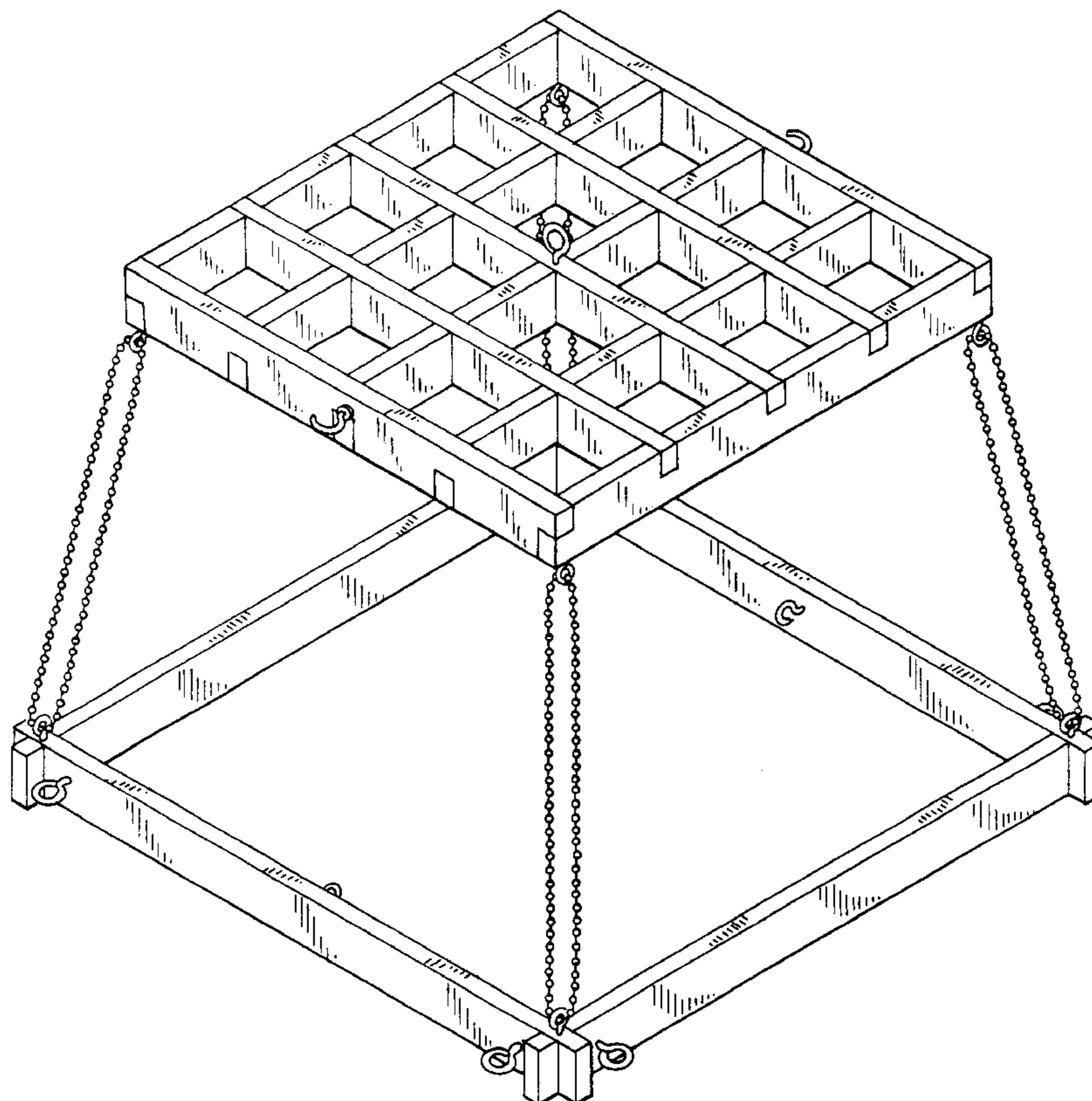


FIG. 1

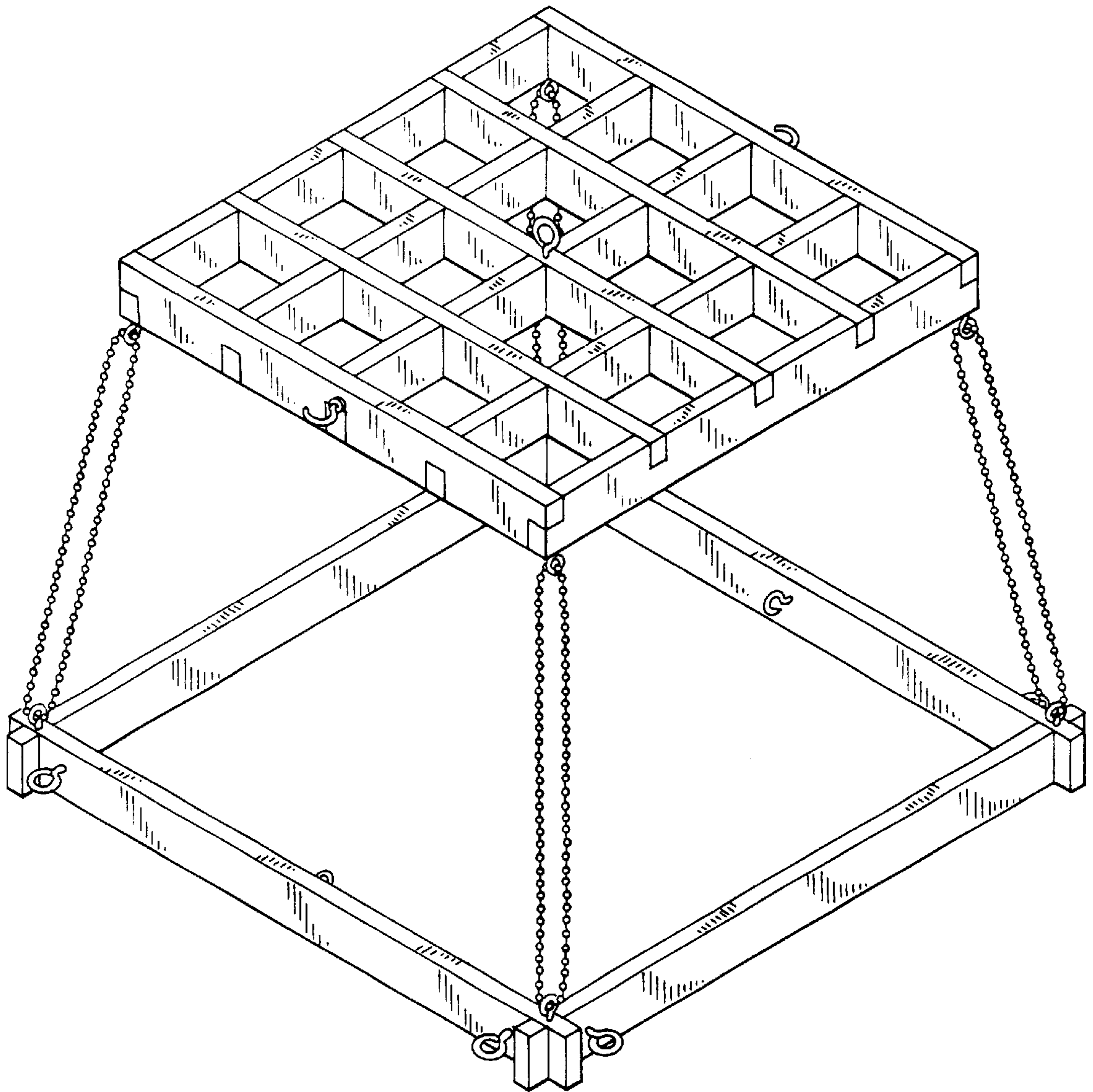


FIG. 2

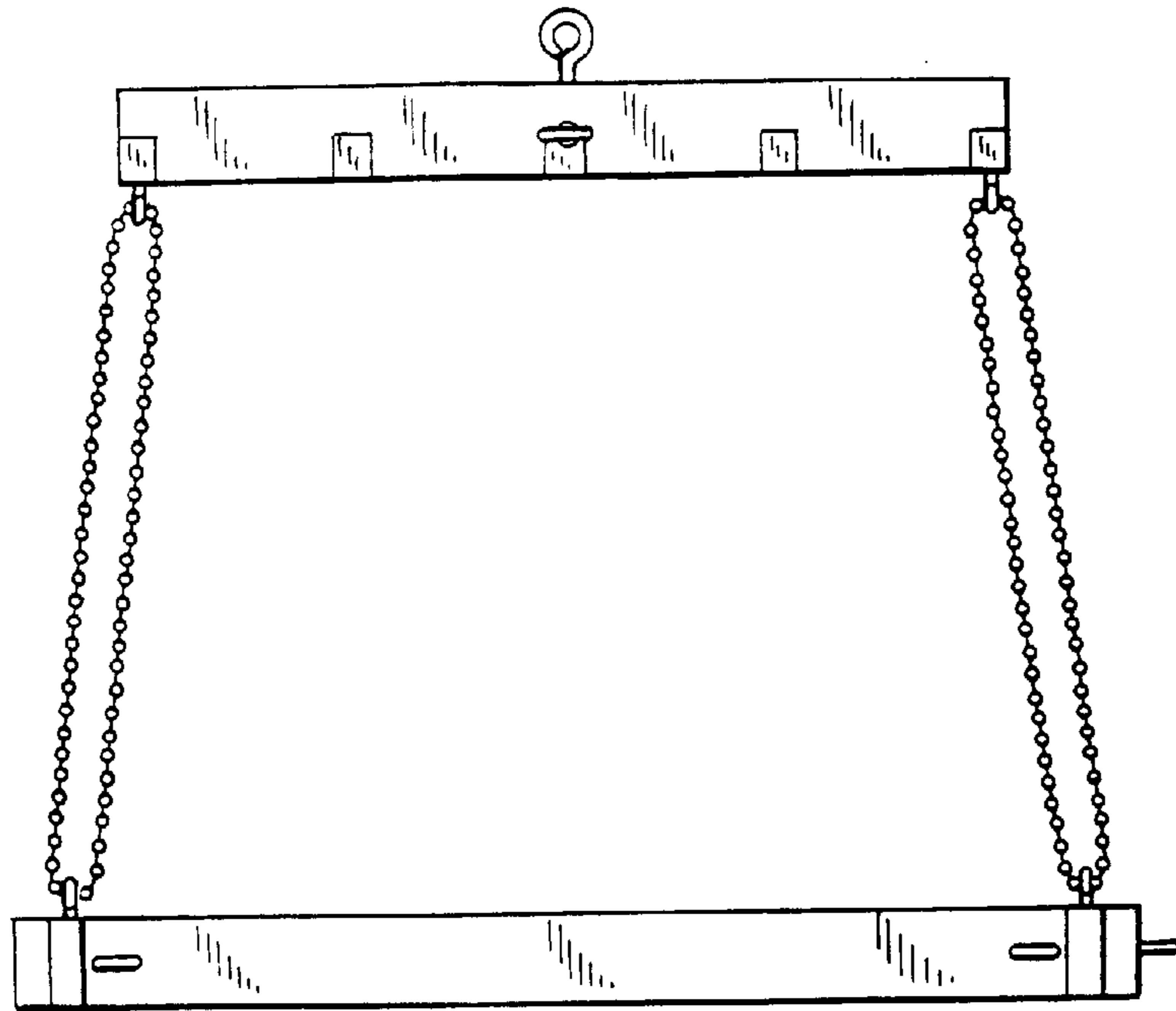


FIG. 3

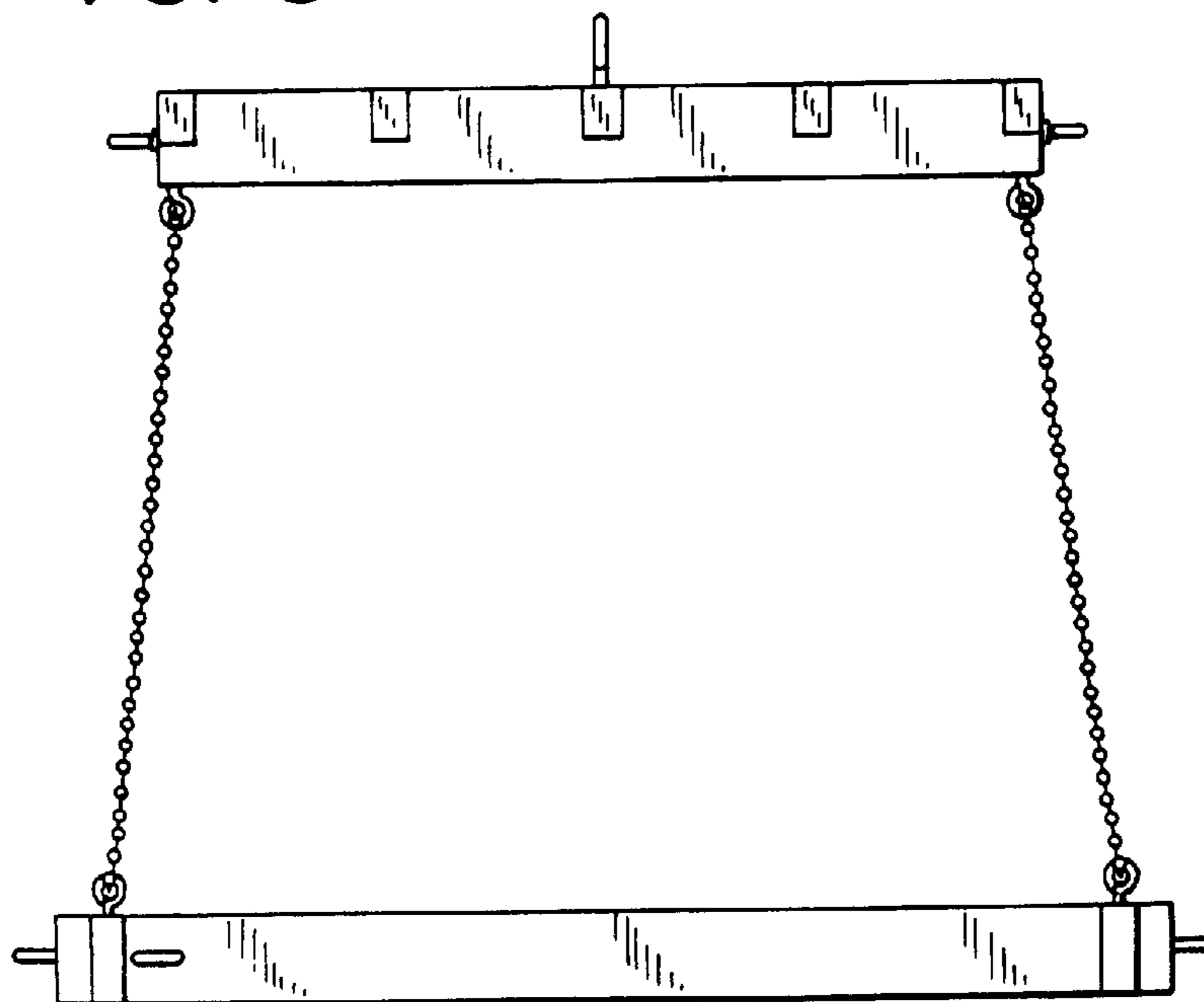


FIG. 4

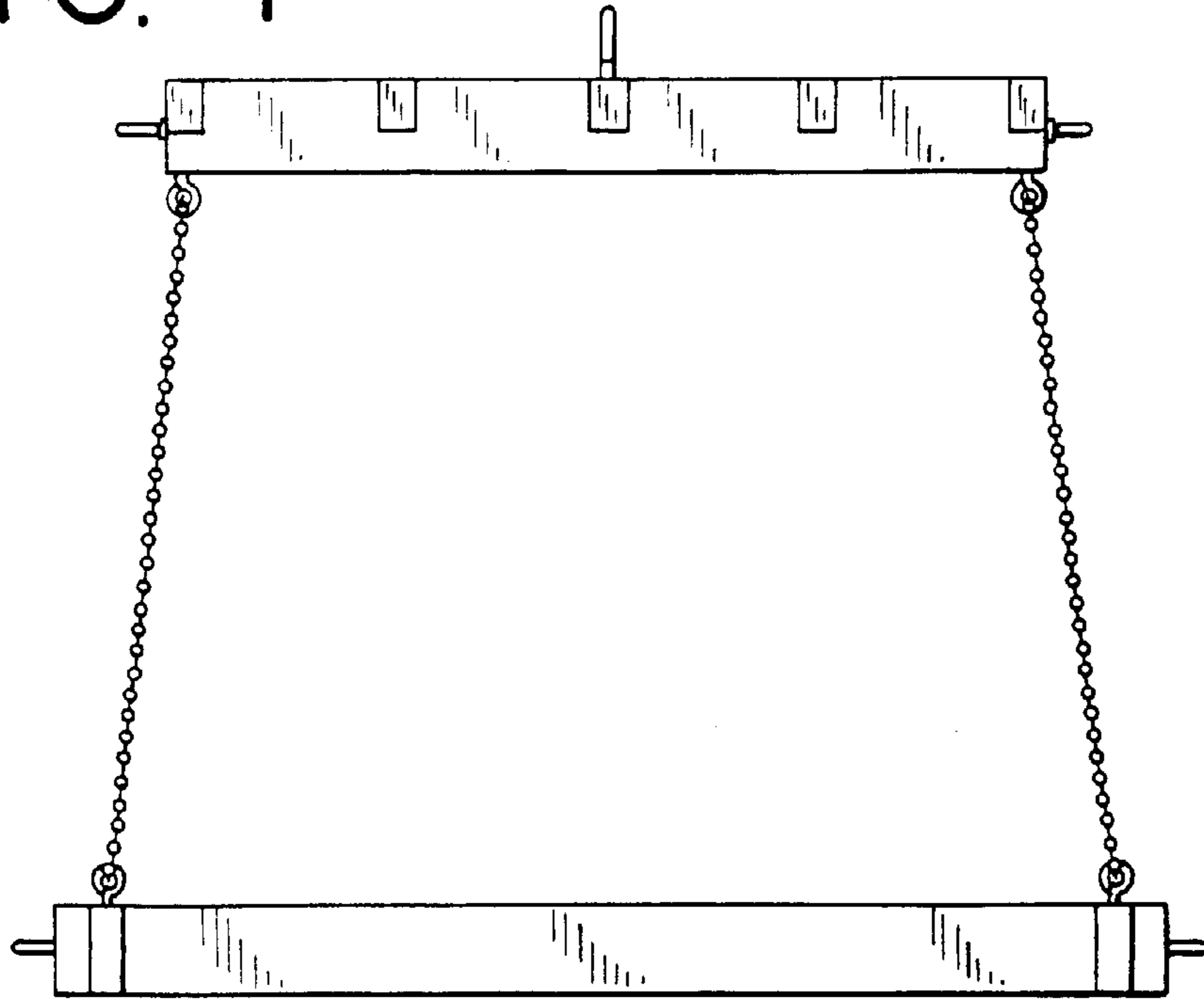


FIG. 5

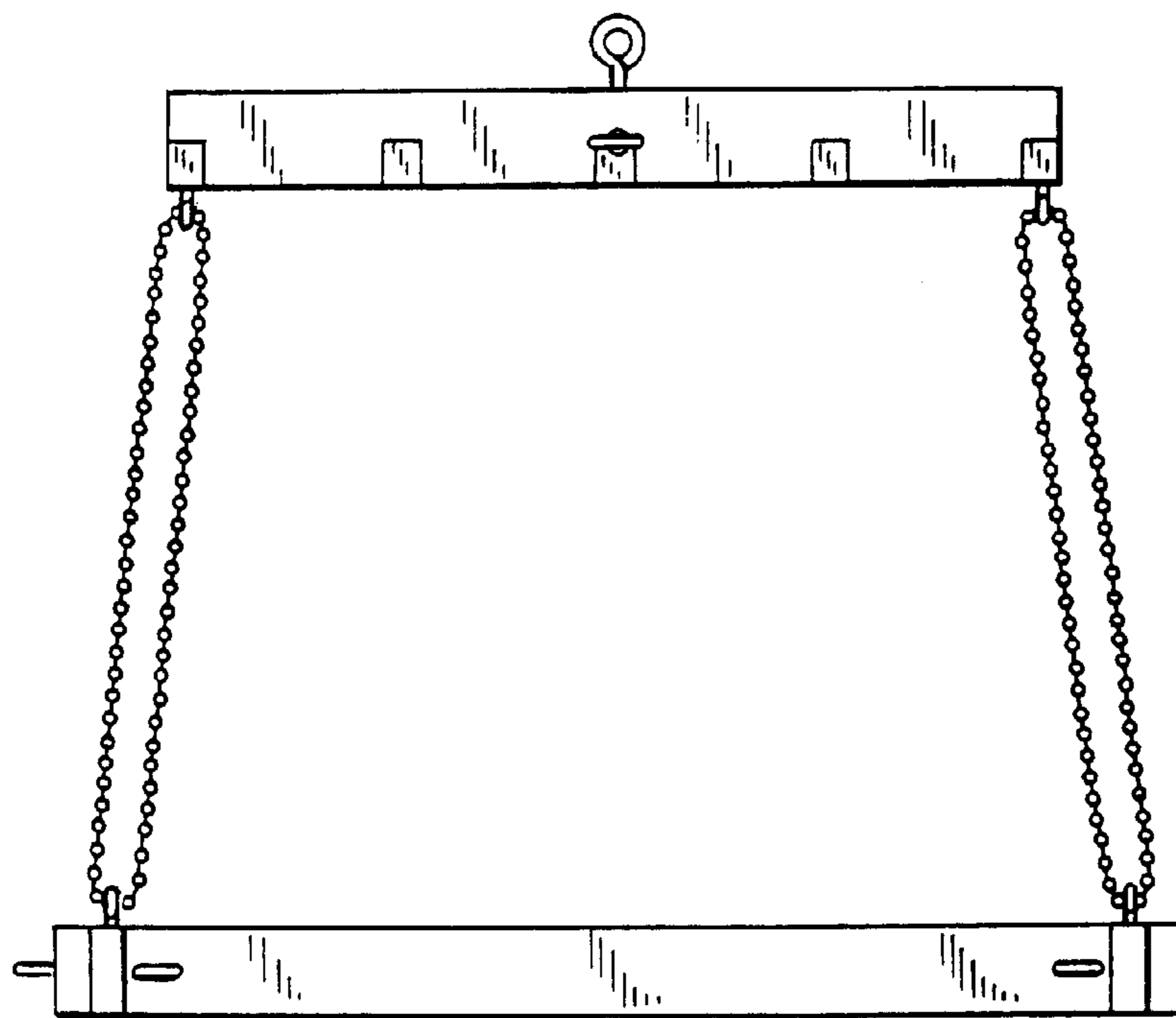


FIG. 6

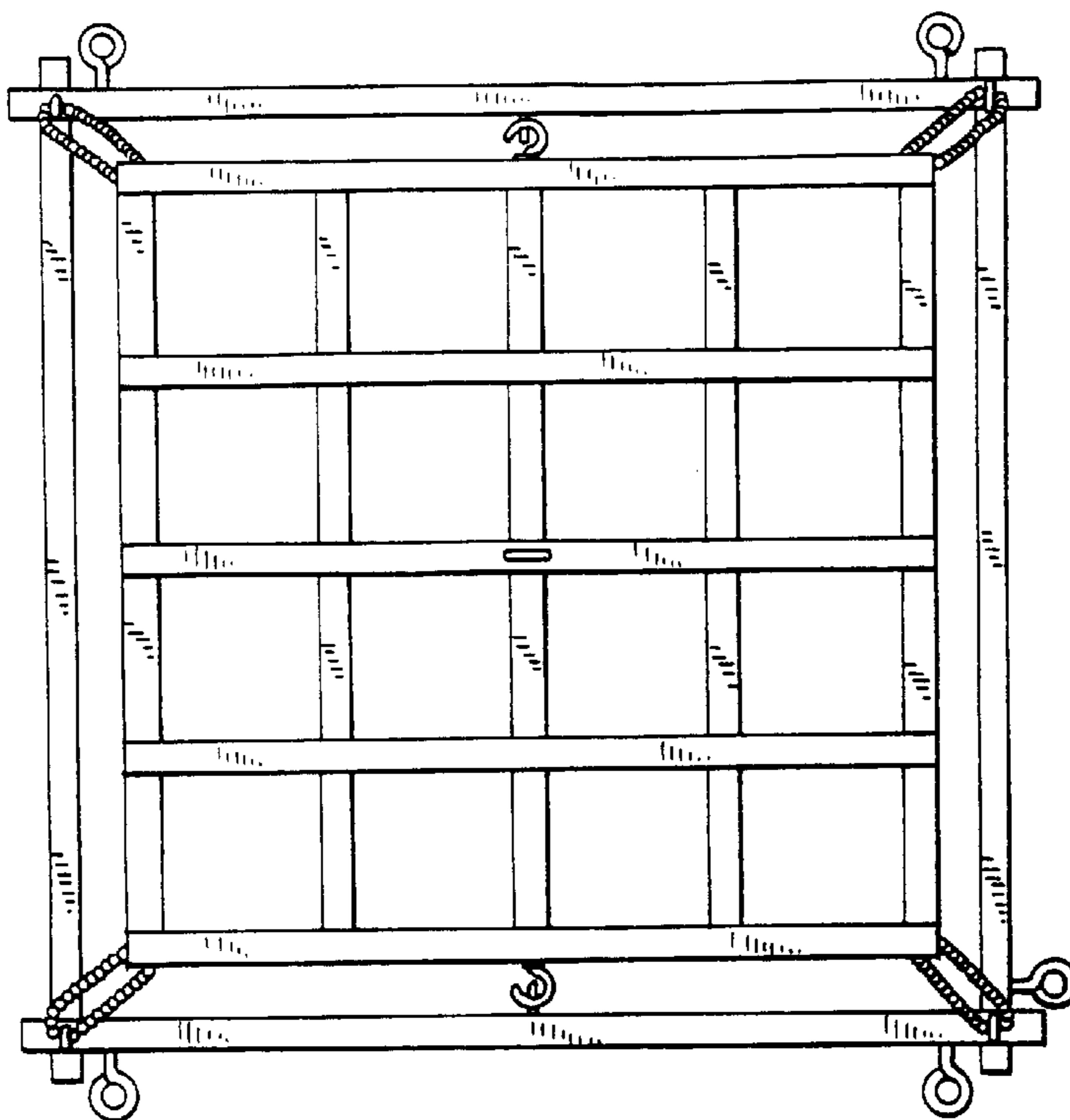


FIG. 7

