



US00D479017S

(12) **United States Design Patent**
Sgariboldi

(10) **Patent No.:** **US D479,017 S**

(45) **Date of Patent:** **** Aug. 26, 2003**

(54) **CONTAINER FOR COSMETIC PRODUCTS**

5,599,124 A * 2/1997 Ackermann et al. 401/78
5,860,755 A * 1/1999 Bunk 132/318

(75) Inventor: **Giovanni Sgariboldi, Monza (IT)**

* cited by examiner

(73) Assignee: **Euroitalia S.r.L., Cavenago Brianza (IT)**

Primary Examiner—Jennifer Rivard

(**) Term: **14 Years**

(74) *Attorney, Agent, or Firm*—Abelman, Frayne & Schwab

(21) Appl. No.: **29/171,520**

(22) Filed: **Nov. 22, 2002**

(30) **Foreign Application Priority Data**

Jul. 18, 2002 (IT) MI200200486

(51) **LOC (7) Cl.** **28-03**

(52) **U.S. Cl.** **D28/85**

(58) **Field of Search** D28/76, 85-90;
132/318, 320; 401/68, 72, 78, 86, 87; 206/385,
581

(56) **References Cited**

U.S. PATENT DOCUMENTS

5,102,249 A * 4/1992 Holloway et al. 401/78

(57) **CLAIM**

The ornamental design for a container for cosmetic products, as shown.

DESCRIPTION

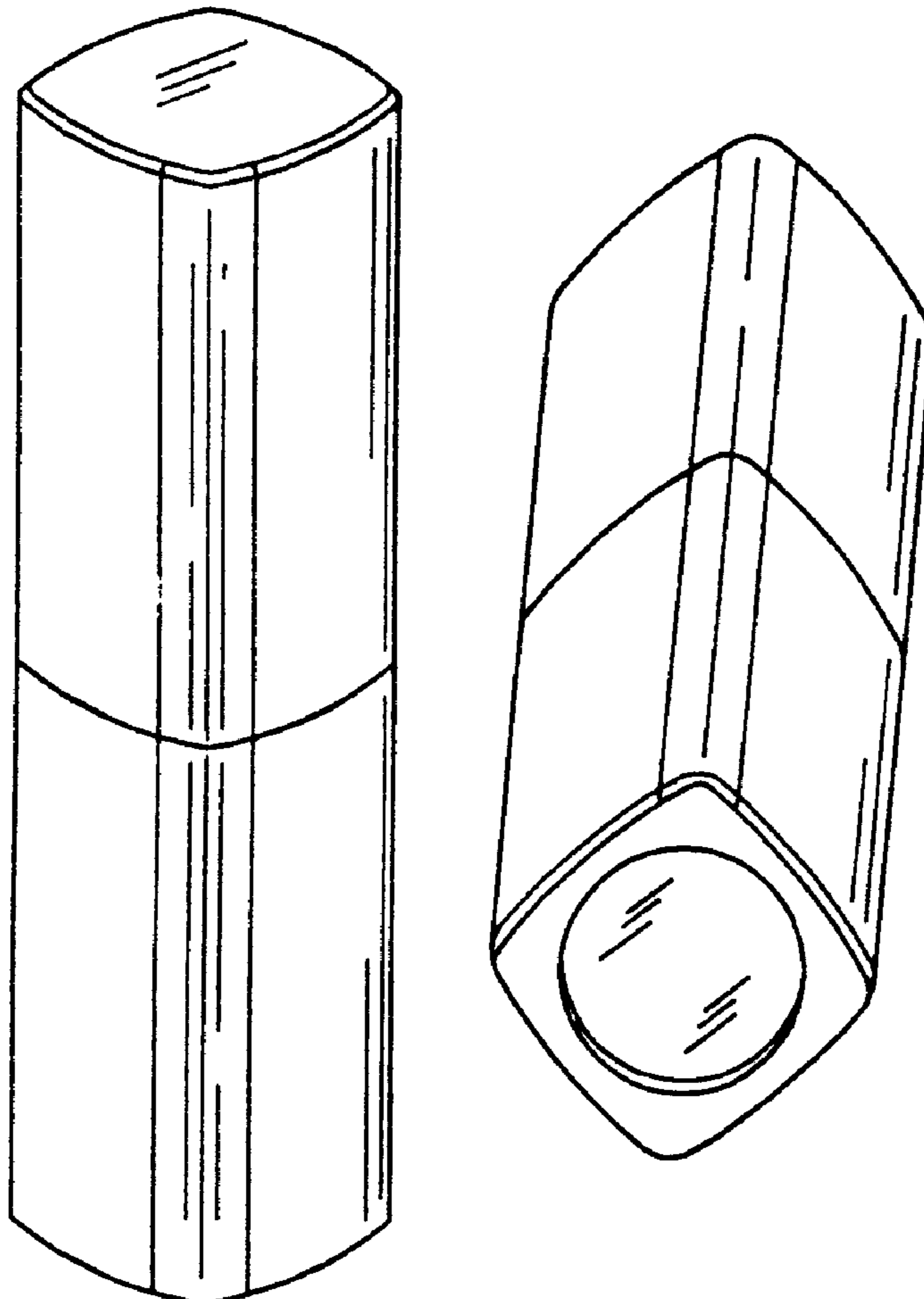
FIG. 1 shows a top side perspective view of a container showing my new design;

FIG. 2 shows a side elevation view thereof;

FIG. 3 shows a bottom plan view thereof; and,

FIG. 4 shows a bottom side perspective view thereof.

1 Claim, 1 Drawing Sheet



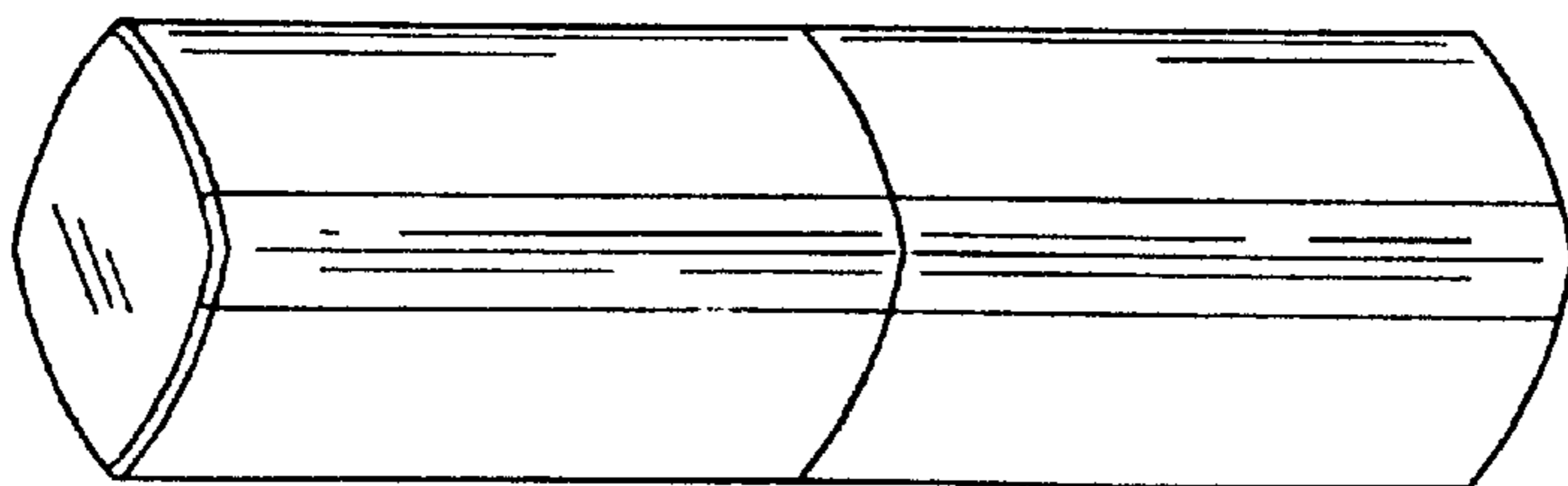


Fig. 1

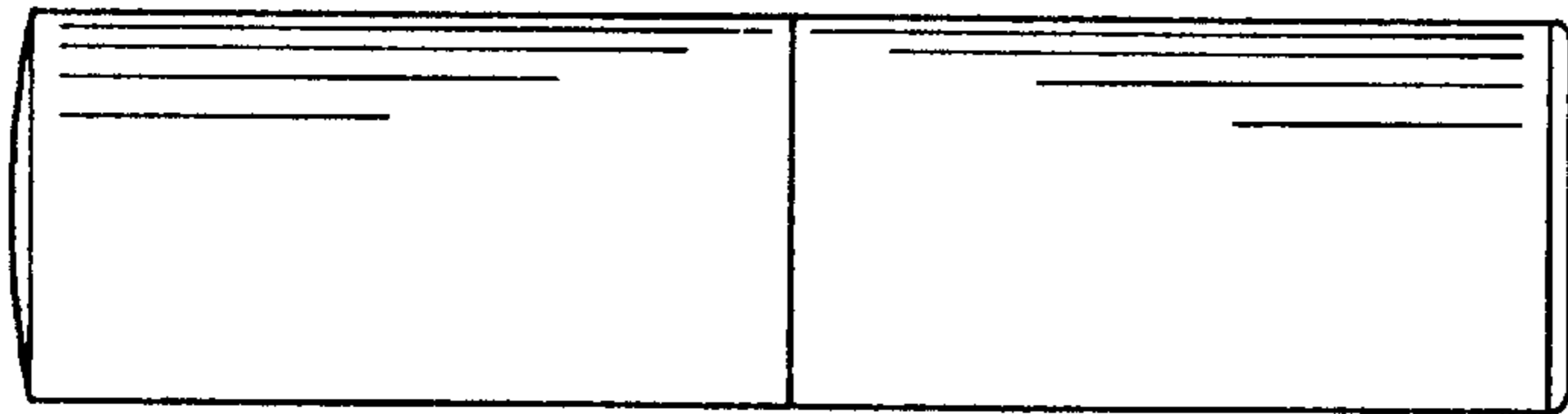


Fig. 2

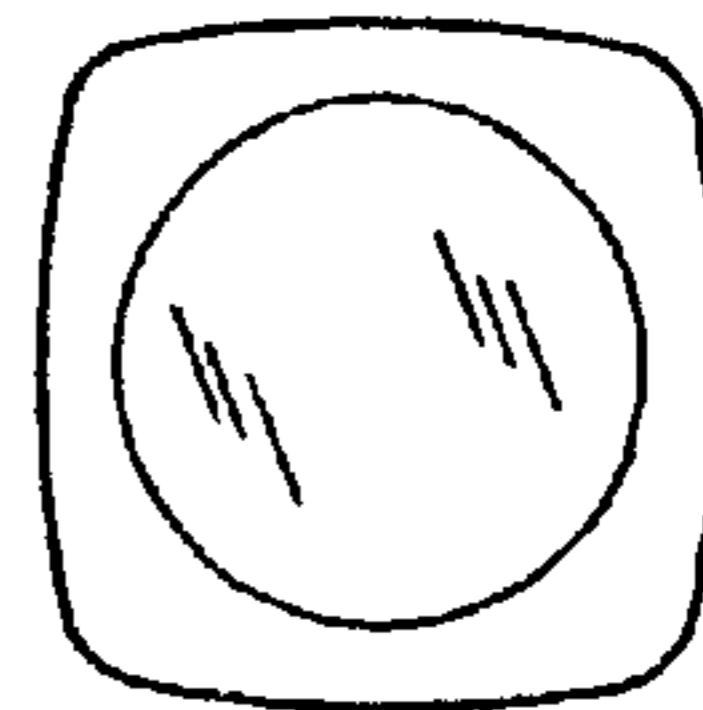


Fig. 3

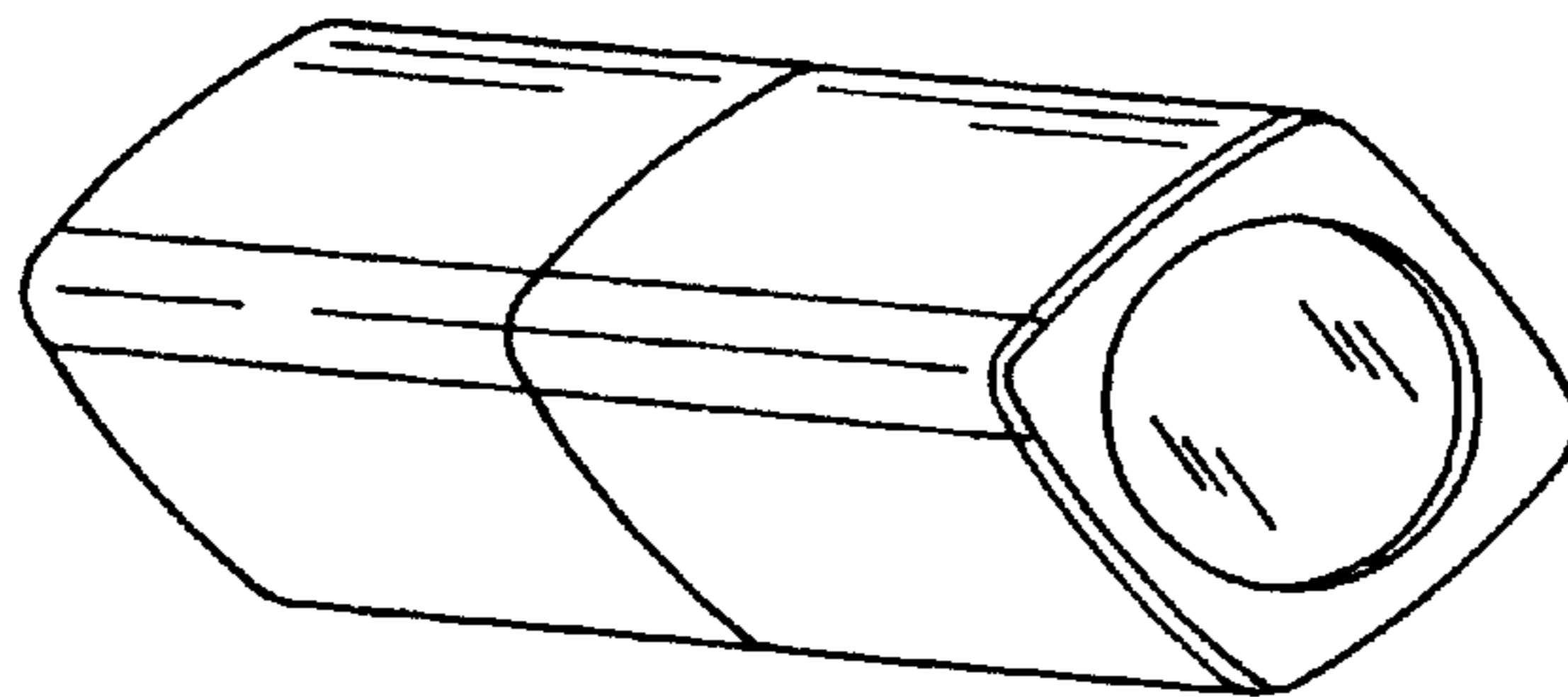


Fig. 4