



US00D479015S

(12) **United States Design Patent**
Tang

(10) **Patent No.:** **US D479,015 S**

(45) **Date of Patent:** **** Aug. 26, 2003**

(54) **PROJECTOR LIGHT DEVICE**

D472,339 S * 3/2003 Russello et al. D26/63

(75) Inventor: **Shih Chuan Tang**, Chong Ho (TW)

* cited by examiner

(73) Assignee: **Tons Enterprise Co., Ltd.**, Taipei (TW)

Primary Examiner—Marcus A. Jackson

(**) Term: **14 Years**

(57) **CLAIM**

The ornamental design for a projector light device, as shown and described.

(21) Appl. No.: **29/160,952**

(22) Filed: **May 18, 2001**

DESCRIPTION

(51) **LOC (7) Cl.** **26-05**

(52) **U.S. Cl.** **D26/63**

(58) **Field of Search** D26/60-66; 362/269, 362/270, 278, 281, 283, 284, 285, 287, 289, 401, 423, 427

FIG. 1 is a perspective view of a projector light device showing my new design;

FIG. 2 is a front elevational view thereof;

FIG. 3 is a rear elevational view thereof;

FIG. 4 is a left side elevational view thereof;

FIG. 5 is a right side elevational view thereof;

FIG. 6 is a top plan view thereof; and,

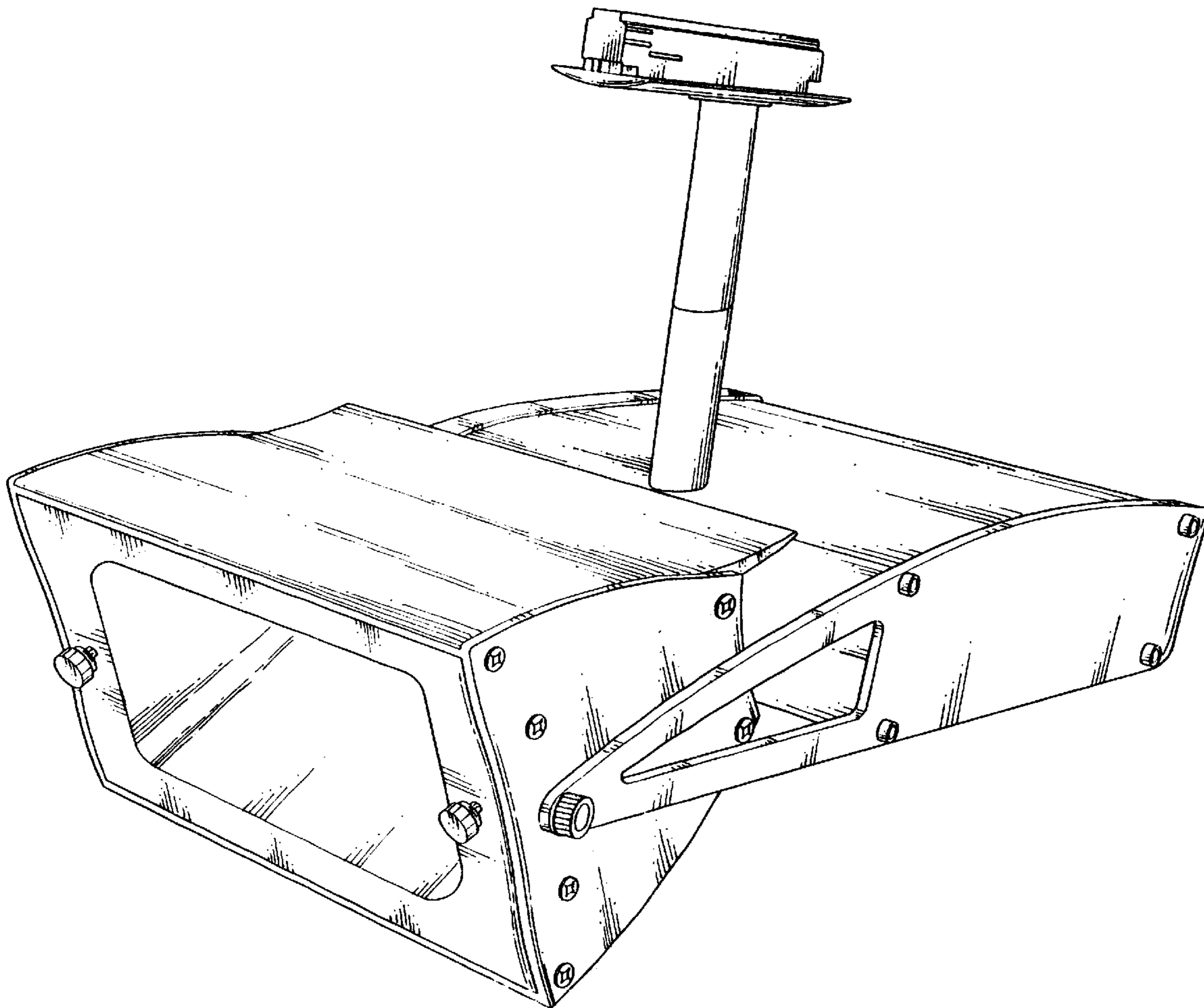
FIG. 7 is a bottom plan view thereof.

(56) **References Cited**

U.S. PATENT DOCUMENTS

D453,227 S * 1/2002 Lin D26/63

1 Claim, 7 Drawing Sheets



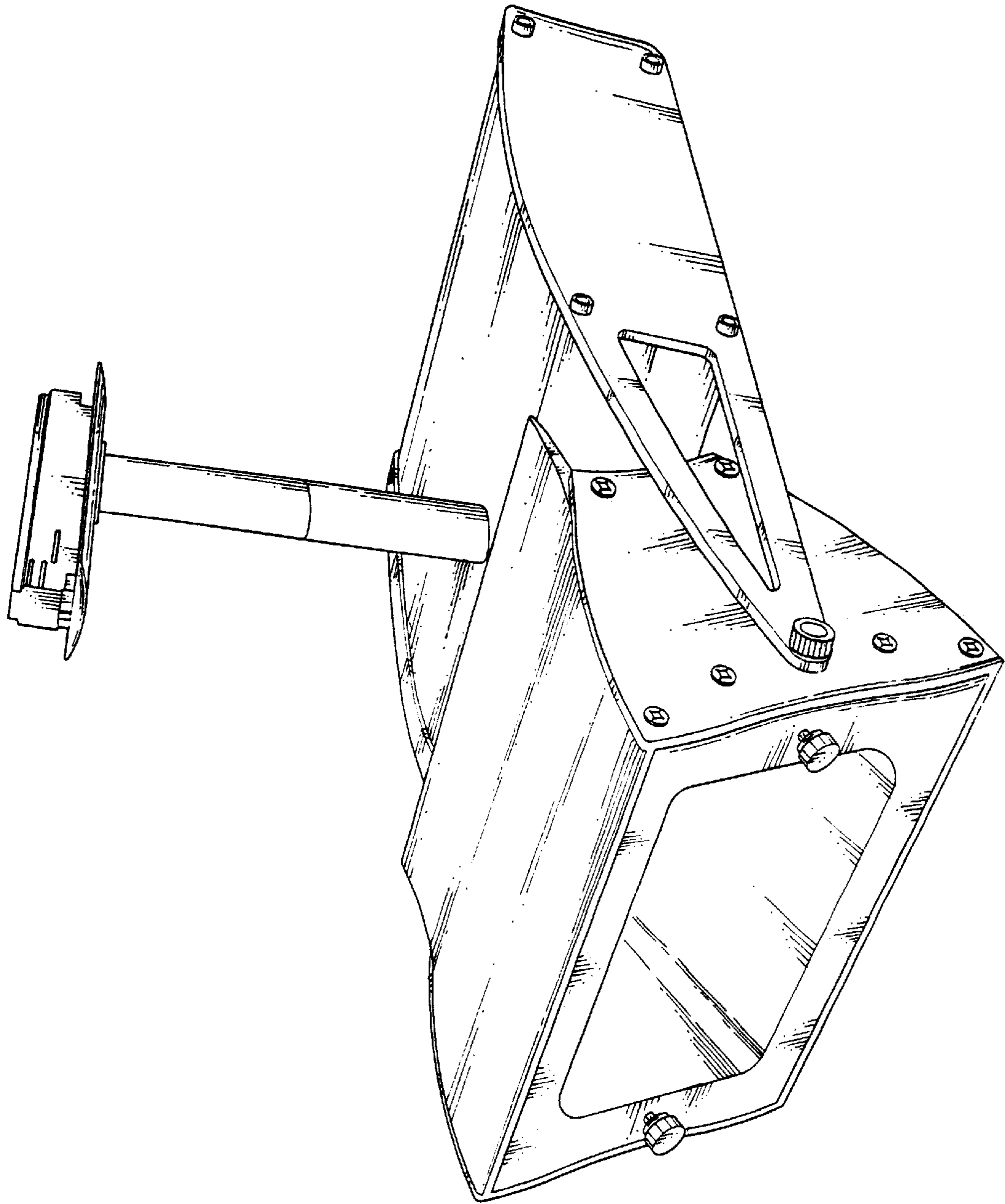


FIG. 1

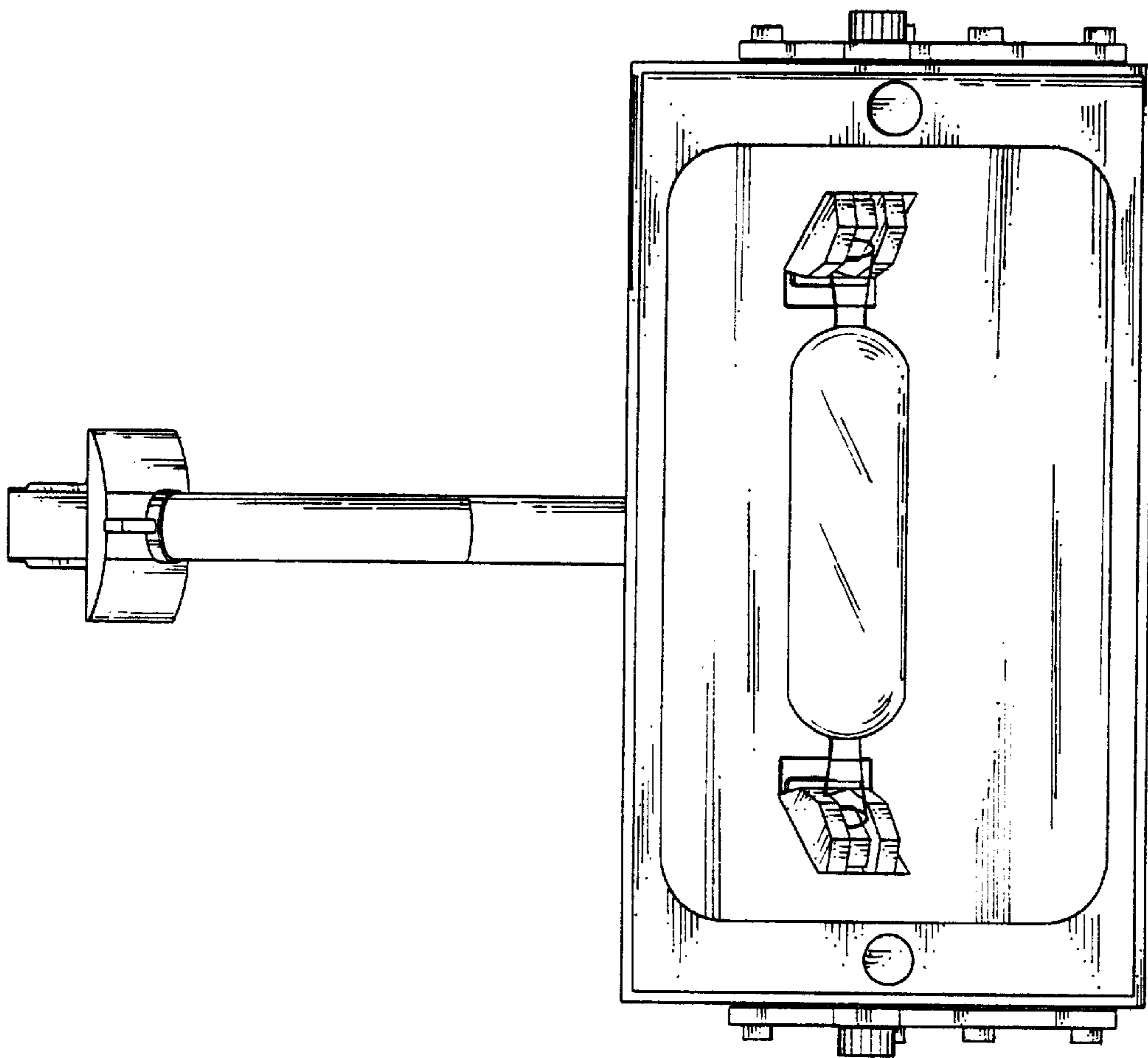


FIG.2

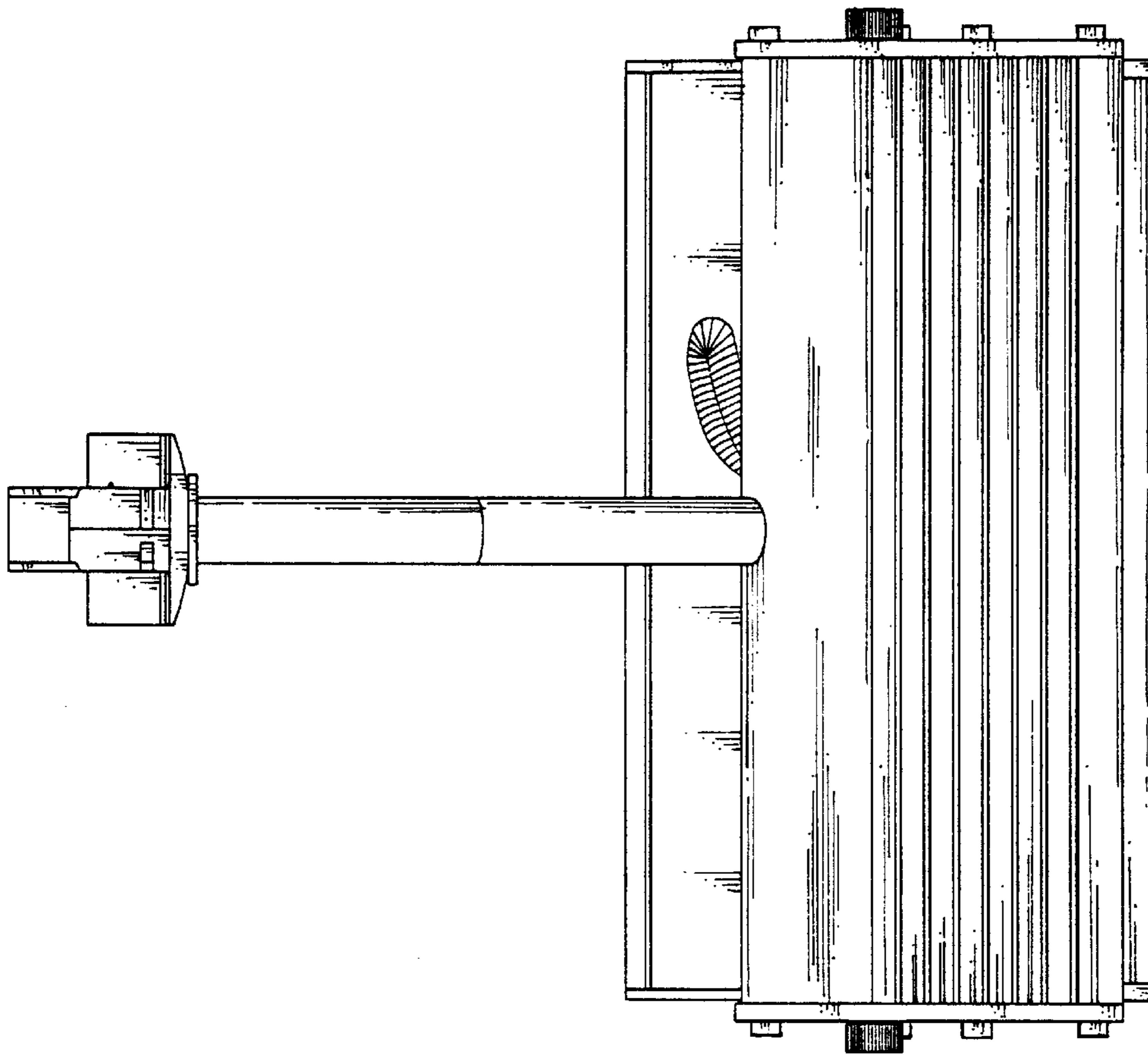


FIG.3

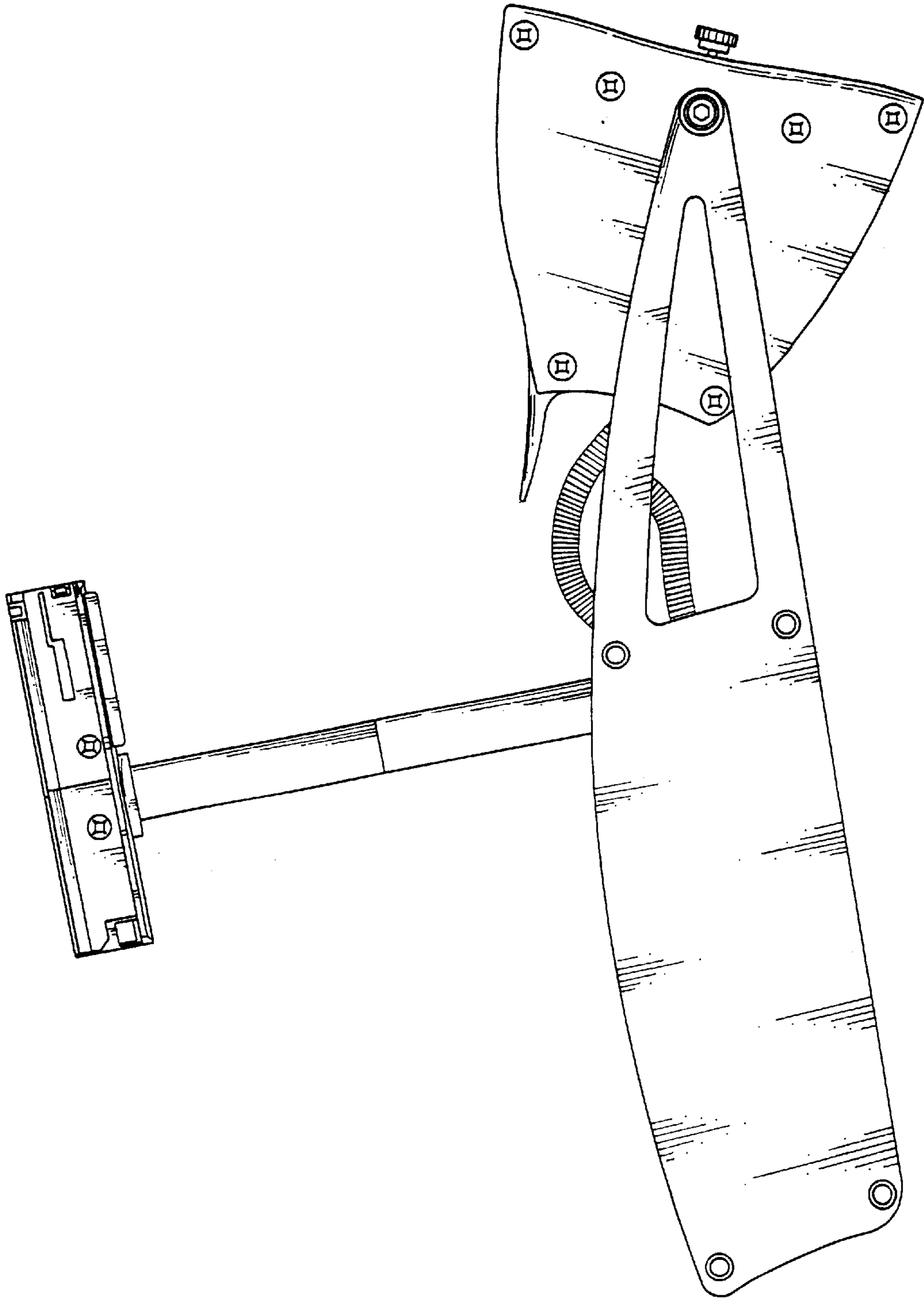


FIG.4

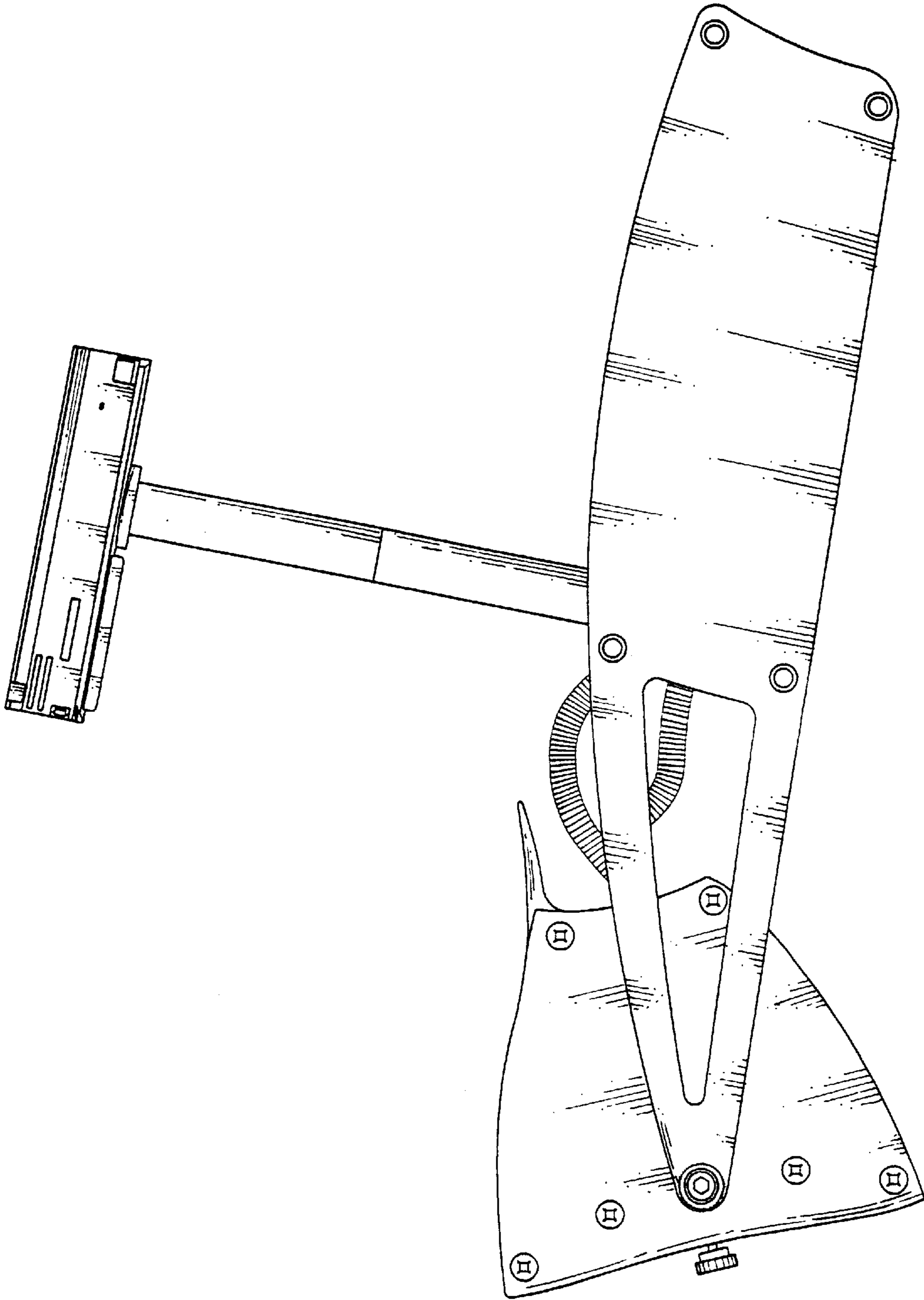


FIG. 5

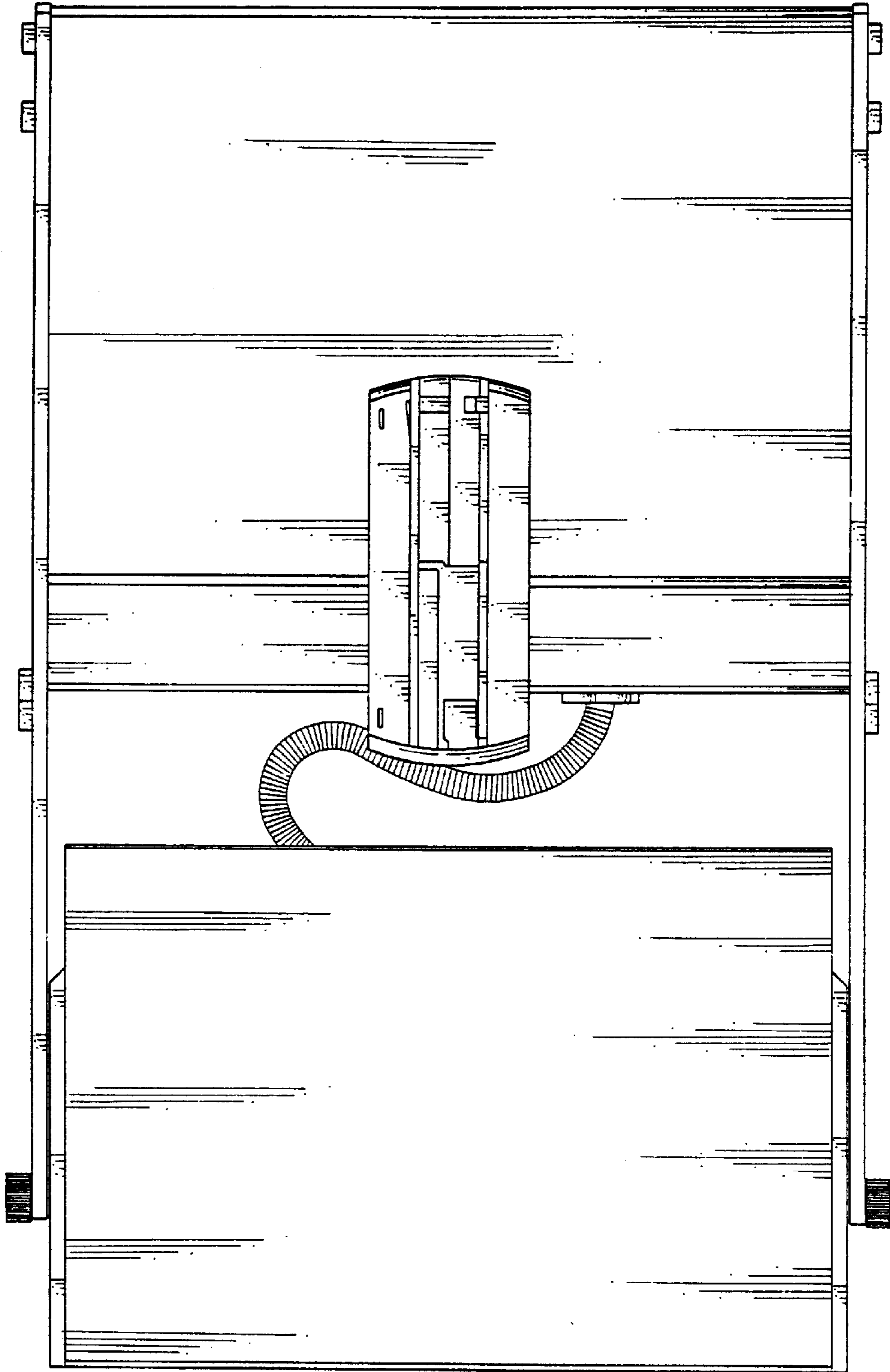


FIG.6

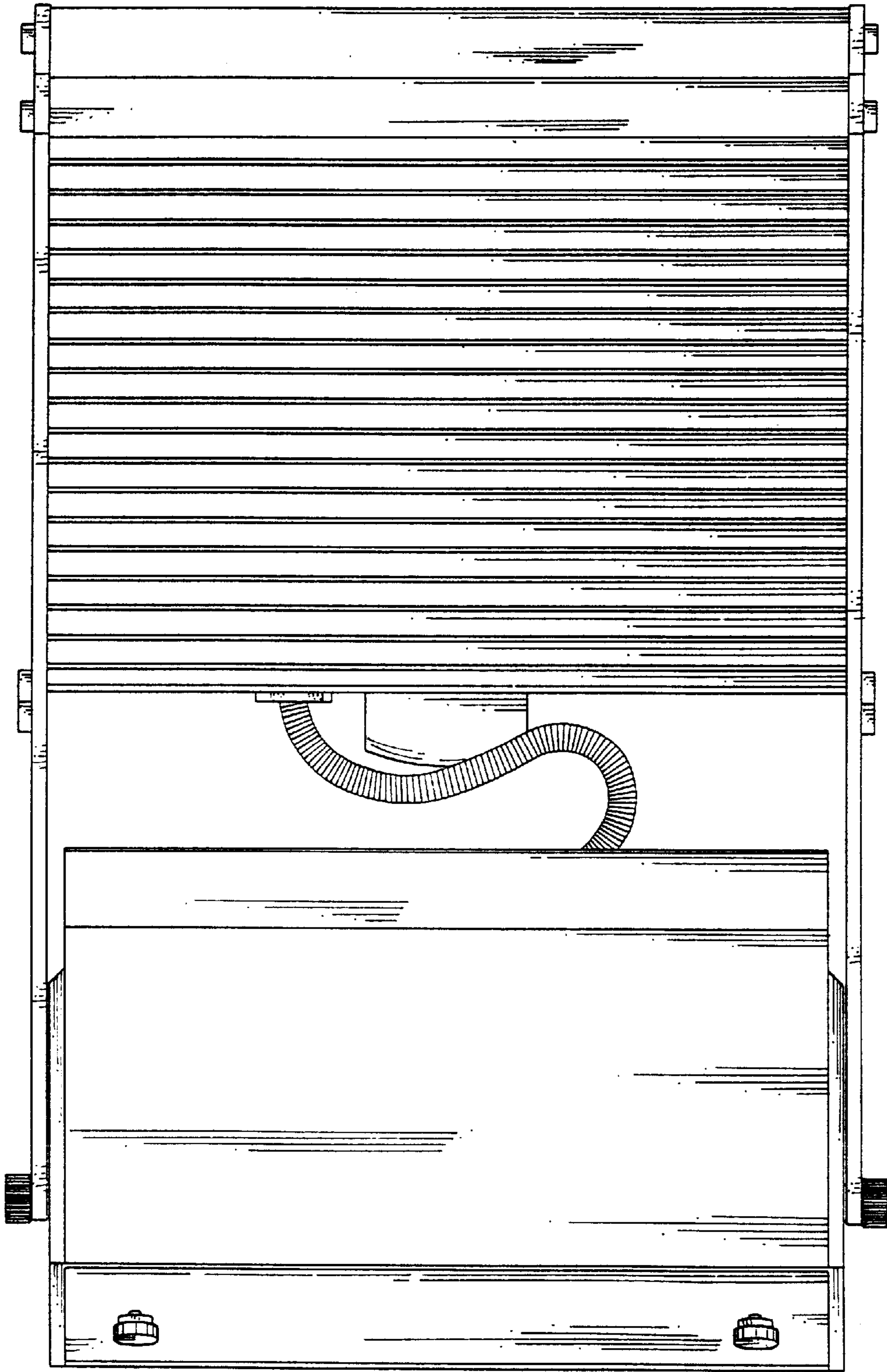


FIG.7