



US00D479012S

(12) **United States Design Patent**
Hung

(10) **Patent No.:** **US D479,012 S**

(45) **Date of Patent:** **** Aug. 26, 2003**

(54) **AUTOMOBILE LIGHT**

D469,897 S * 2/2003 Liao et al. D26/28

(75) **Inventor:** **Chi-Chung Hung**, Tainan (TW)

* cited by examiner

(73) **Assignee:** **TYC Brother Industrial Co., Ltd.**,
Tainan (TW)

Primary Examiner—Marcus A. Jackson

(74) *Attorney, Agent, or Firm*—Fitzpatrick, Cella, Harper &
Scinto

(**) **Term:** **14 Years**

(57) **CLAIM**

(21) **Appl. No.:** **29/170,666**

The ornamental design for automobile light, as shown and
described.

(22) **Filed:** **Nov. 12, 2002**

(51) **LOC (7) Cl.** **26-04**

(52) **U.S. Cl.** **D26/28**

(58) **Field of Search** D26/28-36; 362/61,
362/80, 81, 82, 83, 83.4, 267, 269, 275

DESCRIPTION

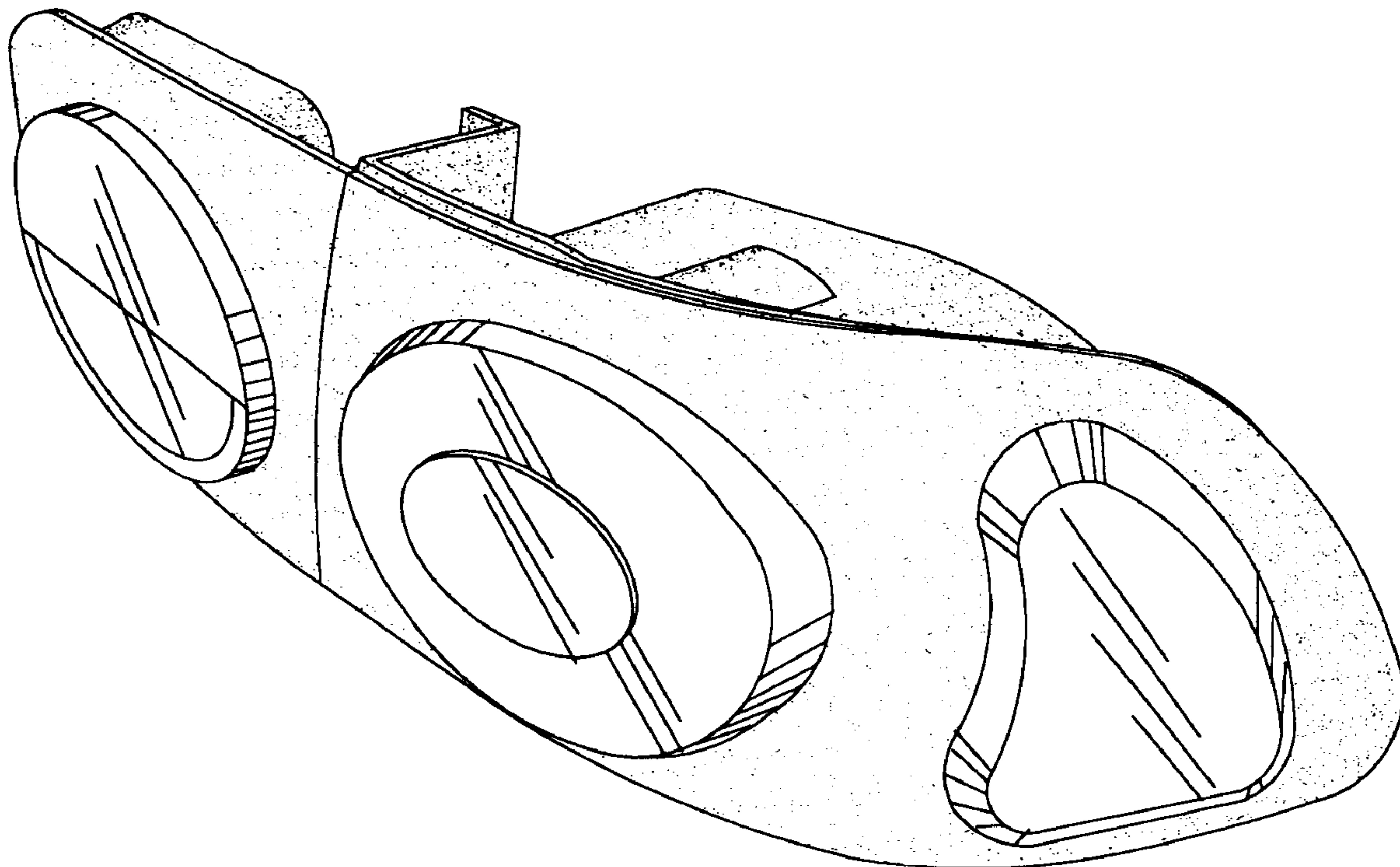
FIG. 1 is a perspective view of automobile light showing my
new design;
FIG. 2 is a front elevational view thereof;
FIG. 3 is a rear elevational view thereof;
FIG. 4 is a left side elevational view thereof;
FIG. 5 is a right side elevational view thereof;
FIG. 6 is a top plan view thereof; and,
FIG. 7 is a bottom plan view thereof.

(56) **References Cited**

U.S. PATENT DOCUMENTS

- D459,507 S * 6/2002 Horowitz D26/28
- D467,018 S * 12/2002 Shih et al. D26/28
- D467,020 S * 12/2002 Lin D26/28

1 Claim, 4 Drawing Sheets



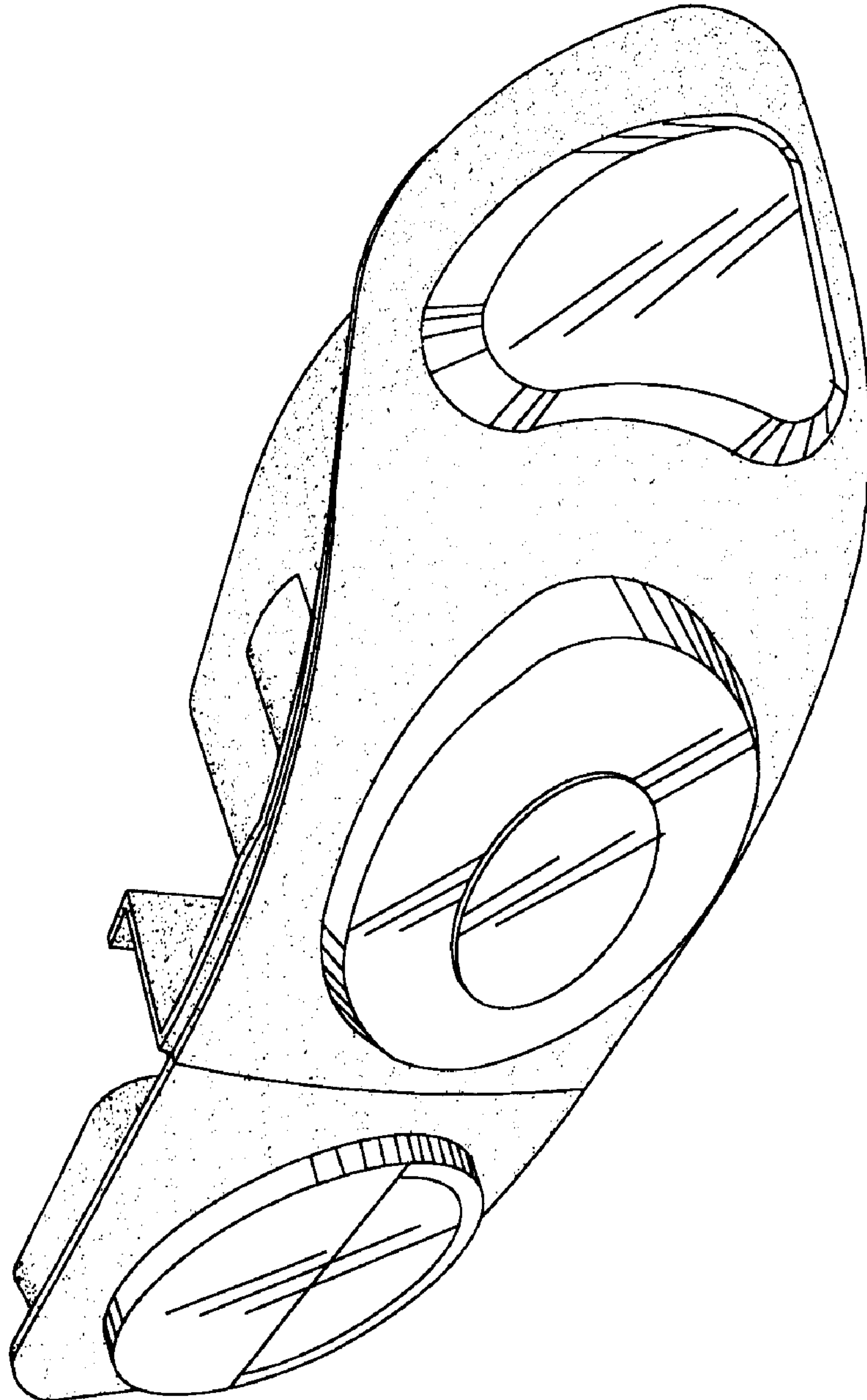


FIG. 1

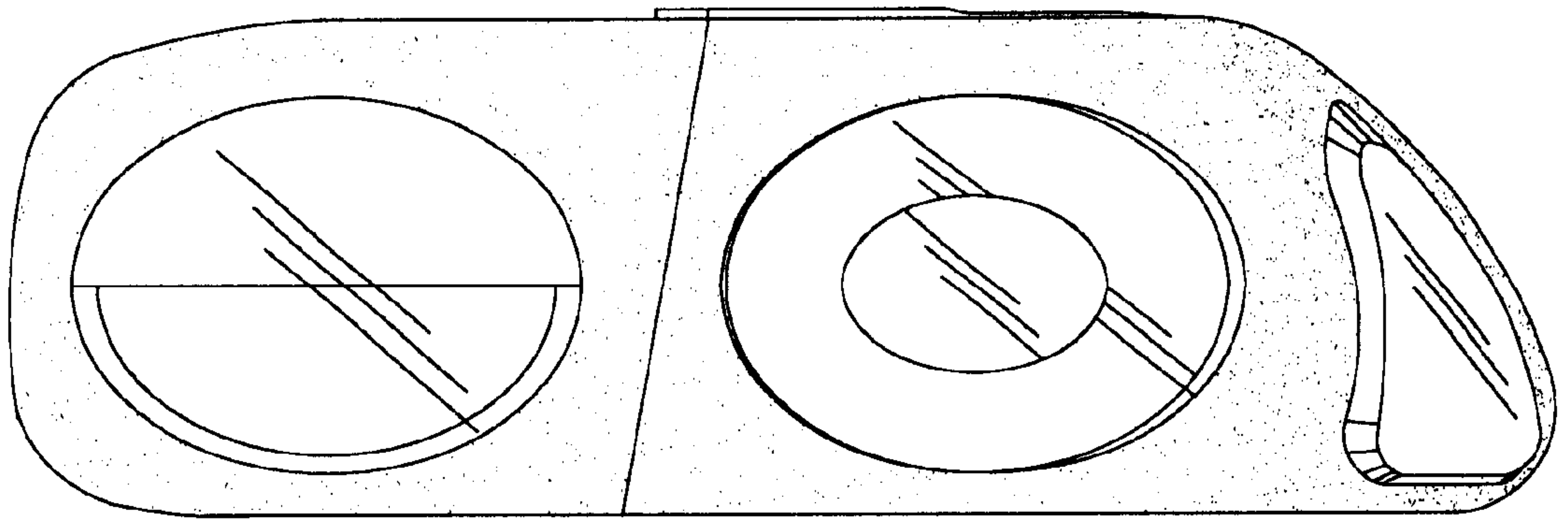


FIG. 2

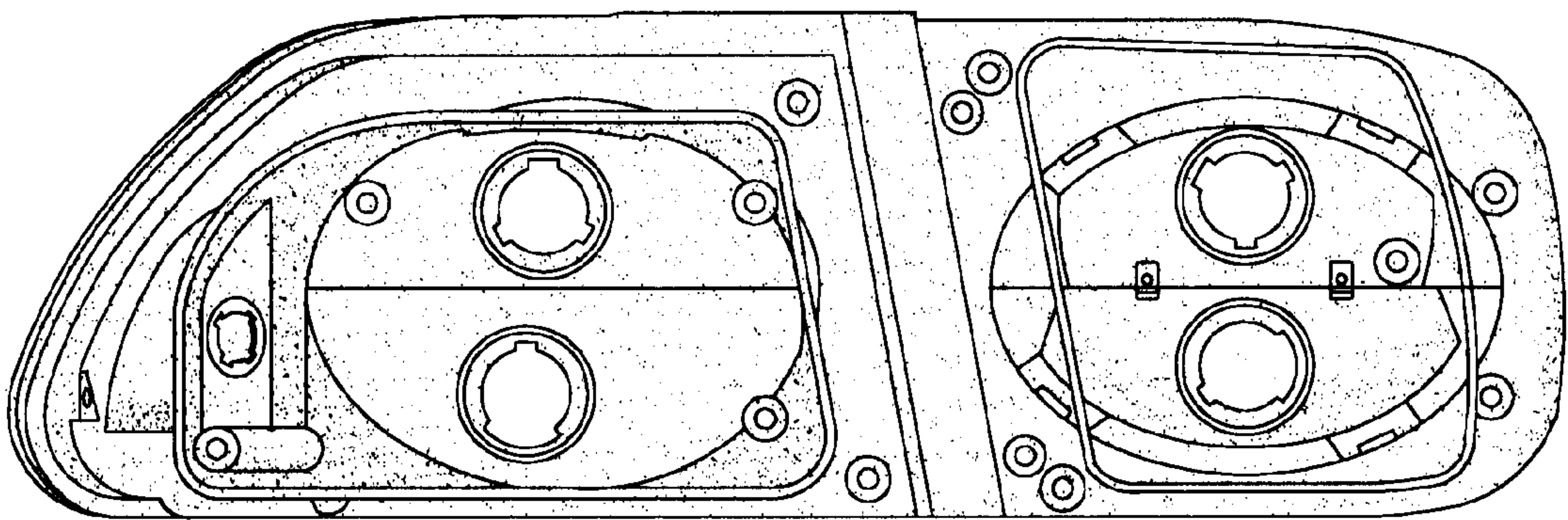


FIG. 3

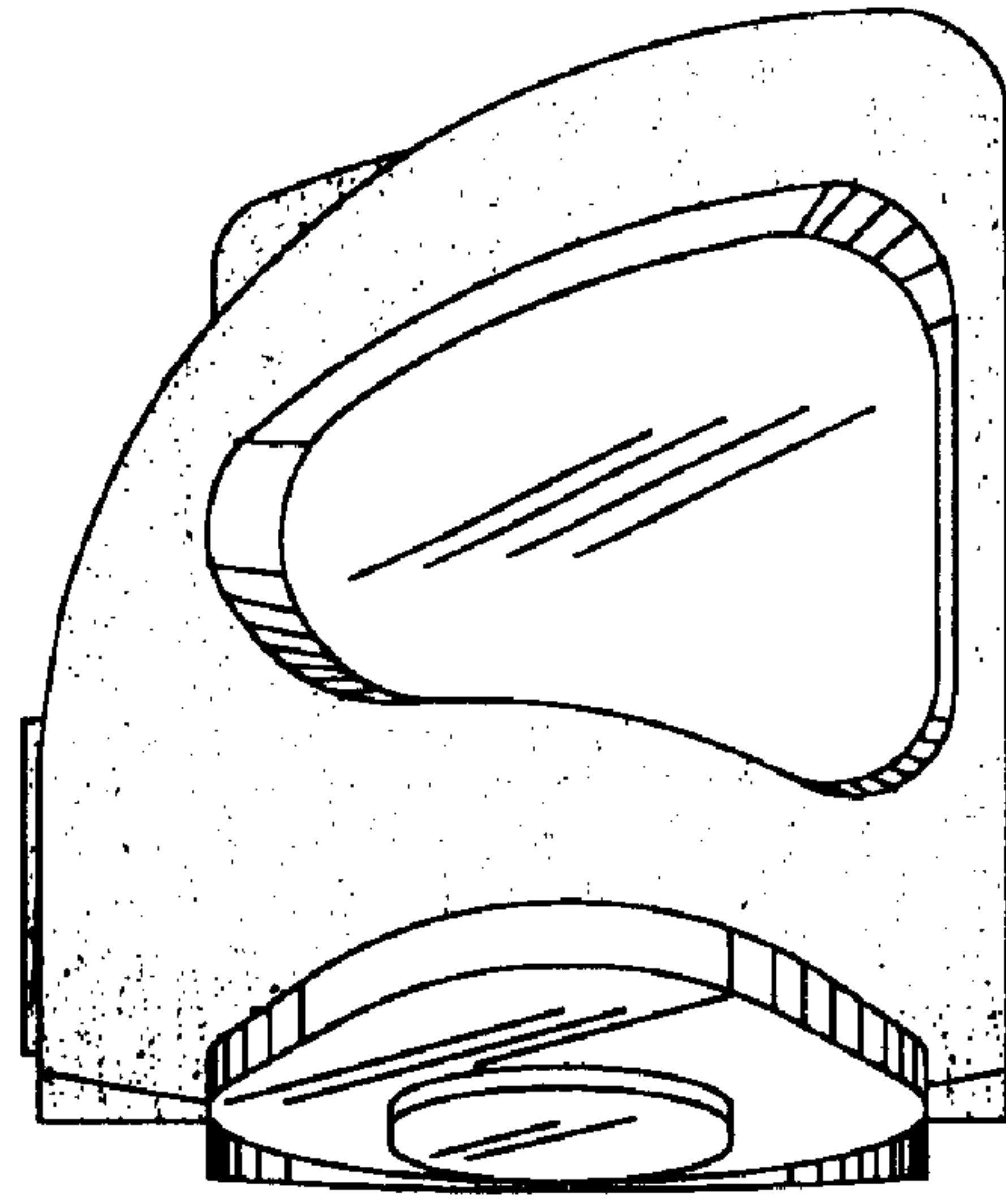


FIG. 5

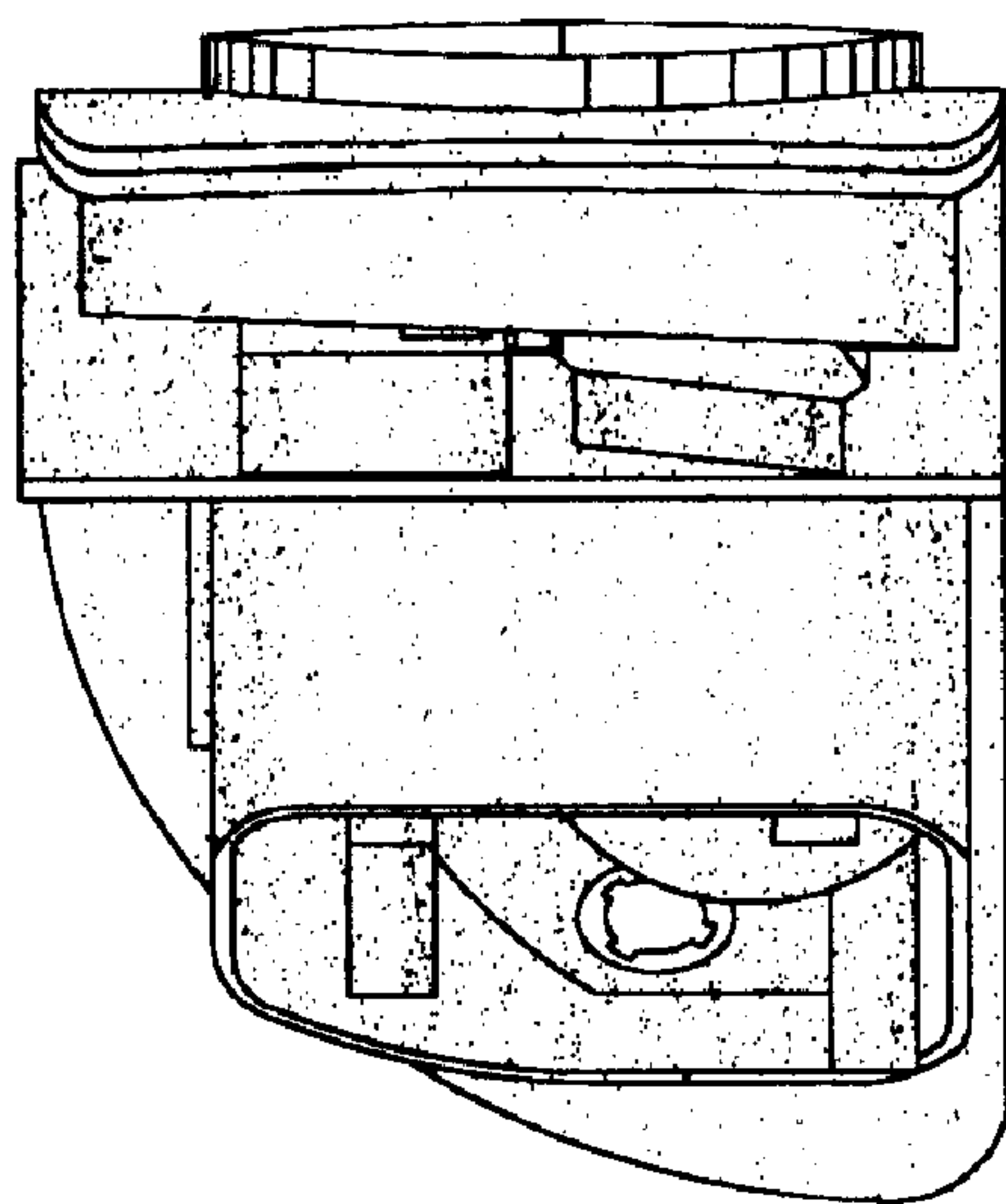


FIG. 4

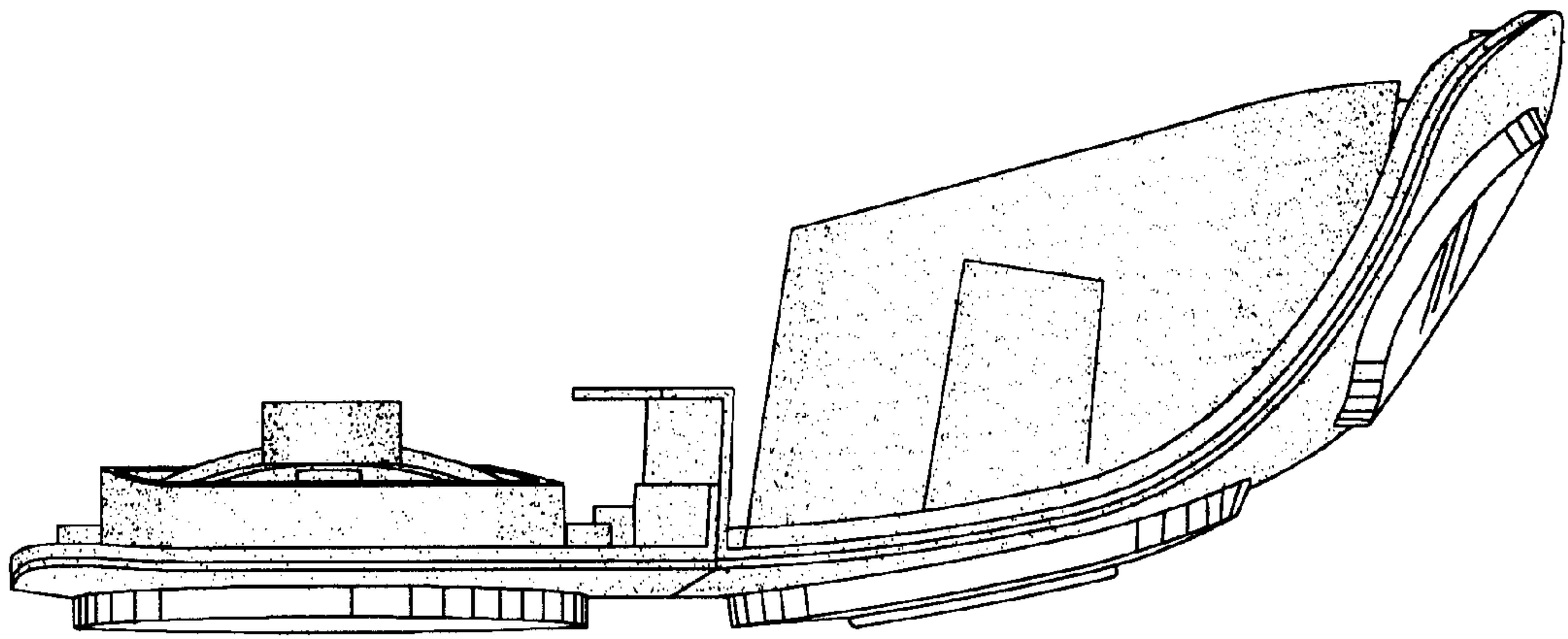


FIG. 6

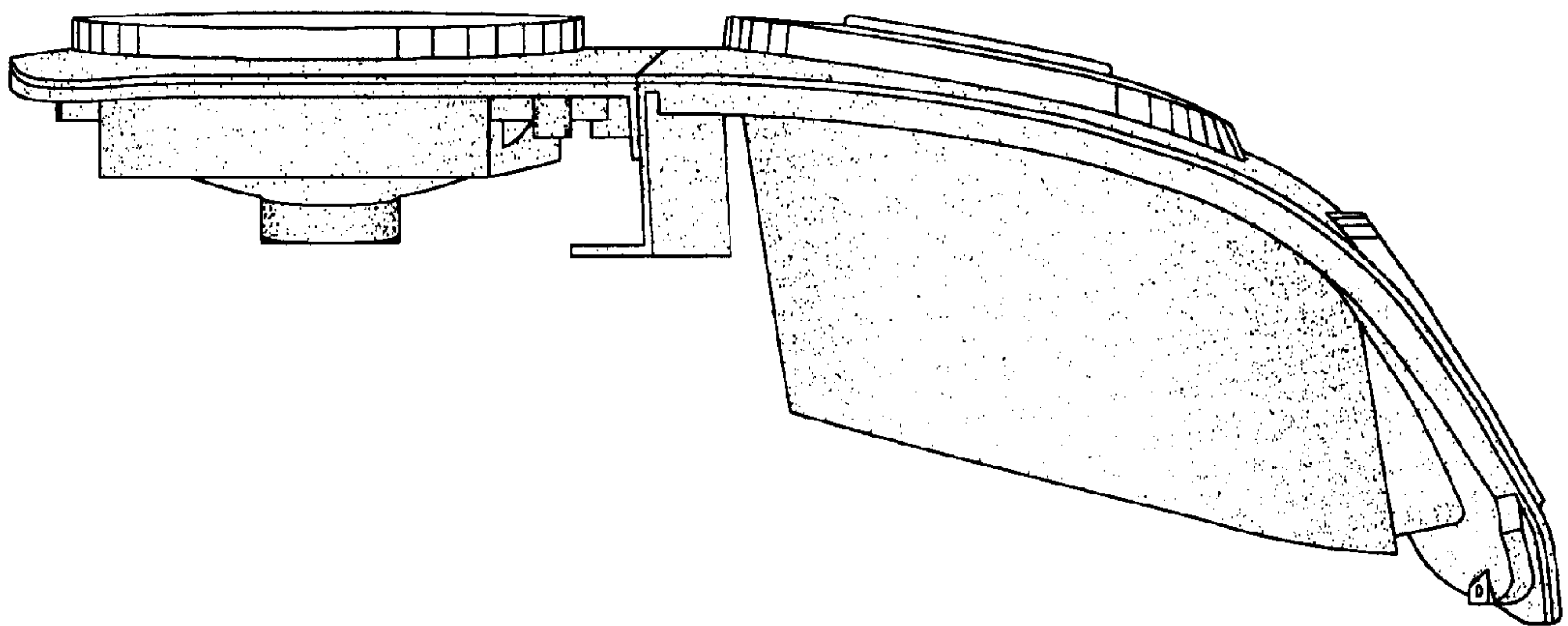


FIG. 7