



US00D479010S

(12) **United States Design Patent**  
**Patel et al.**

(10) **Patent No.:** **US D479,010 S**

(45) **Date of Patent:** **\*\* Aug. 26, 2003**

(54) **DECORATIVE CANDLE**

(76) Inventors: **Smita C. Patel**, 2921 E. Montclair Ct., Littleton, CO (US) 80126; **Shila K. Patel**, 64 Leopold Takawira, Harare, Zimbabwe (ZW)

(\*\*) Term: **14 Years**

(21) Appl. No.: **29/159,460**

(22) Filed: **Apr. 18, 2002**

(51) **LOC (7) Cl.** ..... **26-04**

(52) **U.S. Cl.** ..... **D26/6; D26/9**

(58) **Field of Search** ..... D26/6, 7, 9-11;  
431/288, 291, 295

(56) **References Cited**

**U.S. PATENT DOCUMENTS**

D207,413 S	*	4/1967	Gardner	.....	D26/10
D281,279 S	*	11/1985	Perkins	.....	D26/10
D296,308 S	*	6/1988	Le	.....	D26/11
D332,668 S	*	1/1993	Boss	.....	D26/11
D421,656 S	*	3/2000	Batterman-jordan	.....	D26/10

**OTHER PUBLICATIONS**

1 Stop Bath and Body Shop, "Candles: Mauve sky sunset on the water candle," [www.1stopbathandbodyshop.com/item.jhtml?UCIDs=479273%7C718074&PRID=667258](http://www.1stopbathandbodyshop.com/item.jhtml?UCIDs=479273%7C718074&PRID=667258), Jul. 30, 2002, p. 1 of 1. No publication date is shown. Jul. 30, 2002 is the date this was discovered.

1 Stop Bath and Body Shop, "Candles: White sky sunset on the water candle," [www.1stopbathandbodyshop.com/item.jhtml?UCIDs=479273%7C718074&PRID=458280](http://www.1stopbathandbodyshop.com/item.jhtml?UCIDs=479273%7C718074&PRID=458280), Jul. 30, 2002, p. 1 of 1. No publication date is shown. Jul. 30, 2002 is the date this was discovered.

1 Stop Bath and Body Shop, "1StopBathandBodyShop.com," [www.1stopbathandbodyshop.com](http://www.1stopbathandbodyshop.com), Jul. 30, 2002, pp. 1 & 2. No publication date is shown. Jul. 30, 2002 is the date this was discovered.

1 Stop Bath and Body Shop, "Candles," [www.1stopbathandbodyshop.com/category.html?UCIDs=718074](http://www.1stopbathandbodyshop.com/category.html?UCIDs=718074), Jul. 30, 2002, pp. 1 & 2. No publication date is shown. Jul. 30, 2002 is the date this was discovered.

\* cited by examiner

*Primary Examiner*—Robin V. Taylor  
(74) *Attorney, Agent, or Firm*—The Law Offices of William W. Cochran, LLC; Paul M. Thompson

(57) **CLAIM**

The ornamental design for a decorative candle, as shown and described.

**DESCRIPTION**

FIG. 1 is an isometric view of a decorative candle showing my new design;

FIG. 2 is a front plan view thereof;

FIG. 3 is a right side plan view thereof;

FIG. 4 is a left side plan view thereof;

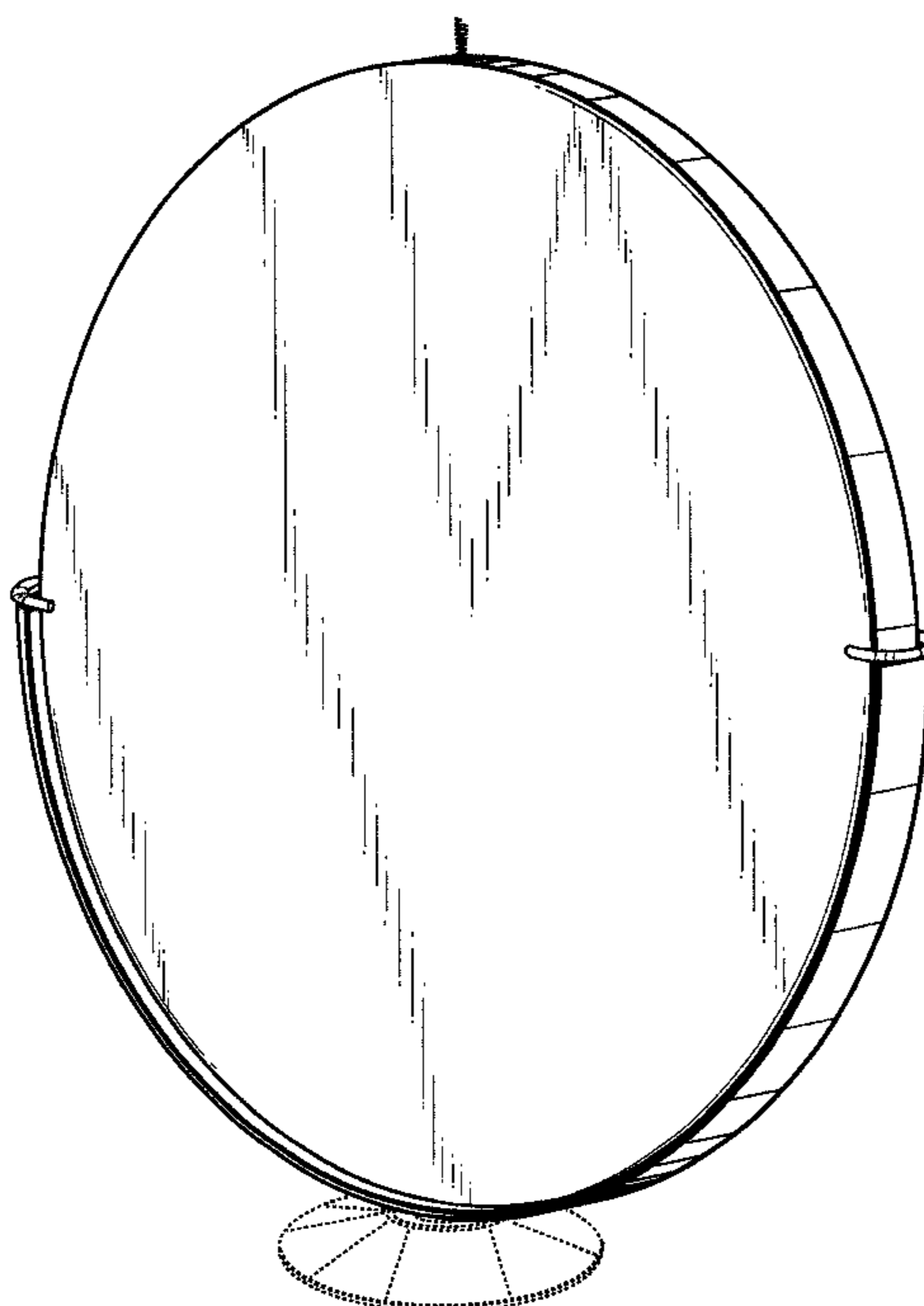
FIG. 5 is a top plan view thereof;

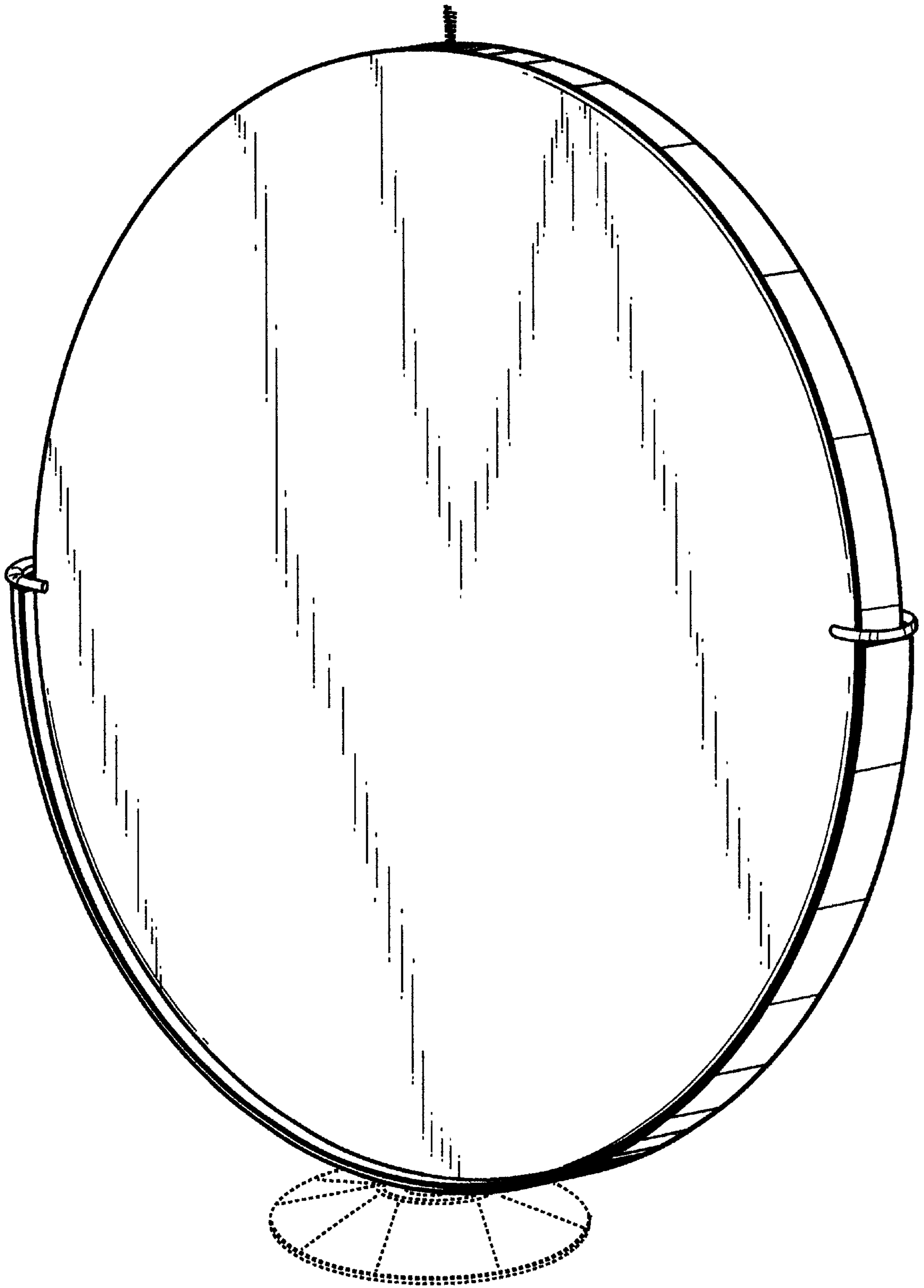
FIG. 6 is a rear plan view thereof; and,

FIG. 7 is a bottom plan view thereof.

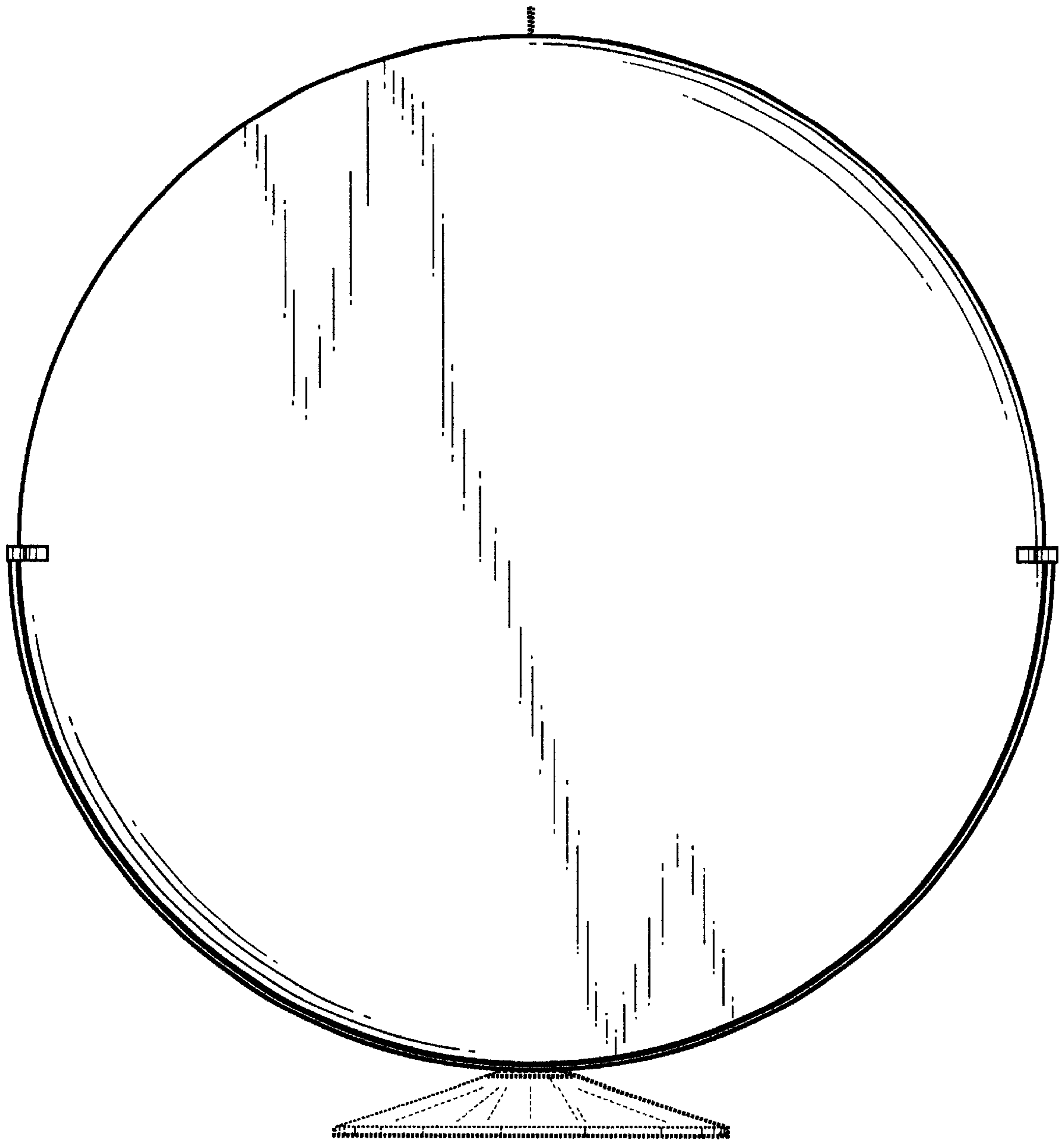
The broken line showing is for illustrative purposes only and forms no part of the claimed design.

**1 Claim, 7 Drawing Sheets**

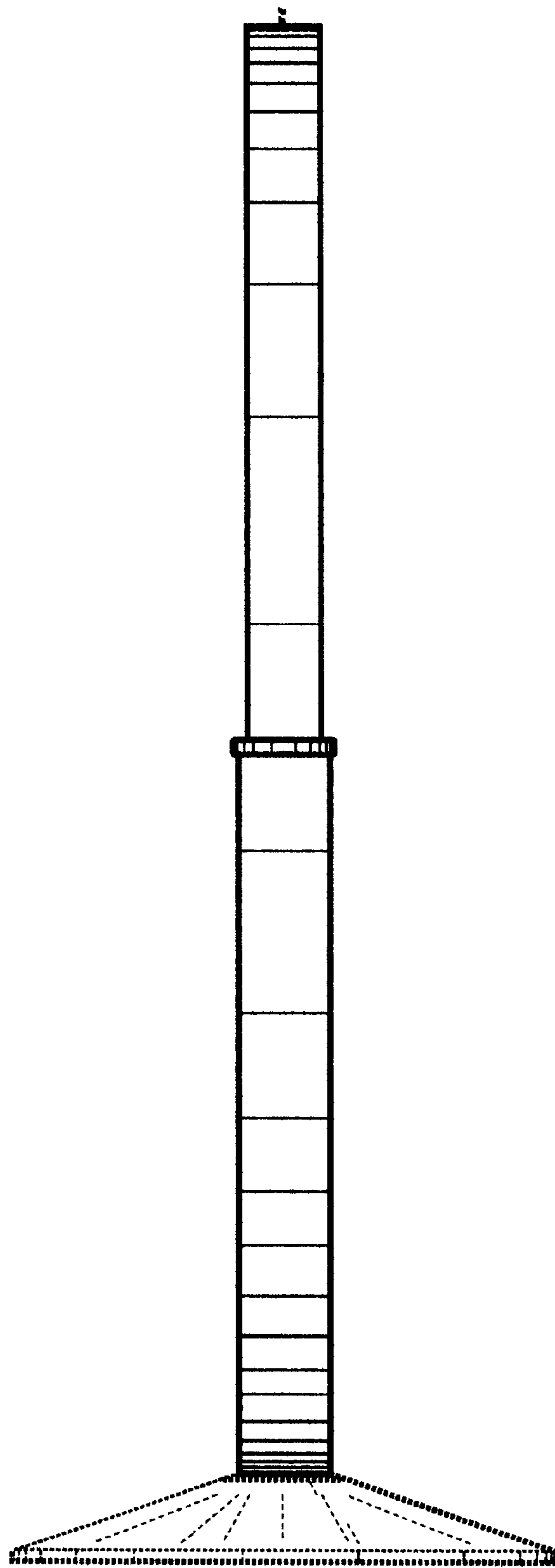




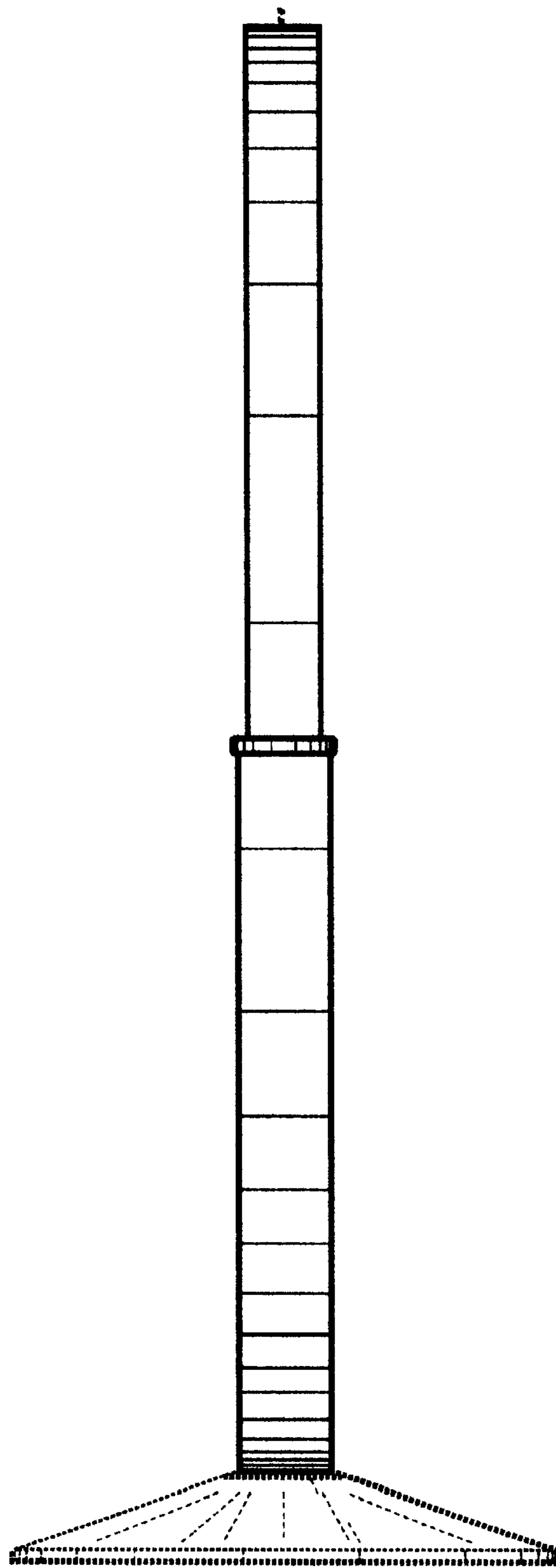
**FIGURE 1**



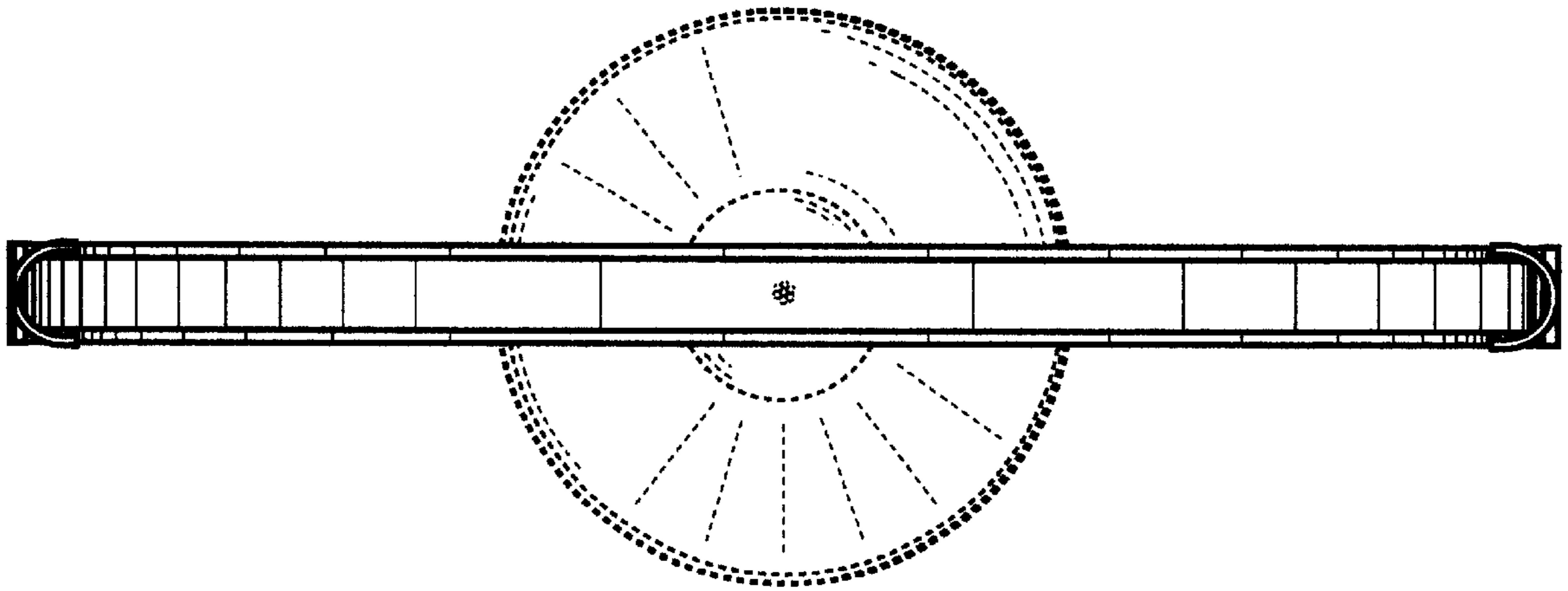
**FIGURE 2**



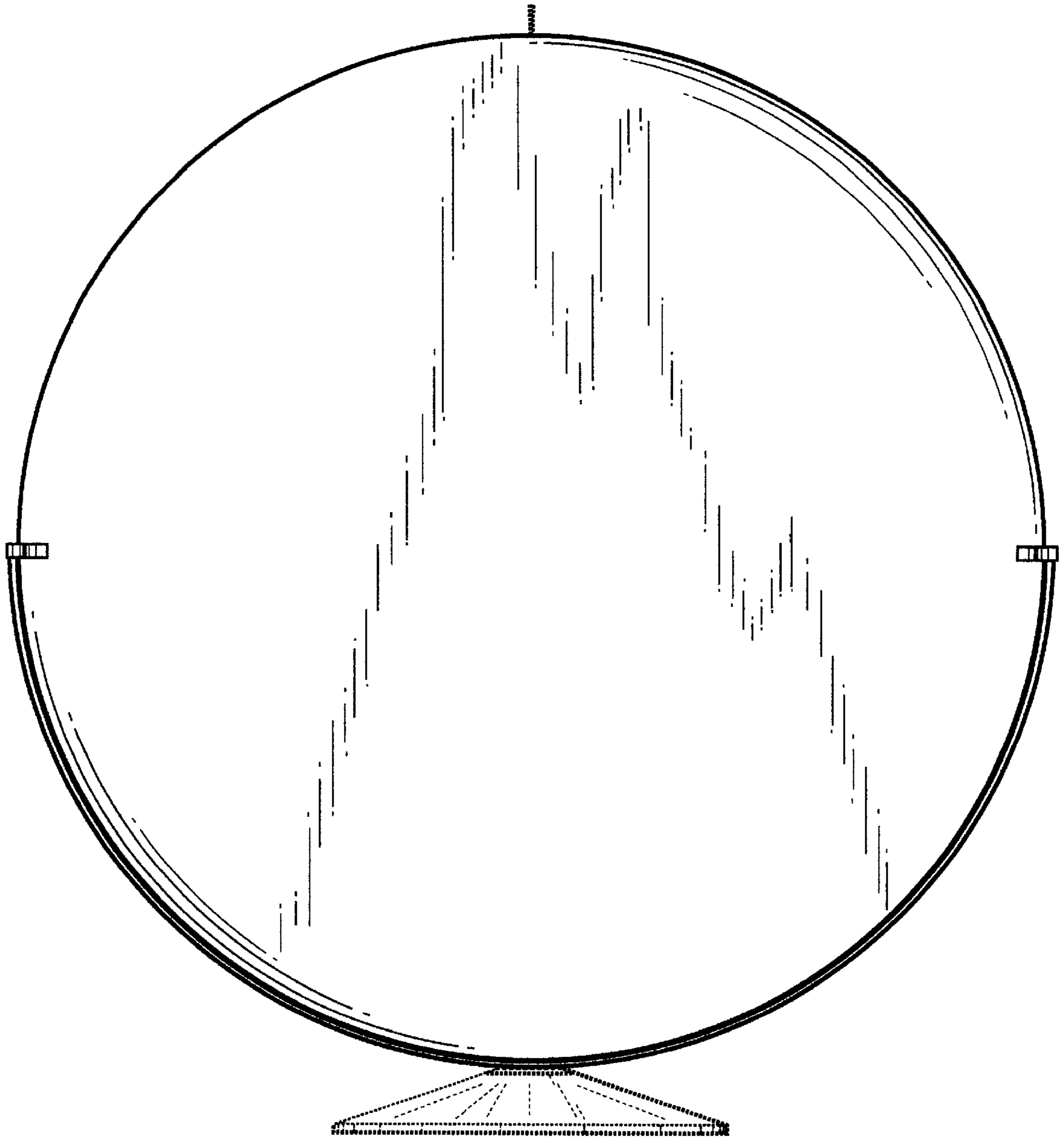
**FIGURE 3**



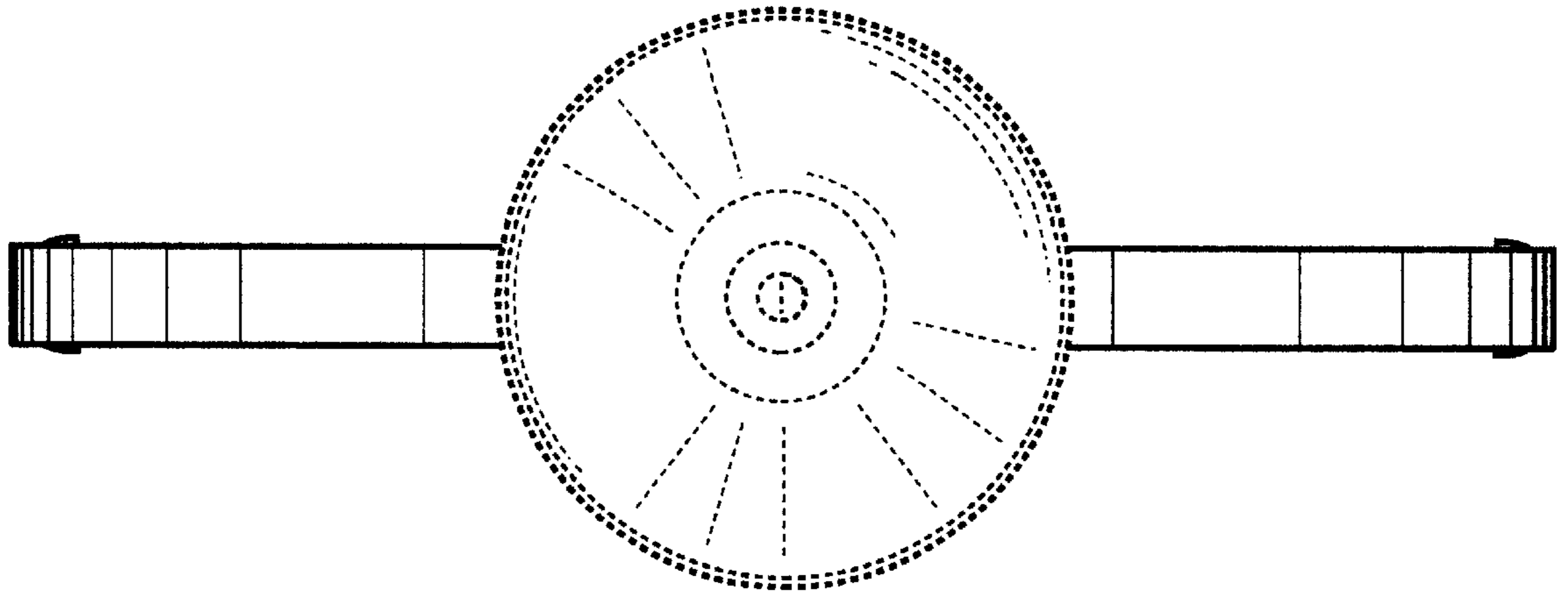
**FIGURE 4**



**FIGURE 5**



**FIGURE 6**



**FIGURE 7**