



US00D479007S

(12) **United States Design Patent**  
**Biro**

(10) **Patent No.:** **US D479,007 S**

(45) **Date of Patent:** **\*\* Aug. 26, 2003**

(54) **NON-SLIP TREAD FOR AN ELONGATED FLOORING MEMBER**

D329,914 S 9/1992 Veilleux  
5,913,784 A 6/1999 Hite  
6,112,479 A 9/2000 Andres

(75) Inventor: **Michael Julius Biro**, Boca Raton, FL (US)

**FOREIGN PATENT DOCUMENTS**

(73) Assignee: **Polymer Building Products LLC.**, Pompano Beach, FL (US)

FR 612348 7/1926  
GB 2043739 A 10/1980  
JP 6-173404 A 6/1994  
JP 6-185188 A 7/1994

(\*\*) Term: **14 Years**

*Primary Examiner*—Doris Clark

(21) Appl. No.: **29/163,598**

(74) *Attorney, Agent, or Firm*—Ronald V. Davidge

(22) Filed: **Jul. 9, 2002**

(57) **CLAIM**

**Related U.S. Application Data**

The ornamental design for a non-slip tread for an elongated flooring member, as shown and described.

(60) Continuation of application No. 29/123,268, filed on May 15, 2000, now Pat. No. Des. 461,015, which is a continuation of application No. 09/228,734, filed on Jan. 12, 1999, now Pat. No. 6,062,844, which is a division of application No. 09/079,665, filed on May 14, 1998, now Pat. No. 5,904,011.

**DESCRIPTION**

(51) **LOC (7) Cl.** ..... **25-01**

FIG. 1 is a left end elevation of non-slip tread for an elongated flooring member, the right end elevation being identical;

(52) **U.S. Cl.** ..... **D25/125**

FIG. 2 is a top plan view thereof;

(58) **Field of Search** ..... D25/125, 121; 52/190, 182, 181; 114/266

FIG. 3 is a front elevation thereof, the rear elevation being identical;

(56) **References Cited**

**U.S. PATENT DOCUMENTS**

2,073,814 A 3/1937 Small  
3,172,343 A 3/1965 Jacobs  
3,555,762 A 1/1971 Costanzo, Jr.  
5,009,045 A 4/1991 Yoder  
5,048,448 A 9/1991 Yoder

FIG. 4 is a fragmentary plan view thereof;

FIG. 5 is a fragmentary transverse cross-sectional view thereof, taken along line 5—5 of FIG. 4;

FIG. 6 is a fragmentary longitudinal cross-sectional view thereof, taken along line 6—6 of FIG. 5; and,

FIG. 7 is a perspective view thereof.

The dotted lines showing an elongated flooring member are environmental only and form no part of the claimed design.

**1 Claim, 3 Drawing Sheets**

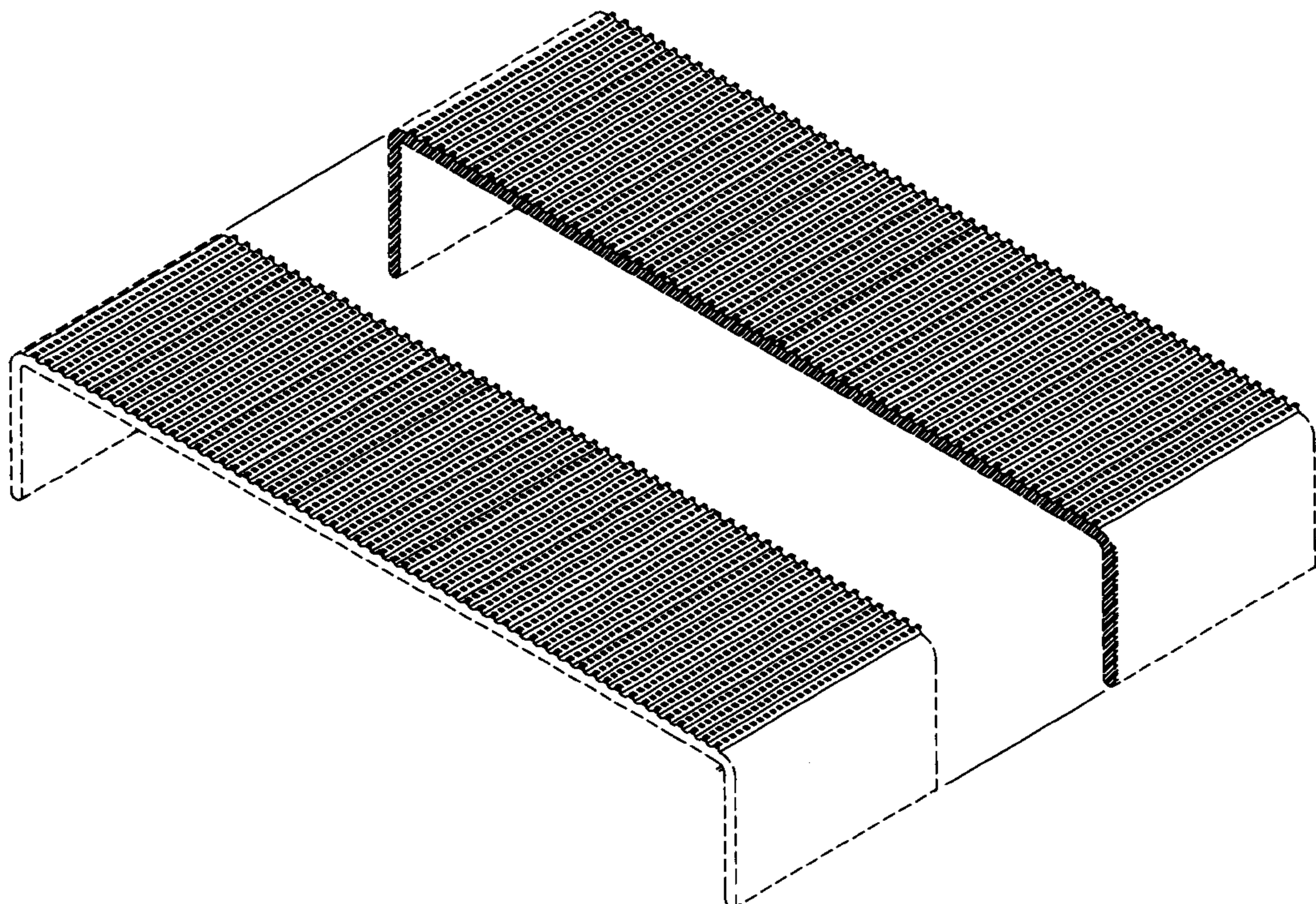


FIG. 1

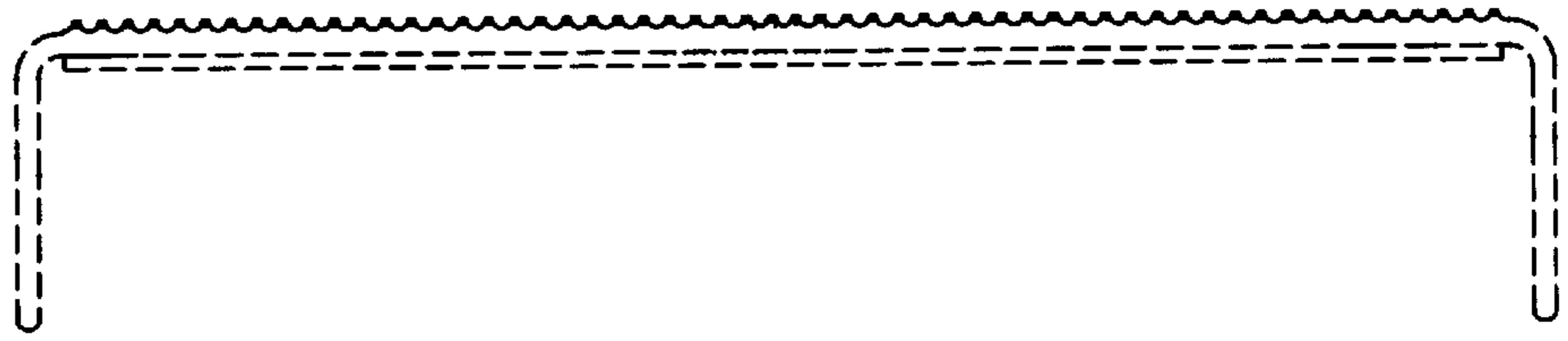


FIG. 2

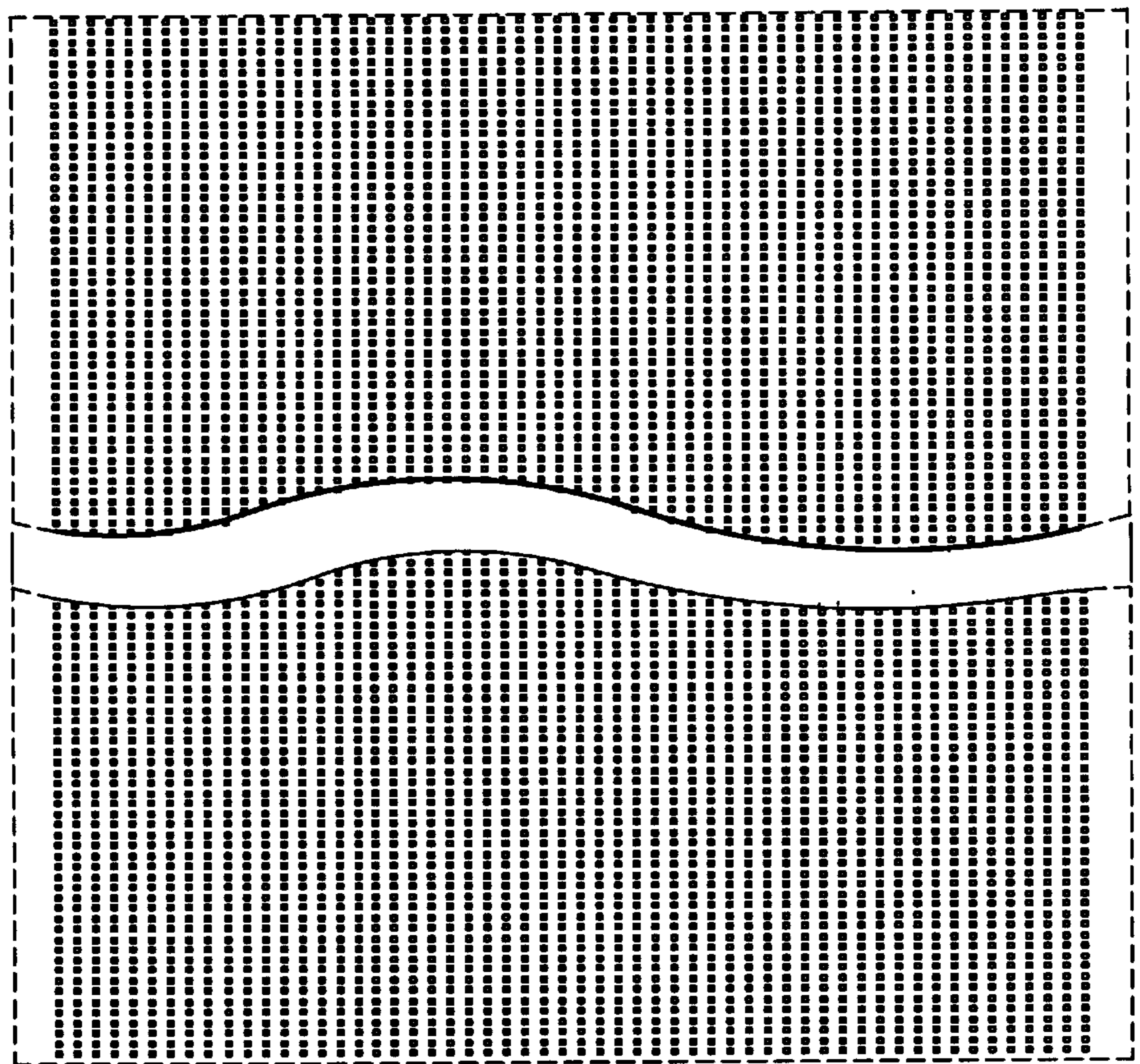
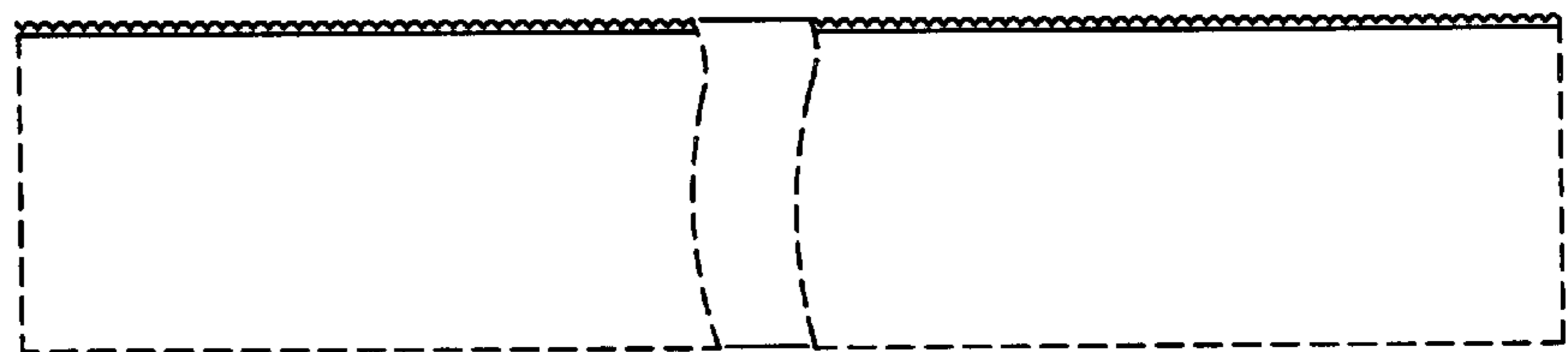


FIG. 3





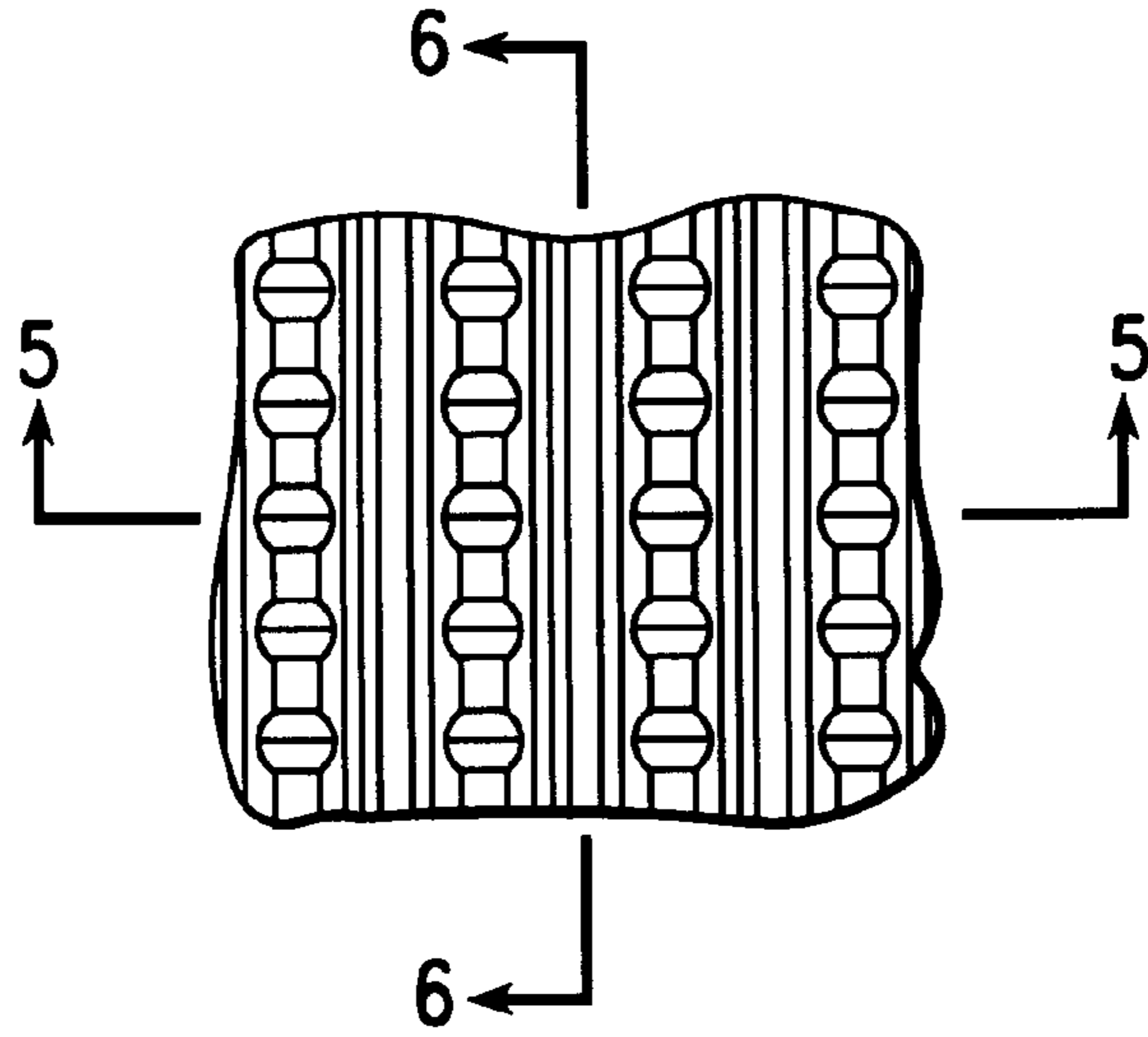


FIG. 4

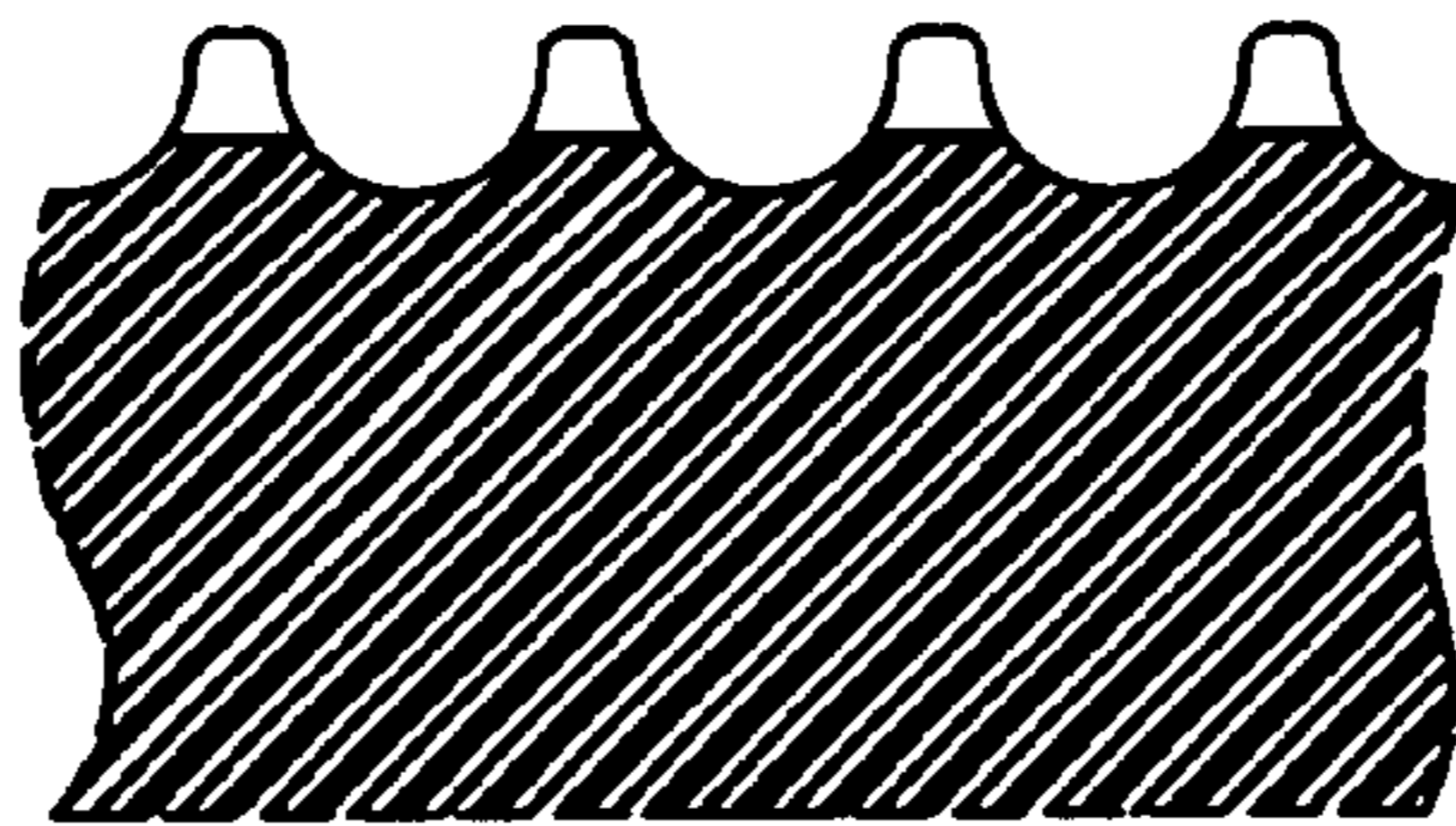


FIG. 5

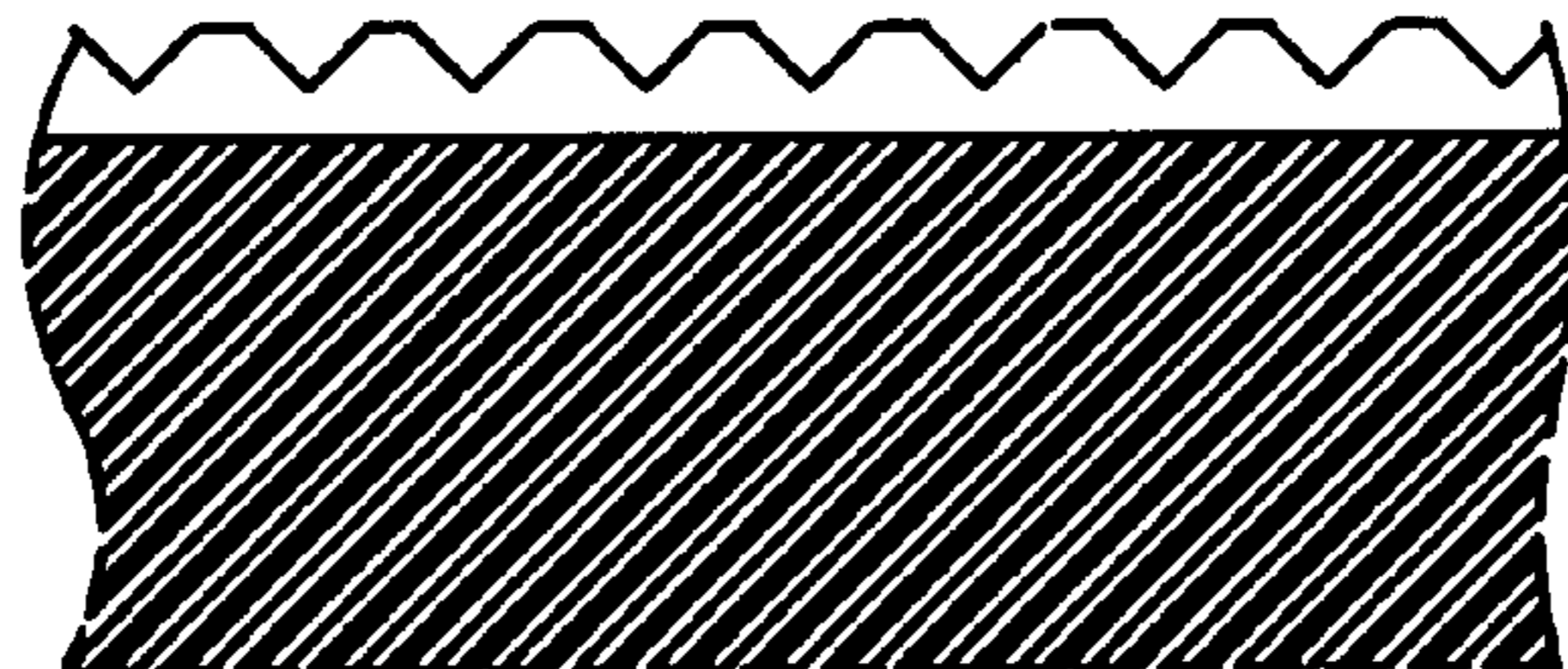


FIG. 6

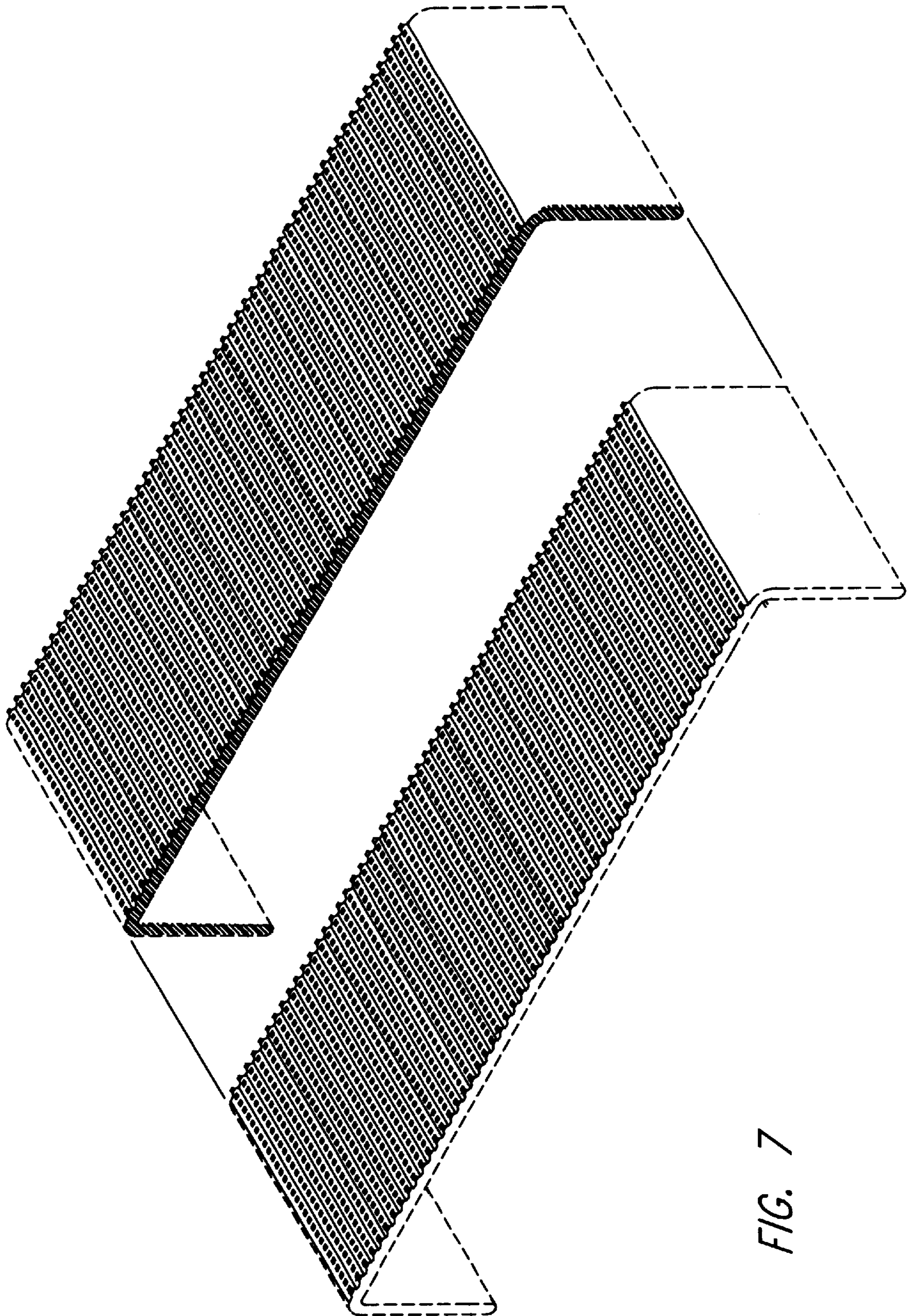


FIG. 7