



US00D479000S

(12) **United States Design Patent**  
**van Oort**

(10) **Patent No.:** **US D479,000 S**

(45) **Date of Patent:** **\*\* Aug. 26, 2003**

(54) **CONCRETE BLOCK**

6,233,897 B1 \* 5/2001 Jurik ..... 52/604  
D457,971 S \* 5/2002 Schrader et al. .... D25/113

(75) **Inventor:** **Antonius Adrianus Maria van Oort,**  
Lithoyen (NL)

**FOREIGN PATENT DOCUMENTS**

(73) **Assignee:** **Van Oort's Betonmortelcentrale**  
**(O.B.C.) B.V.,** Ne Lithoyen (NL)

BE 528025 \* 4/1954 ..... D25/113 X  
FR 996460 \* 9/1949 ..... D25/117 X

(\*\*) **Term:** **14 Years**

\* cited by examiner

(21) **Appl. No.:** **29/165,025**

*Primary Examiner*—Louis S. Zarfaz  
*Assistant Examiner*—Robert A. Delehanty

(22) **Filed:** **Aug. 1, 2002**

(74) *Attorney, Agent, or Firm*—Ladas & Parry

(30) **Foreign Application Priority Data**

(57) **CLAIM**

Feb. 15, 2002 (WO) ..... DM/060 052

The ornamental design for a “concrete block”, as shown.

(51) **LOC (7) Cl.** ..... **25-01**

**DESCRIPTION**

(52) **U.S. Cl.** ..... **D25/113**

FIG. 1 is a front perspective view of a concrete block of this invention;

(58) **Field of Search** ..... D25/112–118;  
D21/484, 488, 492, 503; 405/16, 284; 404/27–31,  
34, 37–42; 52/102, 574–576, 596, 600–602,  
603–604, 606–607

FIG. 2 is a bottom perspective view thereof;

FIG. 3 is a front view thereof;

FIG. 4 is a rear view thereof;

FIG. 5 is a right-side view thereof;

FIG. 6 is a left-side view thereof;

FIG. 7 is a top view thereof; and,

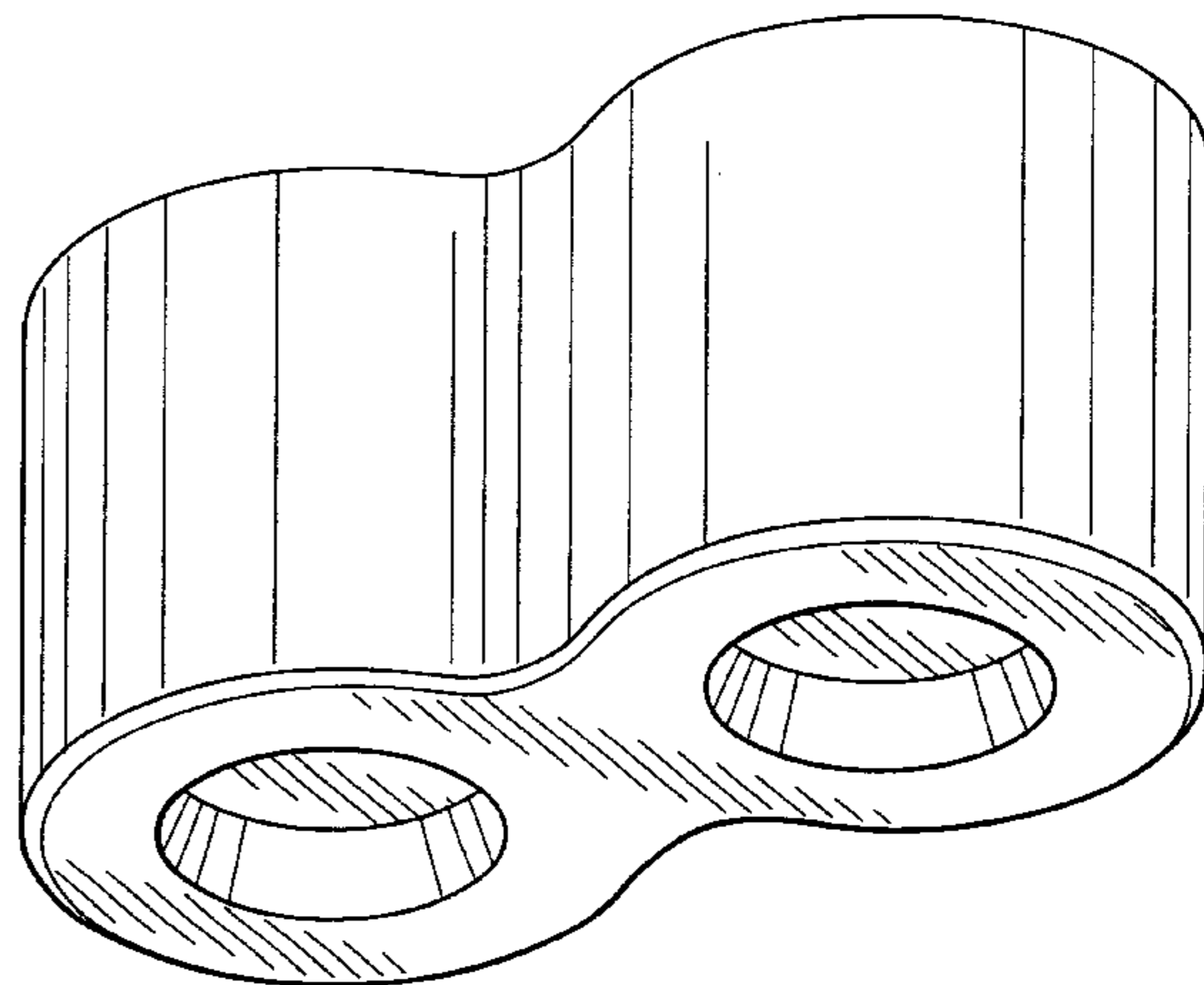
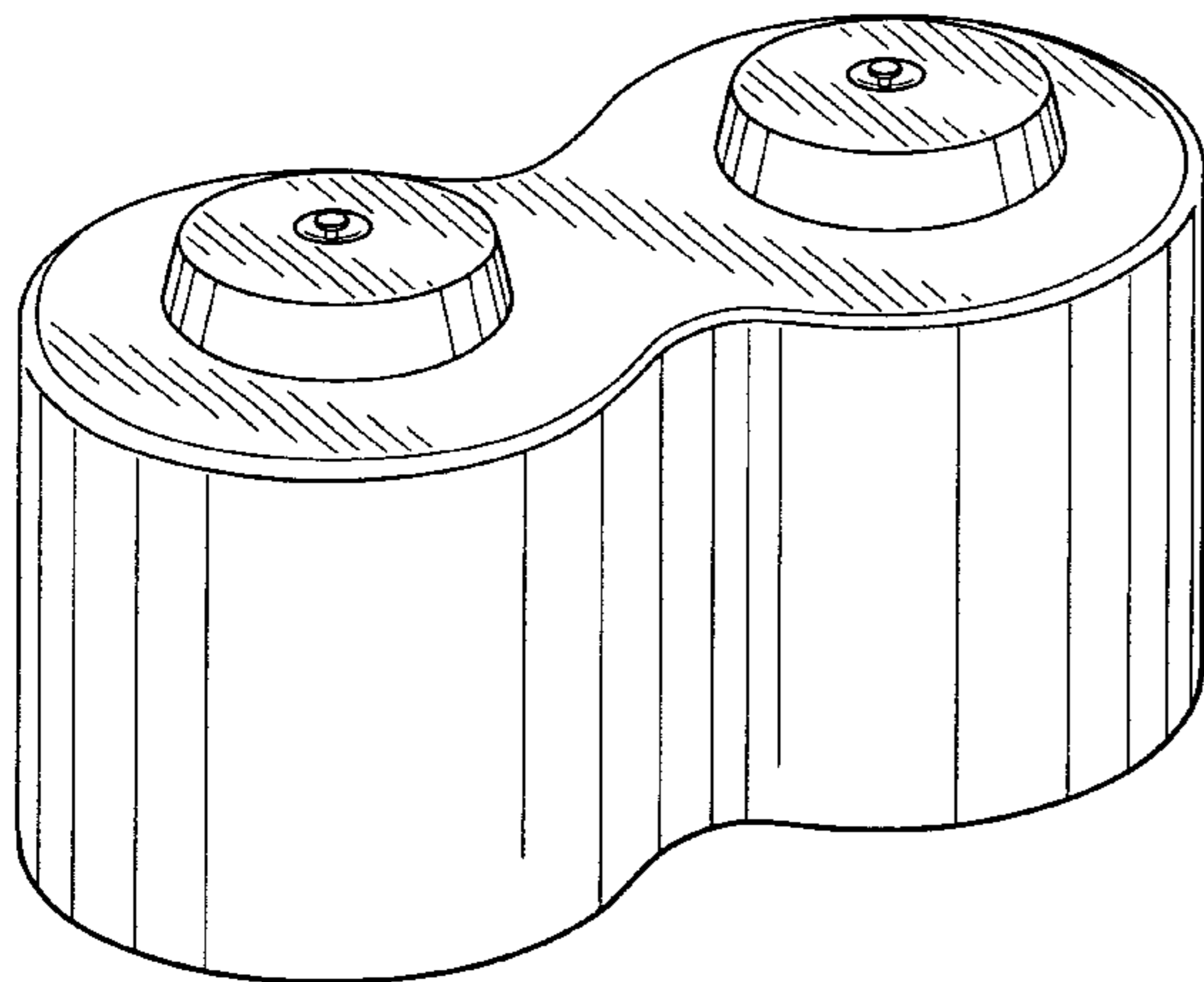
FIG. 8 is a bottom view thereof.

(56) **References Cited**

**U.S. PATENT DOCUMENTS**

5,651,642 A \* 7/1997 Kelley, Jr. et al. .... 405/284 X

**1 Claim, 3 Drawing Sheets**



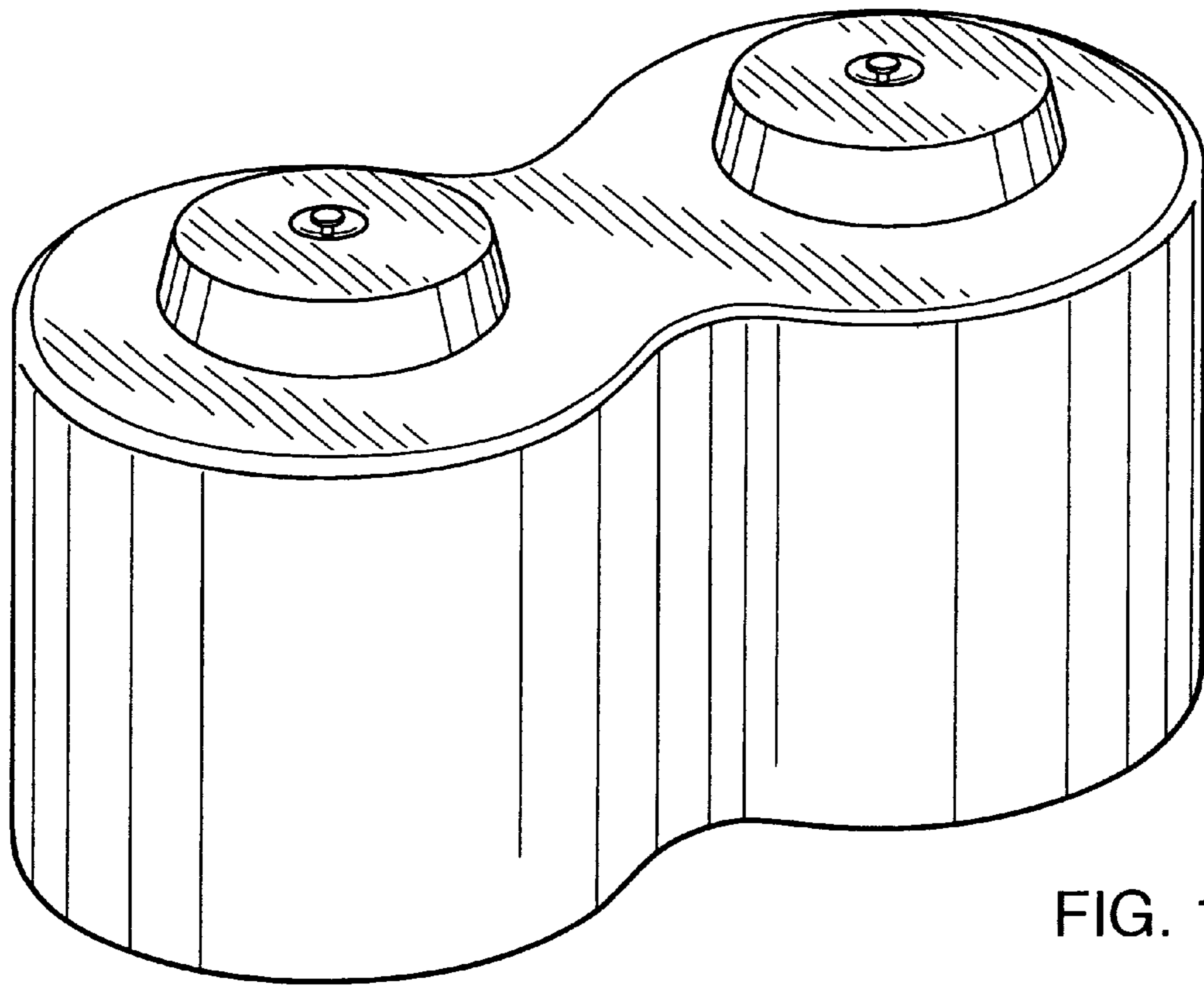


FIG. 1

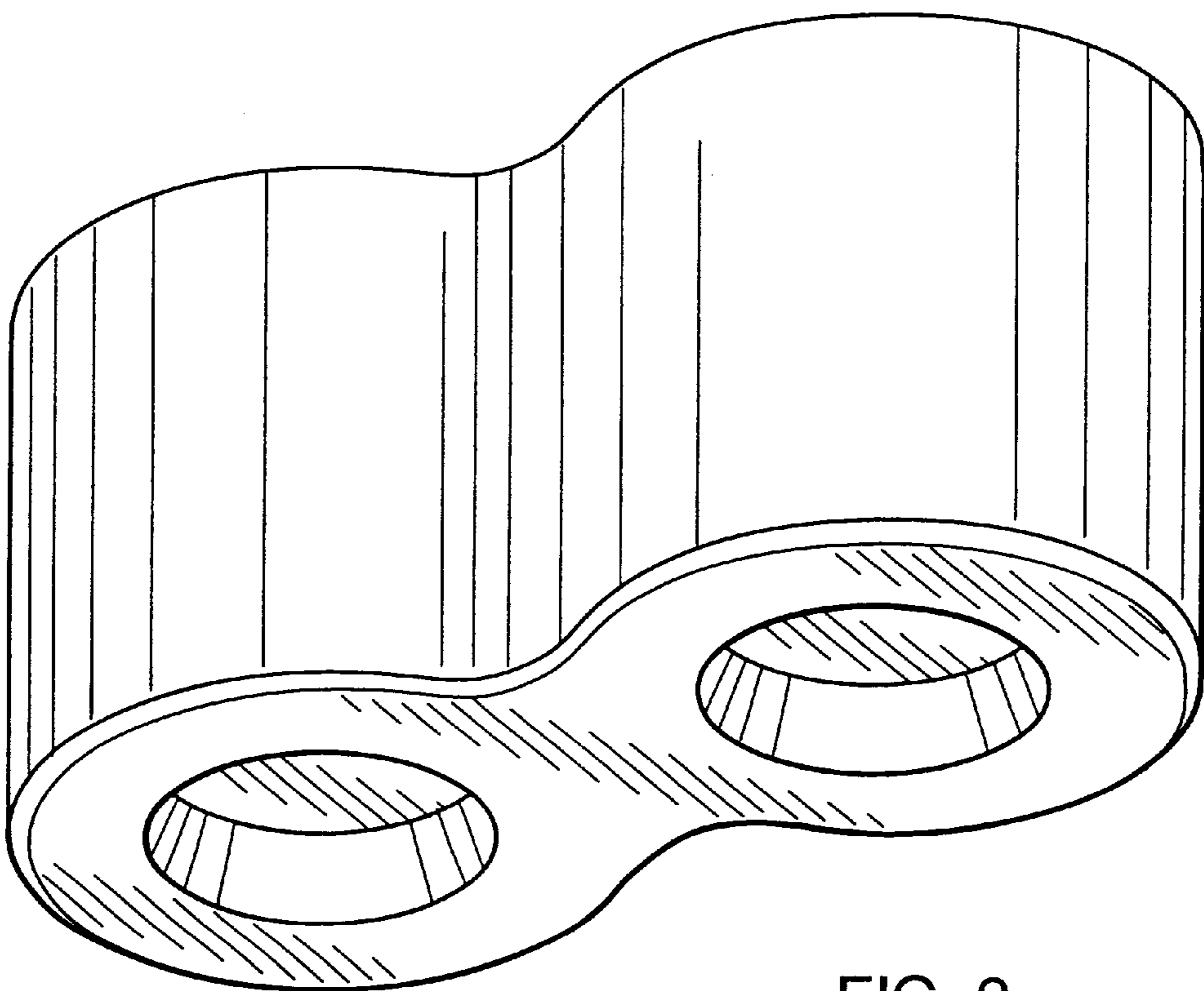


FIG. 2

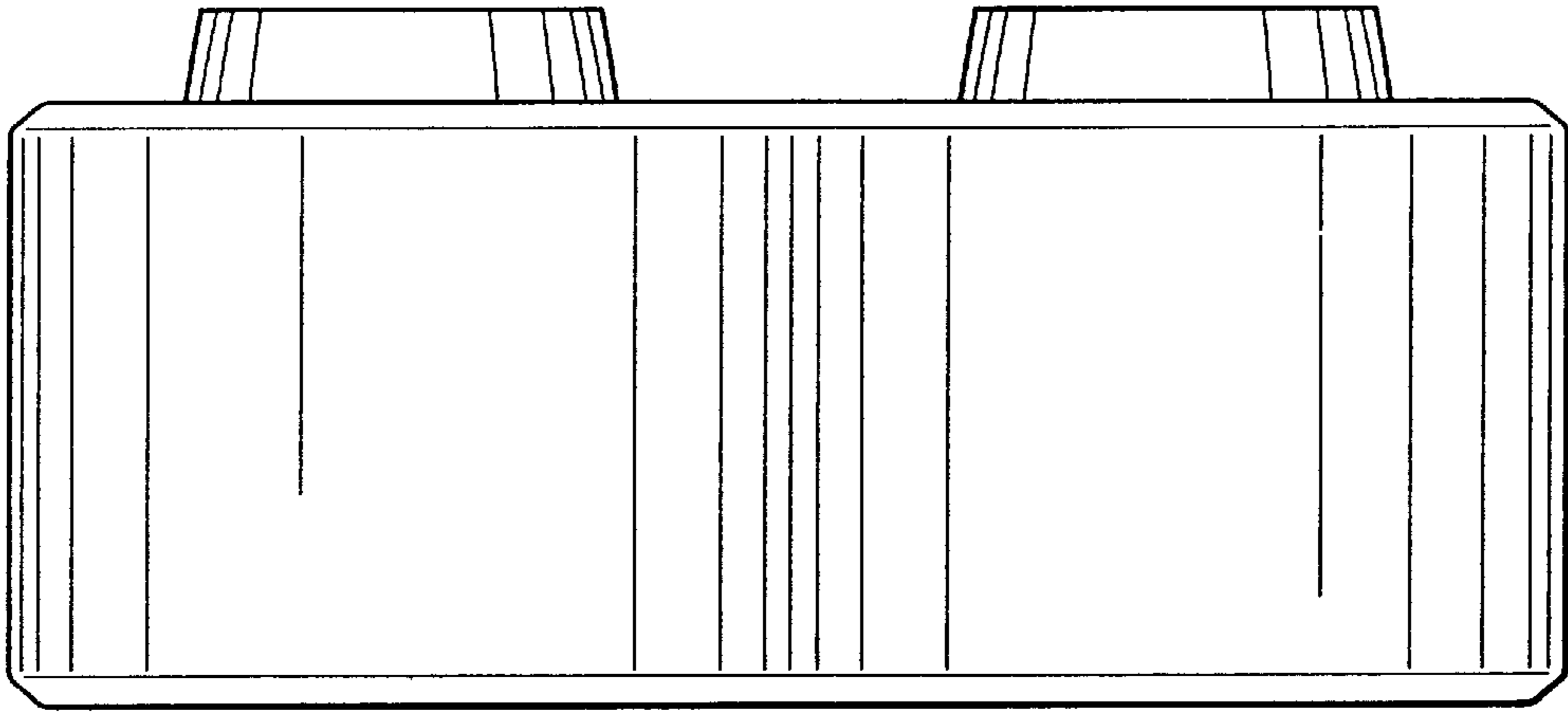


FIG. 3

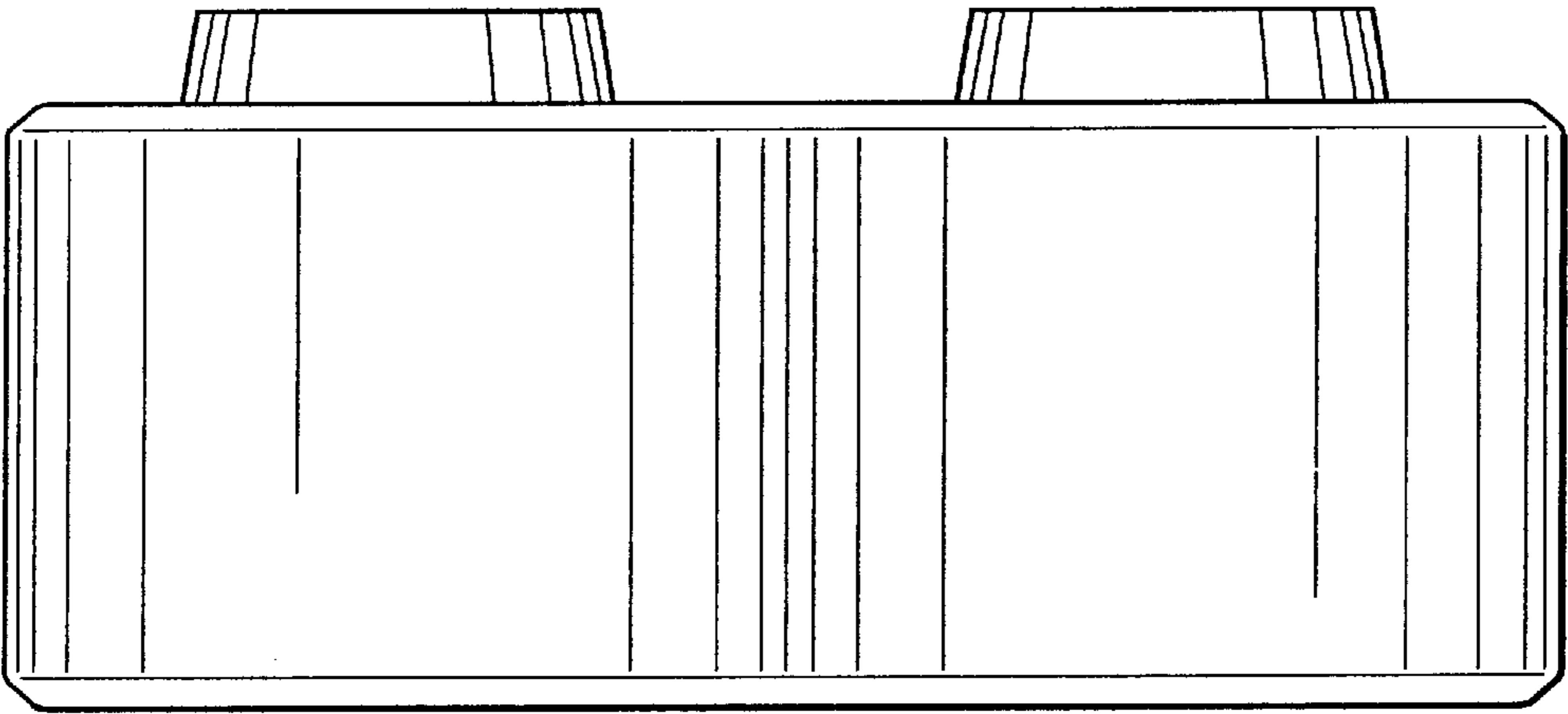


FIG. 4

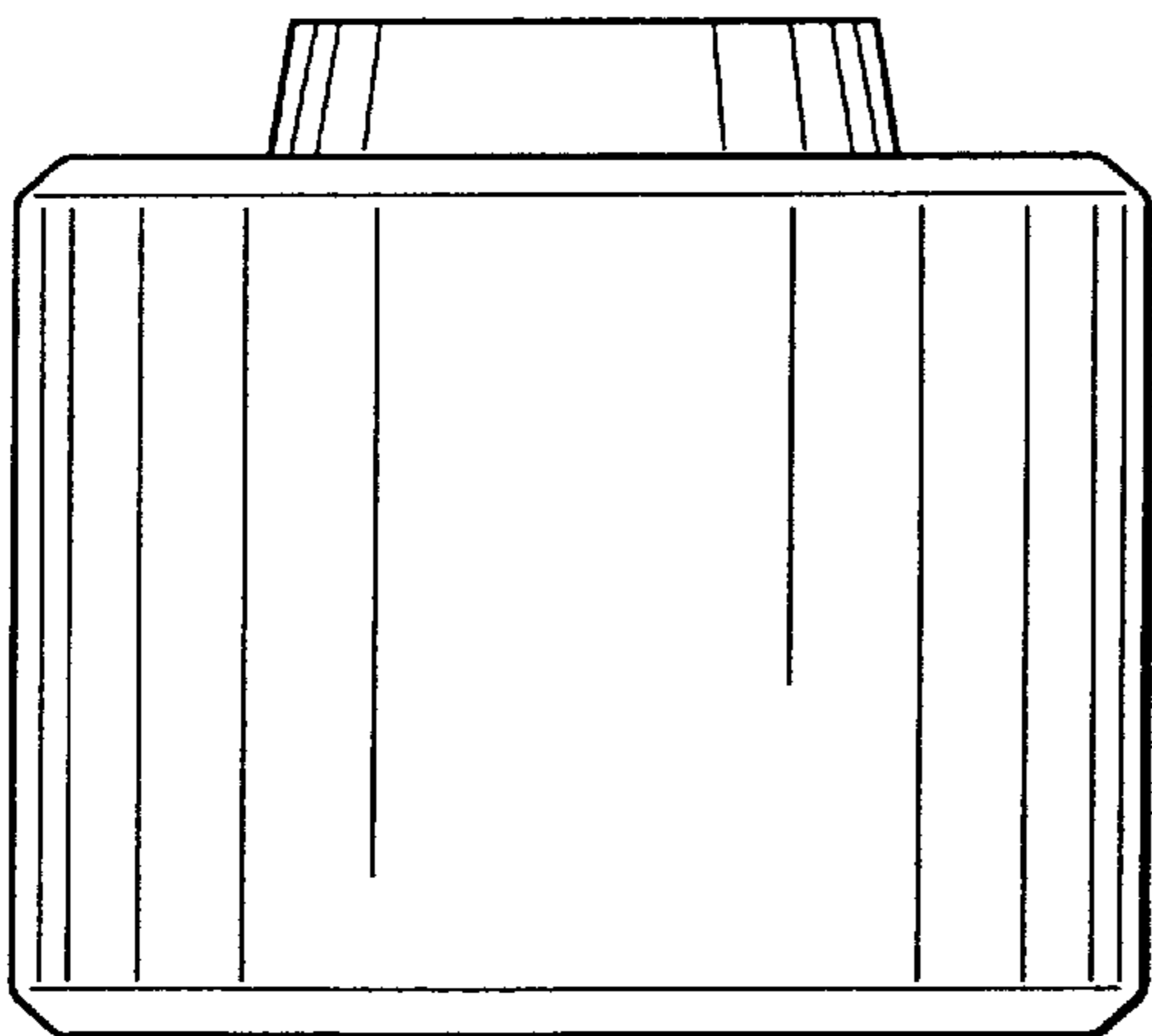


FIG. 5

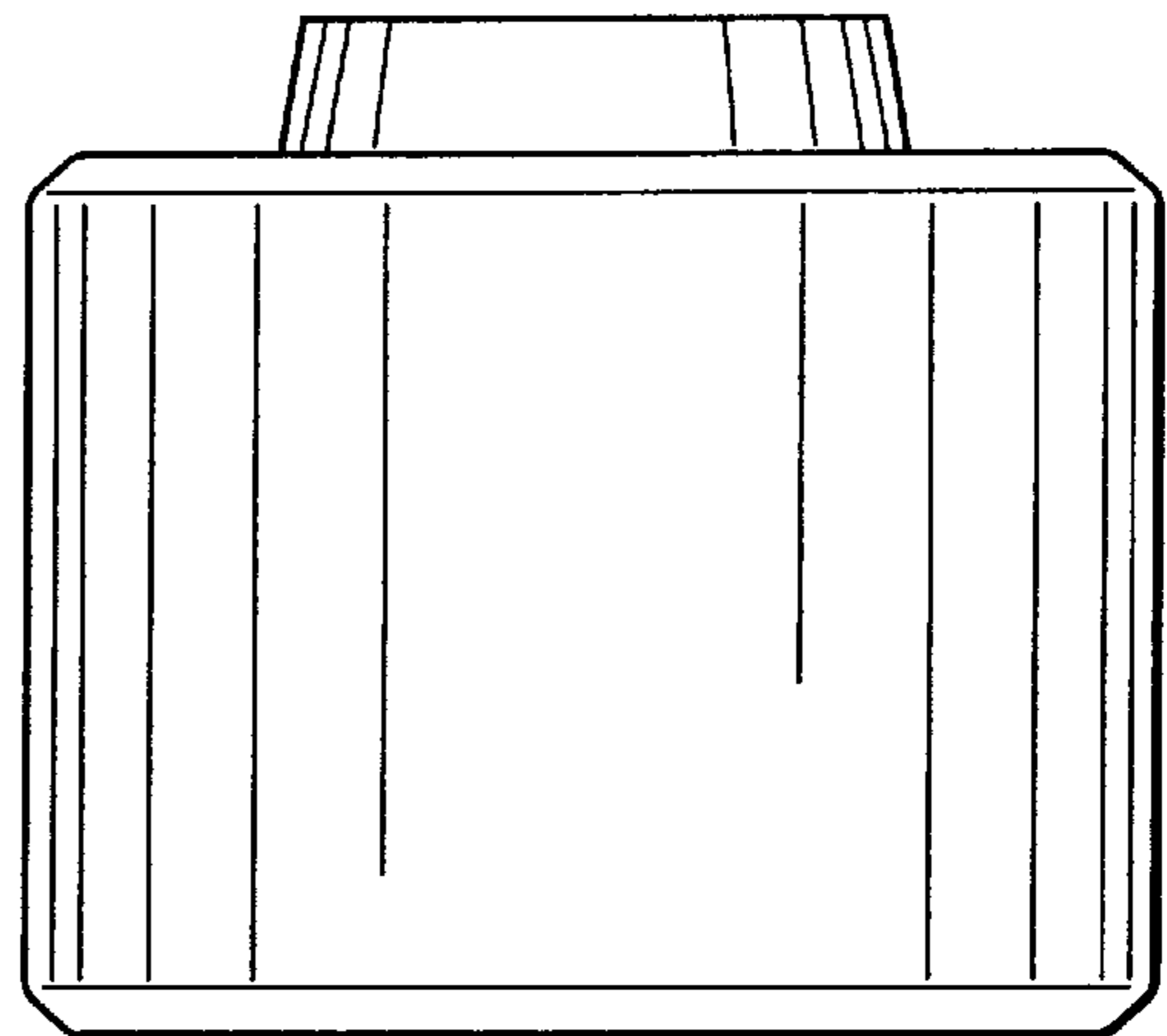


FIG. 6

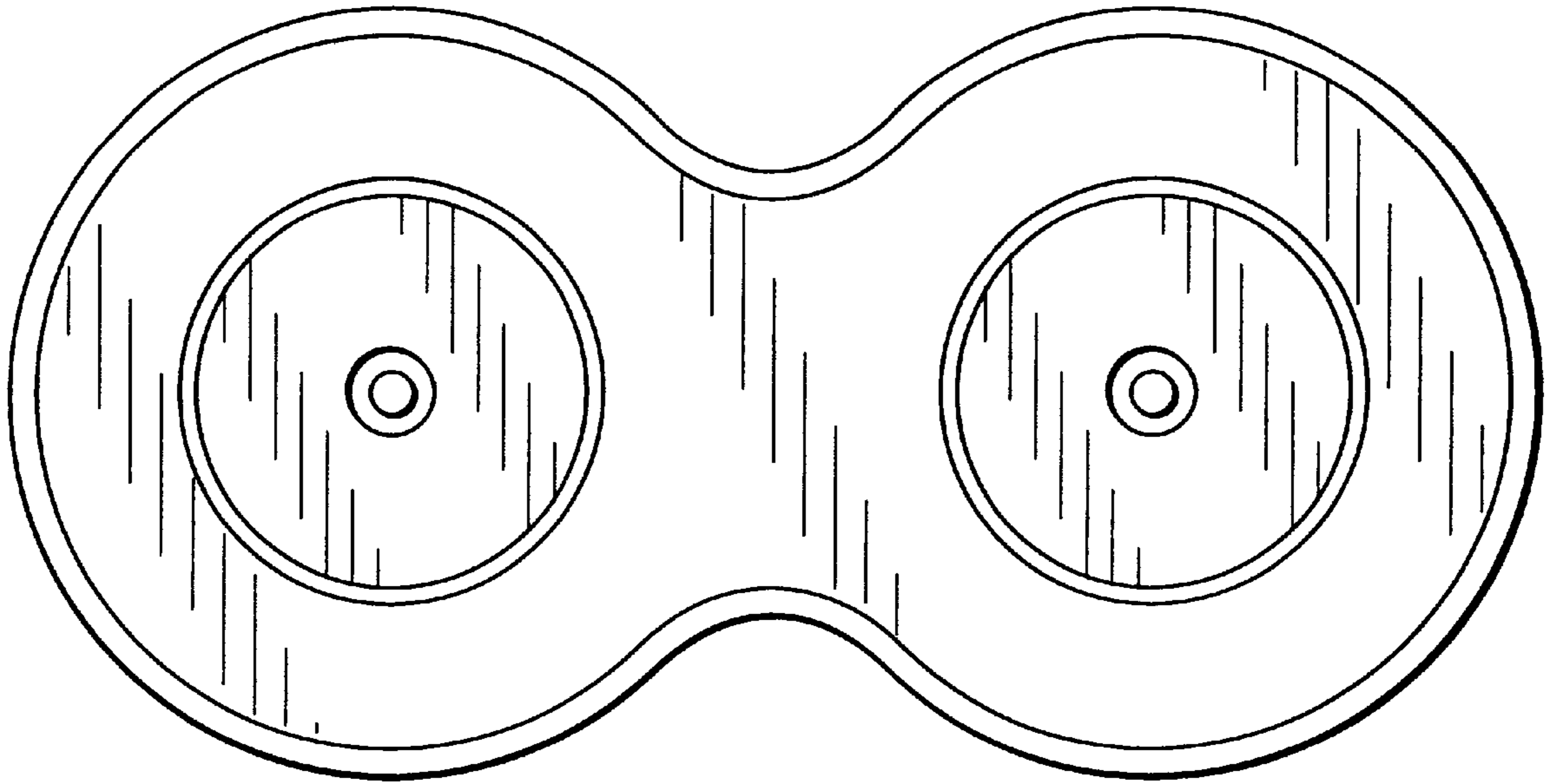


FIG. 7

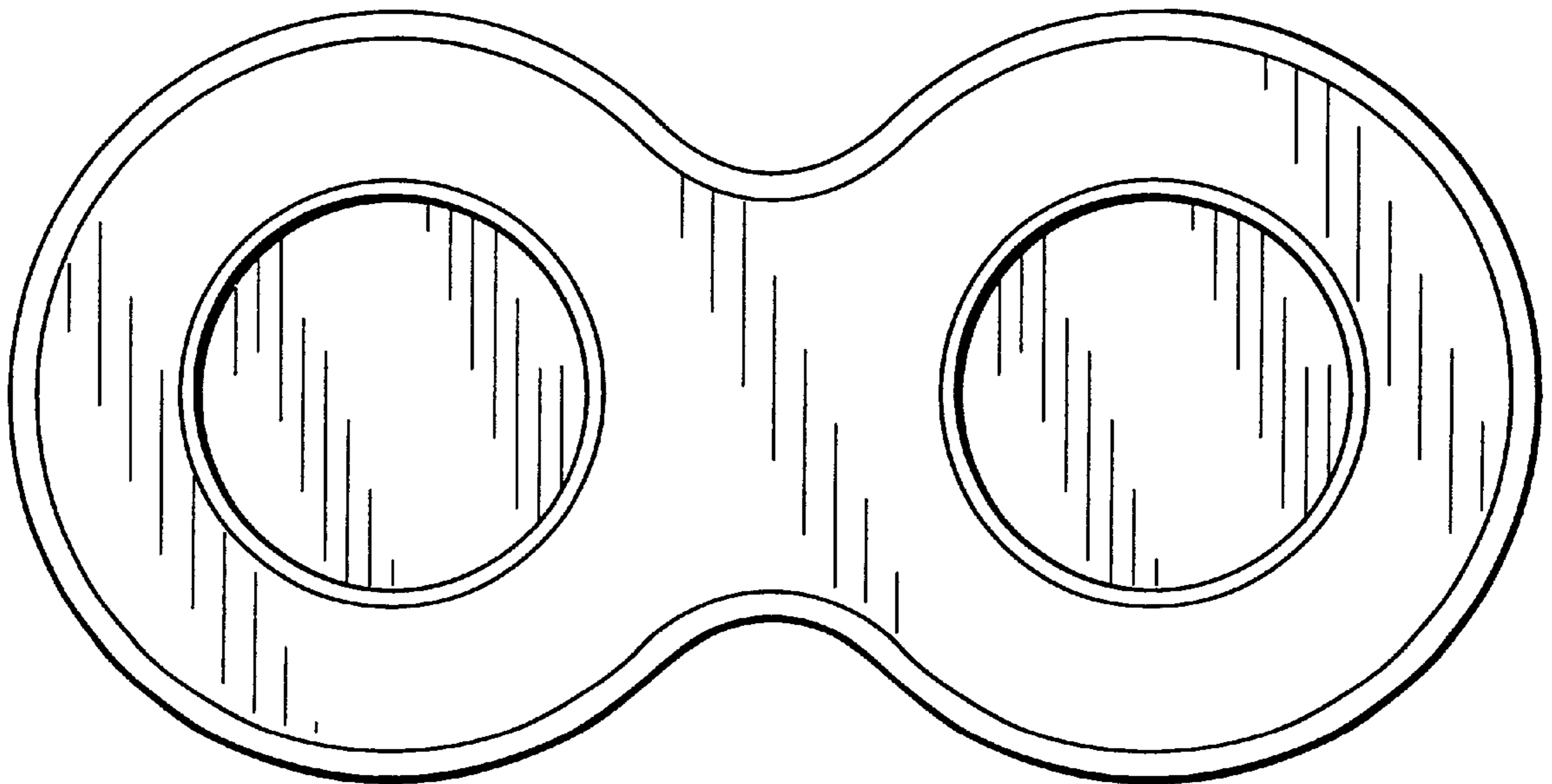


FIG. 8