



US00D478998S

(12) **United States Design Patent**
Funk

(10) **Patent No.:** **US D478,998 S**

(45) **Date of Patent:** **** Aug. 26, 2003**

(54) **SHELTER FRAME**

(75) Inventor: **Otis D. Funk**, 300 Trammel Rd.,
Sherwood, AR (US) 72124

(73) Assignee: **Otis D. Funk**, Sherwood, AR (US)

(**) Term: **14 Years**

(21) Appl. No.: **29/170,019**

(22) Filed: **Oct. 31, 2002**

(51) **LOC (7) Cl.** **25-02**

(52) **U.S. Cl.** **D25/61; D25/121**

(58) **Field of Search** **D25/61; 135/121,**
135/124, 141

(56) **References Cited**

U.S. PATENT DOCUMENTS

5,638,851 A * 6/1997 Baldwin 135/124
D430,306 S * 8/2000 Goldwitz D25/61

* cited by examiner

Primary Examiner—Doris Clark

(57) **CLAIM**

The ornamental design for a shelter frame, as shown and described.

DESCRIPTION

FIG. 1 is a isometric view of my new shelter frame showing the new design;

FIG. 2 is a enlarged front one quarter isometric partial view of FIG. 1;

FIG. 3 is a enlarged forward one quarter isometric partial view of FIG. 1;

FIG. 4 is a enlarged rearward one quarter isometric partial view of FIG. 1;

FIG. 5 is a enlarged rear one quarter isometric partial view of FIG. 1;

FIG. 6 is a enlarged front end elevation view of FIG. 1, the opposite end being a mirror image;

FIG. 7 is a enlarged forward partial right side elevation view of FIG. 1, the opposite side being a mirror image;

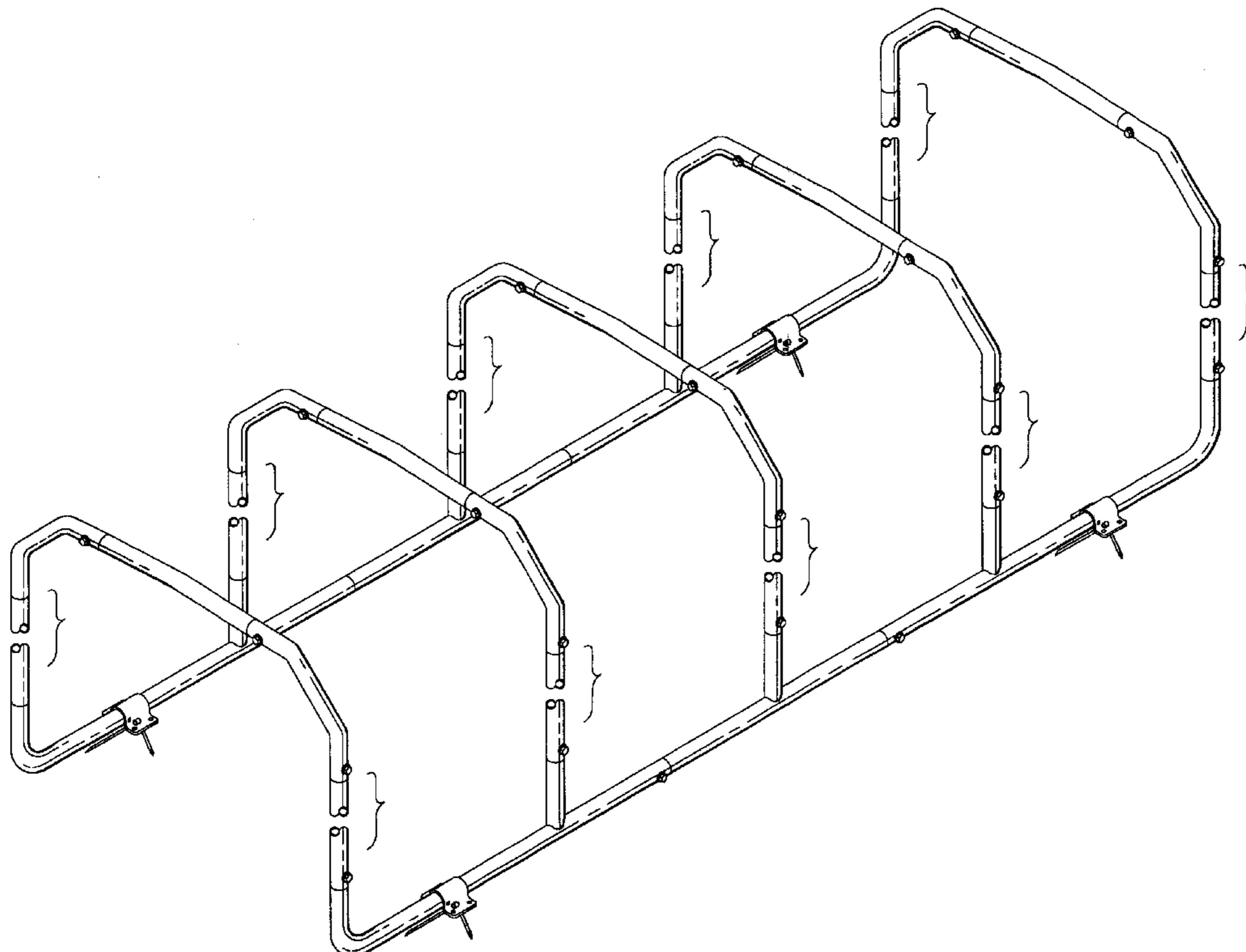
FIG. 8 is a enlarged rearward partial right side elevation view of FIG. 1, the opposite side being a mirror image;

FIG. 9 is a enlarged forward partial top plan isometric view of FIG. 1; and,

FIG. 10 is a enlarged rearward partial top plan isometric view of FIG. 1.

The portions that would indicate height relationship in FIGS. 1–8 are shown fragmented to show indeterminateness in height.

1 Claim, 10 Drawing Sheets



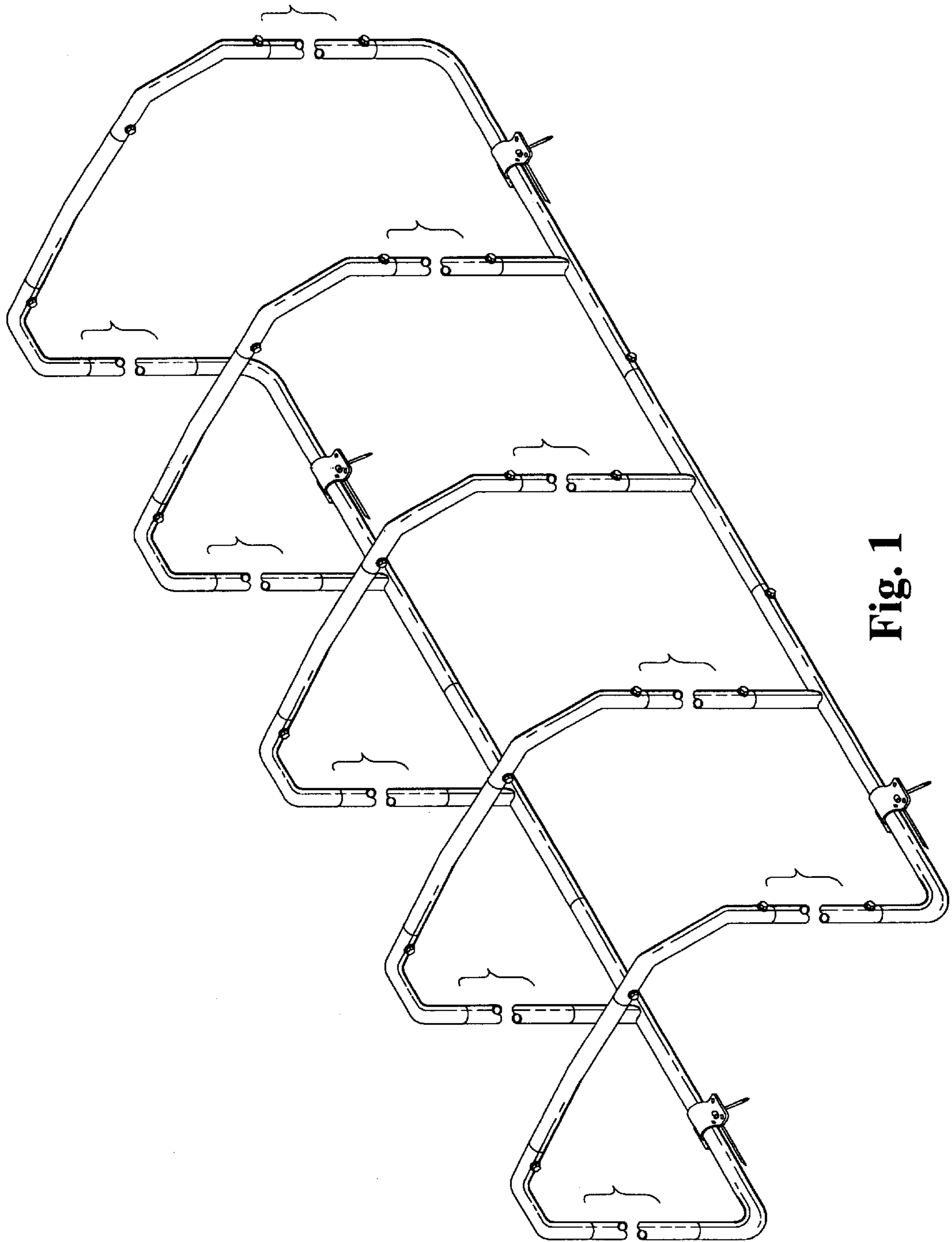


Fig. 1

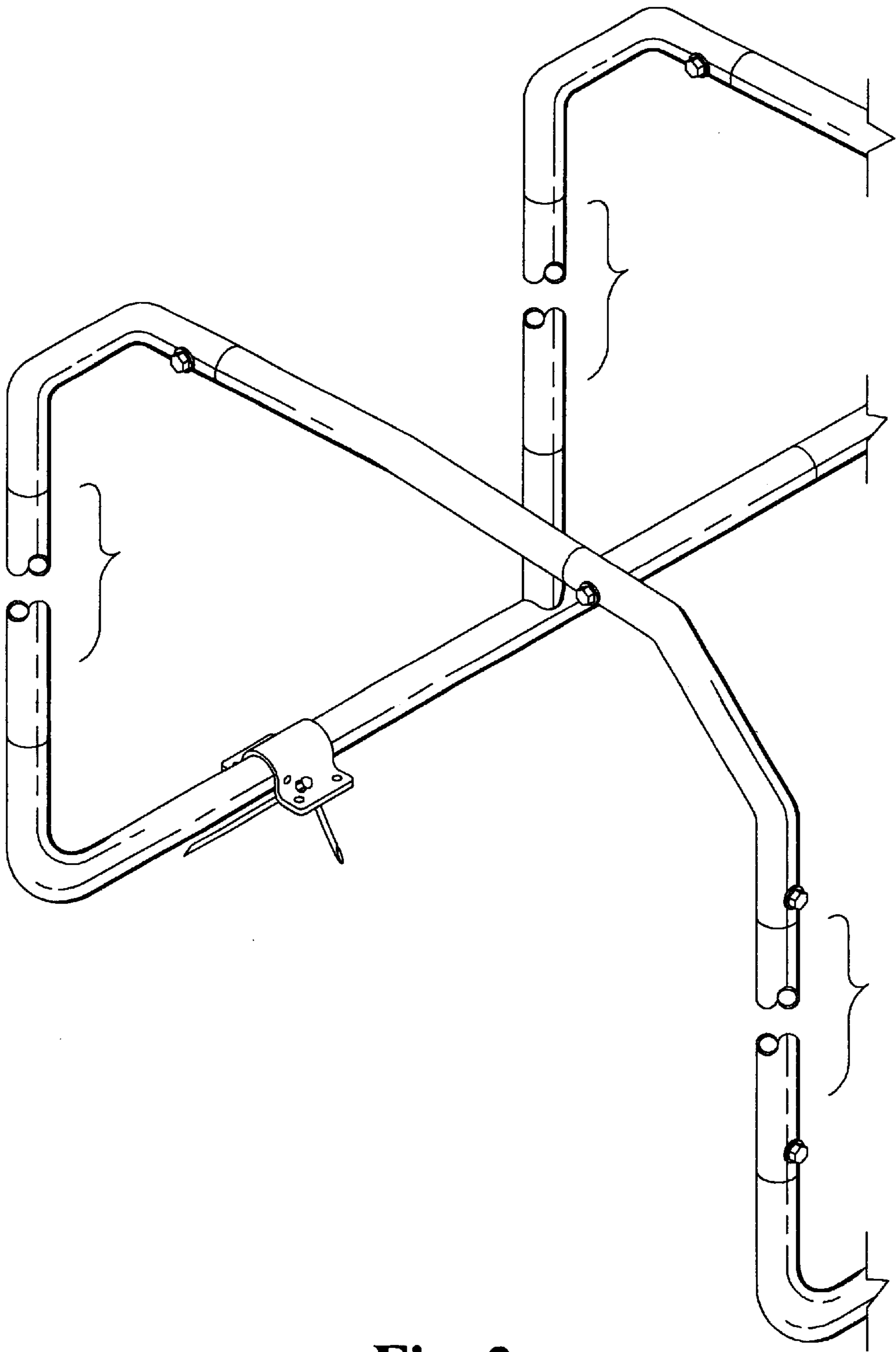


Fig. 2

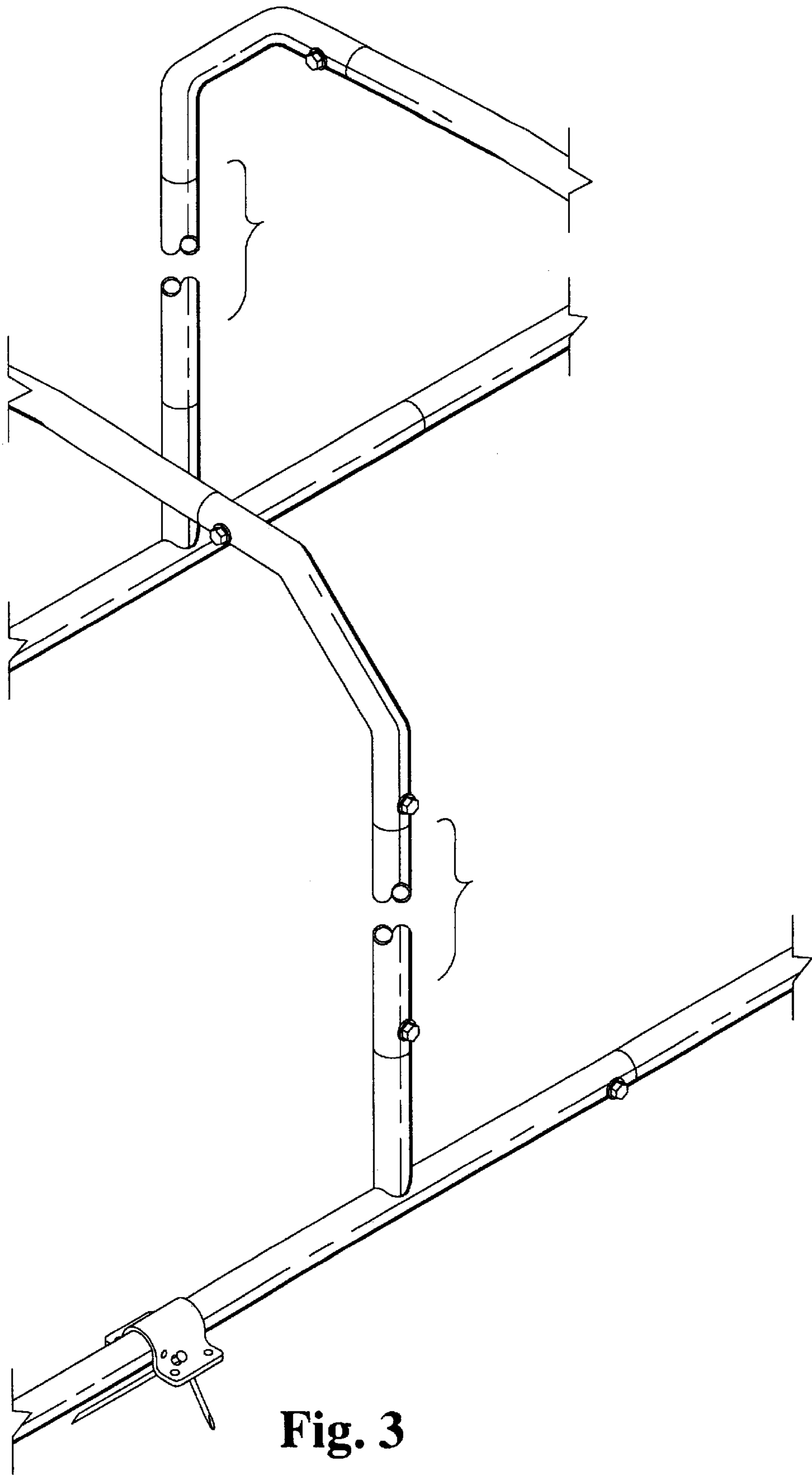


Fig. 3

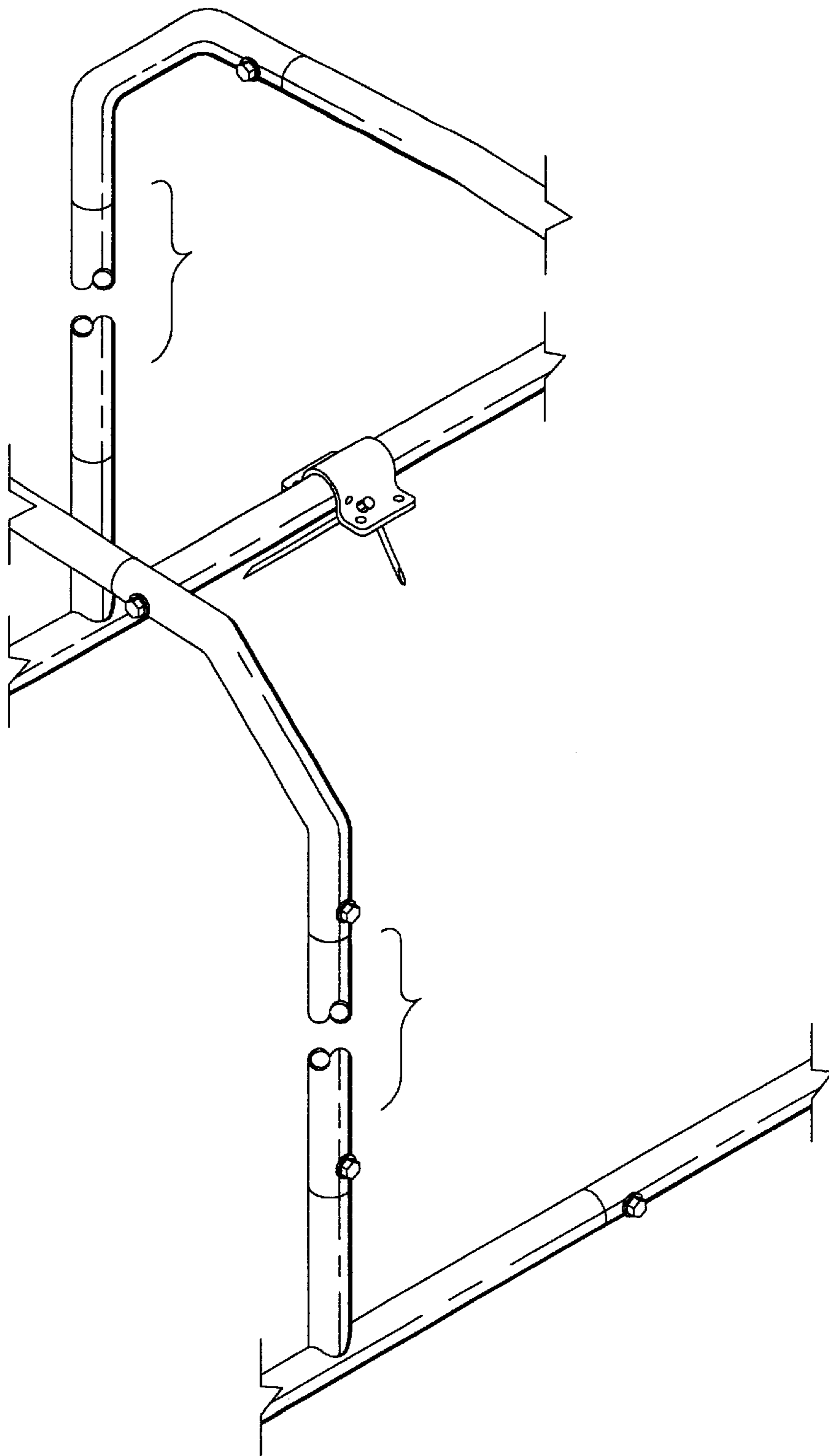


Fig. 4

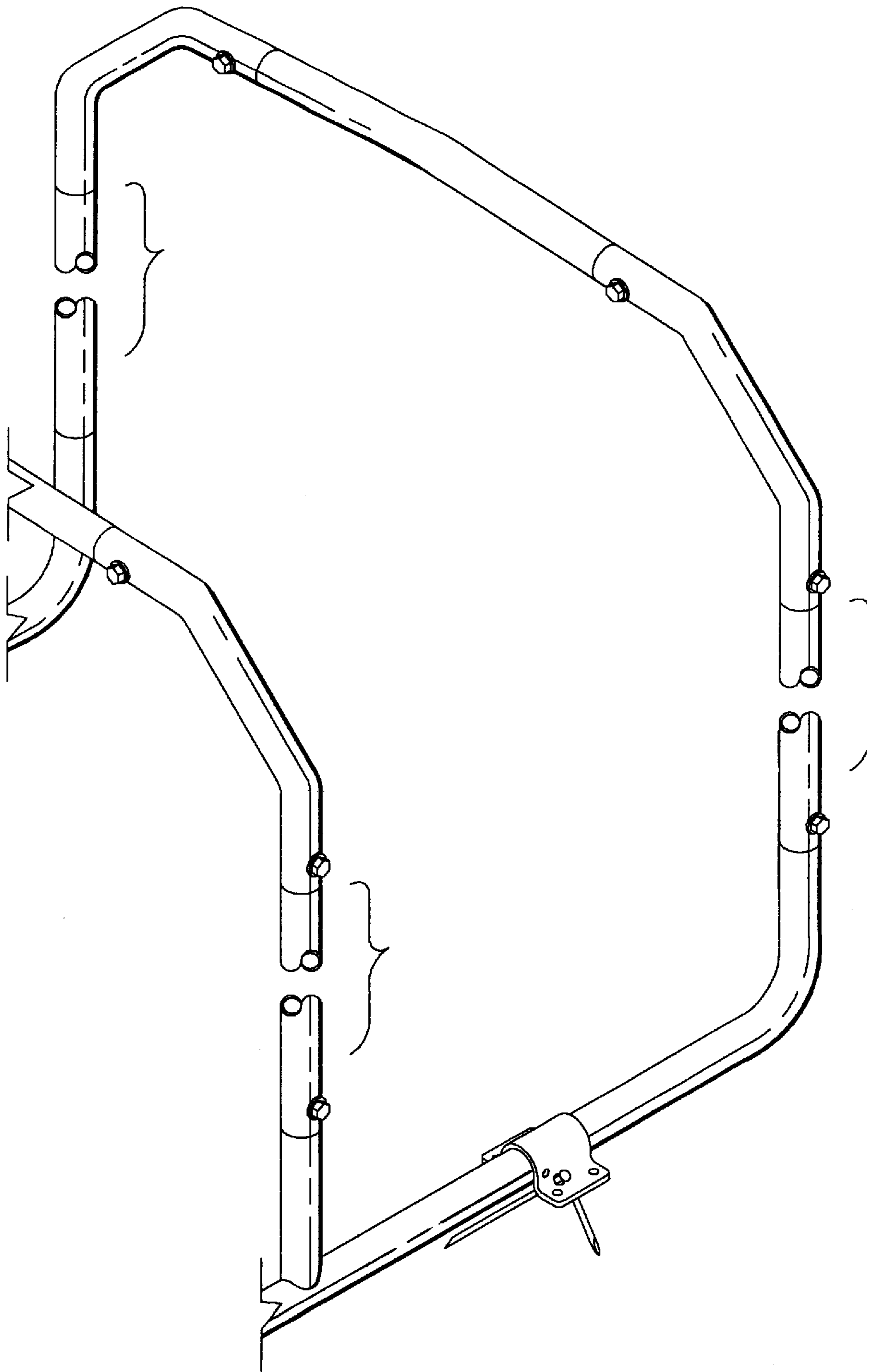


Fig. 5

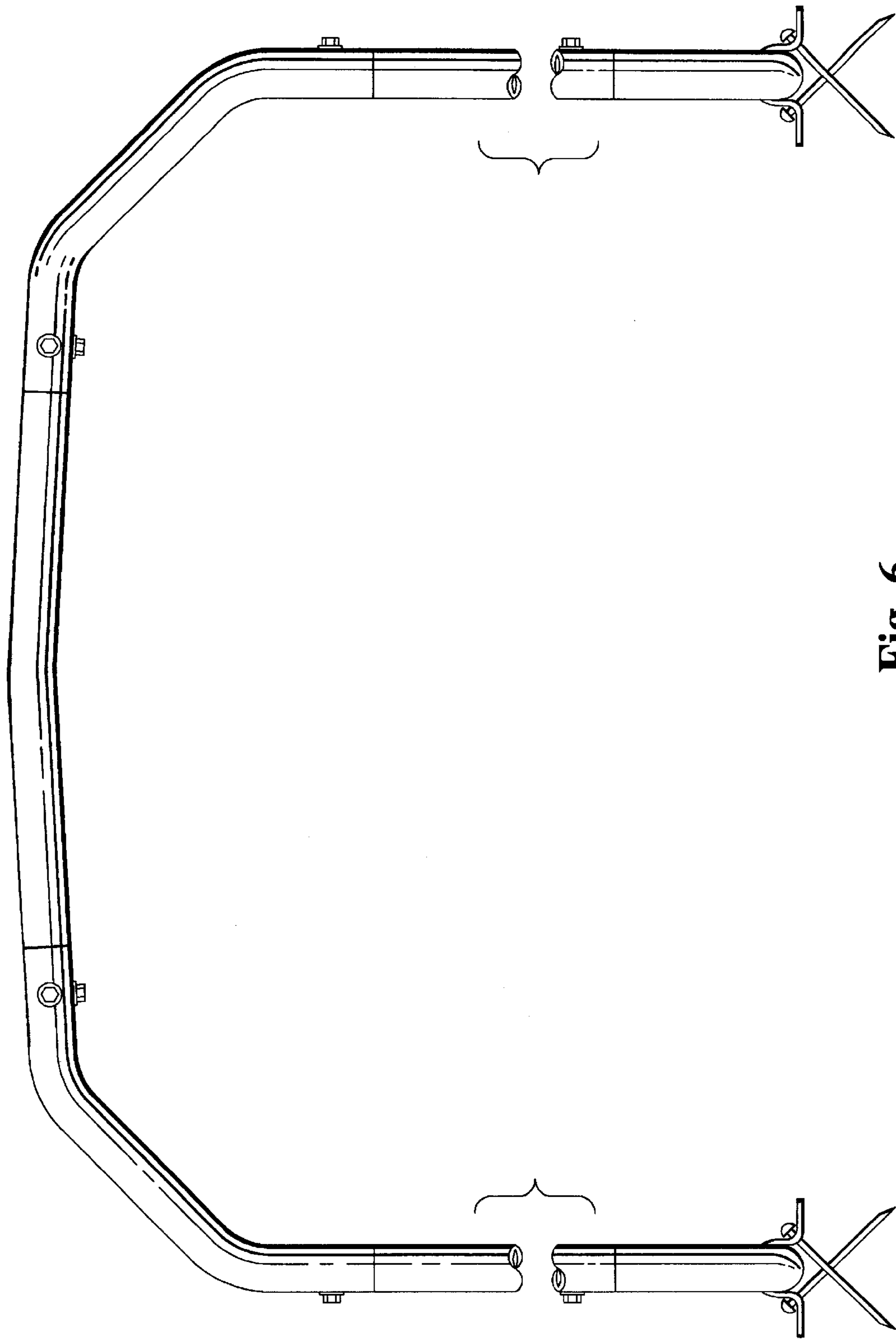


Fig. 6

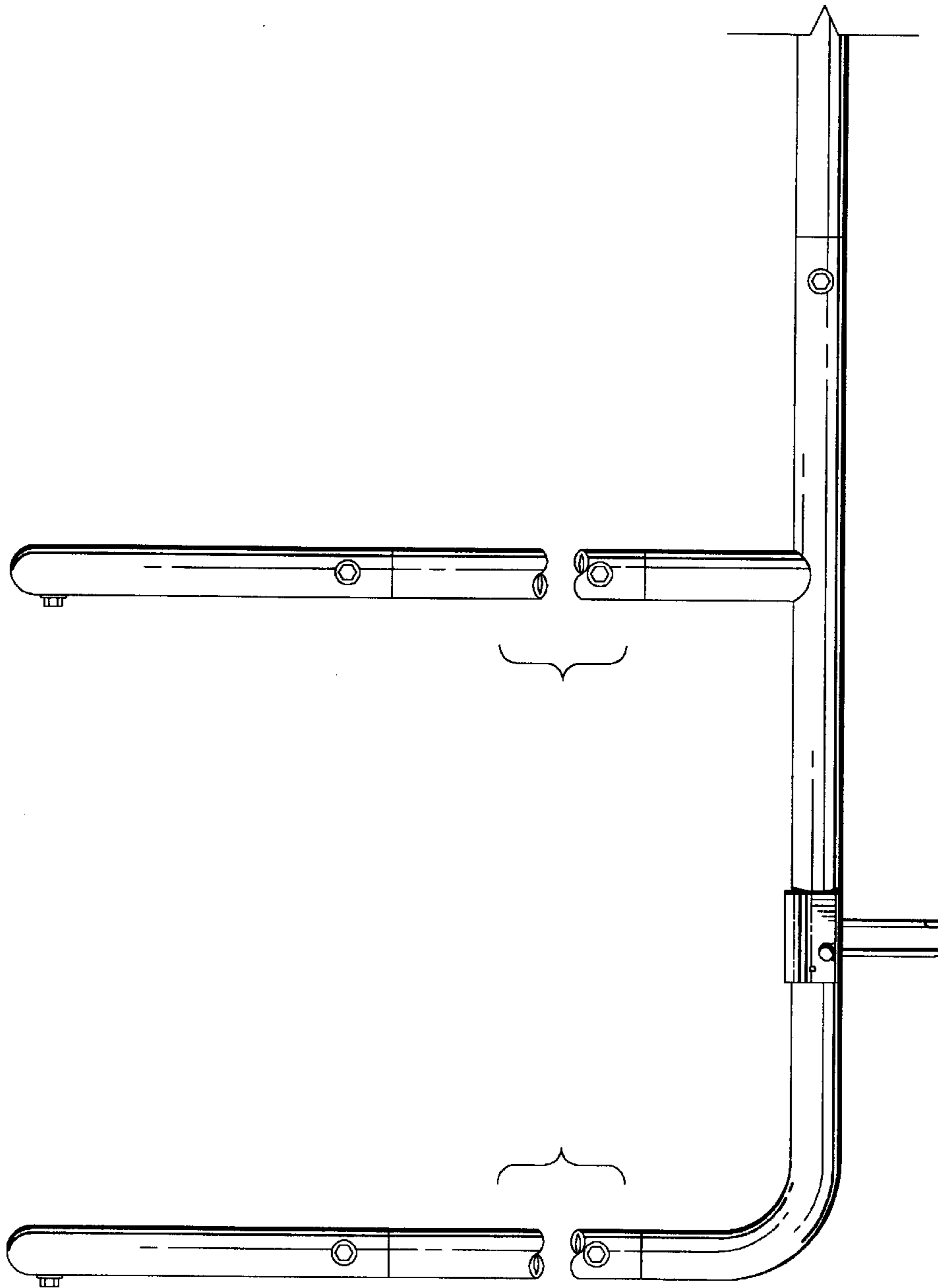


Fig. 7

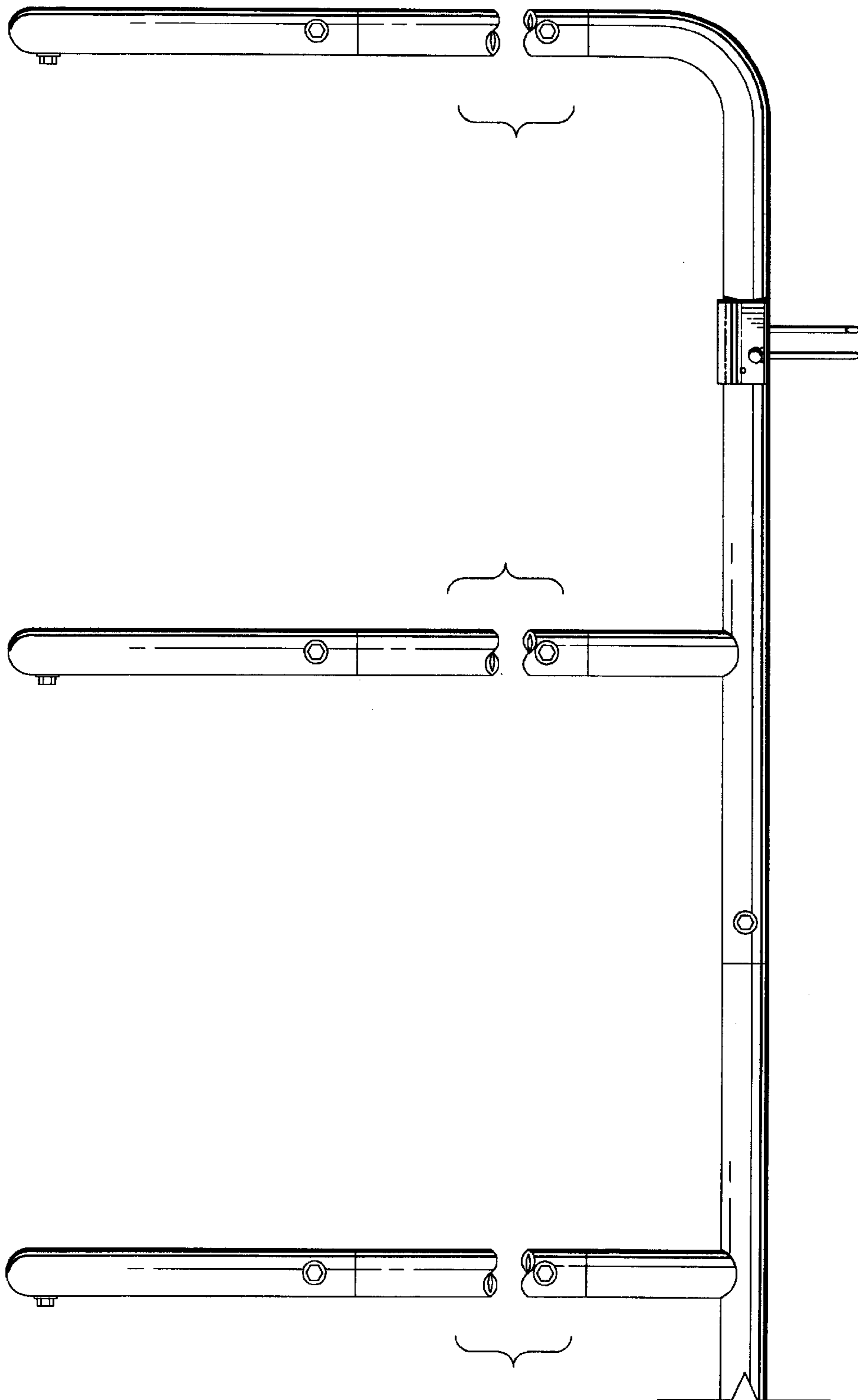


Fig. 8

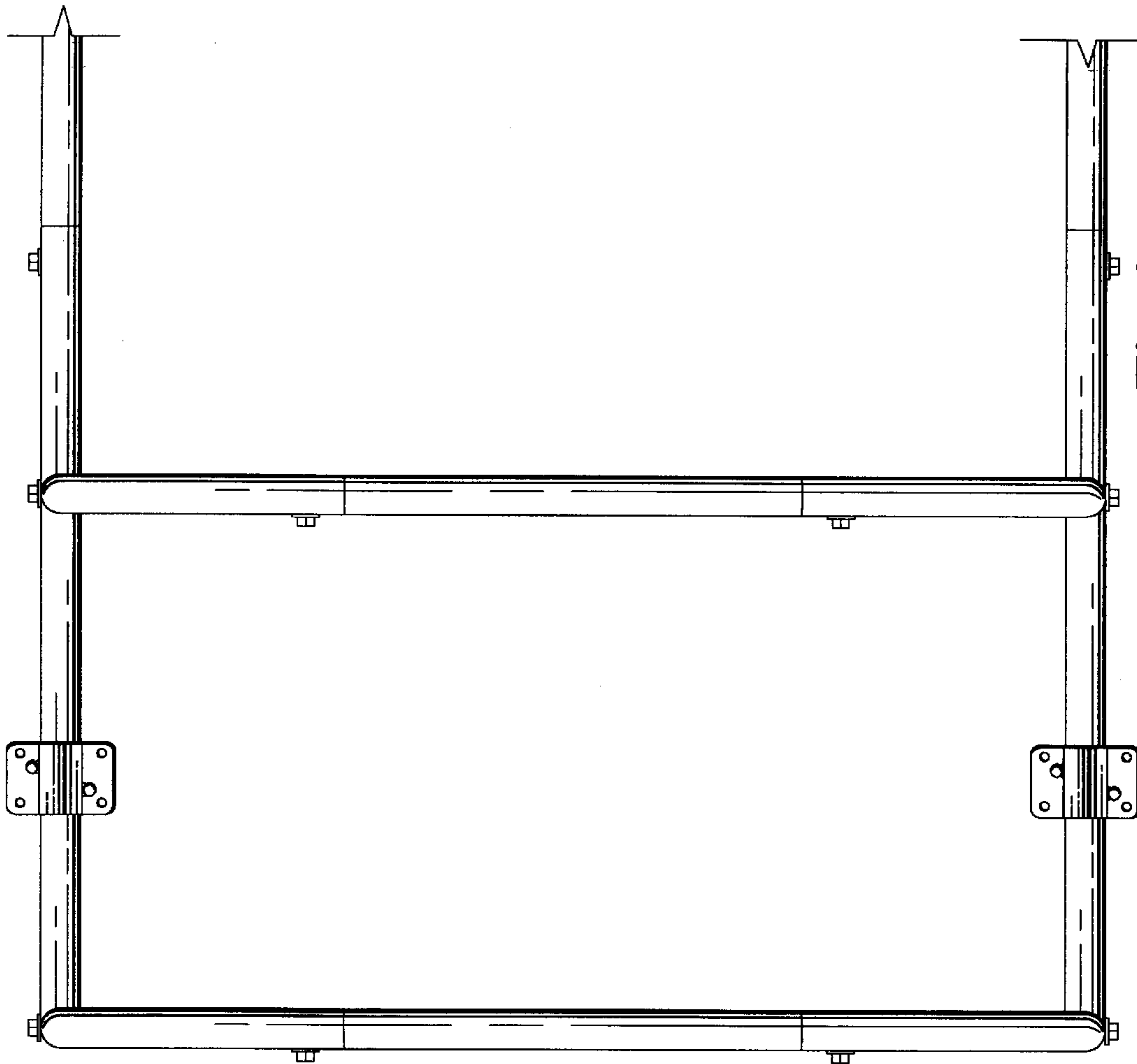


Fig. 9

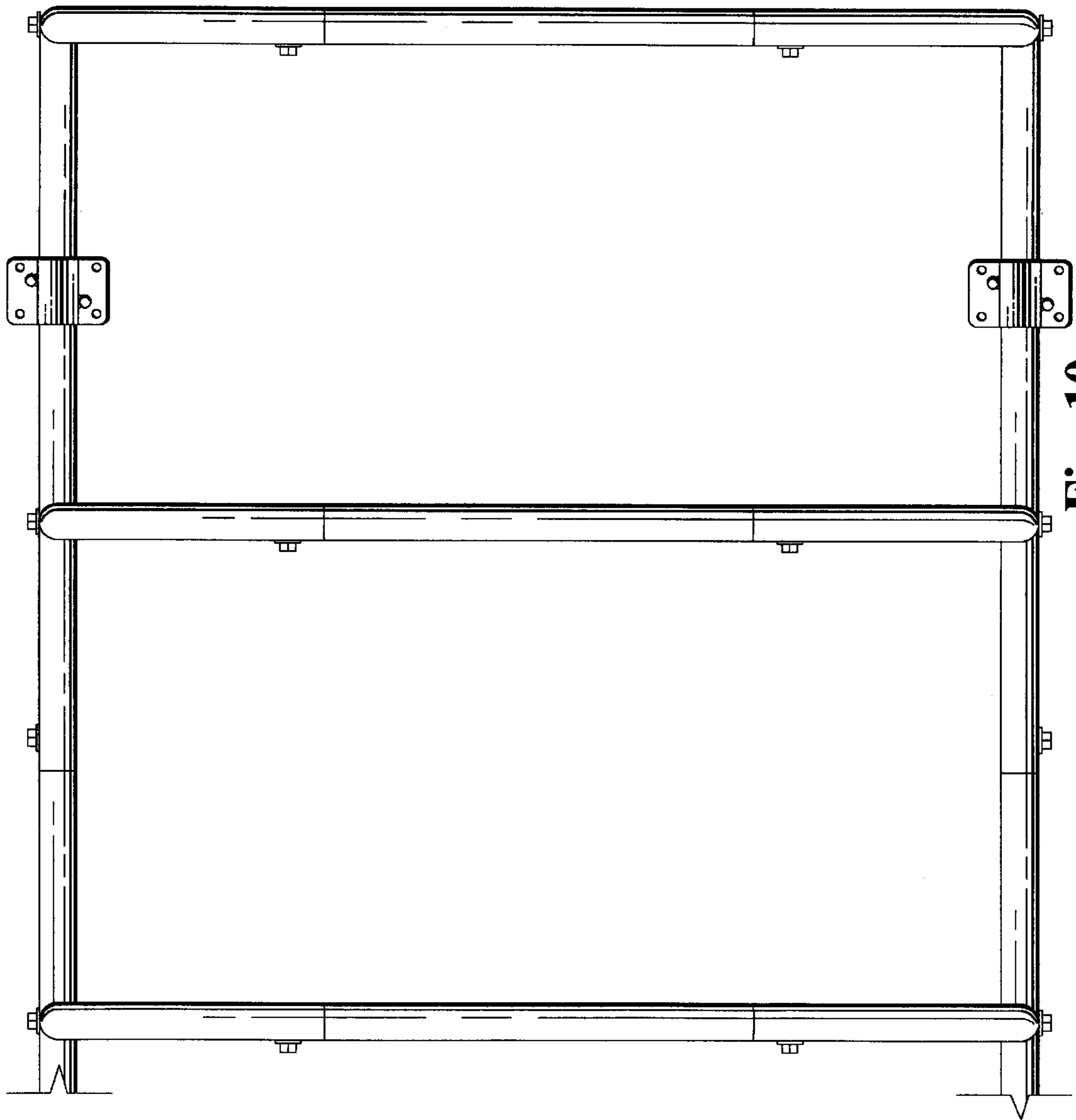


Fig. 10