



US00D478997S

(12) **United States Design Patent**  
**Viner**

(10) **Patent No.:** **US D478,997 S**

(45) **Date of Patent:** **\*\* Aug. 26, 2003**

(54) **ACCUPRESSURE FOOT MASSAGER**

(76) **Inventor:** **Sam I. Viner**, 8033 Sunset Blvd., Suite 2659, Los Angeles, CA (US) 90046

(\*\*) **Term:** **14 Years**

(21) **Appl. No.:** **29/162,456**

(22) **Filed:** **Jun. 14, 2002**

(51) **LOC (7) Cl.** ..... **28-03**

(52) **U.S. Cl.** ..... **D24/212**

(58) **Field of Search** ..... D24/200, 212;  
601/27, 28, 29, 32

(56) **References Cited**

**U.S. PATENT DOCUMENTS**

D242,826 S	*	12/1976	Posh et al. ....	D24/212
D253,967 S	*	1/1980	Miyadai ....	D24/212
D257,883 S	*	1/1981	Holmberg ....	D24/212
D393,720 S	*	4/1998	Chien ....	D24/212
6,056,709 A	*	5/2000	Hashimoto ....	601/127

\* cited by examiner

*Primary Examiner*—Stella Reid

(74) *Attorney, Agent, or Firm*—Norton R. Townsley; Belasco Jacobs & Townsley, LLP

(57) **CLAIM**

I claim the ornamental design for an accupressure foot massager, as shown and described.

**DESCRIPTION**

FIG. 1 is a front perspective view of an accupressure foot massager, showing my new design;

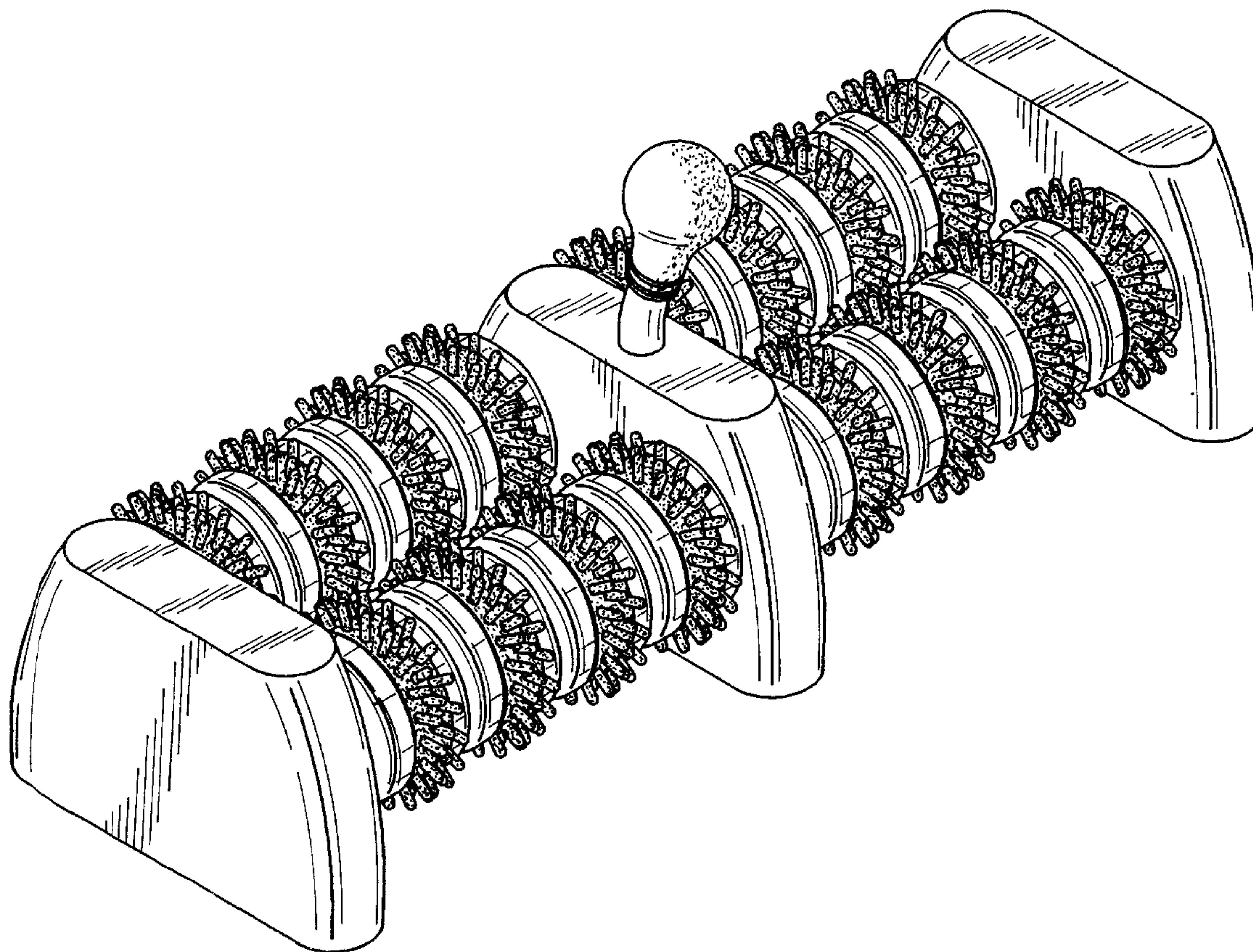
FIG. 2 is a side view thereof, the opposite side view being a mirror image;

FIG. 3 is a rear view thereof;

FIG. 4 is a bottom view thereof; and,

FIG. 5 is a front perspective view of an alternate embodiment of the accupressure foot massager, showing my new design the only difference residing in the number of protruding knobs, with all other sides being identical to that shown in FIGS. 2–4.

**1 Claim, 3 Drawing Sheets**



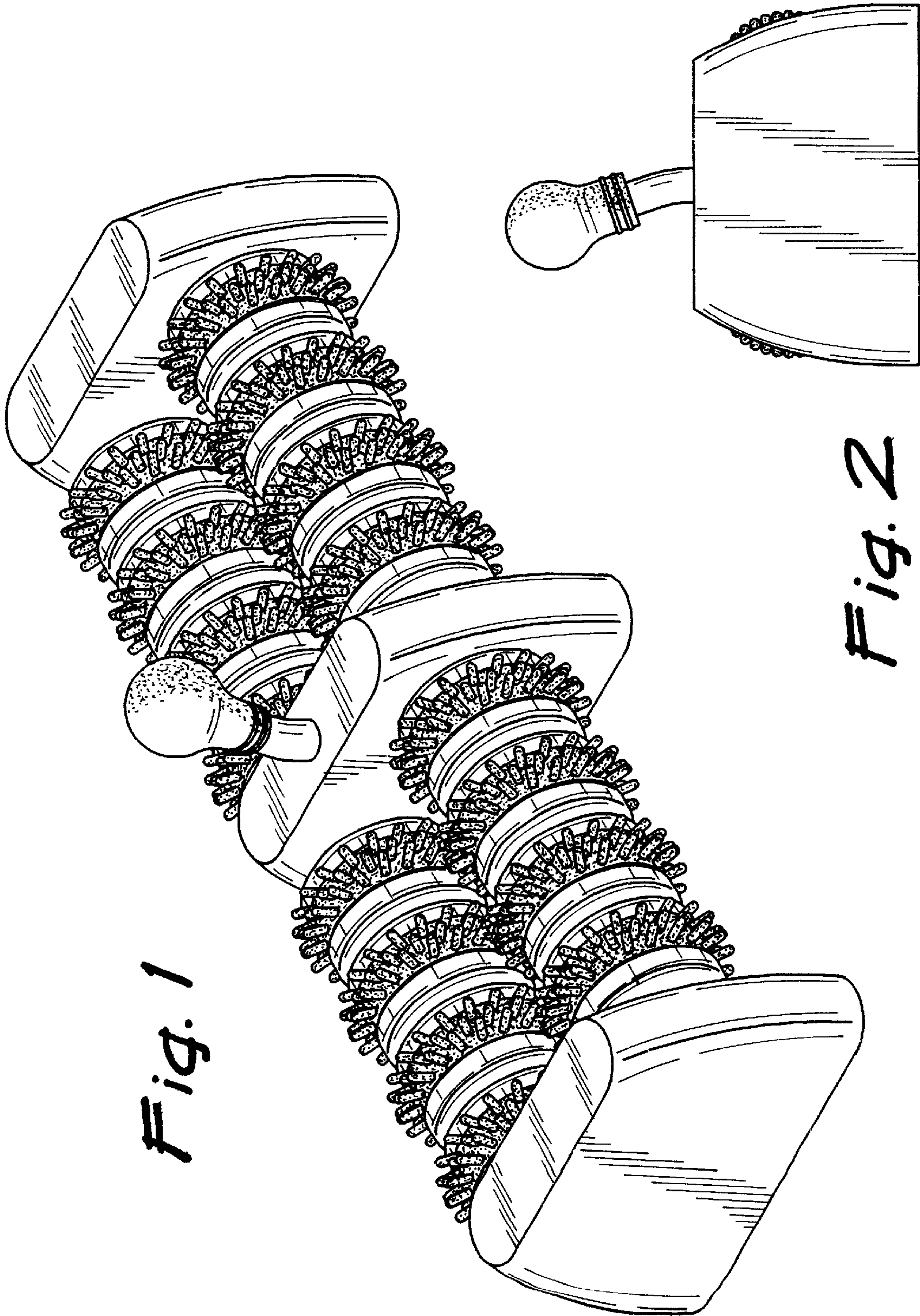
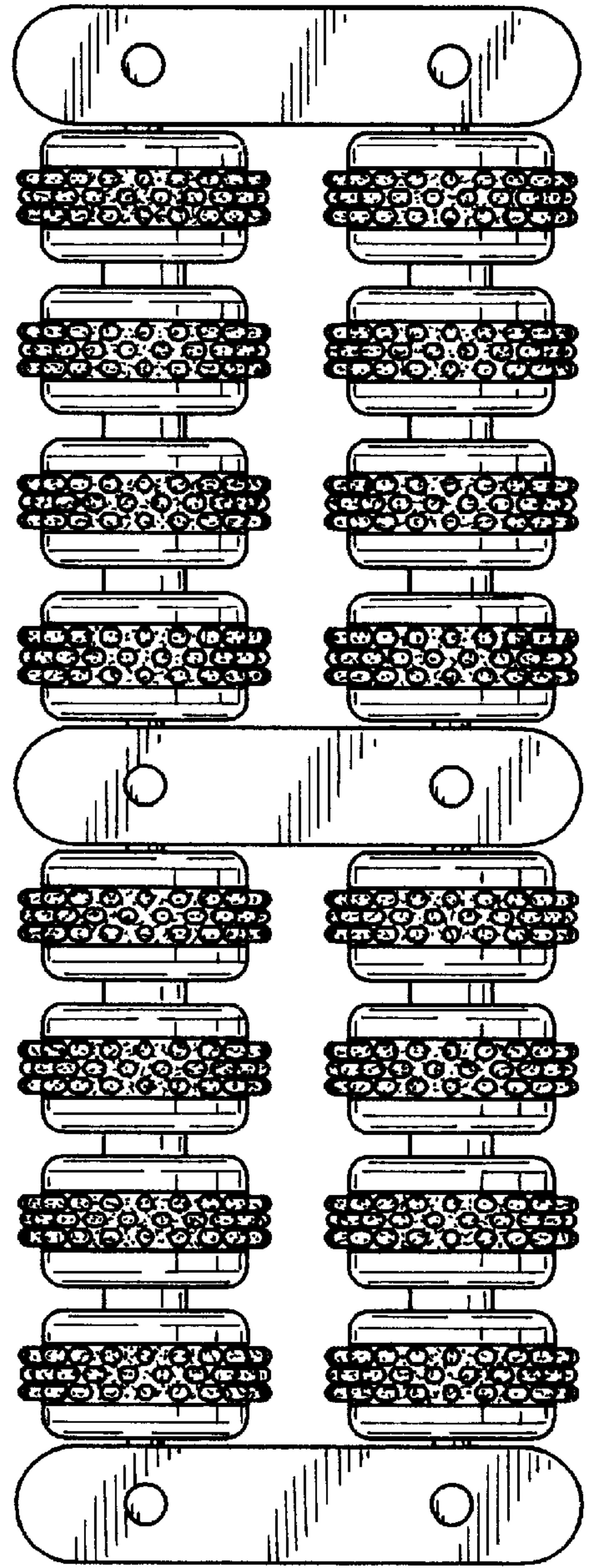
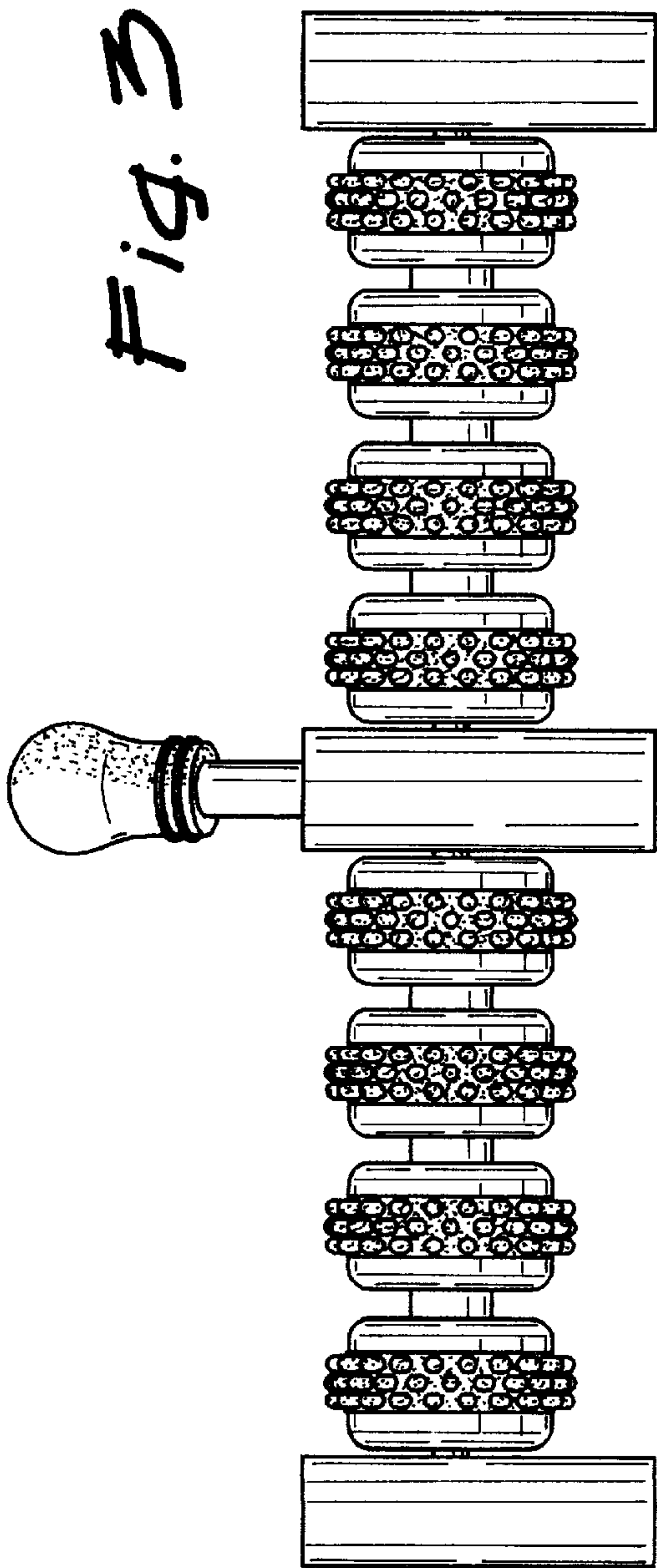


Fig. 1

Fig. 2





*Fig. 4*

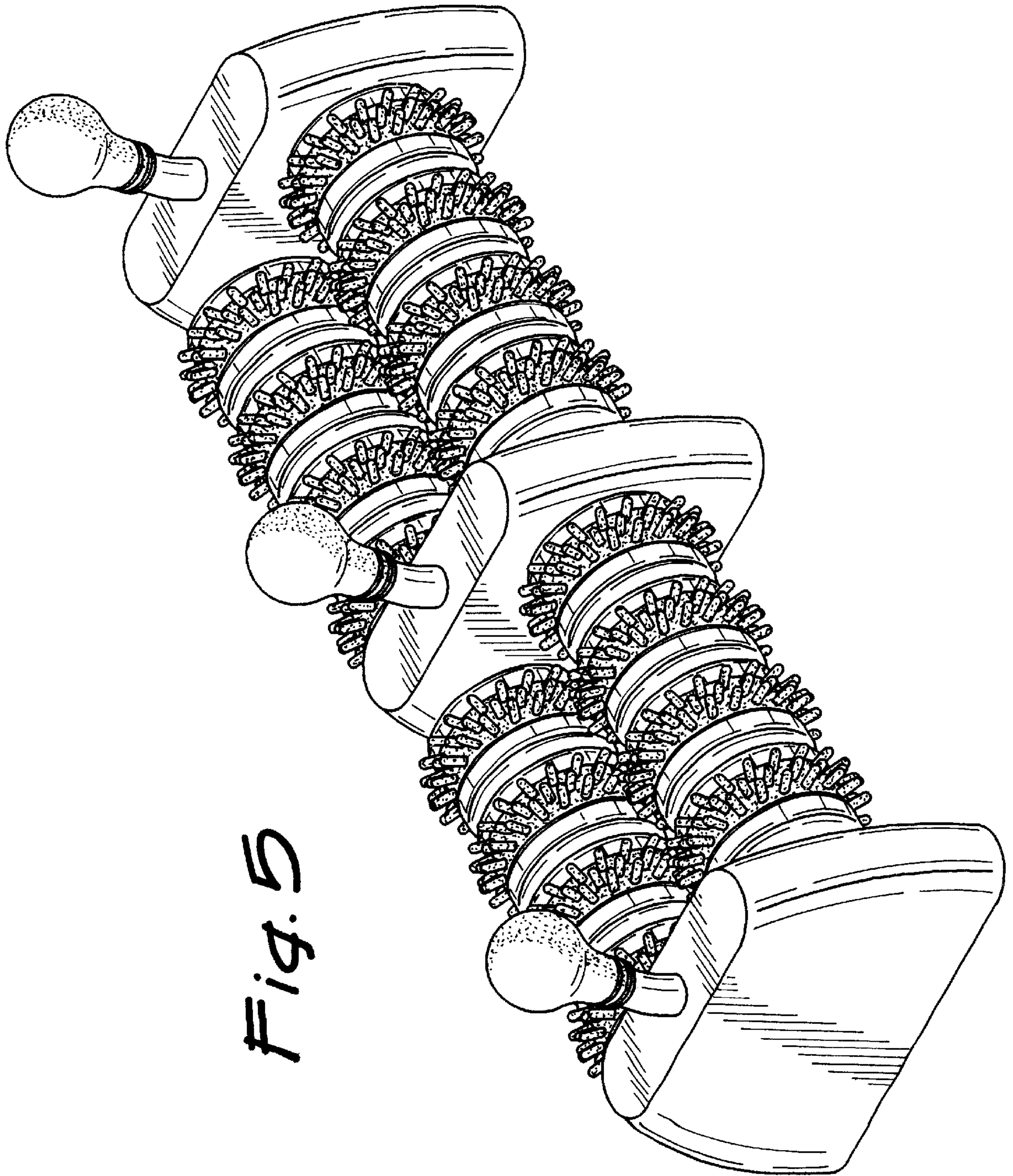


Fig. 5