



US00D478994S

(12) **United States Design Patent**
Pitzen

(10) **Patent No.:** **US D478,994 S**

(45) **Date of Patent:** **** Aug. 26, 2003**

(54) **ELECTRODE FOR STIMULATING THE SKIN**

6,162,219 A * 12/2000 Nilsson et al. 606/41
6,529,777 B1 * 3/2003 Holmstrom et al. 607/119

(75) Inventor: **Sylvester A. Pitzen**, Phoenix, AZ (US)

* cited by examiner

(73) Assignee: **Sono Therapy Institute, Inc.**, Phoenix, AZ (US)

Primary Examiner—Stella Reid
(74) *Attorney, Agent, or Firm*—Jordan M. Meschkow;
Lowell W. Gresham; Charlene R. Jacobsen

(**) Term: **14 Years**

(57) **CLAIM**

(21) Appl. No.: **29/149,473**

The ornamental design for an electrode for stimulating the skin, as shown and described.

(22) Filed: **Oct. 10, 2001**

DESCRIPTION

(51) **LOC (7) Cl.** **24-01**

(52) **U.S. Cl.** **D24/200**

(58) **Field of Search** D24/200; 606/41,
606/45, 49; 607/115, 116, 117, 50, 51

FIG. 1 is a perspective view of an electrode for stimulating the skin, showing my new design;
FIG. 2 is a front view thereof;
FIG. 3 is a top plan view thereof;
FIG. 4 is a left side view thereof;
FIG. 5 is a rear view thereof; and,
FIG. 6 is a right side view thereof.

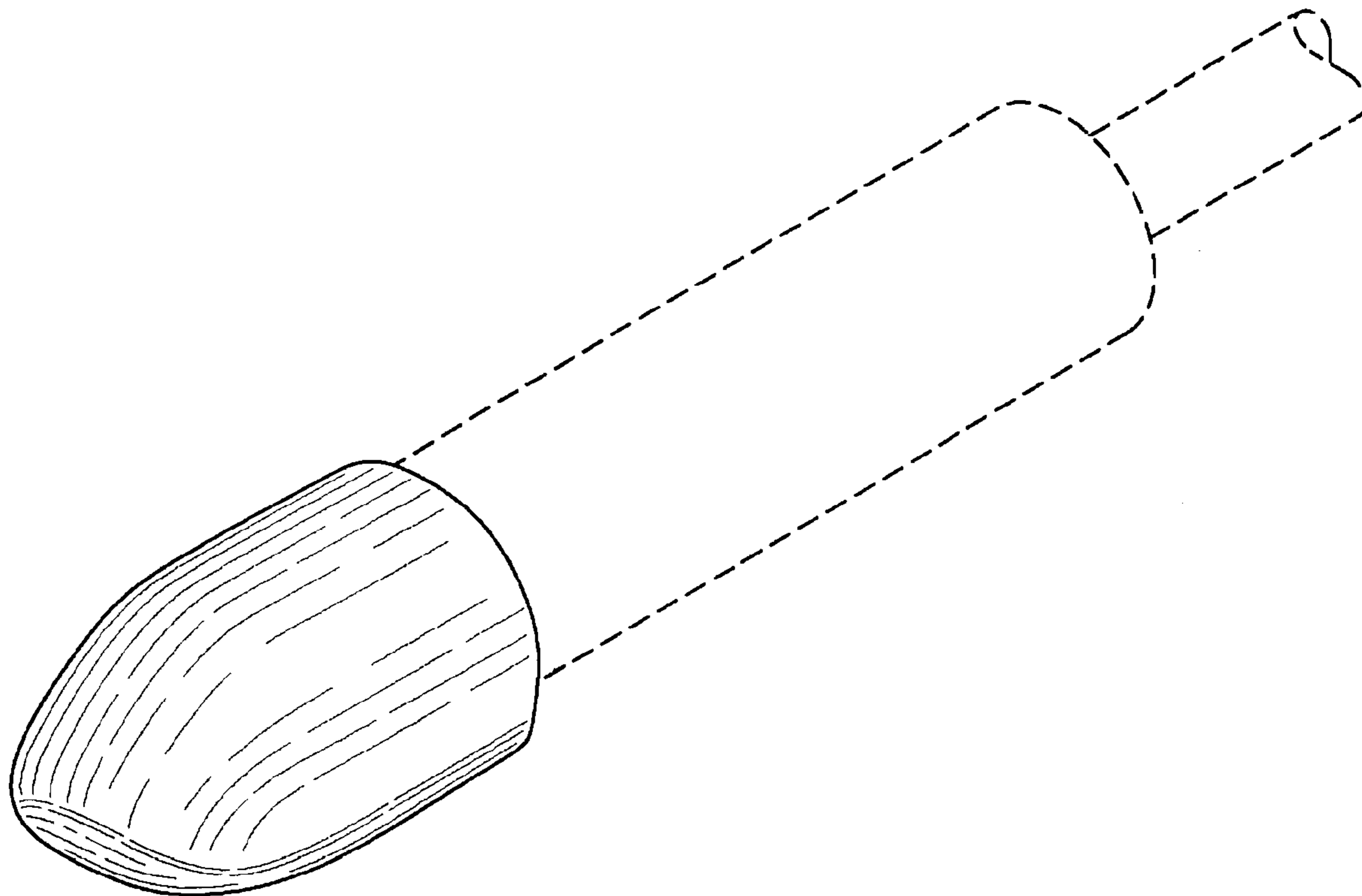
(56) **References Cited**

U.S. PATENT DOCUMENTS

3,532,095 A * 10/1970 Miller et al. 606/45
5,697,966 A * 12/1997 Boutos 607/138
5,875,778 A * 3/1999 Vroegop 607/138
6,038,480 A * 3/2000 Hrdlicka et al. 607/116
6,151,527 A * 11/2000 Boutos 607/138

The broken line showing of the cable and sheath in FIGS. 1, 2 and 4-6 is for illustrative purposes only and forms no part of the claimed design.

1 Claim, 3 Drawing Sheets



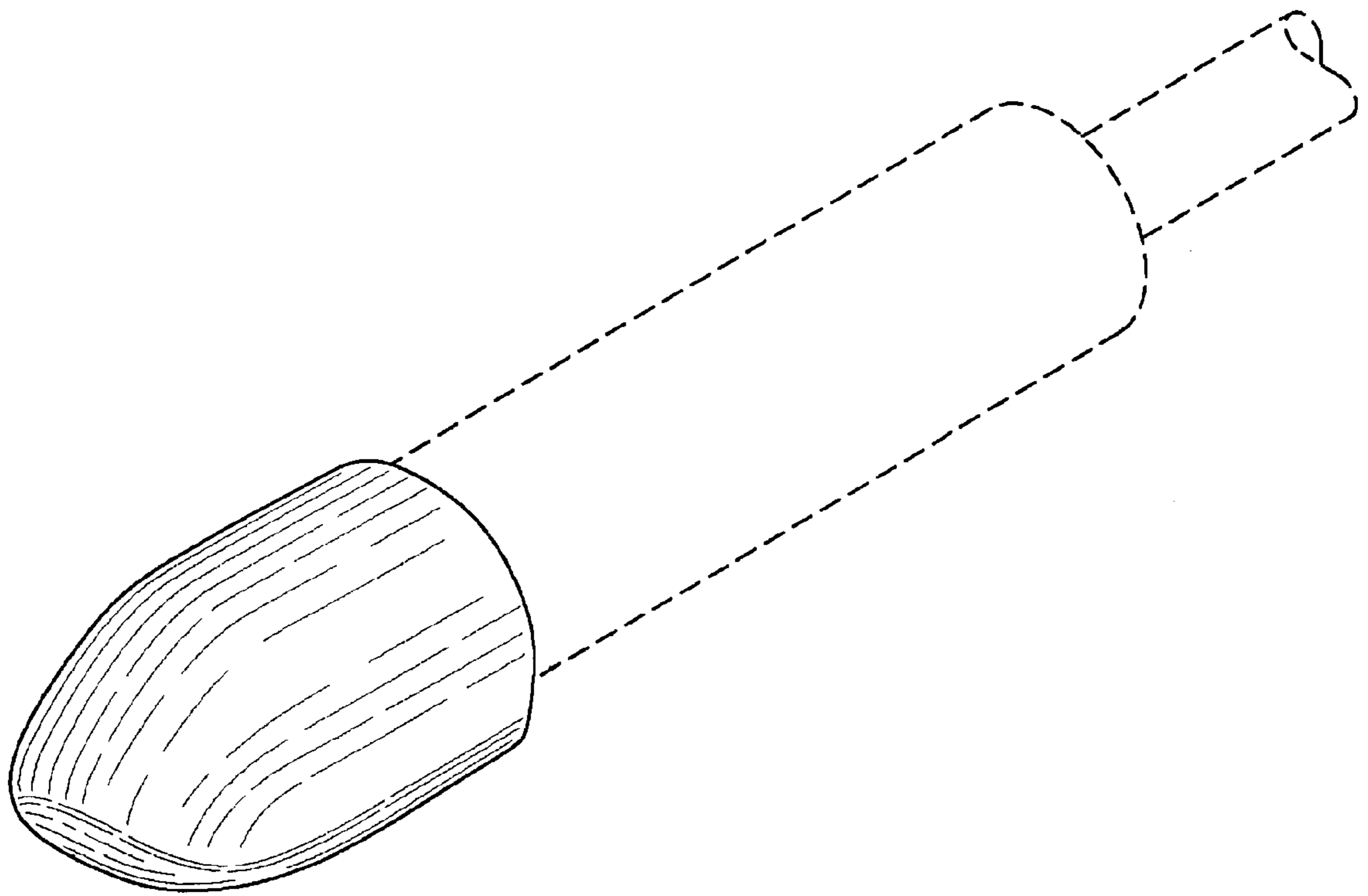


FIG. 1

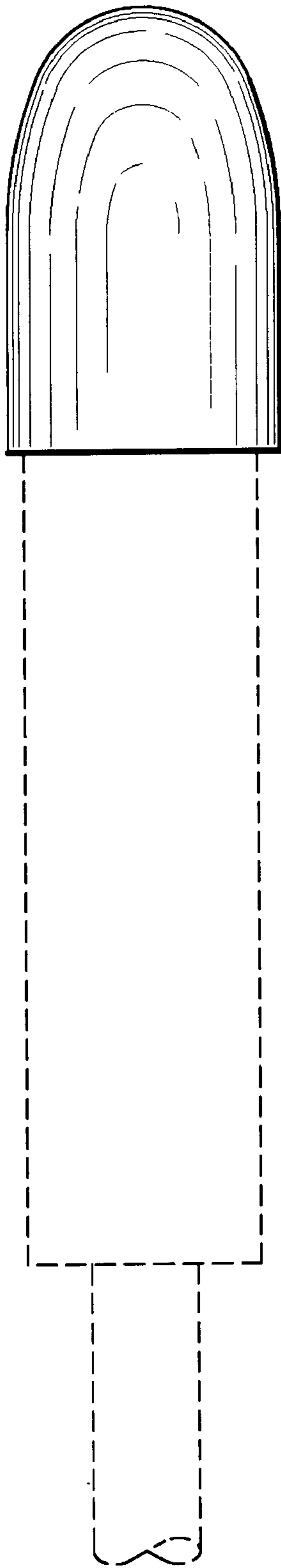


FIG. 2

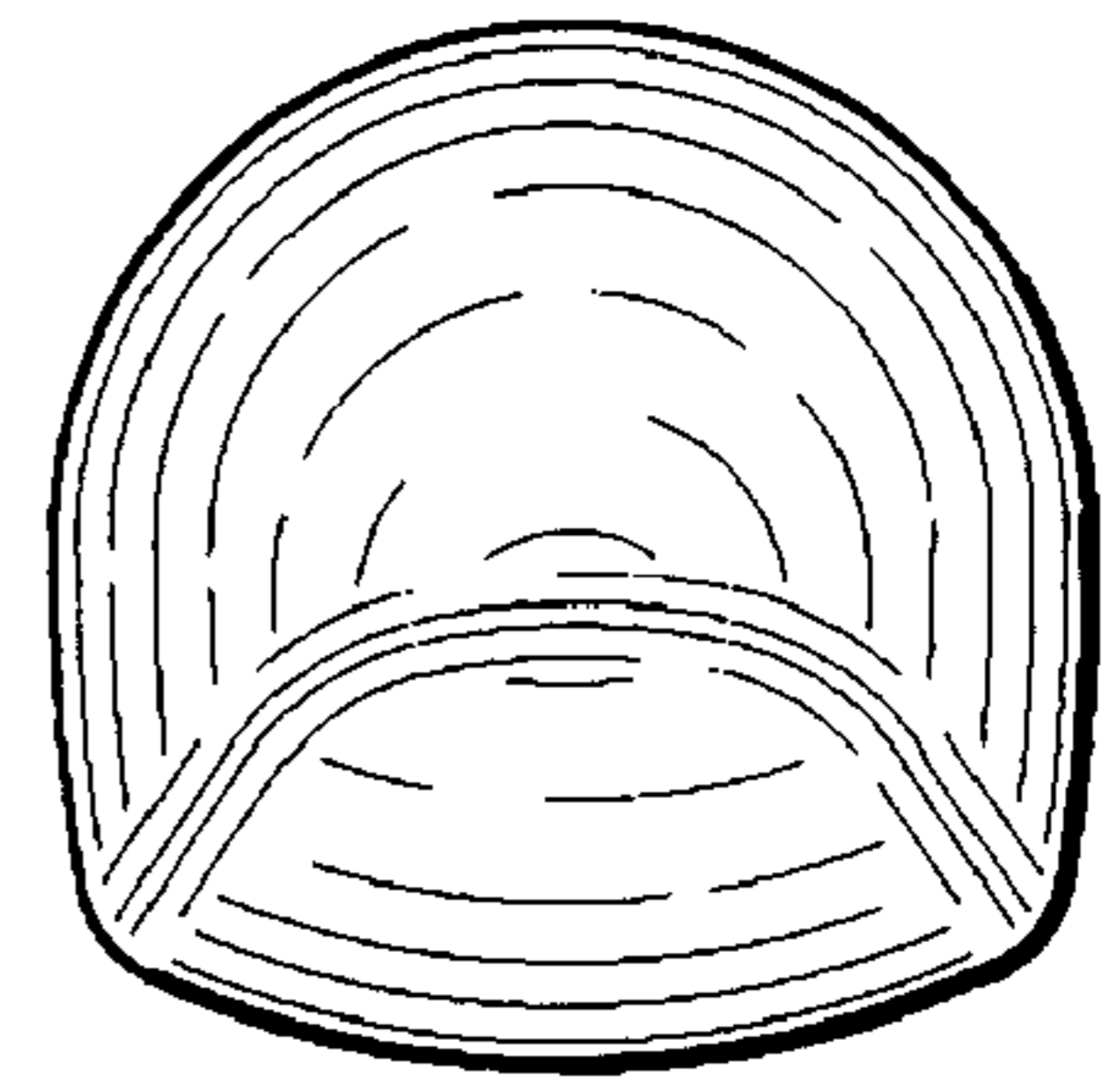


FIG. 3

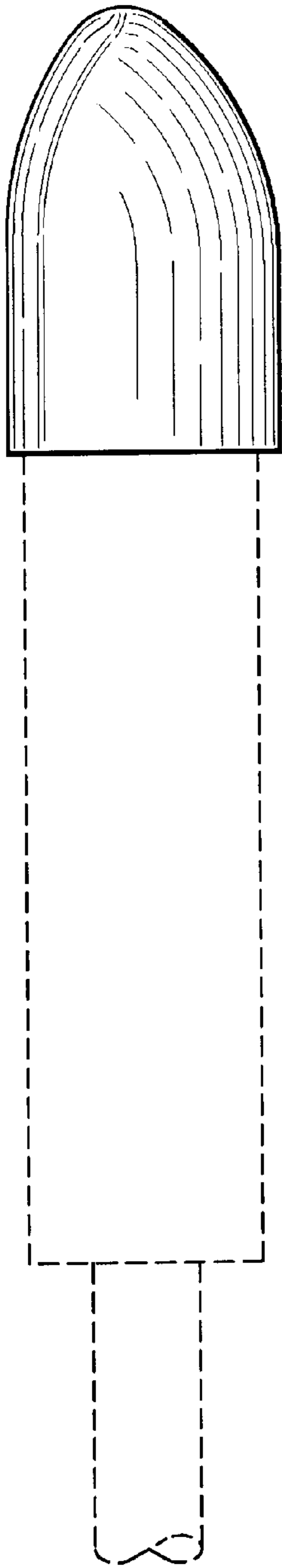


FIG. 4

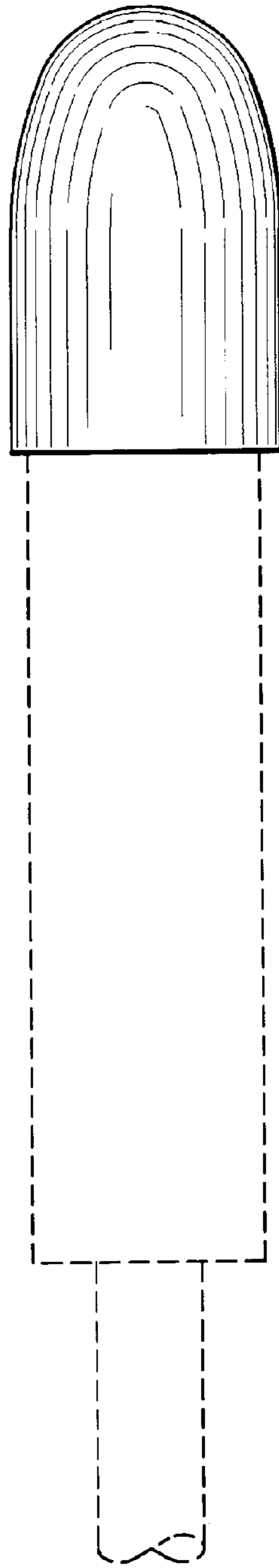


FIG. 5

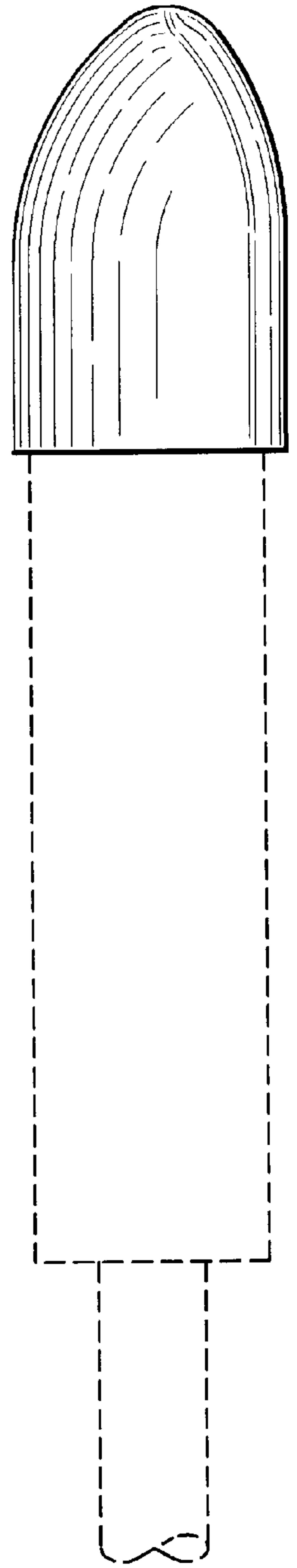


FIG. 6