



US00D478986S

(12) **United States Design Patent**
Johnston et al.

(10) **Patent No.:** **US D478,986 S**

(45) **Date of Patent:** **** Aug. 26, 2003**

(54) **SURGICAL TOOL**

(75) Inventors: **Constance Elaine Johnston**, Eads, TN (US); **Phillip Andrew Ryan**, Memphis, TN (US); **Dickon Isaacs**, Chicago, IL (US); **George Kyaw Soe Maung Aye**, Chicago, IL (US); **Andrew Christopher Burroughs**, Evanston, IL (US); **Benjamin Leo Rush**, Evanston, IL (US); **Jeremiah O'Leary**, Chicago, IL (US)

(73) Assignee: **Gyrus Ent L.L.C.**, Bartlett, TN (US)

(**) Term: **14 Years**

(21) Appl. No.: **29/157,543**

(22) Filed: **Mar. 22, 2002**

(51) **LOC (7) Cl.** **24-02**

(52) **U.S. Cl.** **D24/133; D24/146**

(58) **Field of Search** D24/133, 146, D24/144, 147, 108; 606/173, 171, 170, 79, 86, 80, 167; D8/70

(56) **References Cited**

U.S. PATENT DOCUMENTS

3,618,611 A 11/1971 Urban
D329,092 S * 9/1992 Carusillo et al. D24/146
5,492,527 A 2/1996 Glowa et al.

5,980,545 A * 11/1999 Pacala et al. 606/170
6,036,681 A * 3/2000 Hooven 604/500
6,042,593 A 3/2000 Storz et al.
6,113,618 A * 9/2000 Nic 606/176
6,221,088 B1 4/2001 Bays
6,293,957 B1 9/2001 Peters et al.

OTHER PUBLICATIONS

U.S. patent application Ser. No. 10/103,104, Johnston et al., filed Mar. 22, 2002.

* cited by examiner

Primary Examiner—Ian Simmons

(74) *Attorney, Agent, or Firm*—Oliff & Berridge, PLC

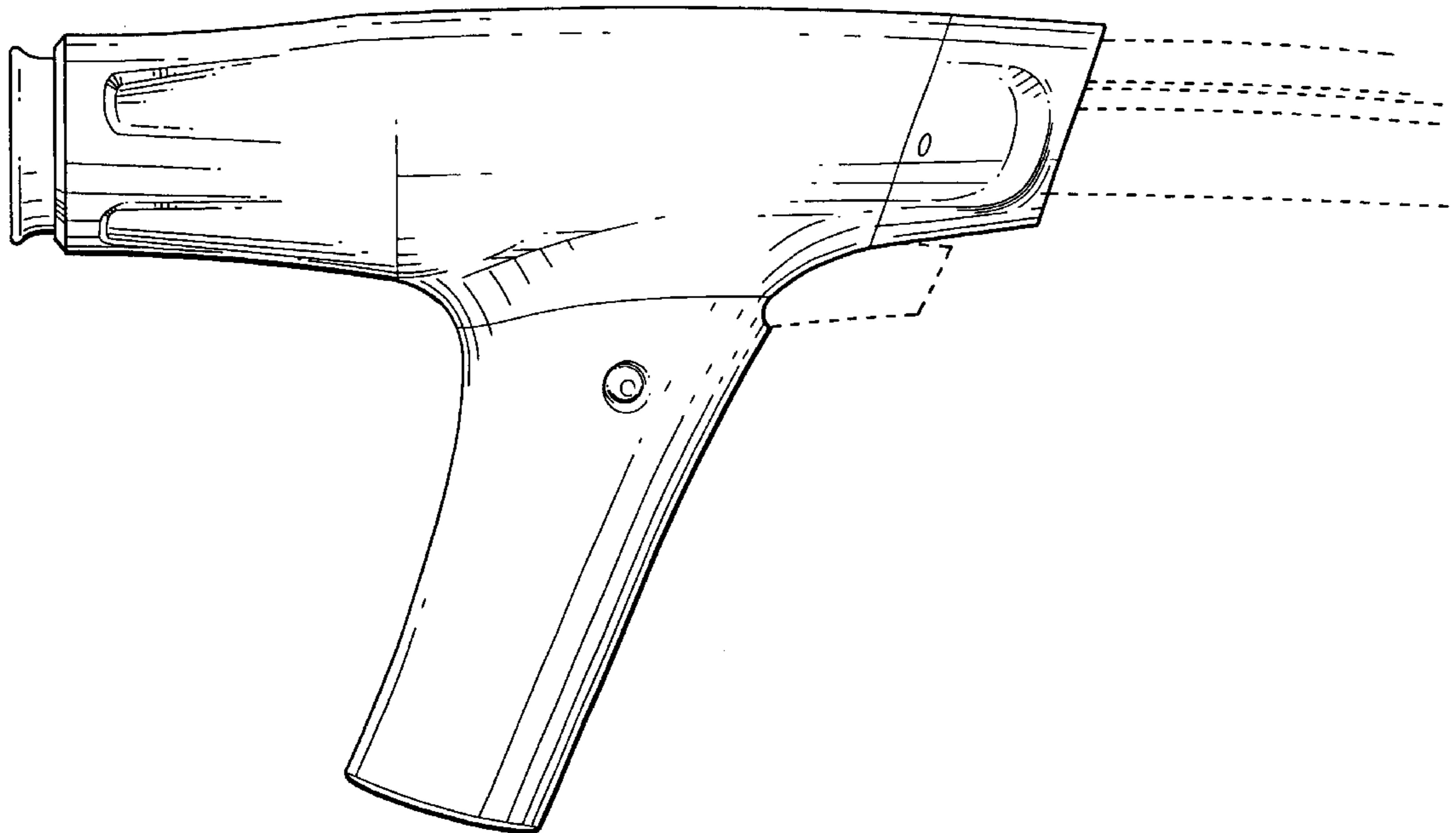
(57) **CLAIM**

The ornamental design for surgical tool, as shown and described.

DESCRIPTION

FIG. 1 is a side view of the surgical tool, the opposite side view being a mirror image;
FIG. 2 is a front end view thereof;
FIG. 3 is a rear end view thereof;
FIG. 4 is a top view thereof; and,
FIG. 5 is a bottom view thereof.
The broken line showing in FIGS. 1 through 5 are for illustrative purposes only and forms no part of the claimed design.

1 Claim, 3 Drawing Sheets



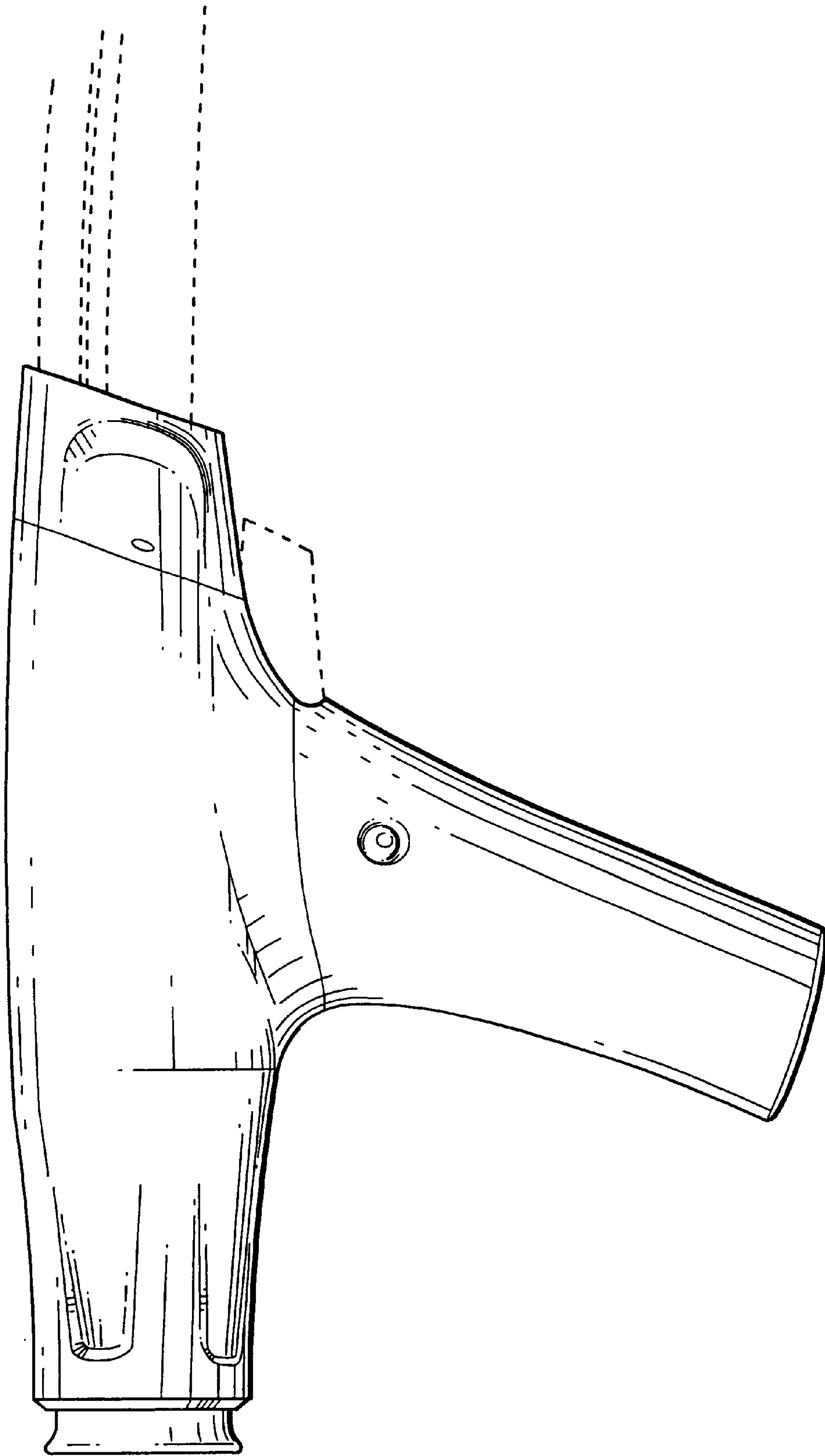


Fig. 1

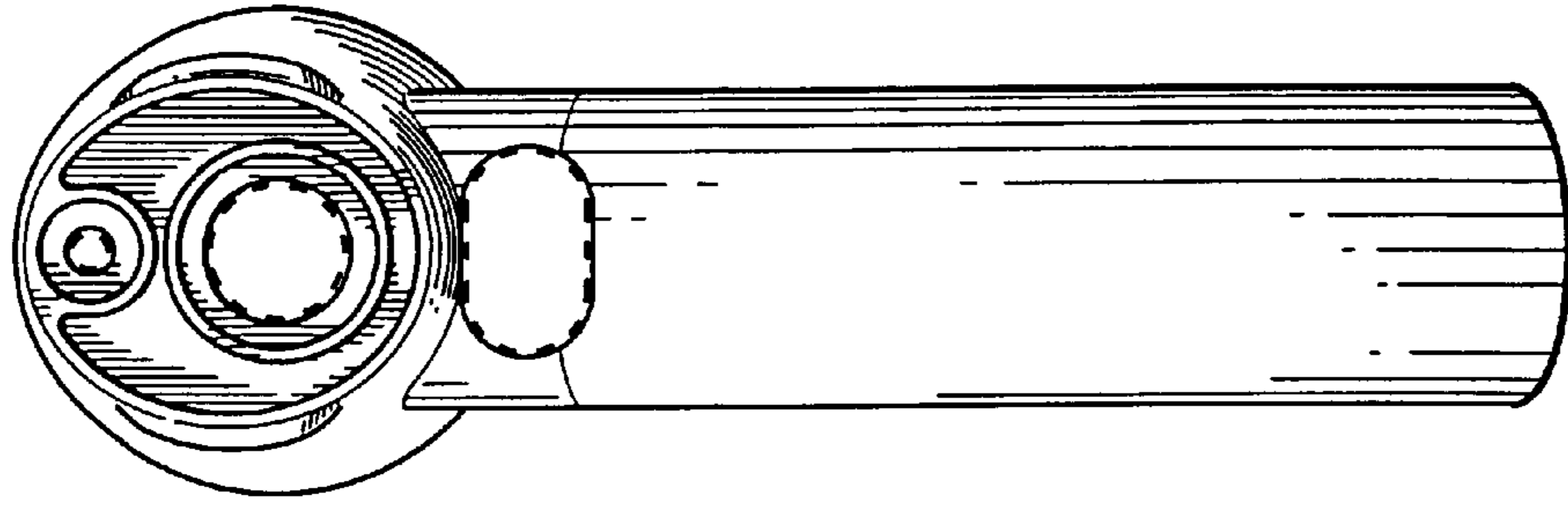


Fig. 3

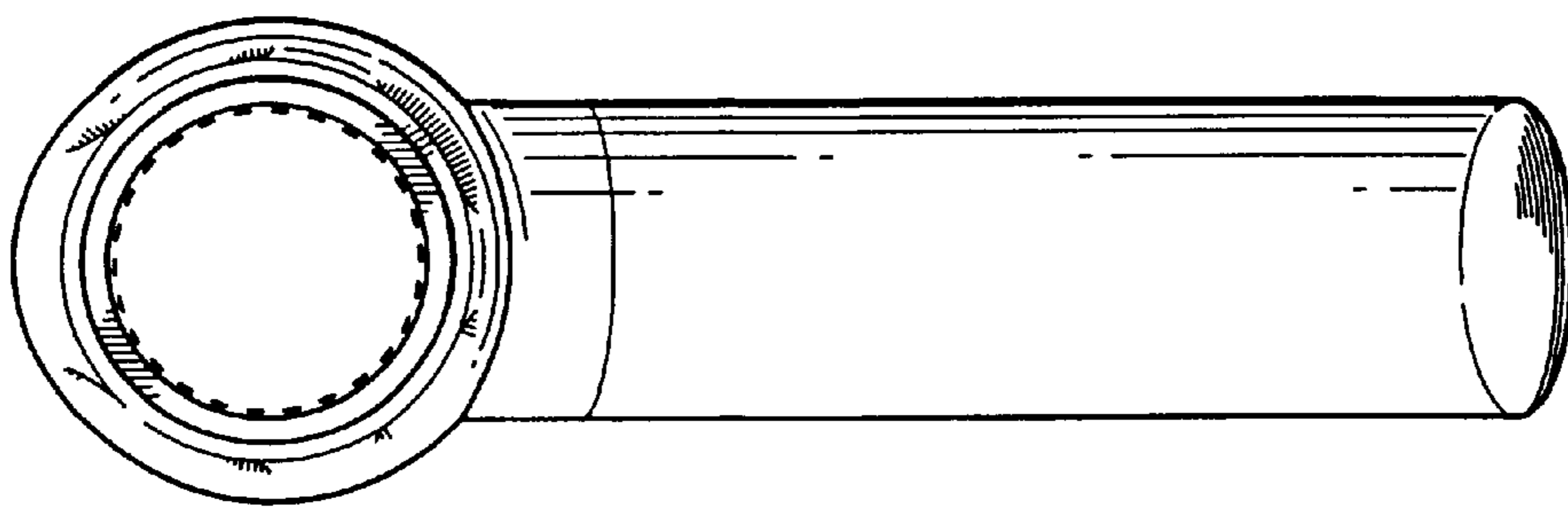


Fig. 2

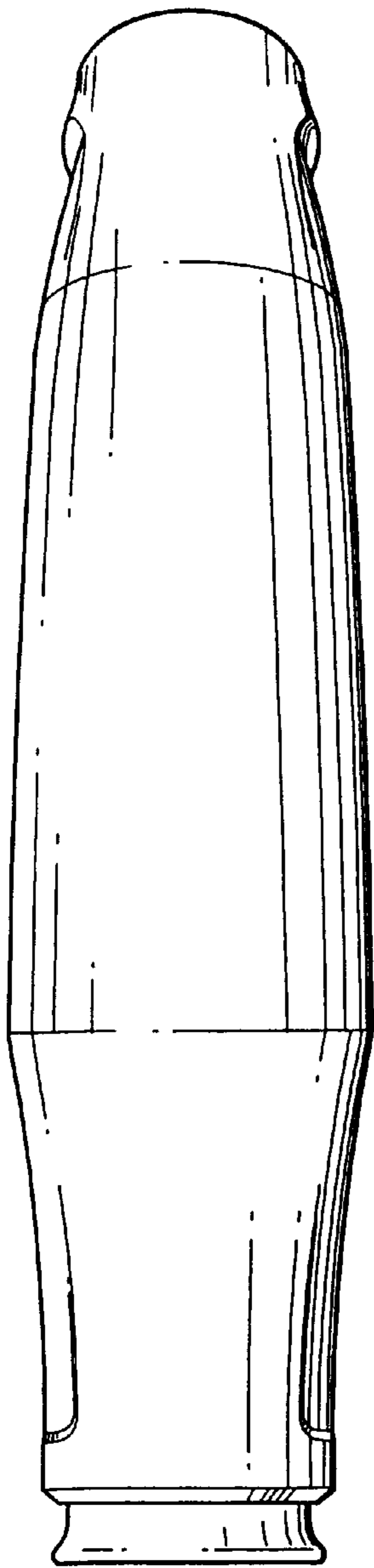


Fig. 4

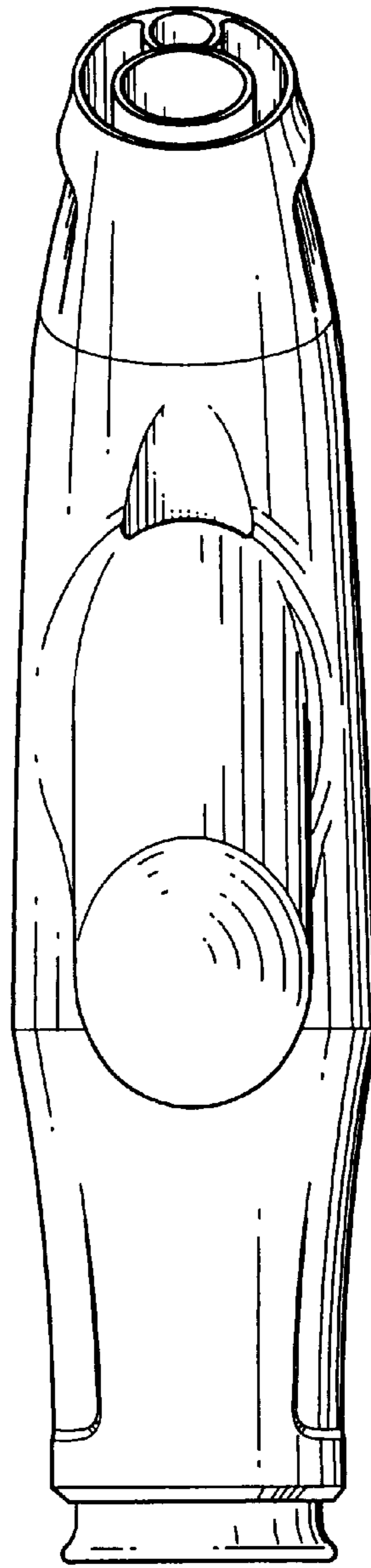


Fig. 5