



US00D478982S

(12) **United States Design Patent**
Cohen et al.

(10) **Patent No.:** **US D478,982 S**

(45) **Date of Patent:** **** Aug. 26, 2003**

(54) **ACTUATOR STRAP CAP**

FOREIGN PATENT DOCUMENTS

(75) Inventors: **D. Bruce Cohen**, Zebulon, NC (US);
Larry Dean Pavlinac, Zebulon, NC (US)

WO WO 96/12661 * 5/1996 B65D/83/14

* cited by examiner

(73) Assignee: **SmithKline Beecham Corporation**,
Philadelphia, PA (US)

Primary Examiner—Louis S. Zarfes

Assistant Examiner—Gregory Andoll

(74) *Attorney, Agent, or Firm*—J. Michael Strickland

(**) Term: **14 Years**

(57) **CLAIM**

(21) Appl. No.: **29/158,727**

We claim the ornamental design for an actuator strap cap, as shown and described.

(22) Filed: **Apr. 9, 2002**

DESCRIPTION

(51) **LOC (7) Cl.** **29-02**

(52) **U.S. Cl.** **D24/100; D9/446**

(58) **Field of Search** D9/446, 442, 444,
D9/445, 300, 301, 448–450; D24/100; 215/306;
220/376; 128/200.23, 200.14

FIG. 1 is a perspective view of the strap cap showing our new design;

FIG. 2 is a side view thereof;

FIG. 3 is a top view thereof;

FIG. 4 is another side view thereof;

FIG. 5 is a bottom view thereof;

FIG. 6 is an end view thereof; and,

FIG. 7 is another end view thereof.

(56) **References Cited**

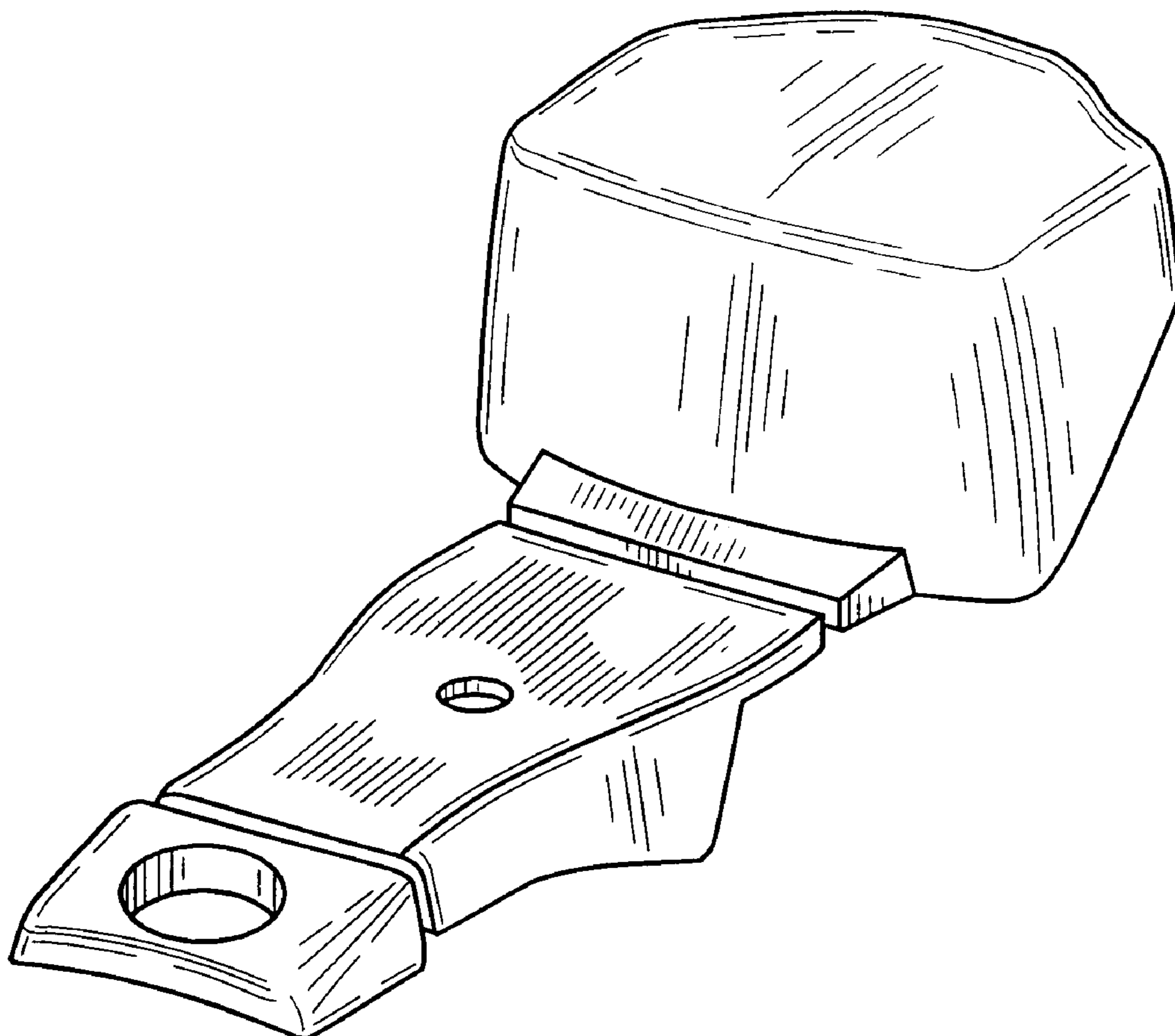
U.S. PATENT DOCUMENTS

D370,726 S * 6/1996 Padfield D24/110

6,026,807 A * 2/2000 Puderbaugh et al. ... 128/200.23

D449,684 S * 10/2001 Christrup et al. D24/110

1 Claim, 2 Drawing Sheets



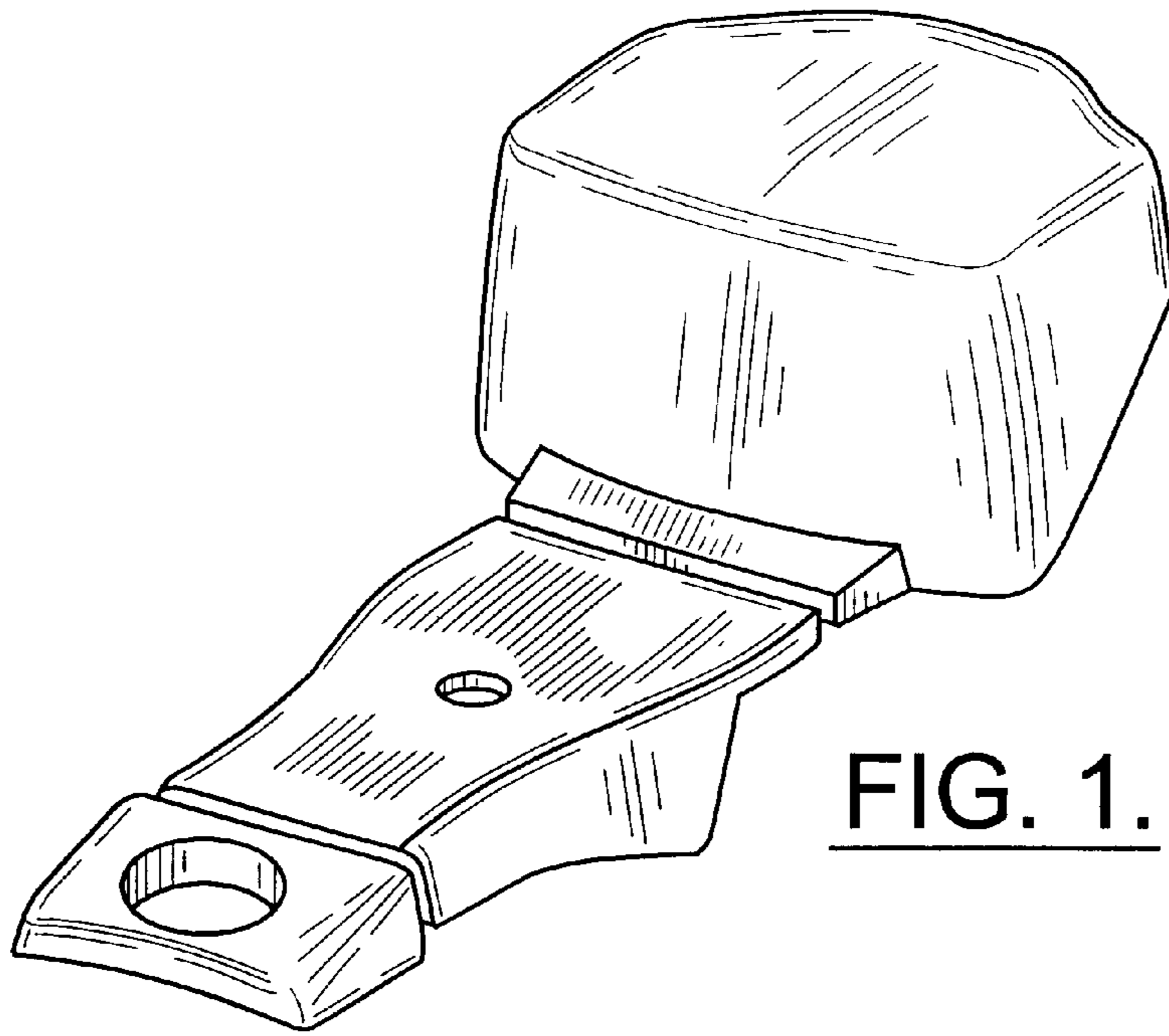


FIG. 1.

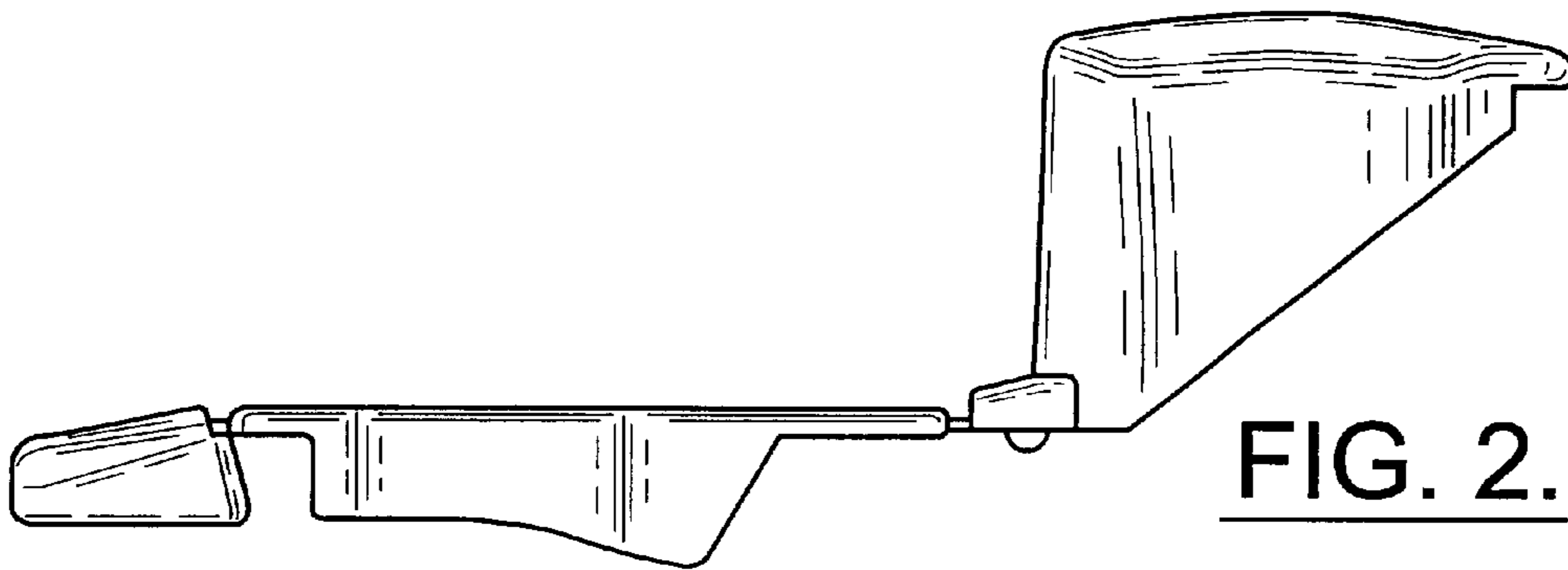


FIG. 2.

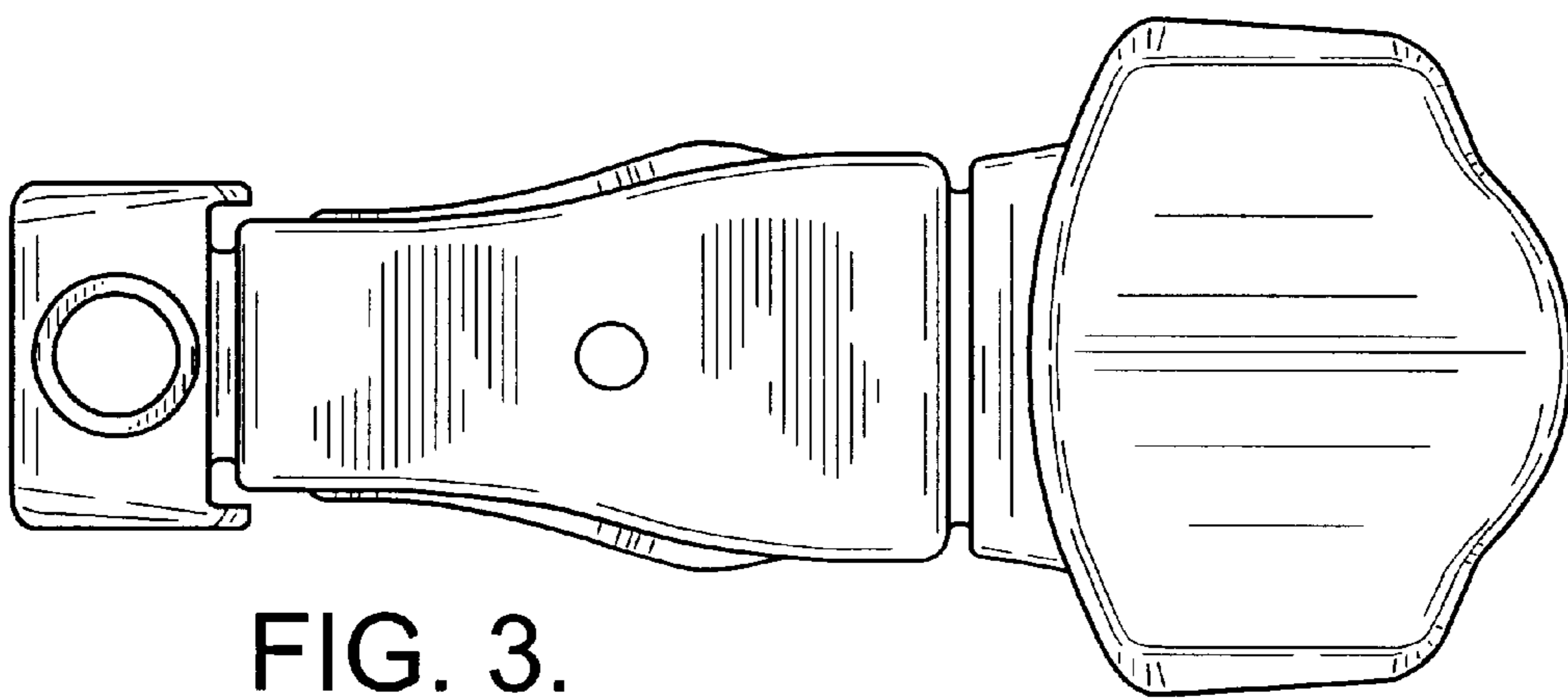


FIG. 3.

