



US00D478979S

(12) **United States Design Patent**
Marshall

(10) **Patent No.:** **US D478,979 S**

(45) **Date of Patent:** **** Aug. 26, 2003**

(54) **BLADE ARM FOR A CEILING FAN**

(76) Inventor: **John C. Marshall**, 6249 Thibodeaux Rd., Greenwell Springs, LA (US) 70739

(**) Term: **14 Years**

(21) Appl. No.: **29/159,296**

(22) Filed: **Apr. 19, 2002**

(51) **LOC (7) Cl.** **23-04**

(52) **U.S. Cl.** **D23/411**

(58) **Field of Search** D23/411, 413,
D23/377, 379, 385; 416/5, 210 R; 392/364;
D25/149

(56) **References Cited**

U.S. PATENT DOCUMENTS

D376,642 S	*	12/1996	Dolan	D23/411
D376,846 S	*	12/1996	Morrow	D23/411
D404,124 S	*	1/1999	Tsuji	D23/411
D409,299 S	*	5/1999	Chou	D23/411

* cited by examiner

Primary Examiner—Lisa Lichtenstein
(74) *Attorney, Agent, or Firm*—Liniak, Berenato, & White, LLC

(57) **CLAIM**

The ornamental design for a blade arm for a ceiling fan, as shown and described.

DESCRIPTION

FIG. 1 is a top plan view of a blade arm for a ceiling fan showing my new design;
FIG. 2 is a bottom plan view thereof;
FIG. 3 is a right side elevational view thereof;
FIG. 4 is a left side elevational view thereof;
FIG. 5 is a front elevational view thereof;
FIG. 6 is a side elevational view thereof;
FIG. 7 is a perspective view thereof; and,
FIG. 8 is a top plan view of the embodiment of FIG. 1 facing in an opposite direction, with the corresponding views being mirror images to those of FIGS. 2–7.

The broken line showing of environmental structure in FIGS. 1–16 is for illustrative purposes only and forms no part of the claimed design.

1 Claim, 6 Drawing Sheets

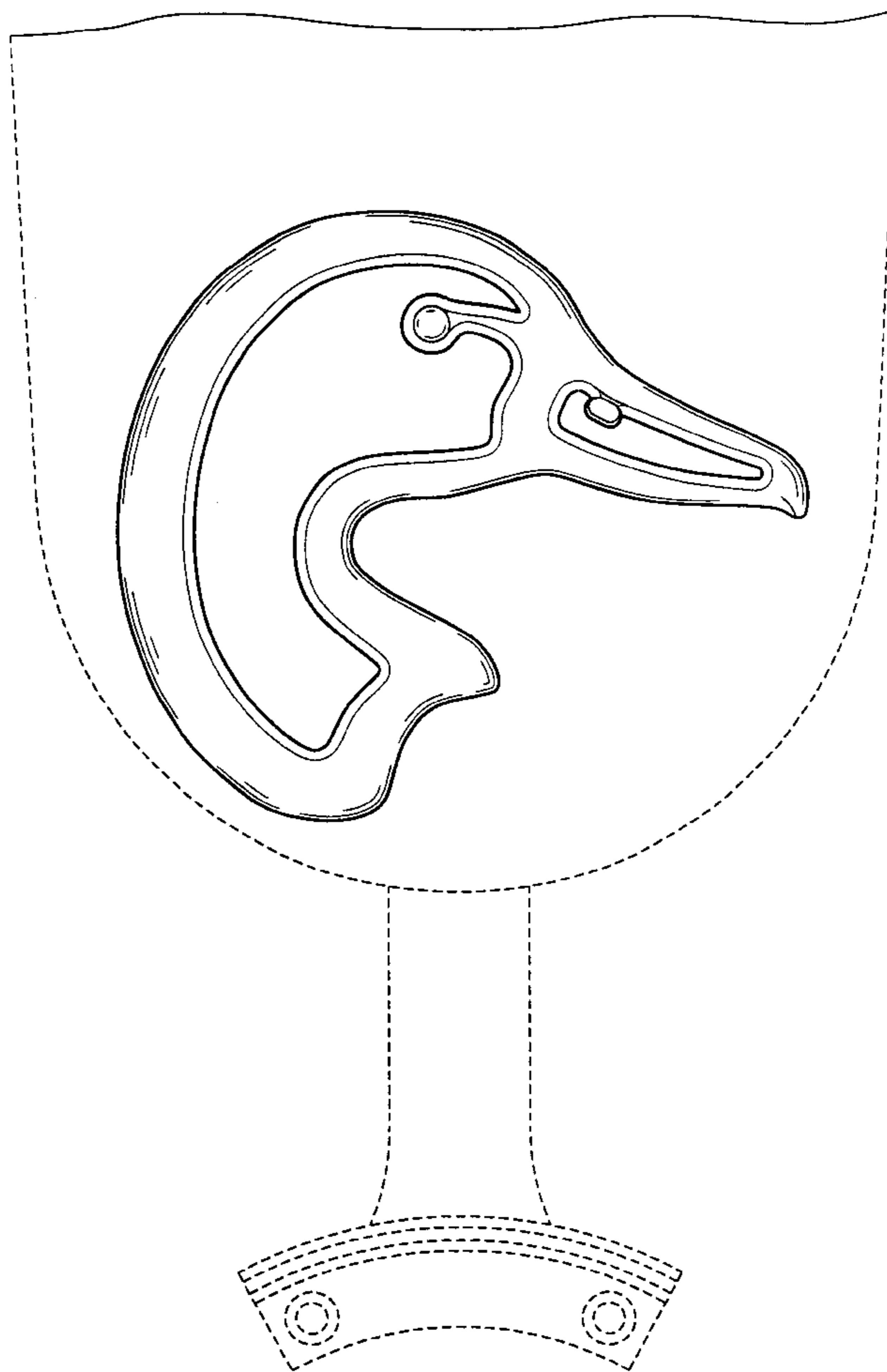


Fig. 1

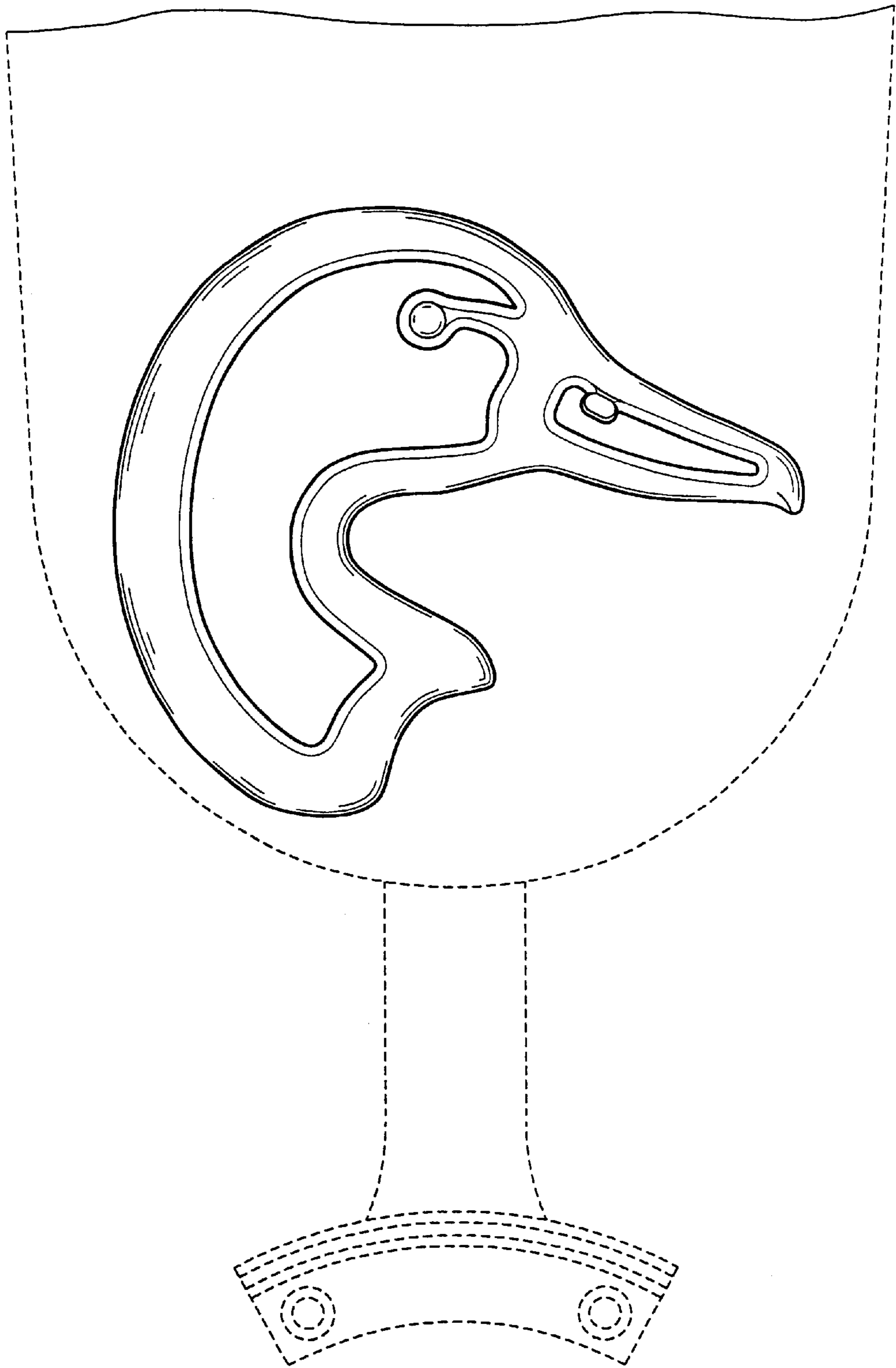


Fig. 2

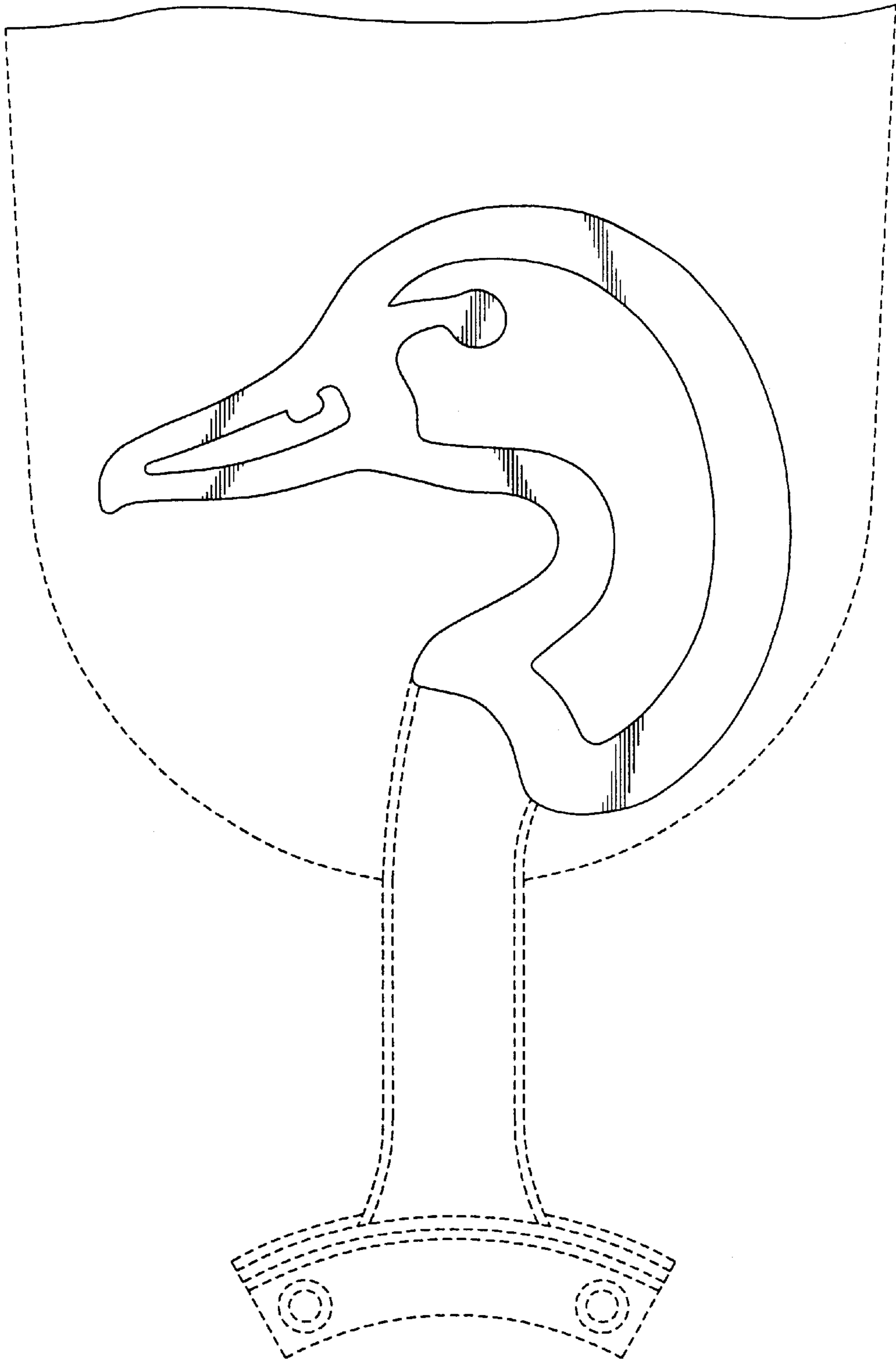


Fig. 3

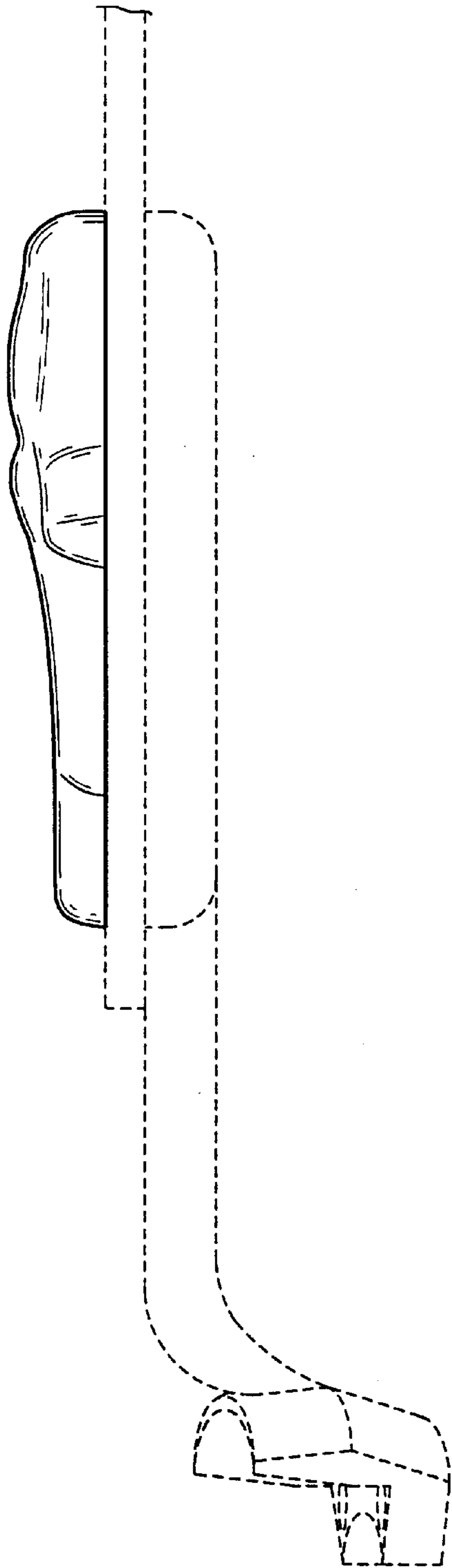


Fig. 4

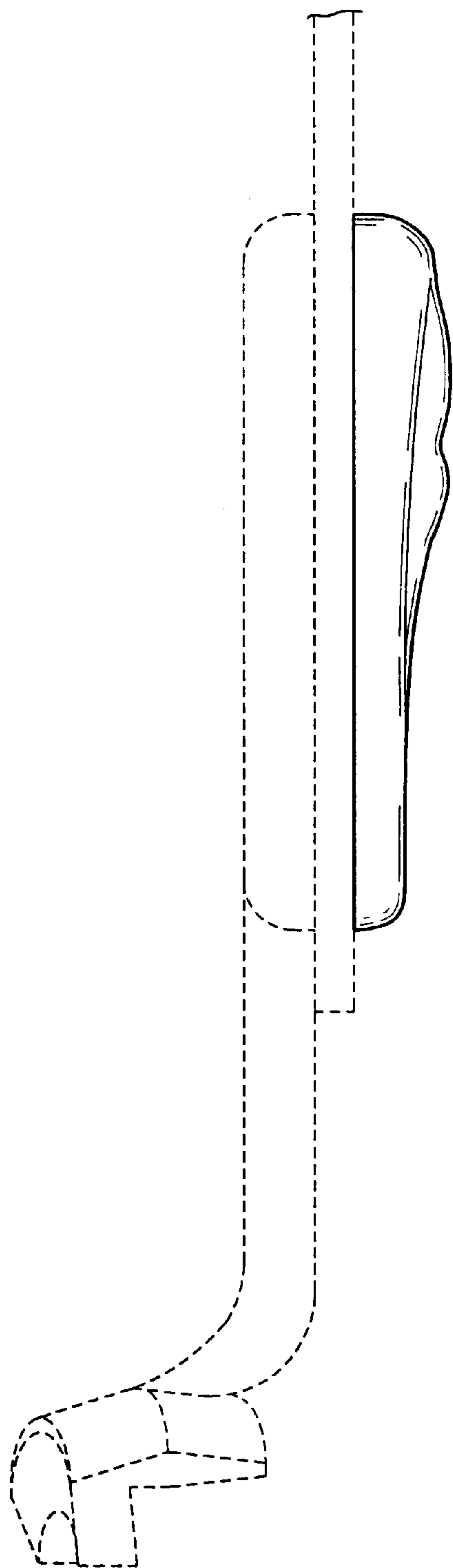


Fig. 5

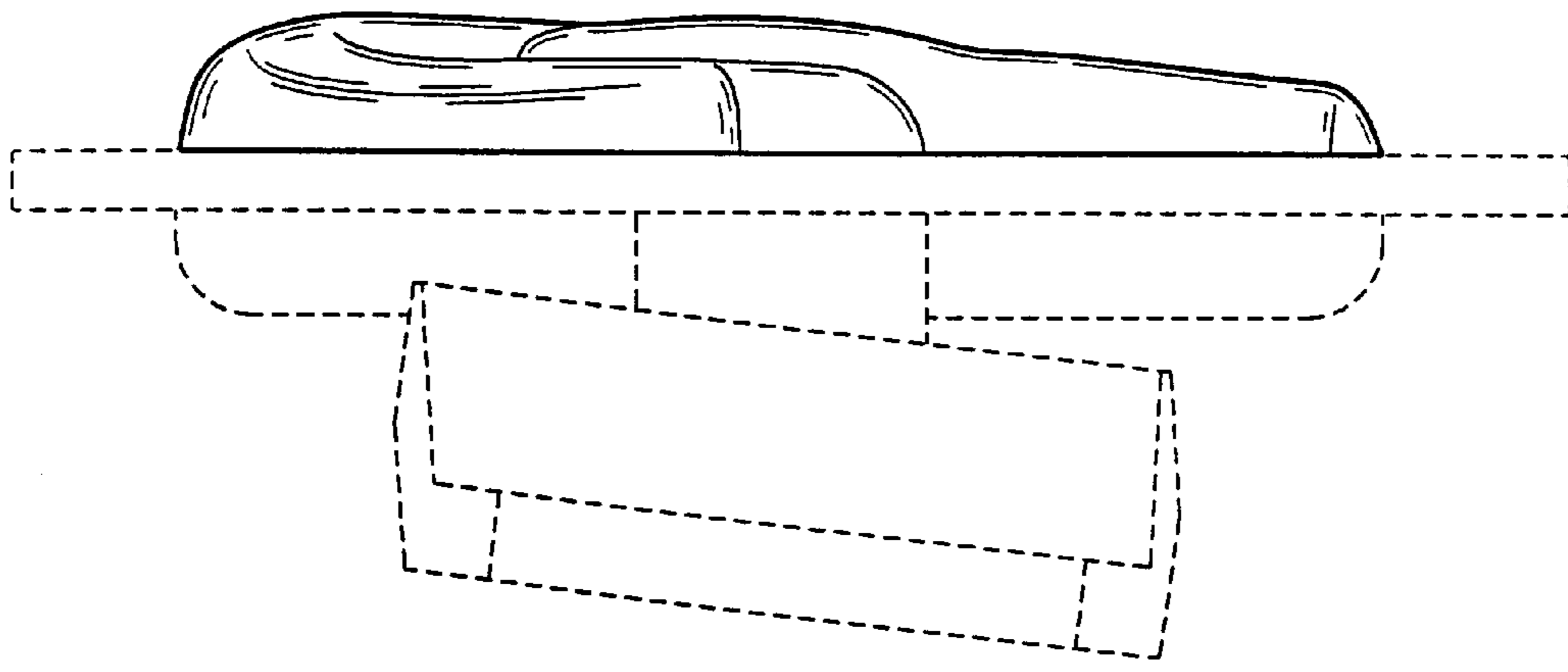


Fig. 6

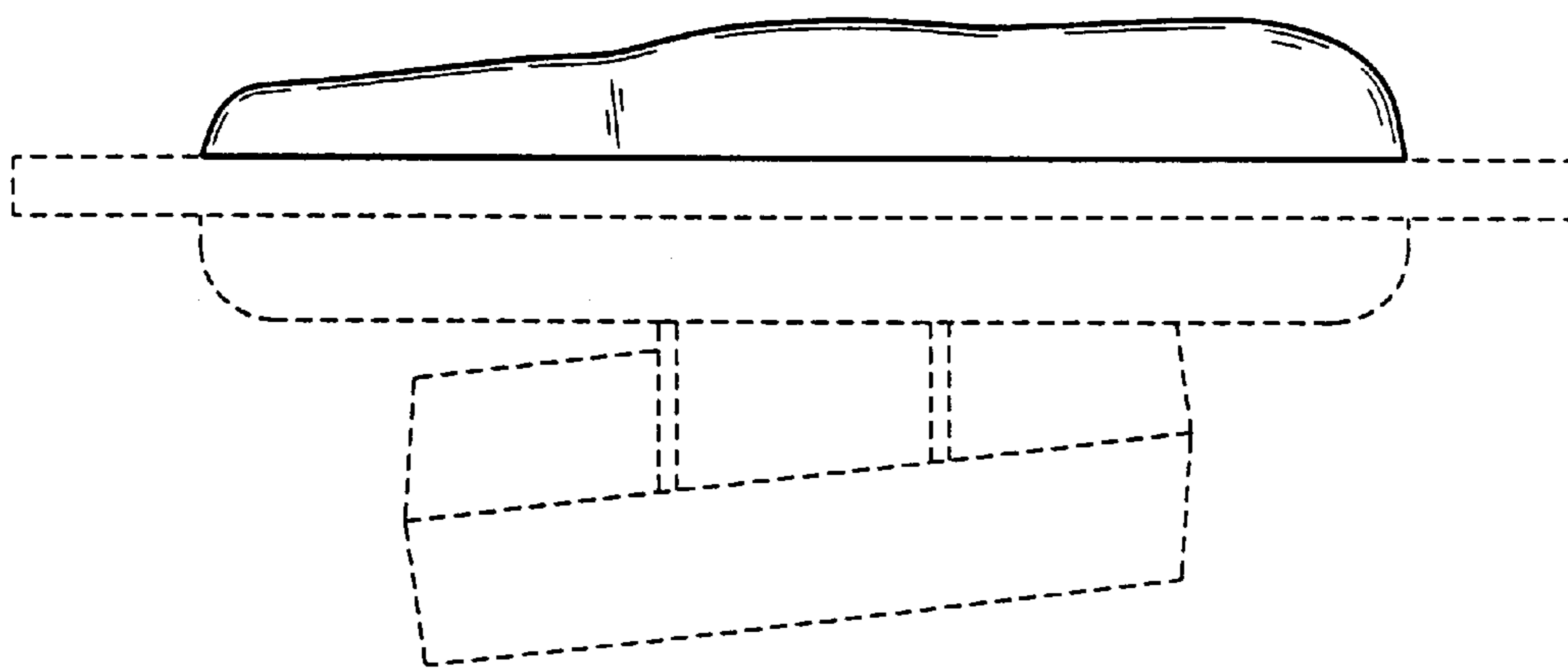


Fig. 7

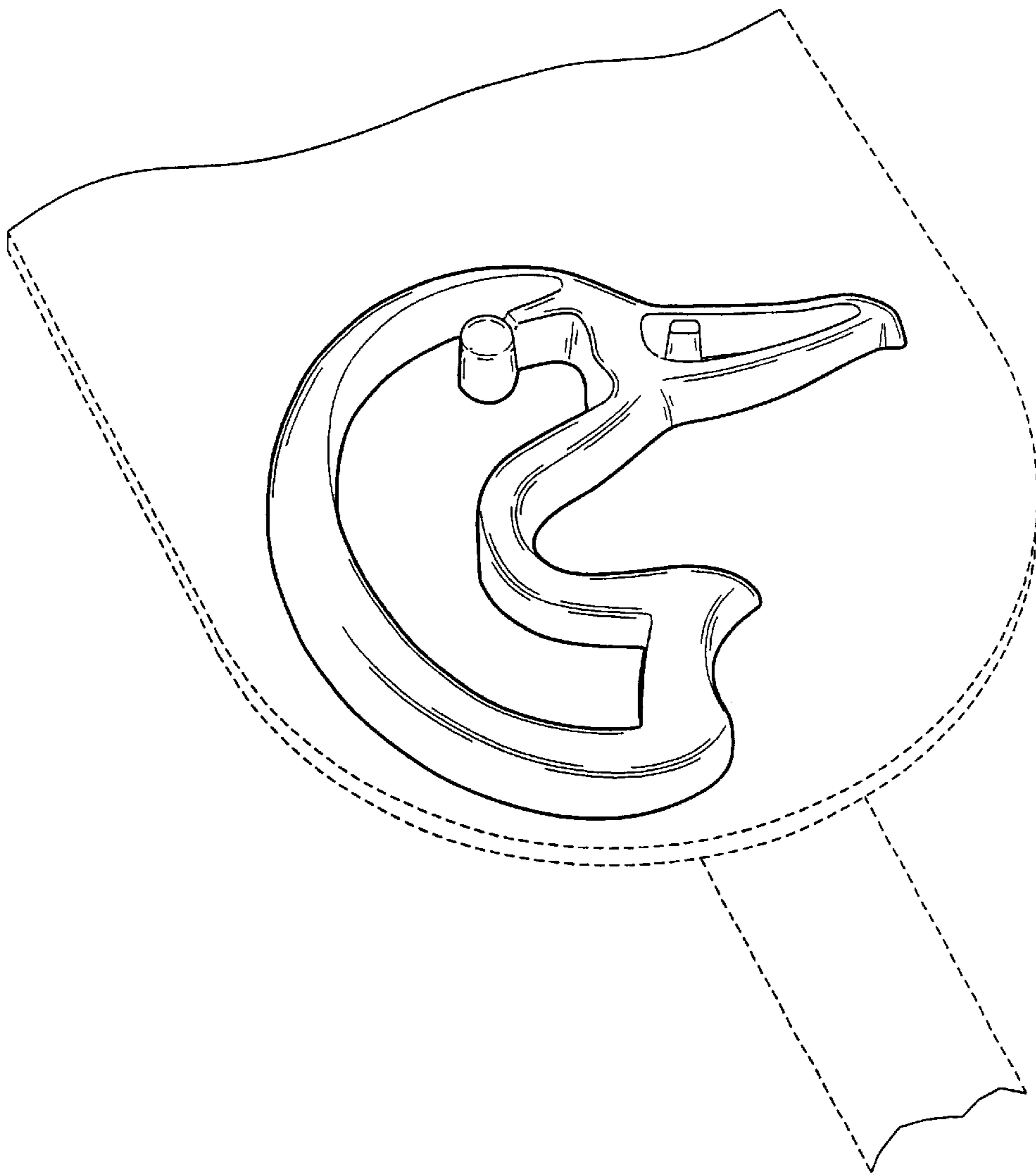


Fig. 8

