



US00D478978S

(12) **United States Design Patent**
Stout, Jr.

(10) **Patent No.:** **US D478,978 S**

(45) **Date of Patent:** **** Aug. 26, 2003**

(54) **REDUCER WITH A CRIMPED END**

(75) Inventor: **William K. Stout, Jr.**, Mason, OH (US)

(73) Assignee: **Eastern Sheet Metal LLC**, Cincinnati, OH (US)

(*) Notice: This patent is subject to a terminal disclaimer.

(**) Term: **14 Years**

(21) Appl. No.: **29/138,783**

(22) Filed: **Mar. 20, 2001**

(51) **LOC (7) Cl.** **23-04**

(52) **U.S. Cl.** **D23/393**

(58) **Field of Search** D23/259, 262, D23/263, 266, 386, 387, 391, 393, 394; 138/111-117, DIG. 4, DIG. 11, 177, 167, 169; 285/47, 123.15, 123.16, 110, 374, 347, 232-234, 123.1, 123.3-123.7, 123.9, 148.18, 148.22, 148.23, 148.24, 148.25, 179, 179.2, 181, 183, 332, 332.1, 334.5, 399, 189, 424; 454/228-236, 243, 270, 903, 906; 126/307 R, 312, 307 A, 314-317

(56) **References Cited**

U.S. PATENT DOCUMENTS

D25,709 S 6/1896 Pratt
1,301,096 A * 4/1919 Brockest 285/334.4

(List continued on next page.)

FOREIGN PATENT DOCUMENTS

DE 2840962 4/1979

(List continued on next page.)

OTHER PUBLICATIONS

Hallstroms Verkstader 2 page advertisement and an English translation of portions thereof. Mar. 21, 2000.

(List continued on next page.)

Primary Examiner—Ted Shooman

Assistant Examiner—C Tuttle

(74) *Attorney, Agent, or Firm*—Dinsmore & Shohl LLP

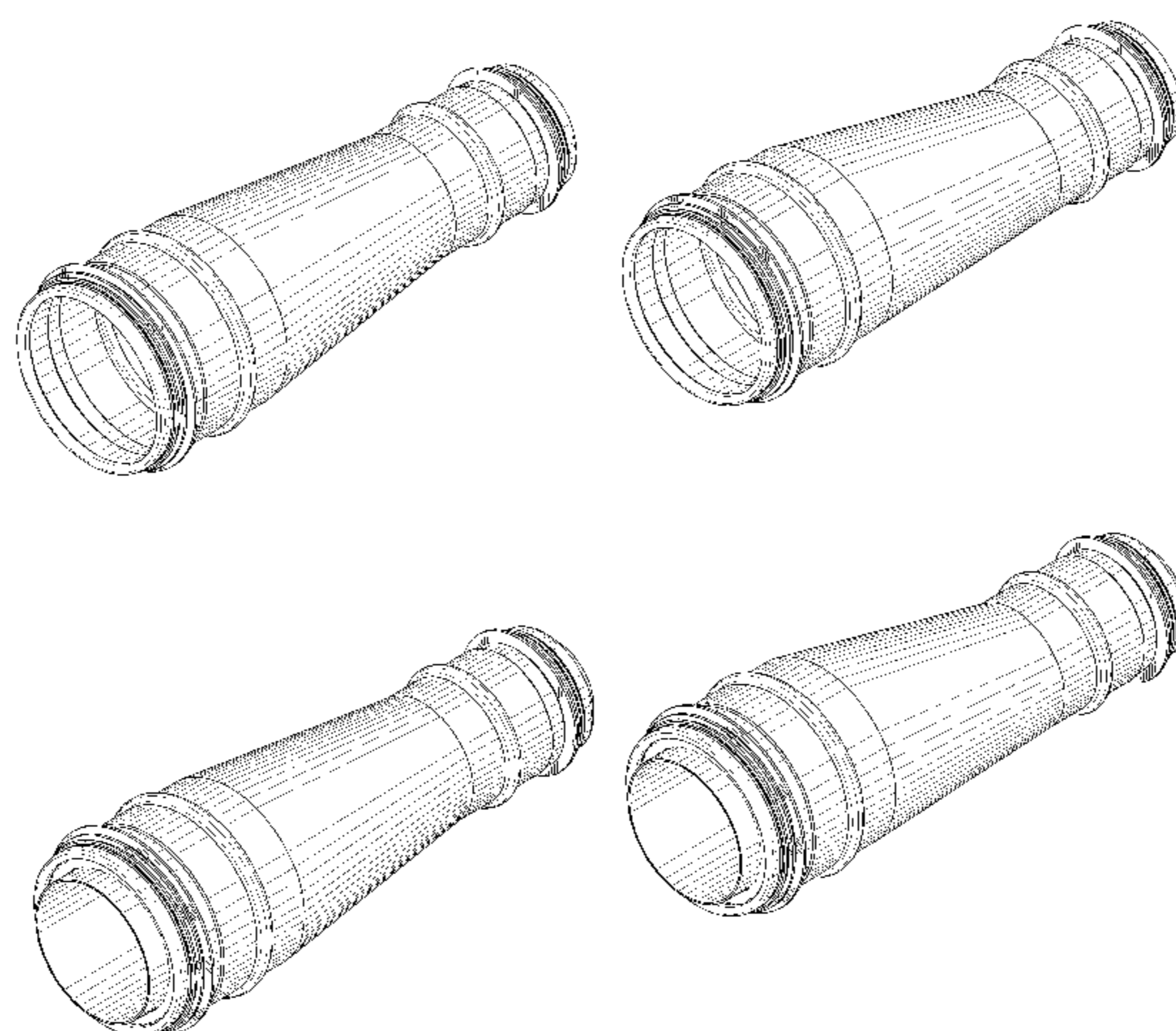
(57) **CLAIM**

The ornamental design for a reducer with a crimped end, as shown and described.

DESCRIPTION

FIG. 1 is a front elevational view of a first embodiment of the reducer with a crimped end; the rear elevational, top and bottom views being identical to FIG. 1; FIG. 2 is a front perspective view of the reducer of FIG. 1; FIG. 3 is a left end view of the reducer of FIG. 1; FIG. 4 is a right end view of the reducer of FIG. 1; FIG. 5 is a front elevational view of a second embodiment of the reducer with a crimped end; the rear elevational, top and bottom views being identical to FIG. 5; FIG. 6 is a front perspective view of the reducer of FIG. 5; FIG. 7 is a left end view of the reducer of FIG. 5; FIG. 8 is a right end view of the reducer of FIG. 5; FIG. 9 is a front elevational view of a third embodiment of the reducer with a crimped end; the rear elevational view being a mirror image of FIG. 9; FIG. 10 is a front perspective view of the reducer of FIG. 9; FIG. 11 is a left end view of the reducer of FIG. 9; FIG. 12 is a right end view of the reducer of FIG. 9; FIG. 13 is a top view of the reducer of FIG. 9; FIG. 14 is a bottom view of the reducer of FIG. 9; FIG. 15 is a front elevational view of a fourth embodiment of the reducer with a crimped end; the rear elevational view being a mirror image of FIG. 15; FIG. 16 is a front perspective view of the reducer of FIG. 15; FIG. 17 is a left end view of the reducer of FIG. 15; FIG. 18 is a right end view of the reducer of FIG. 15; FIG. 19 is a top view of the reducer of FIG. 15; and, FIG. 20 is a bottom view of the reducer of FIG. 15. The broken lines shown in FIGS. 2, 3 6-8, 10, 11 and 16-18 are for illustrative purposes only and form no part of the claimed design.

1 Claim, 16 Drawing Sheets



U.S. PATENT DOCUMENTS

1,565,918	A	12/1925	Fitzgerald	
1,570,974	A	1/1926	Stevens	
2,039,542	A	* 5/1936	Lindquist	285/133.3
2,314,386	A	3/1943	Brend	
2,544,108	A	3/1951	Richardson	
2,616,728	A	* 11/1952	Pitt	285/47
2,746,114	A	* 5/1956	Williams	24/389
2,930,635	A	3/1960	Woodling	
3,015,510	A	1/1962	Bates	
D234,847	S	4/1975	Hoffman	
3,955,834	A	5/1976	Ahlrot	
4,007,941	A	2/1977	Stancati	
4,050,703	A	9/1977	Tuvedsson et al.	
4,193,246	A	3/1980	Schiefer et al.	
4,216,981	A	8/1980	Jensen	
4,369,159	A	1/1983	Irmer	
4,418,943	A	* 12/1983	Ionna	285/12
D273,702	S	5/1984	Widerby et al.	
4,583,772	A	* 4/1986	Vassallo et al.	285/347
4,664,421	A	5/1987	Jones	
4,941,693	A	* 7/1990	Spaude et al.	285/331
5,390,961	A	* 2/1995	Guthrie	285/41
5,405,174	A	4/1995	Sondén et al.	
5,407,122	A	4/1995	Stefansson et al.	
D360,018	S	7/1995	Sondén et al.	
D360,019	S	7/1995	Sondén et al.	
D360,020	S	7/1995	Sondén et al.	
D360,021	S	7/1995	Sondén et al.	
D361,829	S	8/1995	Sondén et al.	
D362,299	S	9/1995	Sondén et al.	
D362,300	S	9/1995	Sondén et al.	
5,452,922	A	* 9/1995	Ziu	285/123.1
D363,115	S	10/1995	Lennartsson	
5,473,815	A	12/1995	Sonden et al.	
D367,316	S	2/1996	Sondén et al.	
D368,304	S	3/1996	Morrison	
5,531,460	A	7/1996	Stefansson et al.	
D377,829	S	2/1997	Andresen	
5,599,600	A	2/1997	Rau	
5,649,662	A	7/1997	Krichau et al.	
D383,053	S	9/1997	Schrader et al.	
D383,195	S	9/1997	Sondén et al.	
D383,196	S	9/1997	Sondén et al.	
D386,246	S	11/1997	Sondén et al.	
D402,354	S	12/1998	Strong et al.	
D407,802	S	4/1999	Hatfield et al.	
D427,667	S	7/2000	Stout, Jr.	
D427,668	S	7/2000	Stout, Jr.	
D427,673	S	7/2000	Stout, Jr.	
D430,482	S	9/2000	Stout, Jr.	
D435,090	S	12/2000	Stout, Jr.	
D437,034	S	1/2001	Stout, Jr.	
6,170,883	B1	1/2001	Mattsson et al.	
6,220,303	B1	* 4/2001	Secher et al.	138/110
D447,223	S	8/2001	Mattsson et al.	
D454,949	S	3/2002	Mattsson et al.	
D456,071	S	4/2002	Mattsson et al.	
D456,072	S	4/2002	Mattsson et al.	
D461,887	S	8/2002	Mattsson et al.	

6,431,609 B1 8/2002 Andersson

FOREIGN PATENT DOCUMENTS

DK	150025	B	11/1986
EP	092881	A2	11/1983
EP	0273221	B1	7/1988
EP	0389462	A1	9/1990
EP	0758066	B1	2/1997
FR	2015241		4/1970
GB	1587018		3/1981
IT	1285018		3/1998
NO	174861		4/1994
SE	13987		1/1974
SE	17788		4/1976
SE	19819		4/1977
SE	25473		4/1980
SE	25610		4/1980
SE	26059		7/1980
SE	26995		12/1980
WO	WO9415133		7/1994

OTHER PUBLICATIONS

“Sistema Di Tenuta Ring”, Issued by Climovent System, an Italian Company; pp. 1–6 (Undated).
 “Veloduct” catalog 1997, ABB Ventilation Products AB, Division Veloduct.
 U.S. patent application Ser. No. 29/138,761.
 U.S. patent application Ser. No. 29/138,838.
 U.S. patent application Ser. No. 29/138,820.
 U.S. patent application Ser. No. 29/138,847.
 U.S. patent application Ser. No. 29/138,785.
 U.S. patent application Ser. No. 29/138,839.
 U.S. patent application Ser. No. 29/138,830.
 U.S. patent application Ser. No. 29/138,819.
 U.S. patent application Ser. No. 29/138,818.
 U.S. patent application Ser. No. 29/138,782.
 U.S. patent application Ser. No. 29/138,790.
 U.S. patent application Ser. No. 29/138,786.
 U.S. patent application Ser. No. 29/138,771.
 U.S. patent application Ser. No. 29/138,760.
 U.S. patent application Ser. No. 29/138,836.
 U.S. patent application Ser. No. 29/138,764.
 U.S. patent application Ser. No. 29/138,668.
 U.S. patent application Ser. No. 29/138,772.
 U.S. patent application Ser. No. 29/138,784.
 U.S. patent application Ser. No. 29/138,781.
 U.S. patent application Ser. No. 29/138,842.
 U.S. patent application Ser. No. 29/138,837.
 U.S. patent application Ser. No. 29/138,763.
 U.S. patent application Ser. No. 29/138,829.
 U.S. patent application Ser. No. 29/138,762.
Ducts and Fittings Product Brochure, Lindab Ltd., Northampton, Great Britain (undated), front and back covers and pp. 3–52.

* cited by examiner

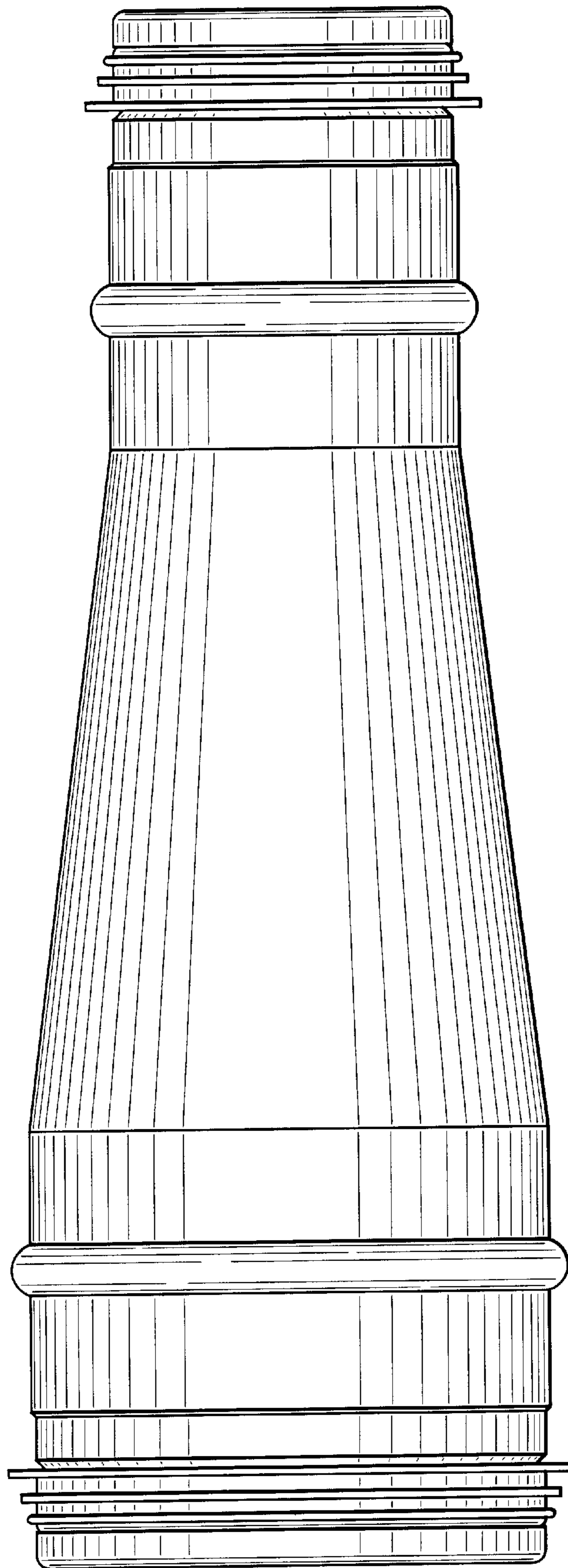


FIG. 1

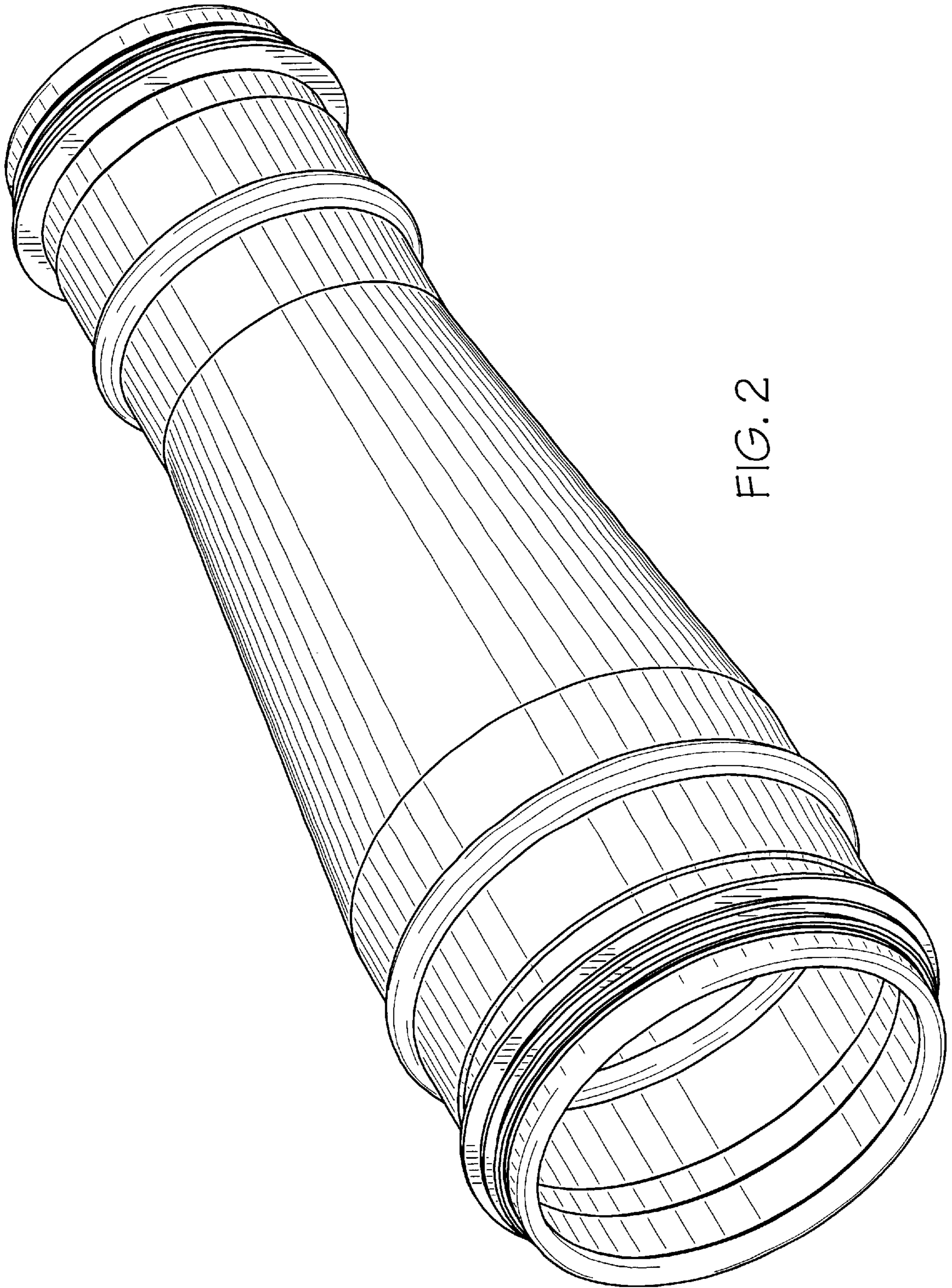


FIG. 2

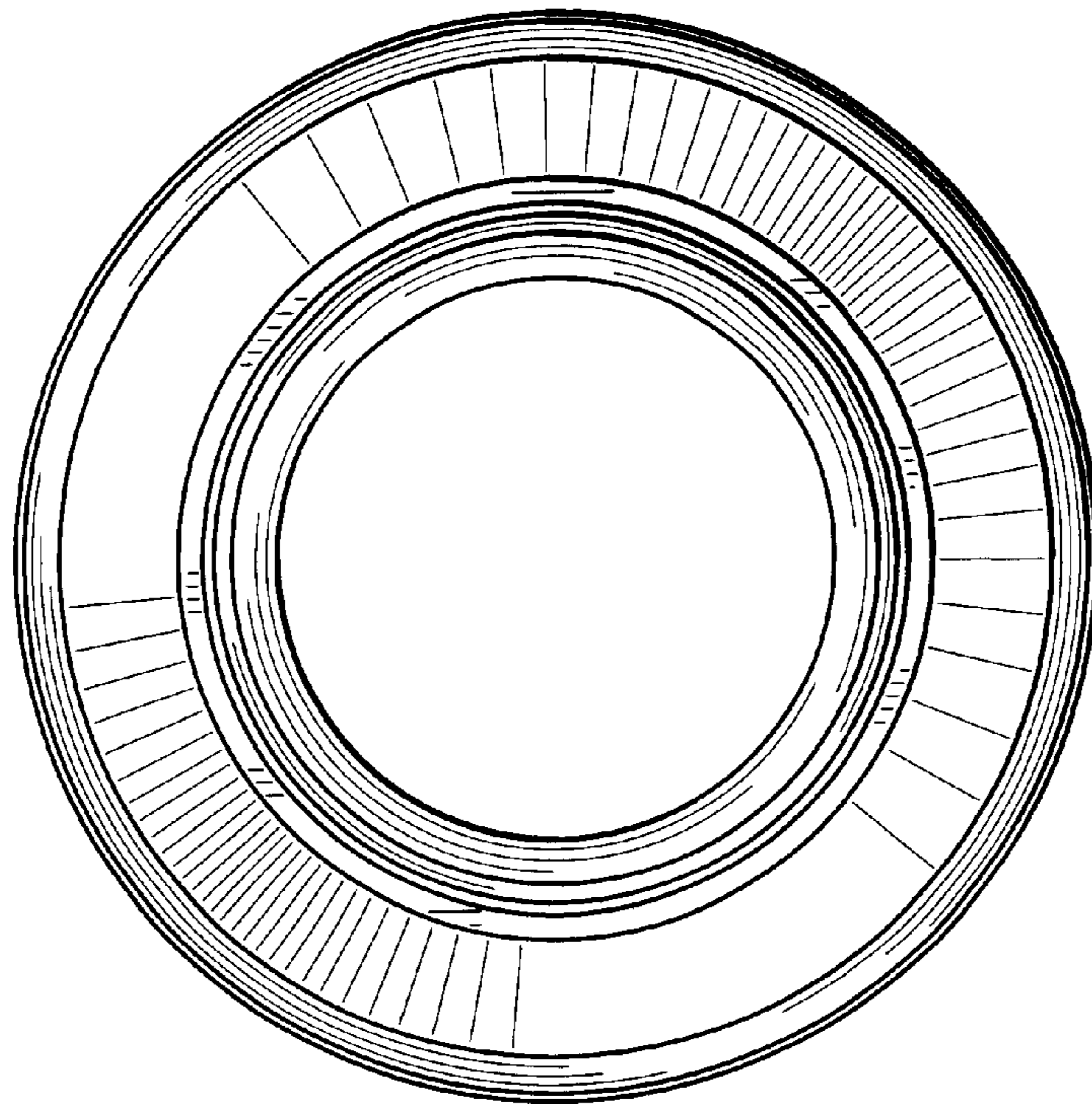


FIG. 4

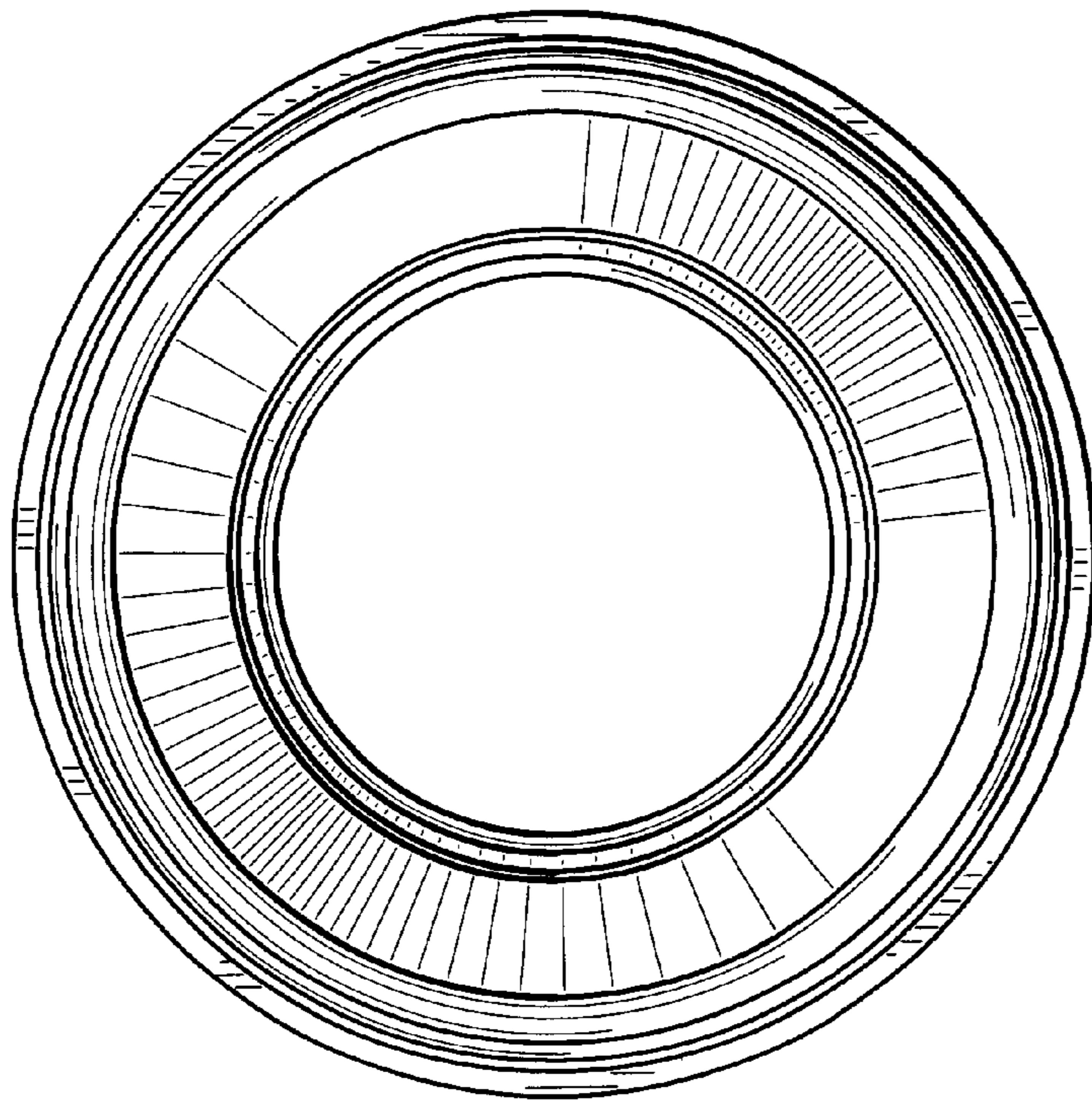


FIG. 3

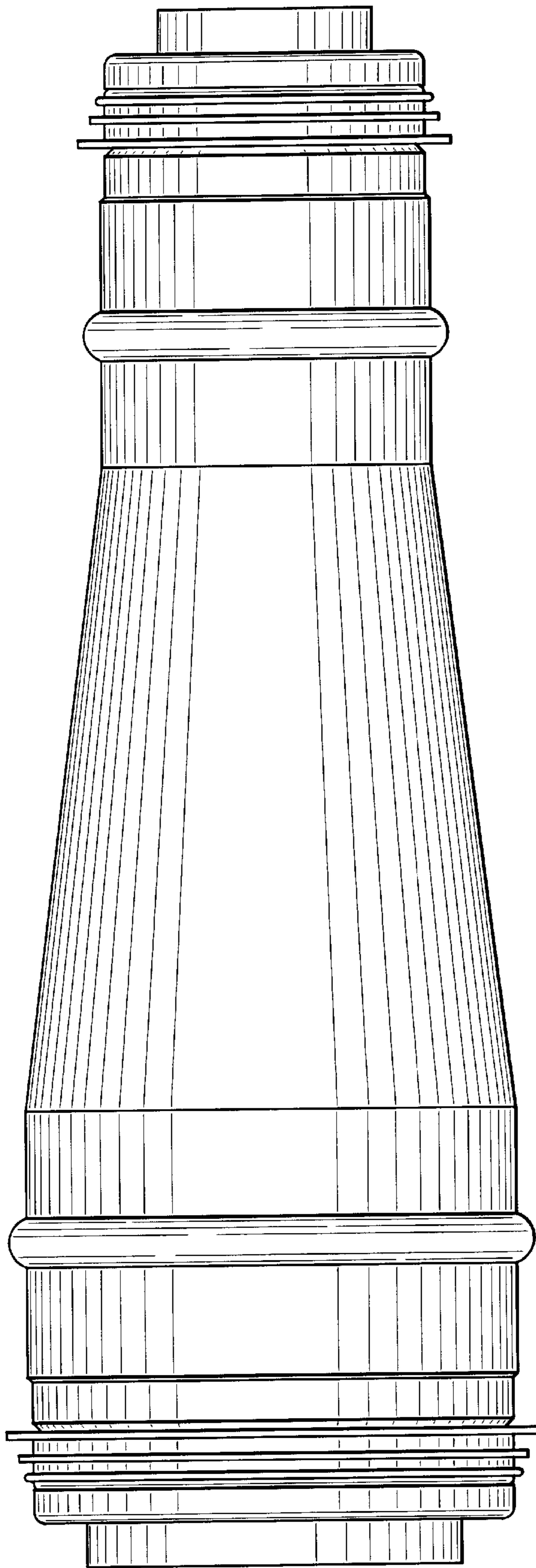


FIG. 5

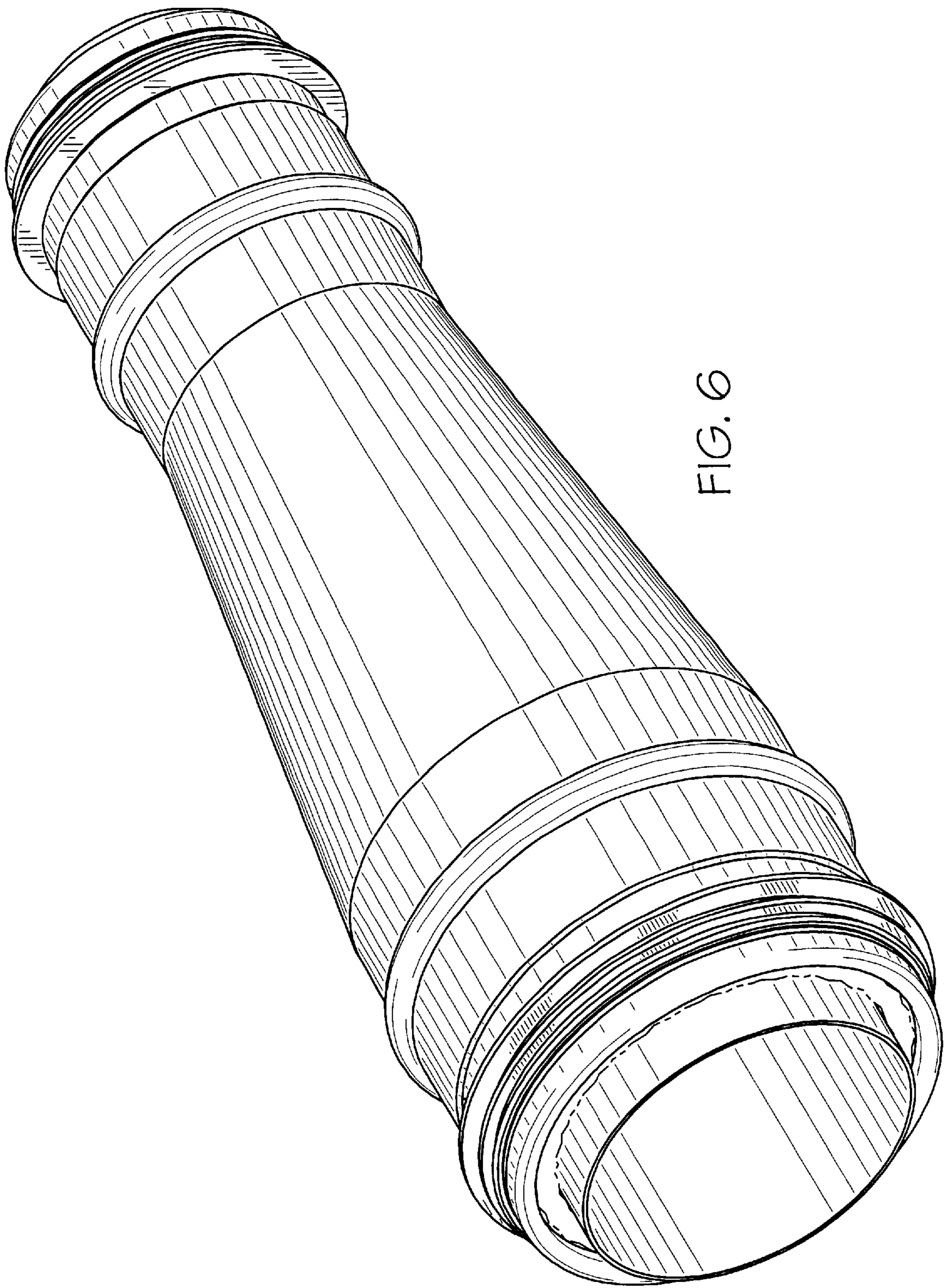


FIG. 6

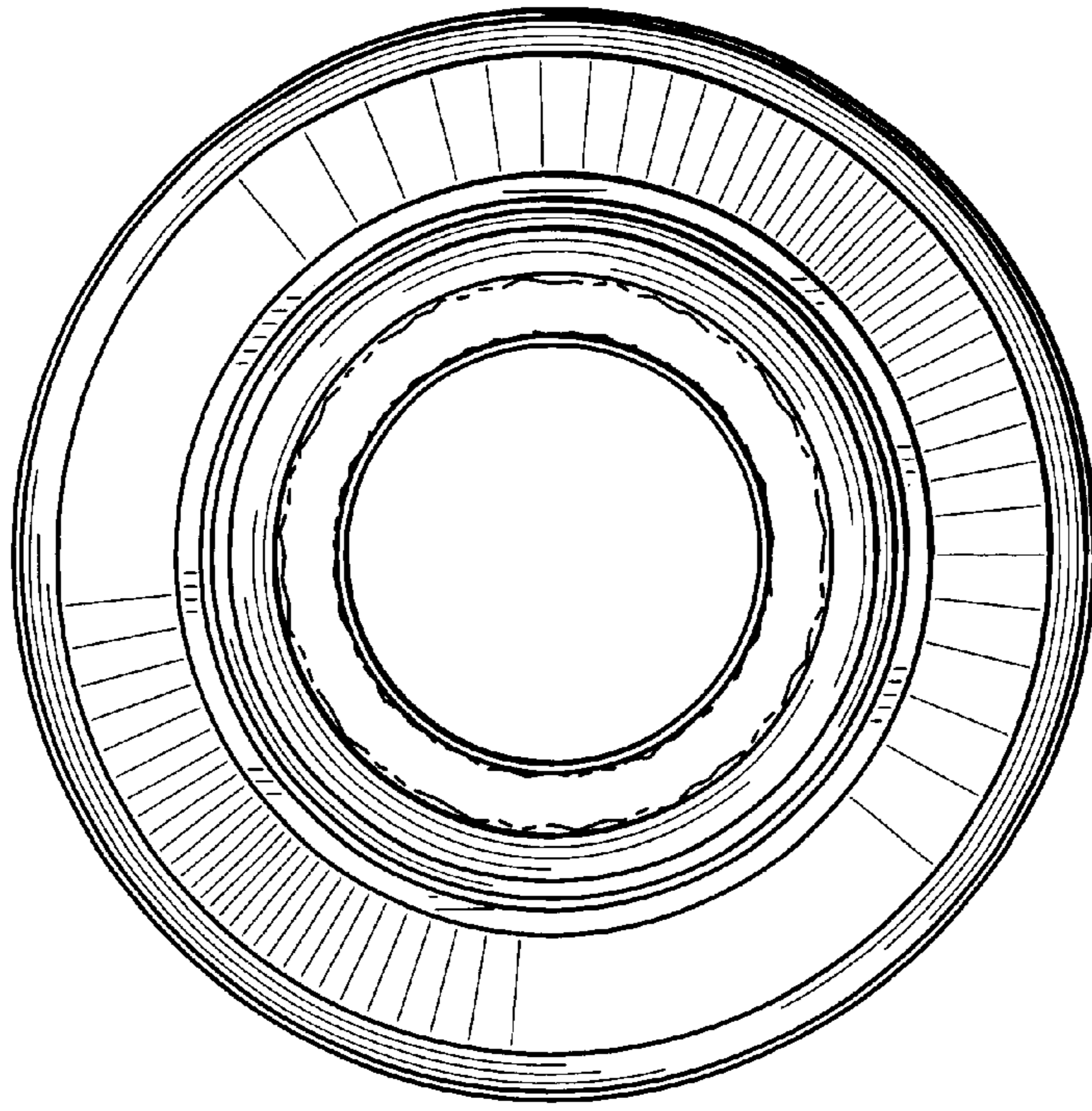


FIG. 8

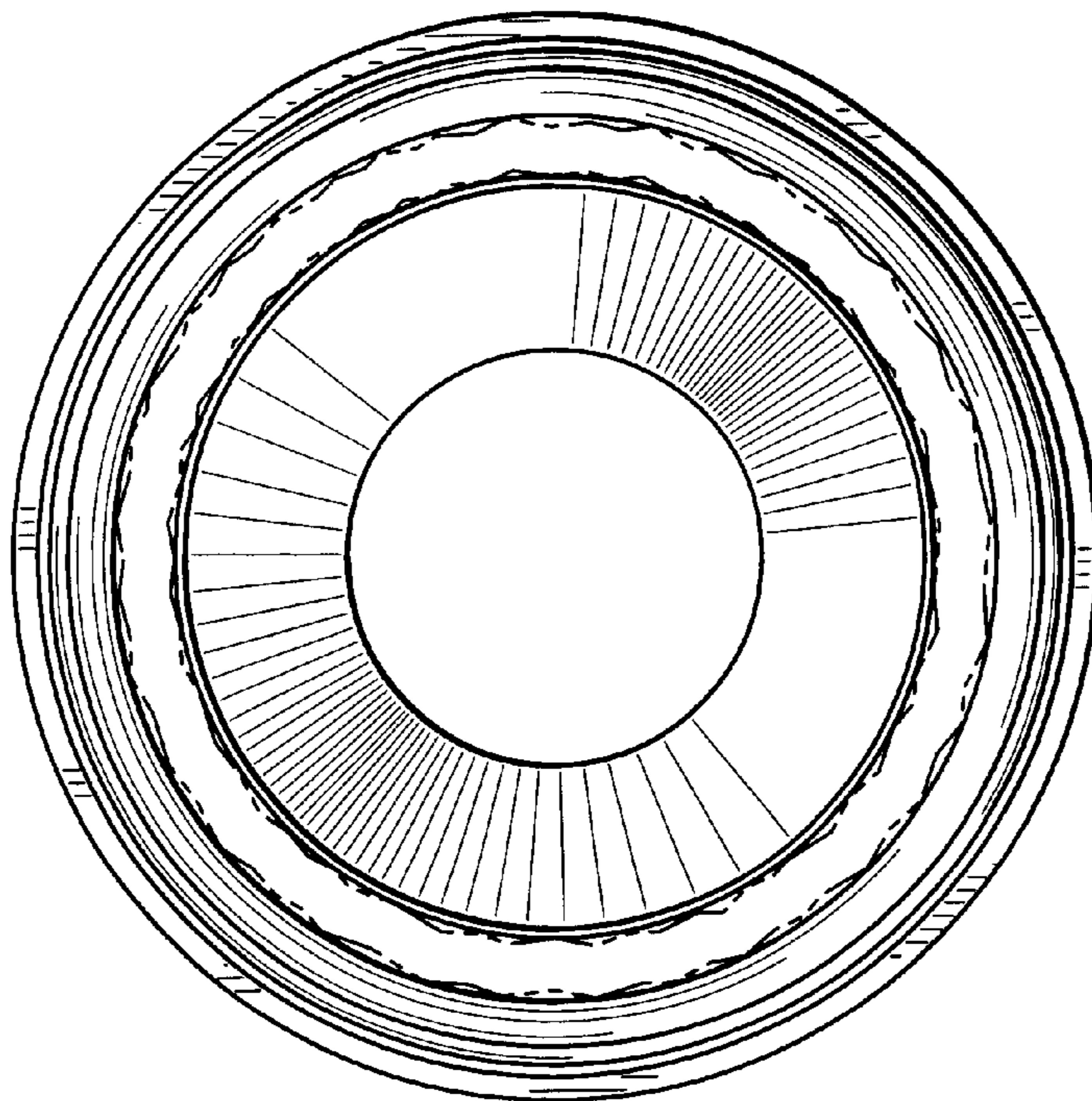


FIG. 7

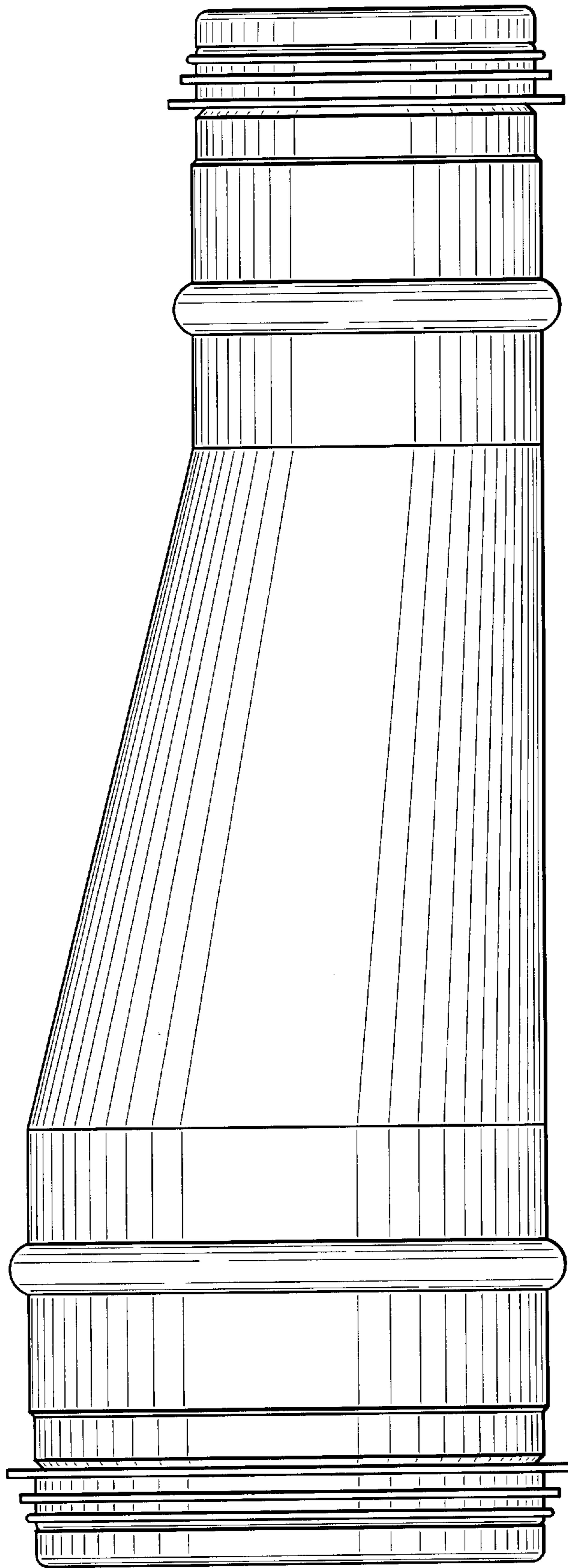


FIG. 9

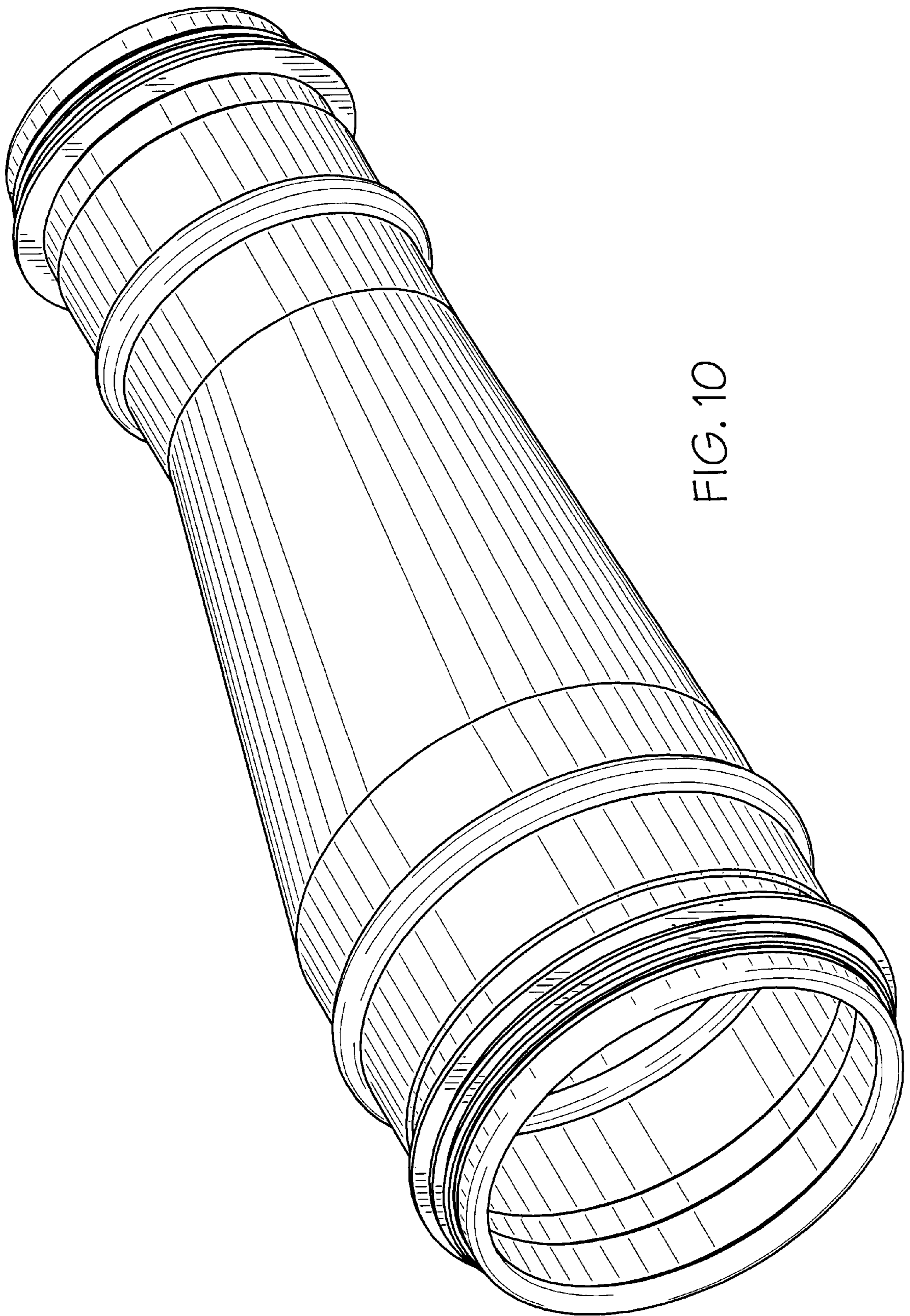


FIG. 10

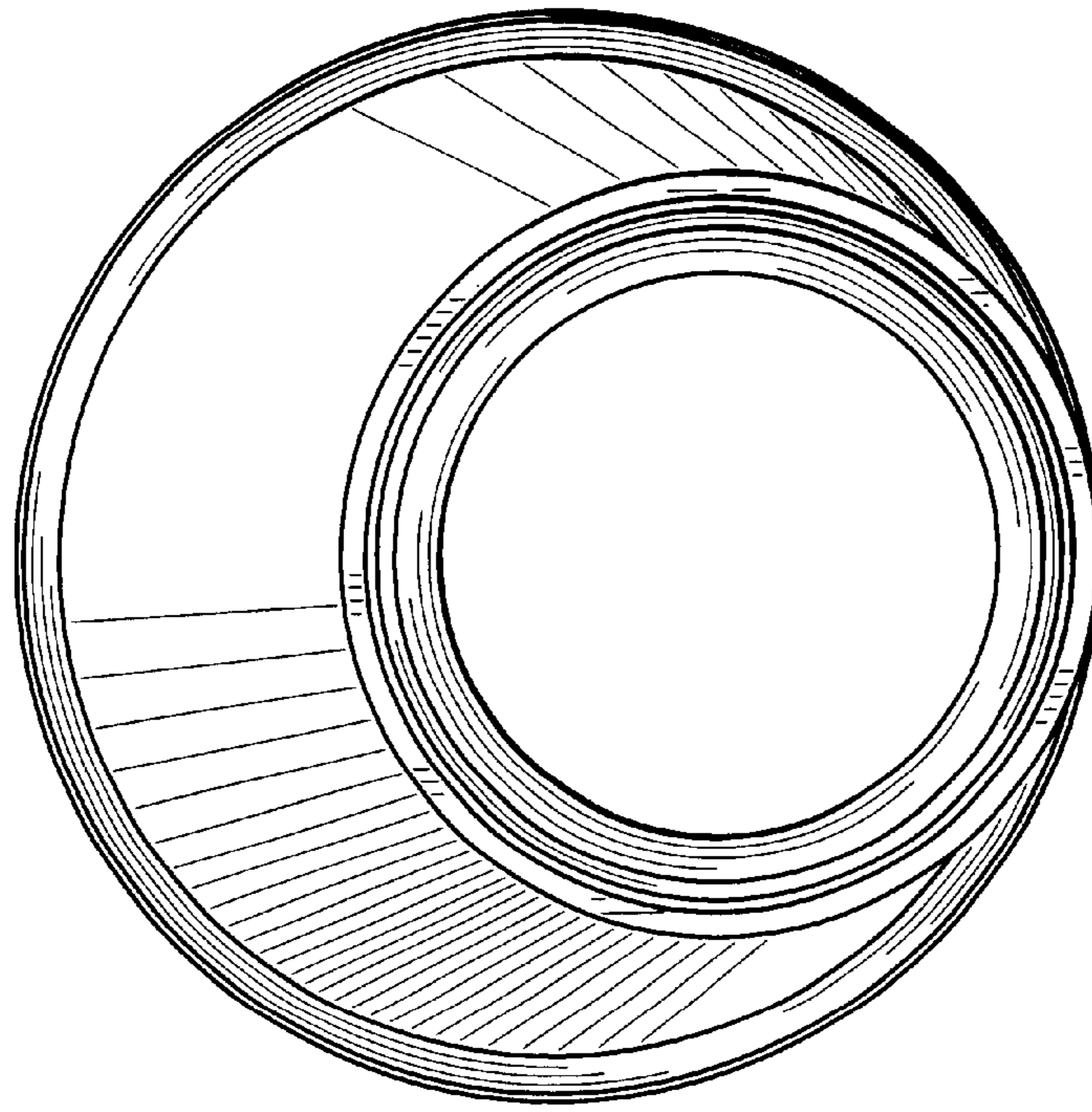


FIG. 12

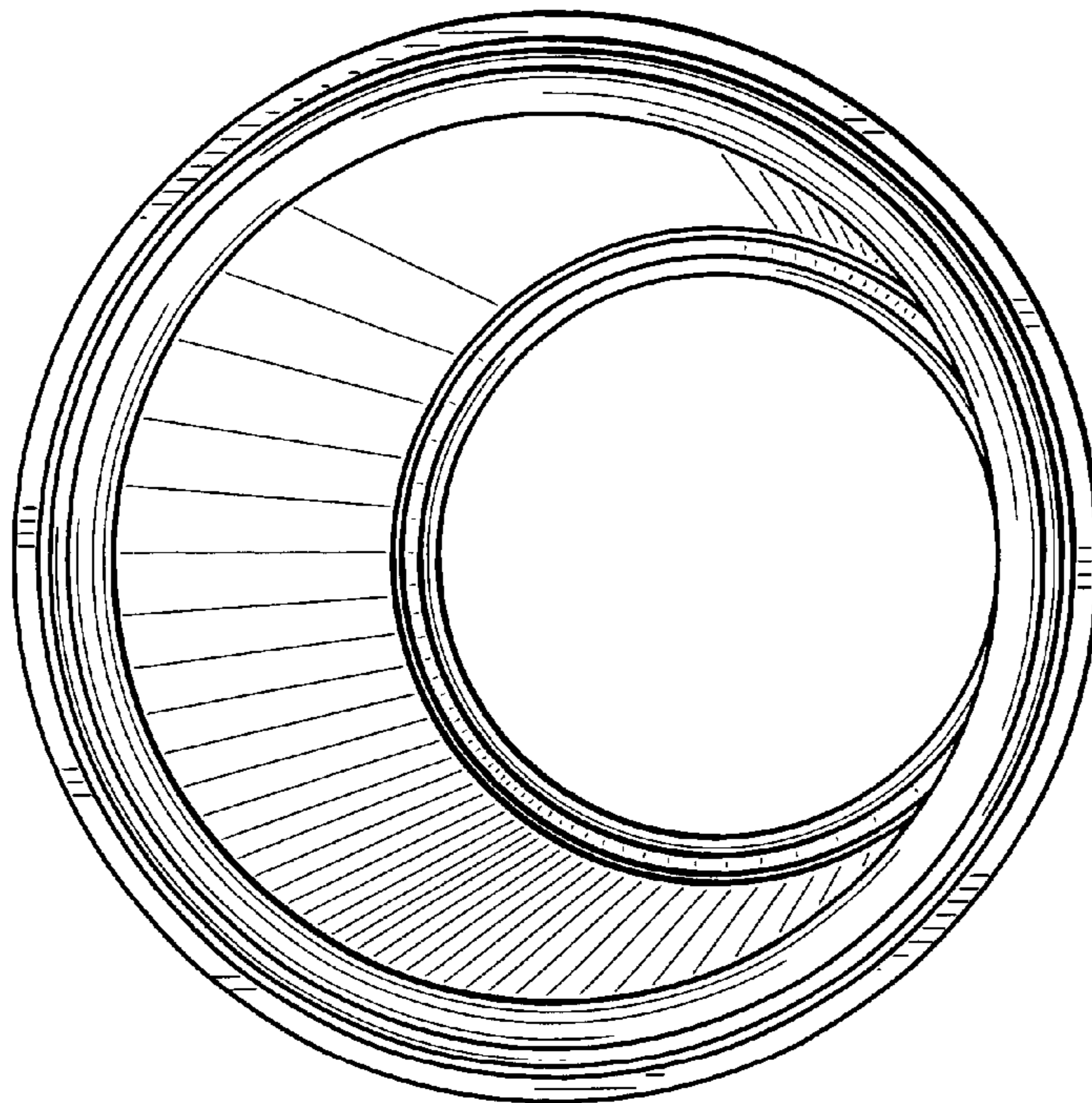


FIG. 11

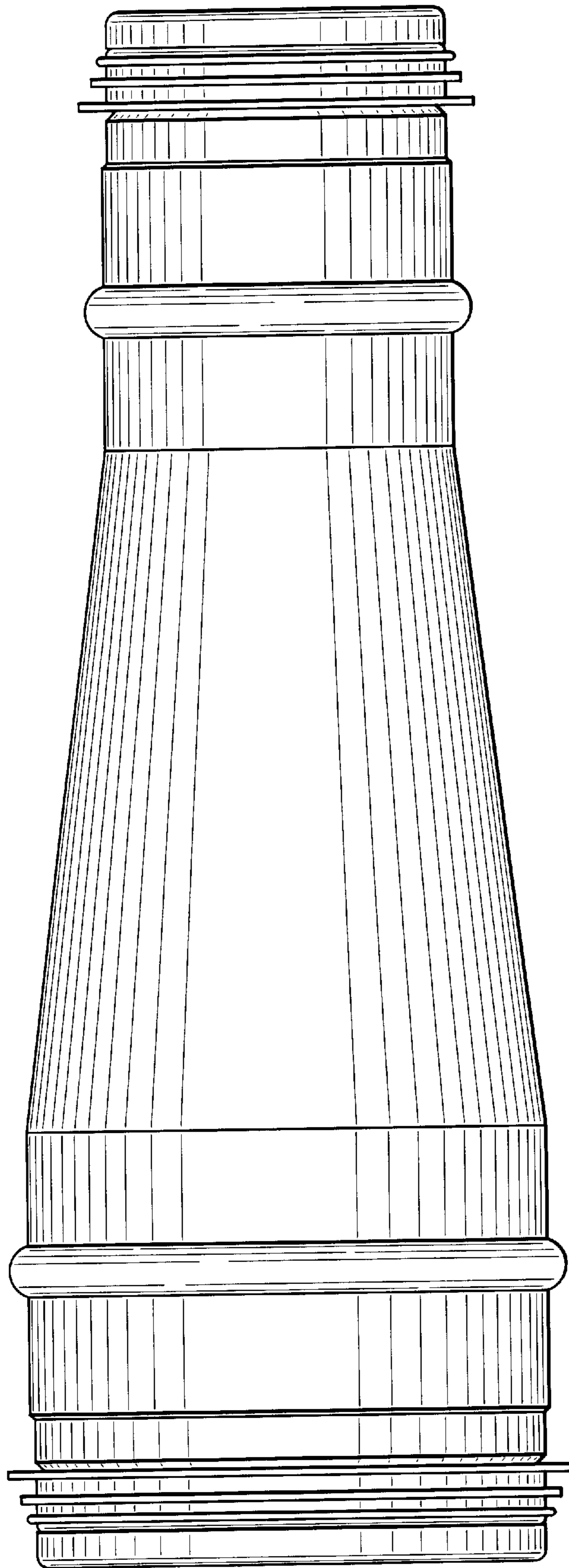


FIG. 13

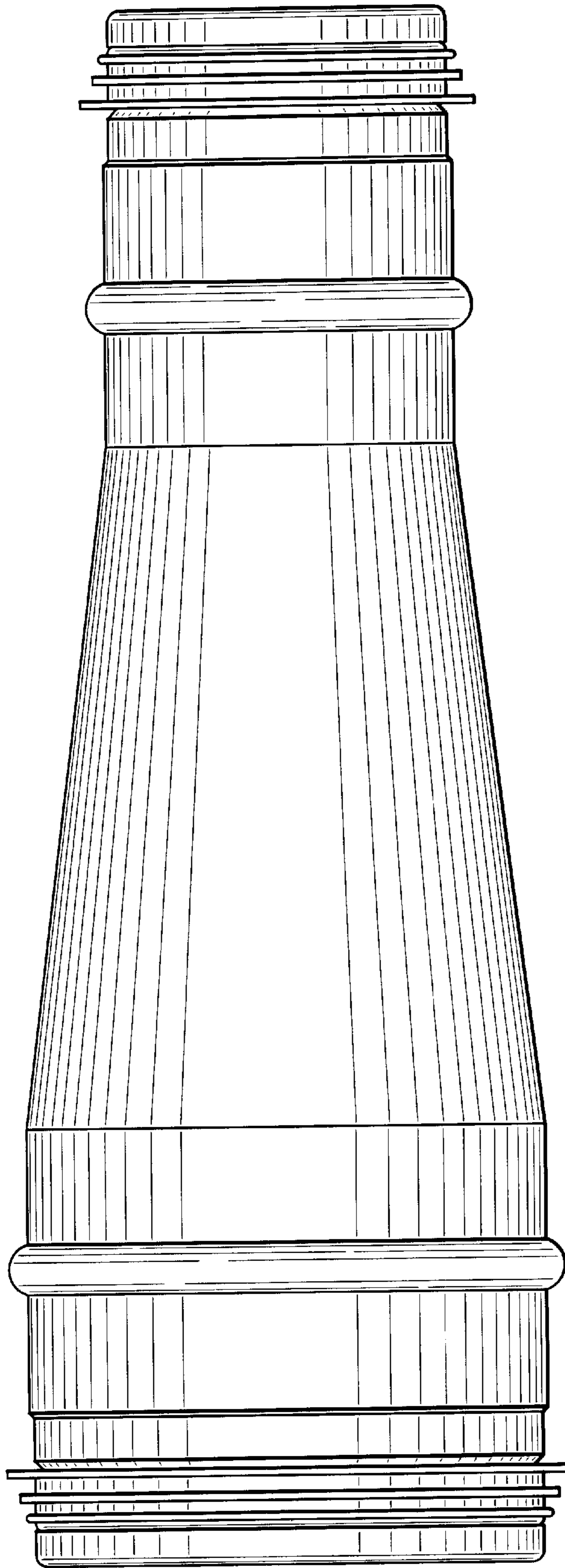


FIG. 14

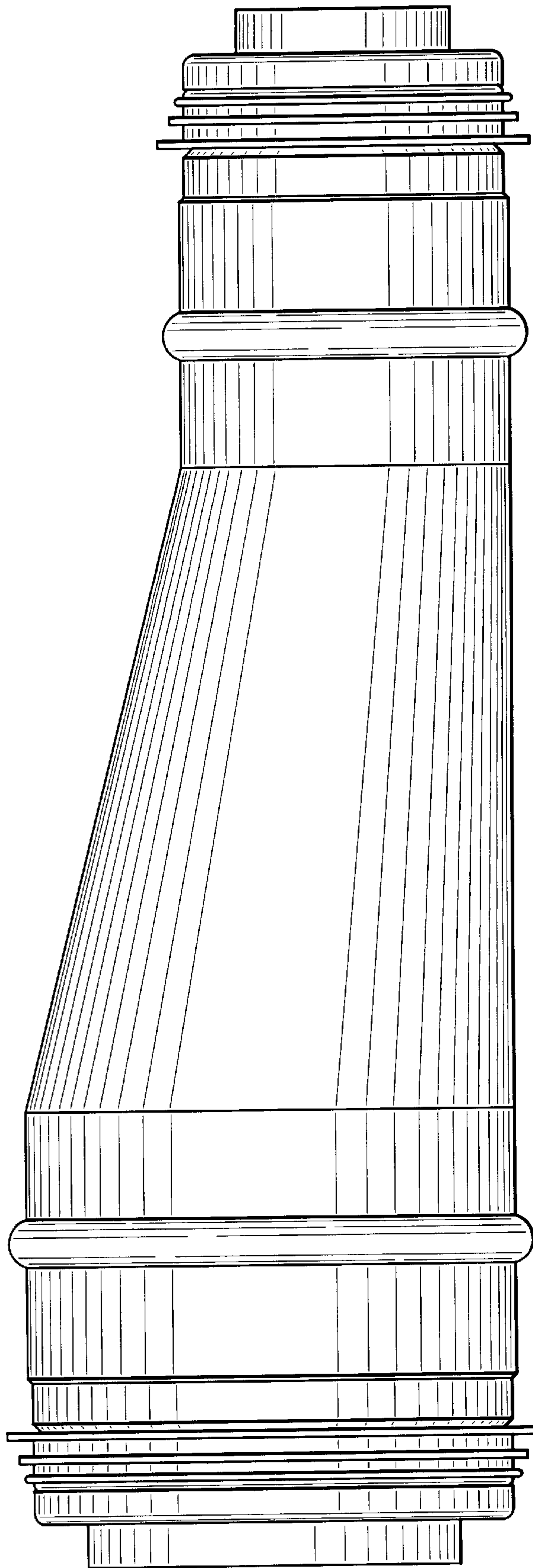


FIG. 15

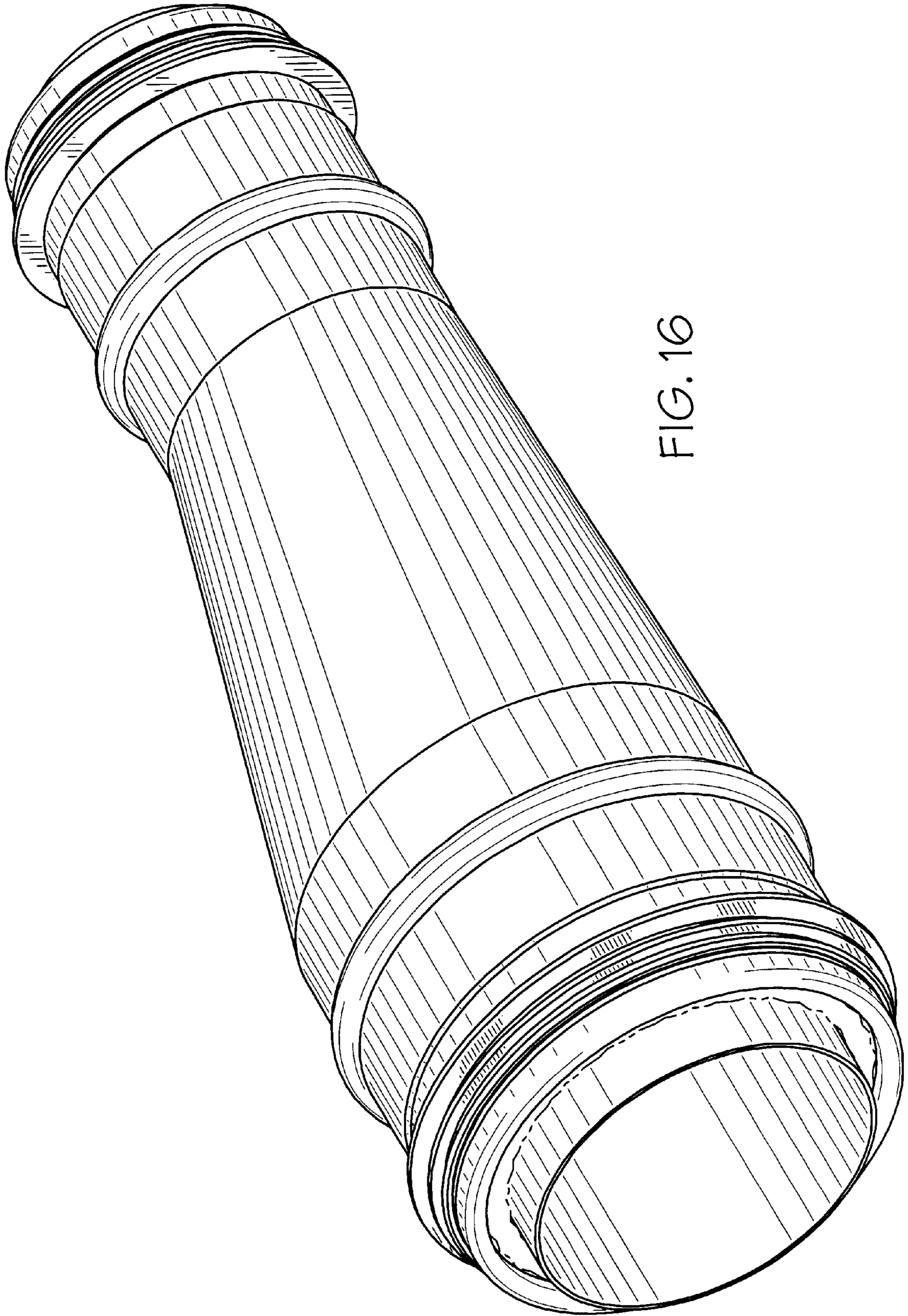


FIG. 16

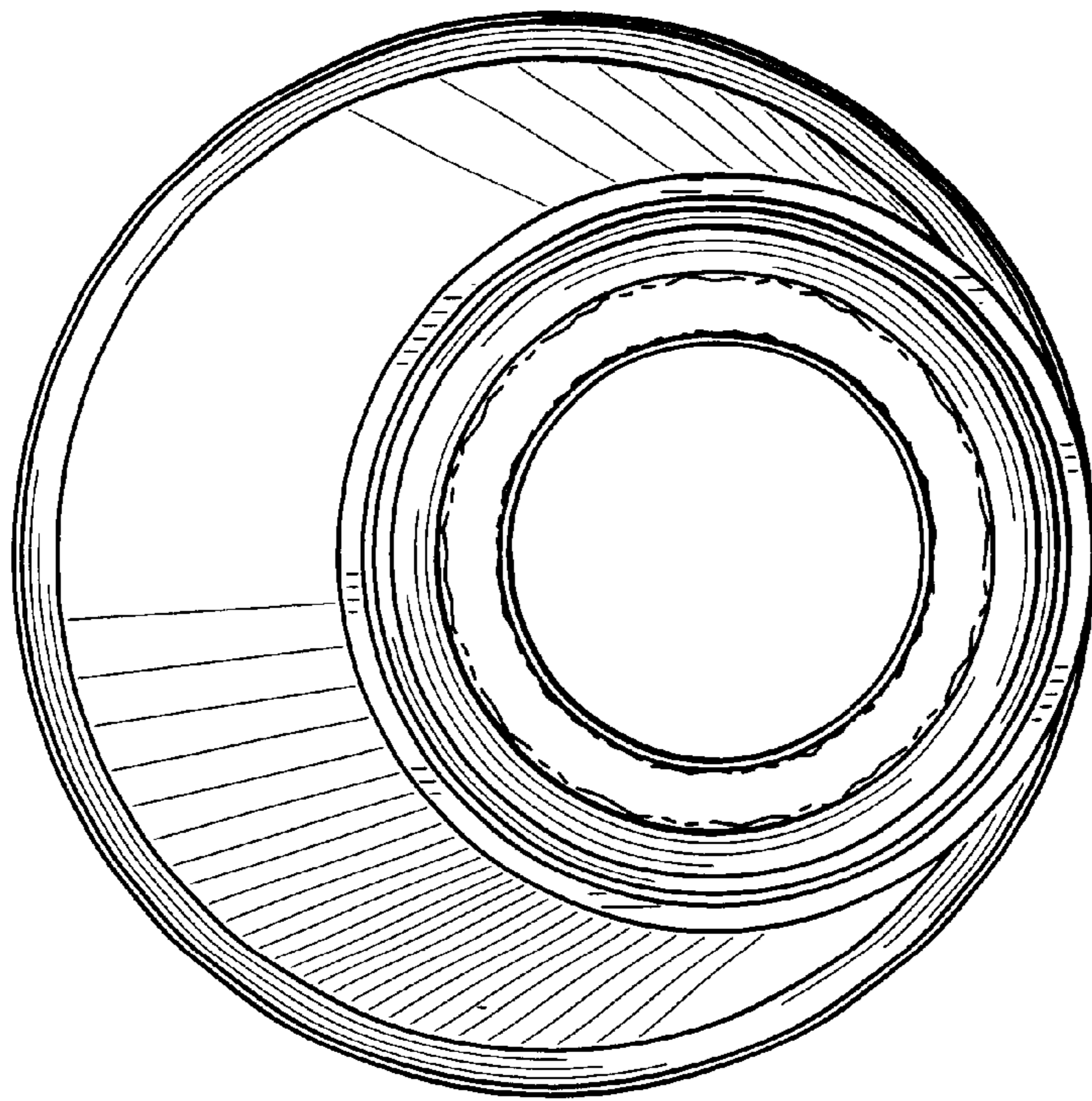


FIG. 18

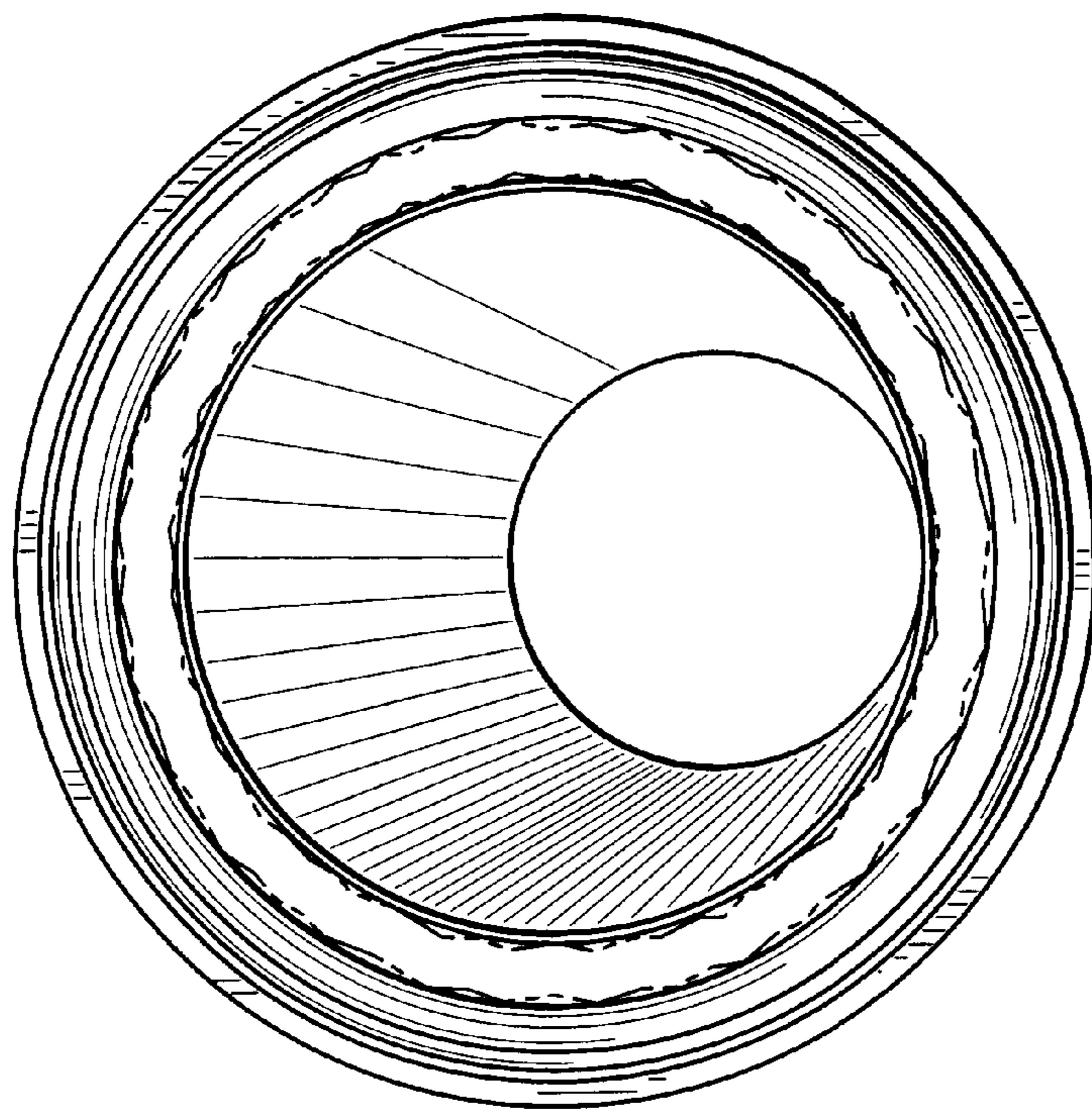


FIG. 17

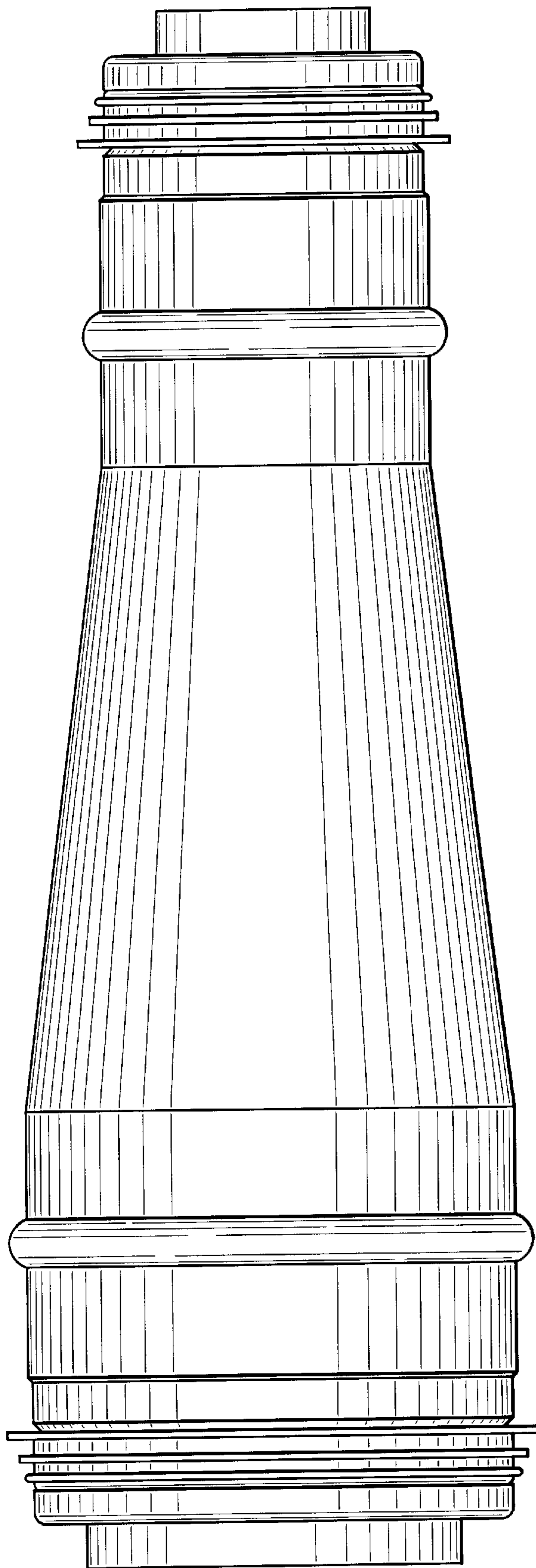


FIG. 19

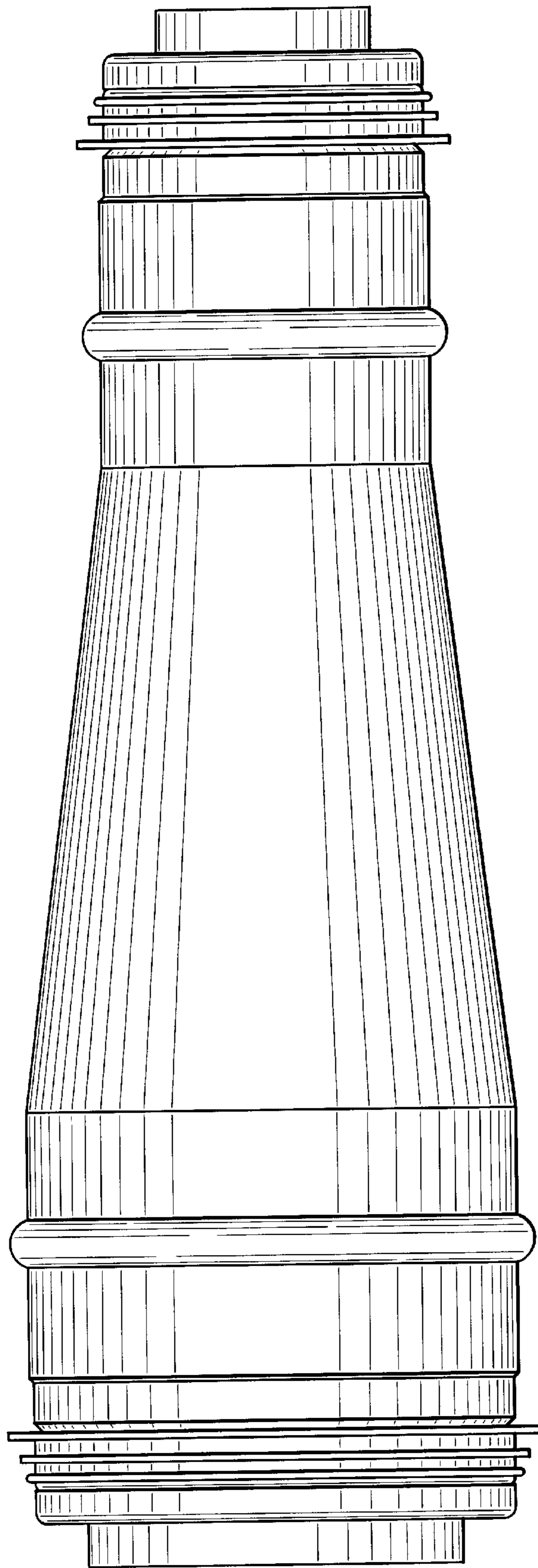


FIG. 20

UNITED STATES PATENT AND TRADEMARK OFFICE
CERTIFICATE OF CORRECTION

PATENT NO. : Des. 478,978 S
DATED : August 26, 2003
INVENTOR(S) : William K. Stout, Jr.

Page 1 of 5

It is certified that error appears in the above-identified patent and that said Letters Patent is hereby corrected as shown below:

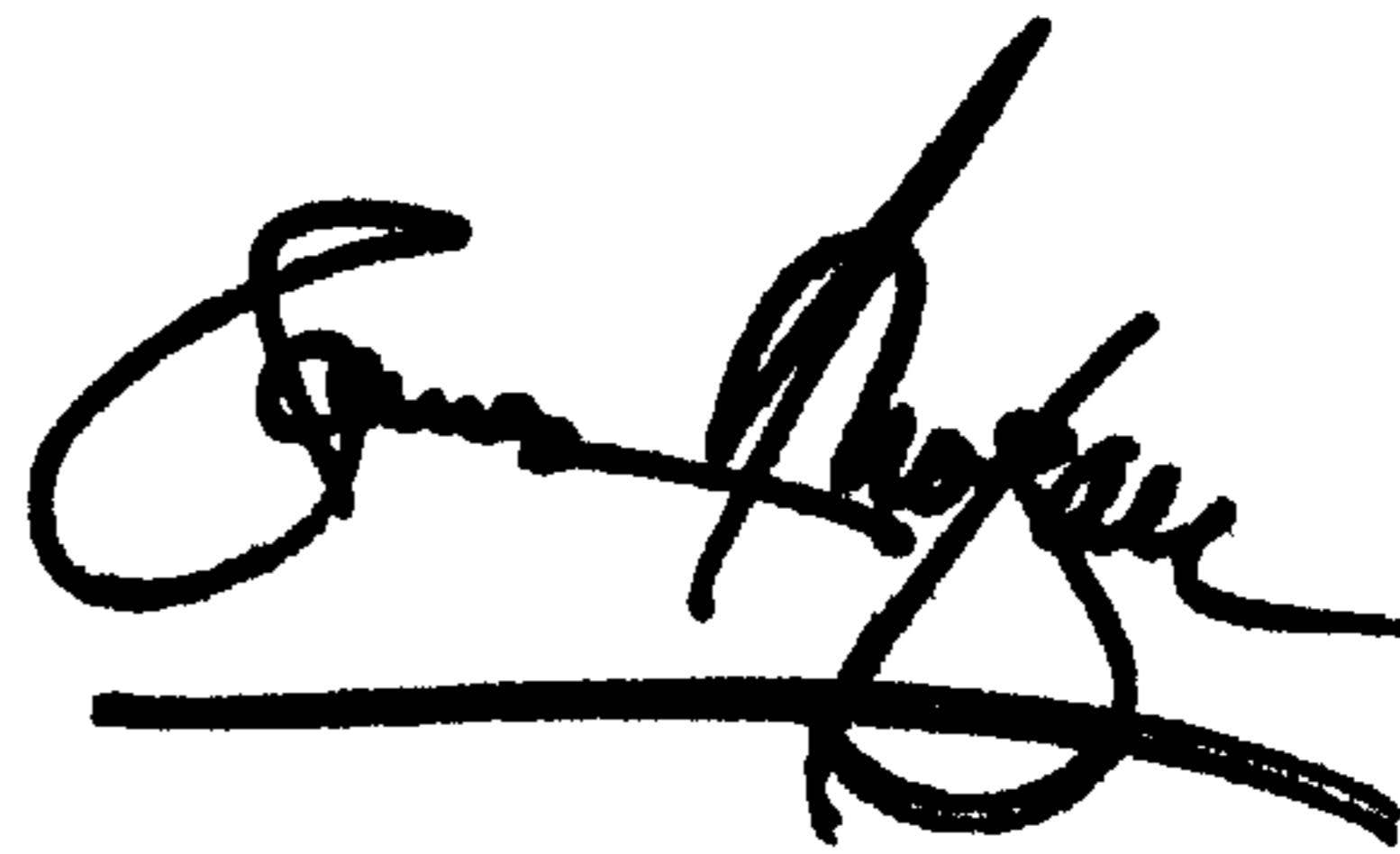
Drawings,

Replace sheets 2, 3, 8 and 9, with the attached sheets 2, 3, 8 and 9.

Replace representative figures 2 and 10, with the figures 2 and 10 found on attached sheets 2 and 8, respectively.

Signed and Sealed this

Twenty-third Day of December, 2003

A handwritten signature in black ink, appearing to read "James E. Rogan", with a horizontal line underneath.

JAMES E. ROGAN
Director of the United States Patent and Trademark Office

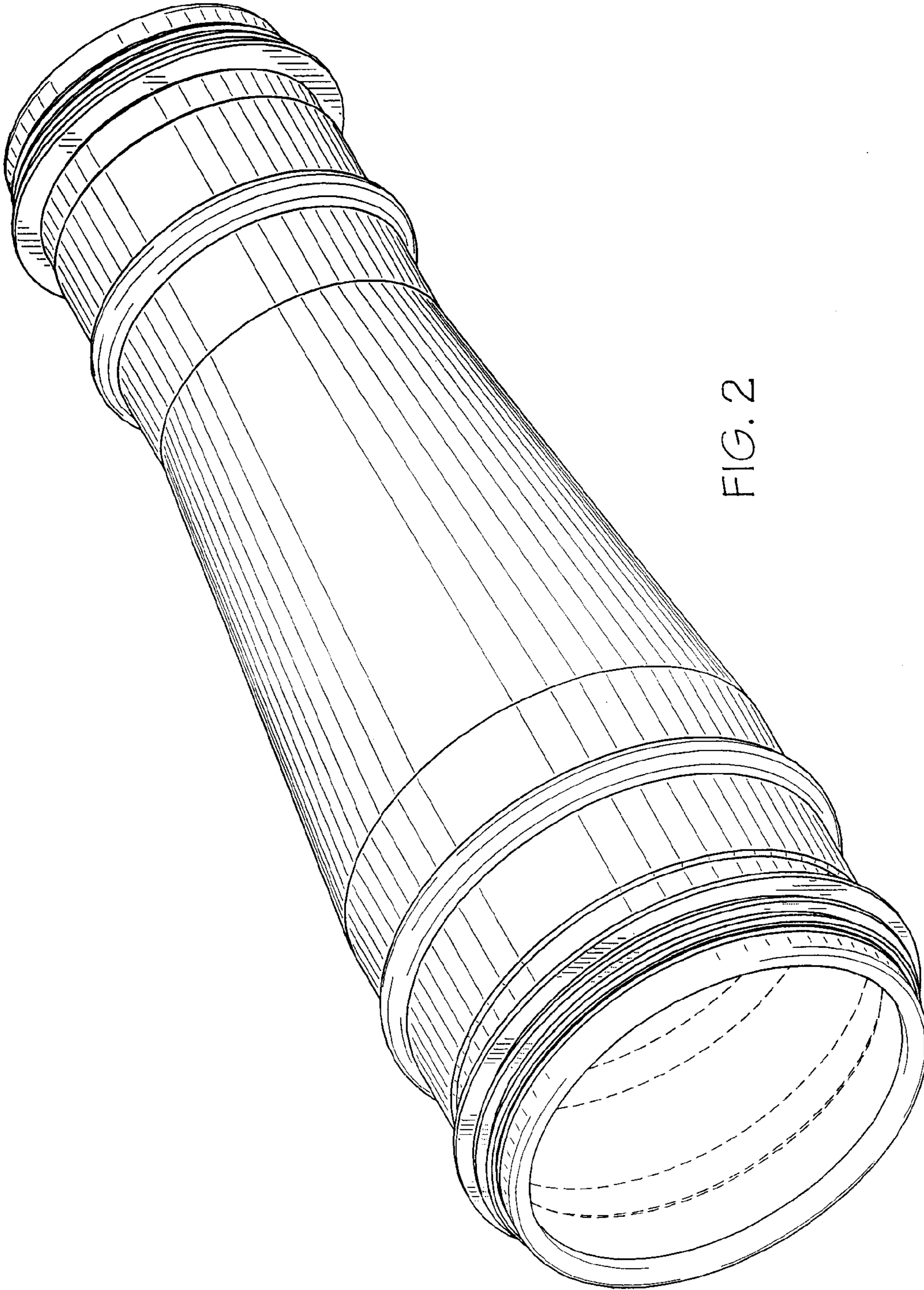


FIG. 2

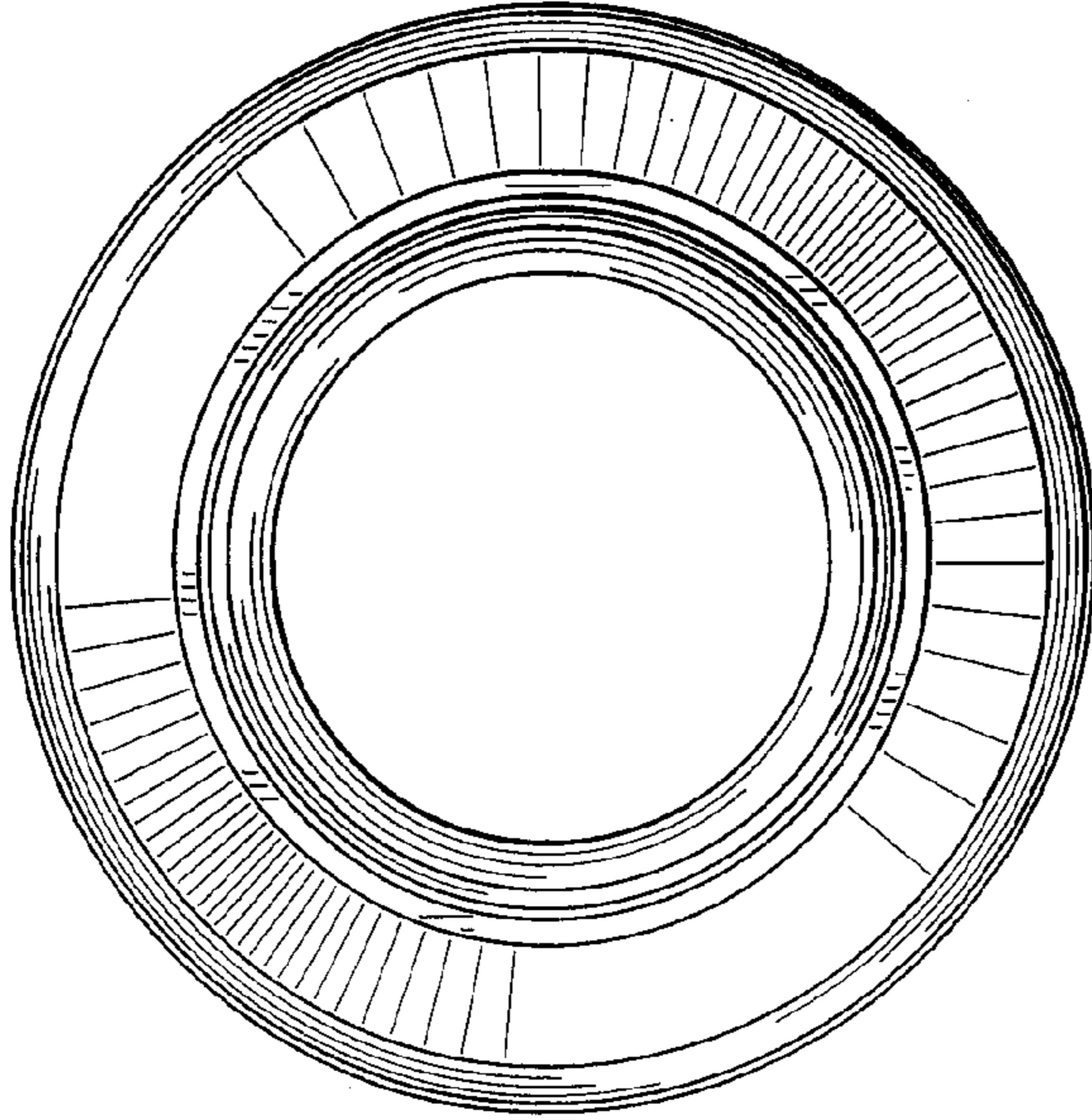


FIG. 4

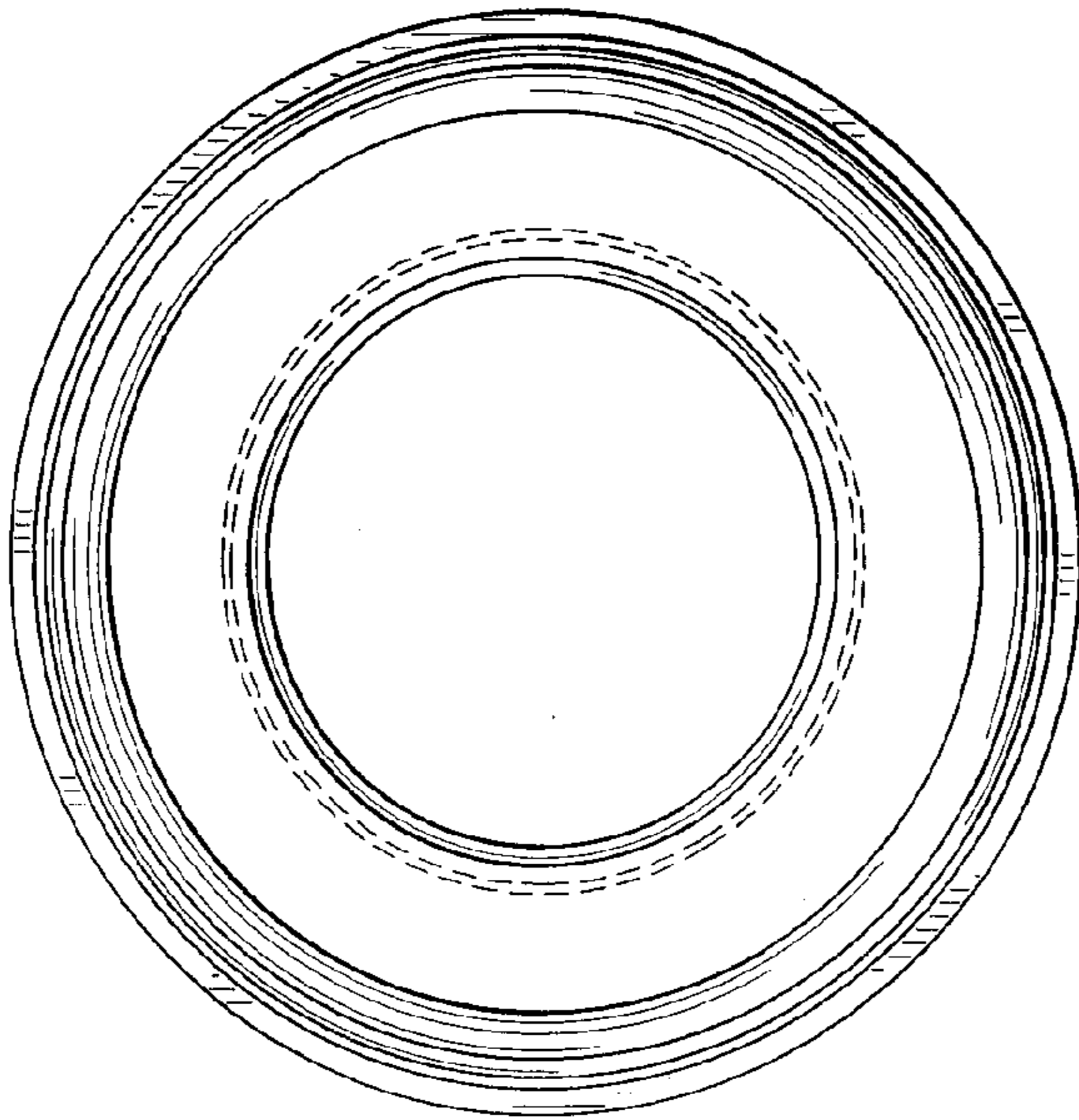


FIG. 3

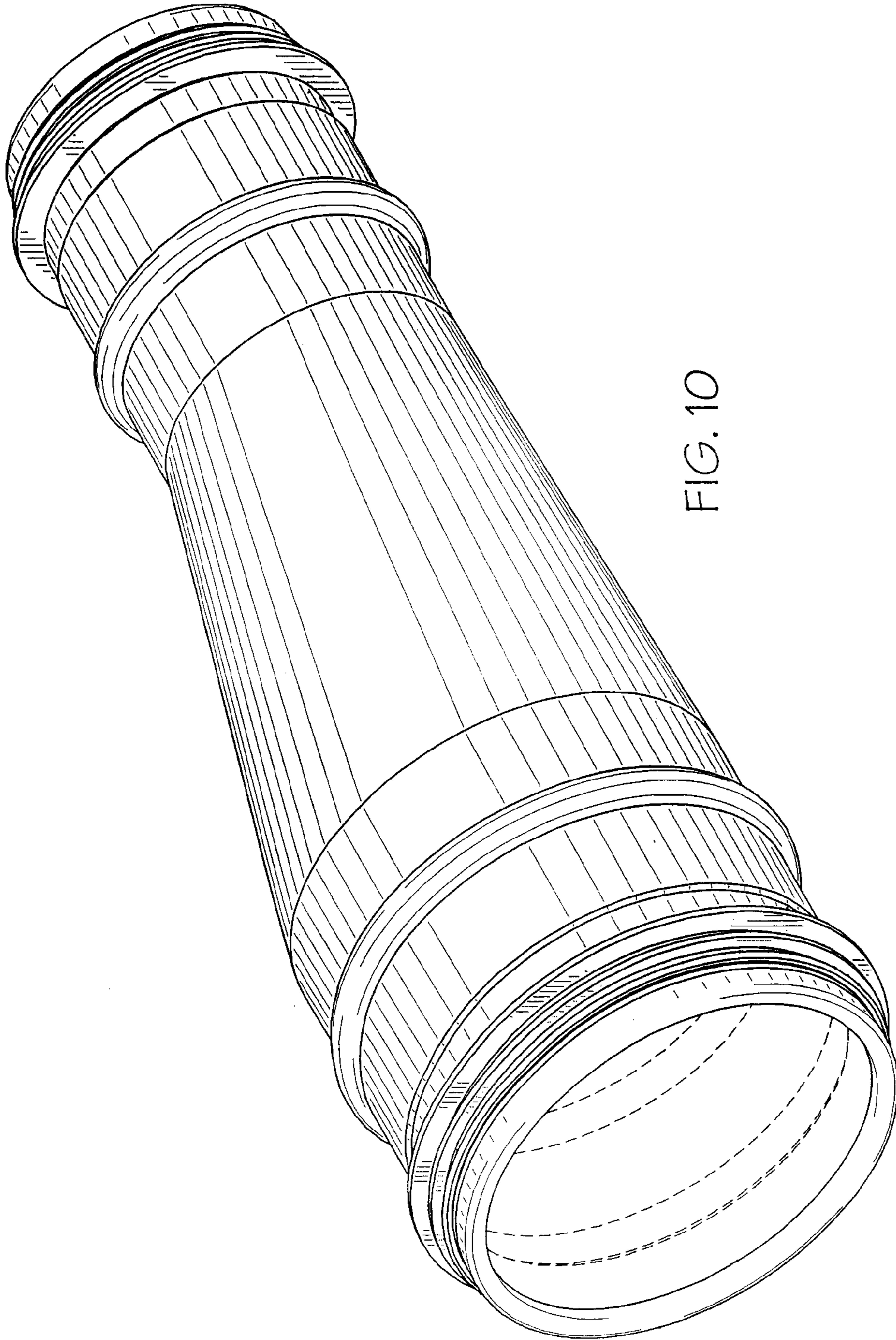


FIG. 10

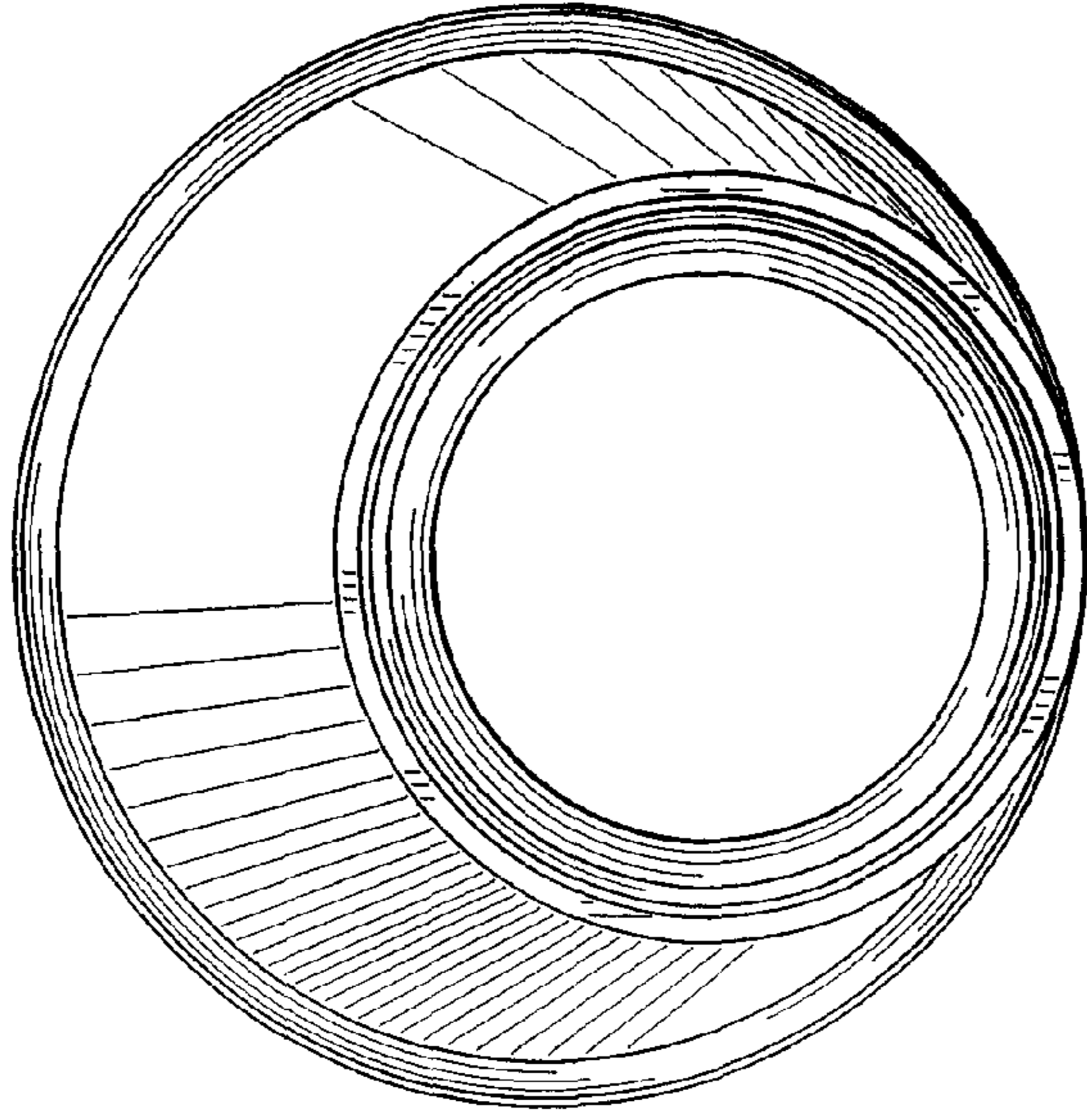


FIG. 12

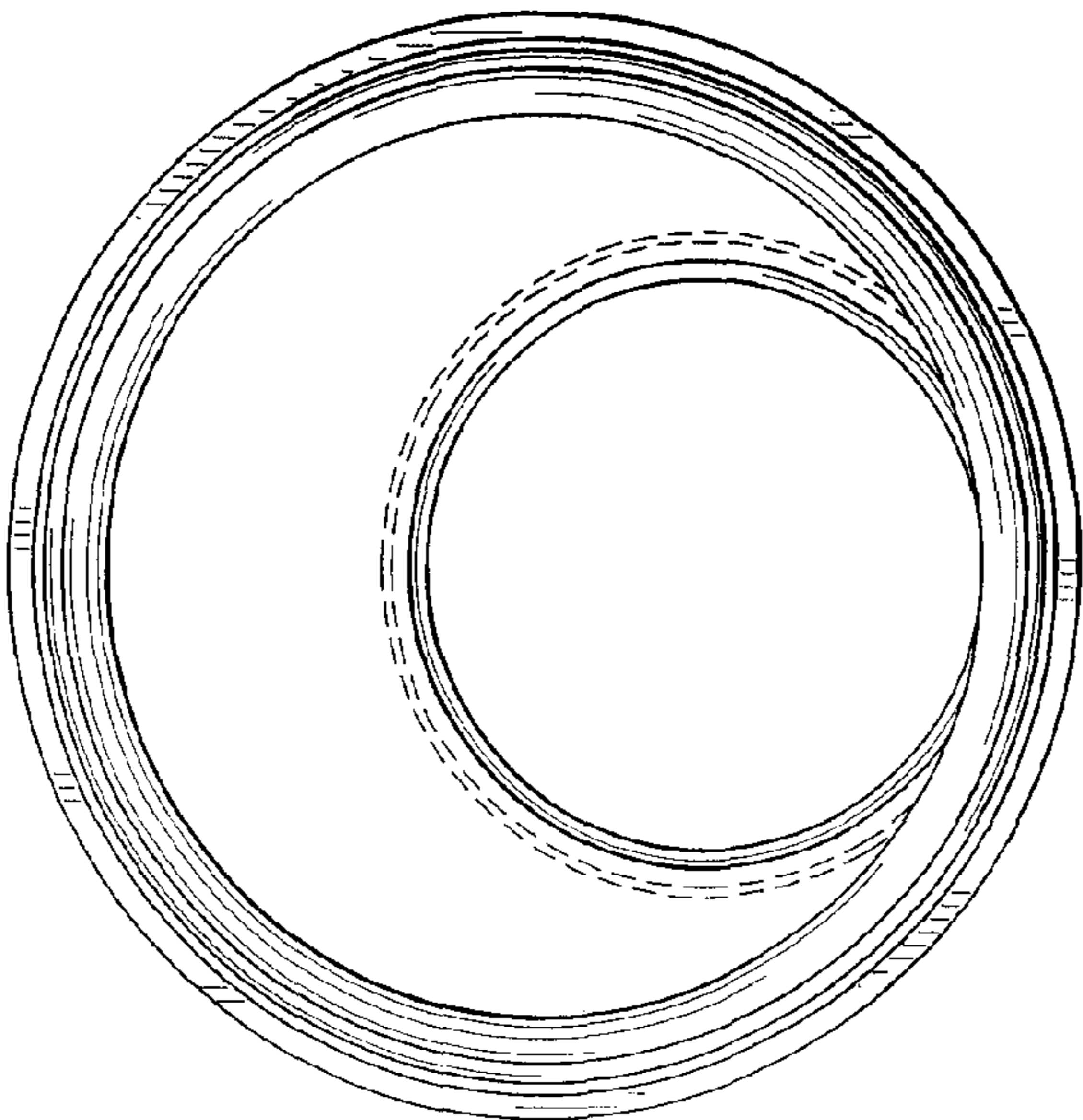


FIG. 11