



US00D478977S

(12) **United States Design Patent**  
**Snyder**

(10) **Patent No.:** **US D478,977 S**

(45) **Date of Patent:** **\*\* Aug. 26, 2003**

(54) **REGISTER COVER**  
(75) Inventor: **Darryl L. Snyder**, Canton, OH (US)  
(73) Assignee: **Snyder National Corporation**, Canton, OH (US)  
(\*\*) Term: **14 Years**

5,720,660 A 2/1998 Benedetto et al.  
D393,707 S \* 4/1998 Kelly ..... D23/386 X  
D394,901 S \* 6/1998 Governale et al. .... D23/354  
5,947,815 A 9/1999 Danforth  
6,066,044 A 5/2000 Orendorff  
6,149,514 A \* 11/2000 Maury ..... 454/276  
D451,214 S \* 11/2001 Gollob et al. .... D25/156  
D457,234 S \* 5/2002 OaHagin et al. .... D23/393  
6,461,235 B2 10/2002 Rutler et al.

(21) Appl. No.: **29/161,416**  
(22) Filed: **May 28, 2002**  
(51) **LOC (7) Cl.** ..... **23-04**  
(52) **U.S. Cl.** ..... **D23/388**  
(58) **Field of Search** ..... D23/306-390,  
D23/327, 354, 292, 293, 395, 421, 499;  
52/202, 95, 473; 416/244 R, 247 R; D25/153,  
156; 454/237, 292, 275-277; 49/62

\* cited by examiner

*Primary Examiner*—Louis S. Zarfaz  
*Assistant Examiner*—Robert A Delehanty  
(74) *Attorney, Agent, or Firm*—Sand & Sebolt

(56) **References Cited**

**U.S. PATENT DOCUMENTS**

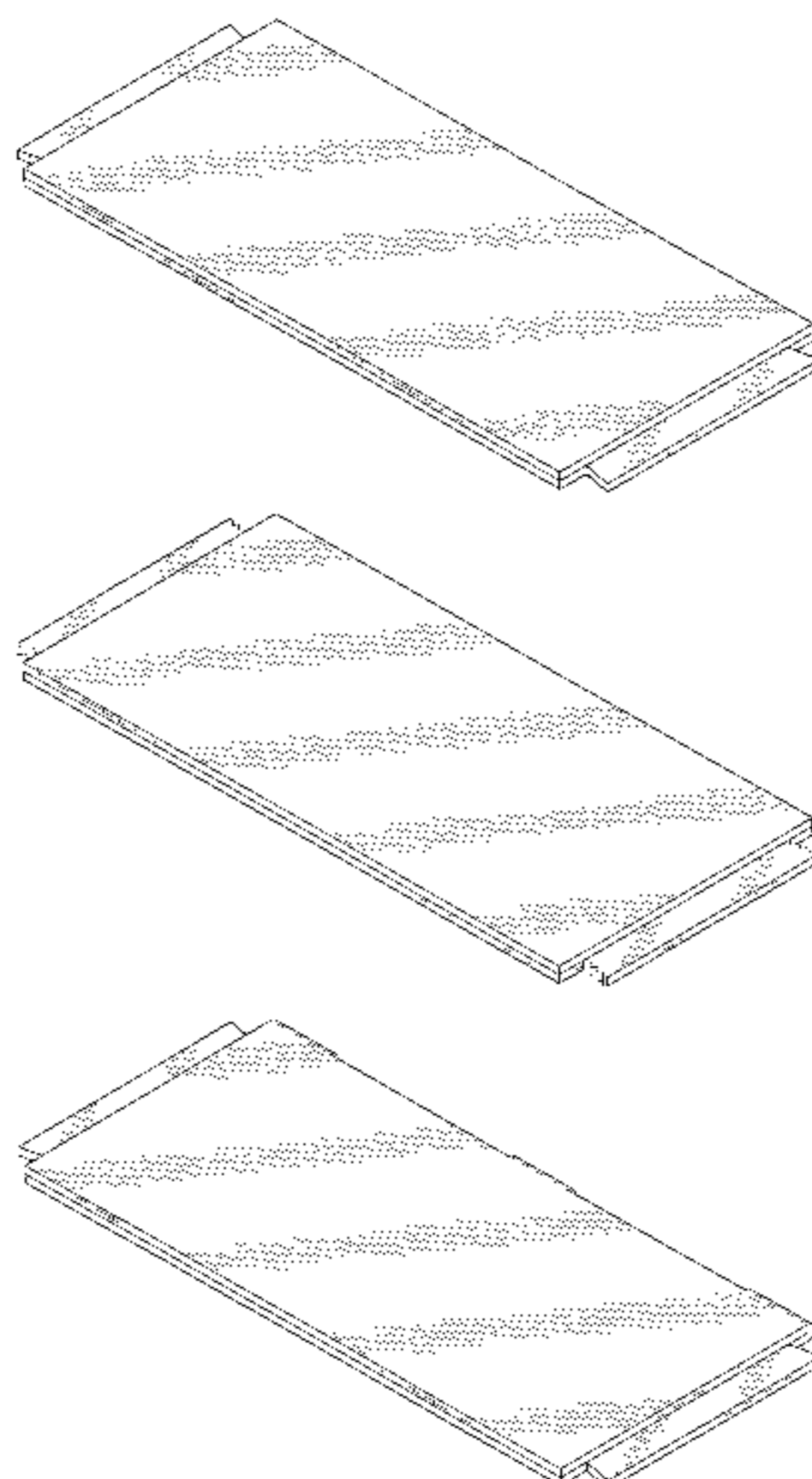
674,991 A 5/1901 Williams  
1,274,996 A 8/1918 Davis  
1,429,811 A 9/1922 Tynan  
1,488,694 A 4/1924 Marks  
1,911,851 A 5/1933 Scholtz  
2,080,726 A 5/1937 Lowinger  
2,229,388 A 1/1941 Postlewait  
2,743,660 A 5/1956 Scherff  
2,889,900 A \* 6/1959 Singleton ..... 49/62  
3,232,205 A 2/1966 Bumstead  
3,589,265 A 6/1971 Hedrick  
4,007,672 A \* 2/1977 Luckey ..... 52/95 X  
4,502,368 A 3/1985 Hempel  
4,712,343 A 12/1987 Dearing et al.  
4,773,197 A 9/1988 Sullivan  
4,773,308 A 9/1988 Allen, Jr.  
4,788,805 A \* 12/1988 Shaw ..... 52/202  
4,829,886 A 5/1989 Battaglin  
5,100,445 A 3/1992 Johnson et al.  
5,180,331 A 1/1993 Daw et al.  
5,266,091 A 11/1993 McDonald  
5,503,181 A 4/1996 Kennedy  
5,542,223 A 8/1996 Inda et al.  
5,597,392 A 1/1997 Hawkins et al.

(57) **CLAIM**  
The ornamental design for a register cover, as shown and described.

**DESCRIPTION**

FIG. 1 is a perspective view showing a first embodiment of the register cover showing my new design.  
FIG. 2 is a top plan view of FIG. 1.  
FIG. 3 is a front elevation view of FIG. 2.  
FIG. 4 is a right side view of FIG. 2; the left side being a mirror image thereof.  
FIG. 5 is a bottom plan view of FIG. 2.  
FIG. 6 is a perspective view of a second embodiment of the register cover showing my new design.  
FIG. 7 is a top plan view of FIG. 6.  
FIG. 8 is a front elevation view of FIG. 7.  
FIG. 9 is a right side elevation view of FIG. 7; the left side being a mirror image thereof.  
FIG. 10 is a bottom plan view of FIG. 7.  
FIG. 11 is a perspective view of a third embodiment of the register cover showing my new design.  
FIG. 12 is a top plan view of FIG. 11.  
FIG. 13 is a front elevation view of FIG. 12.  
FIG. 14 is a rear elevation view of FIG. 12.  
FIG. 15 is a right side elevation view of FIG. 12; the left side being a mirror image thereof; and,  
FIG. 16 is a bottom plan view of FIG. 12.

**1 Claim, 9 Drawing Sheets**



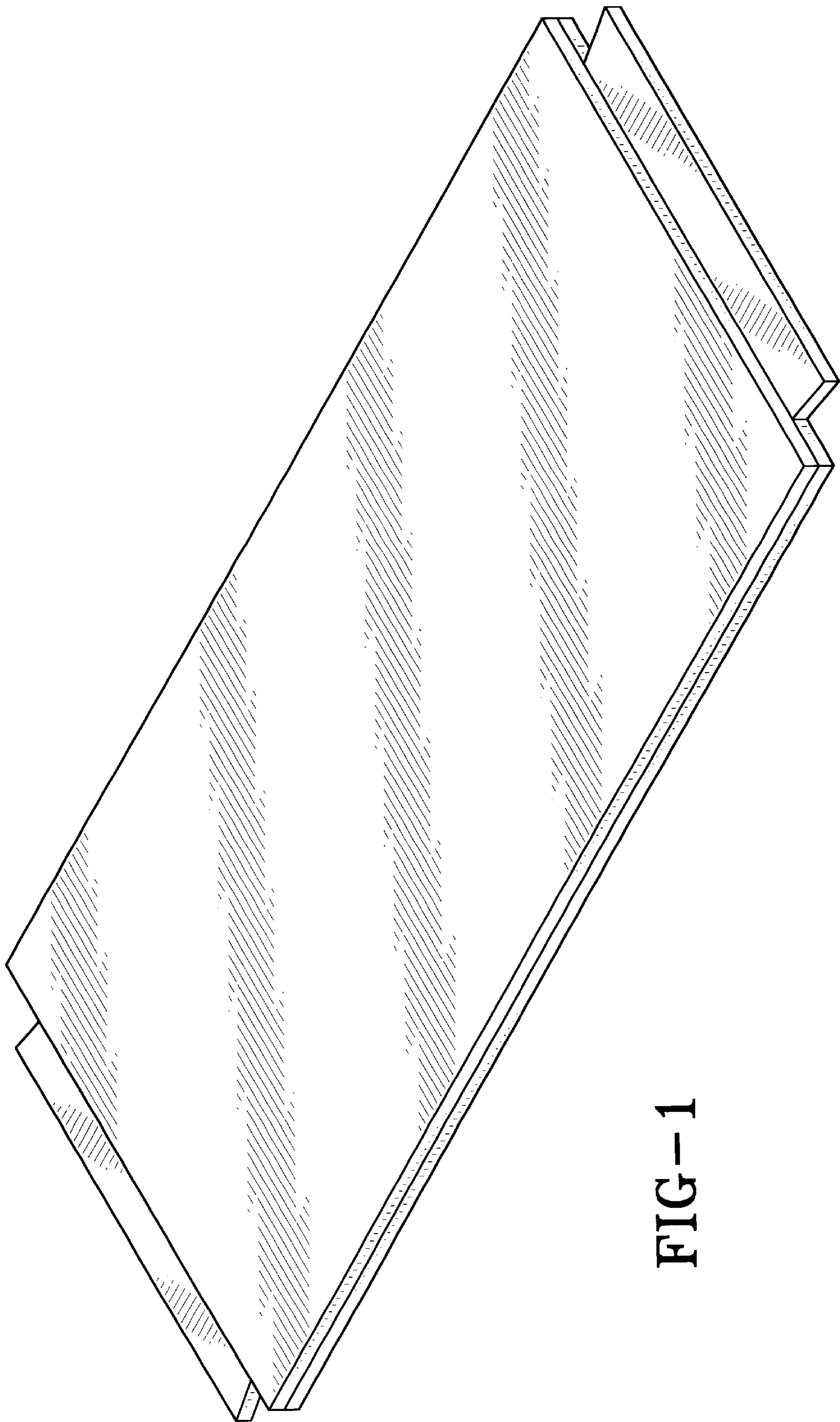


FIG-1

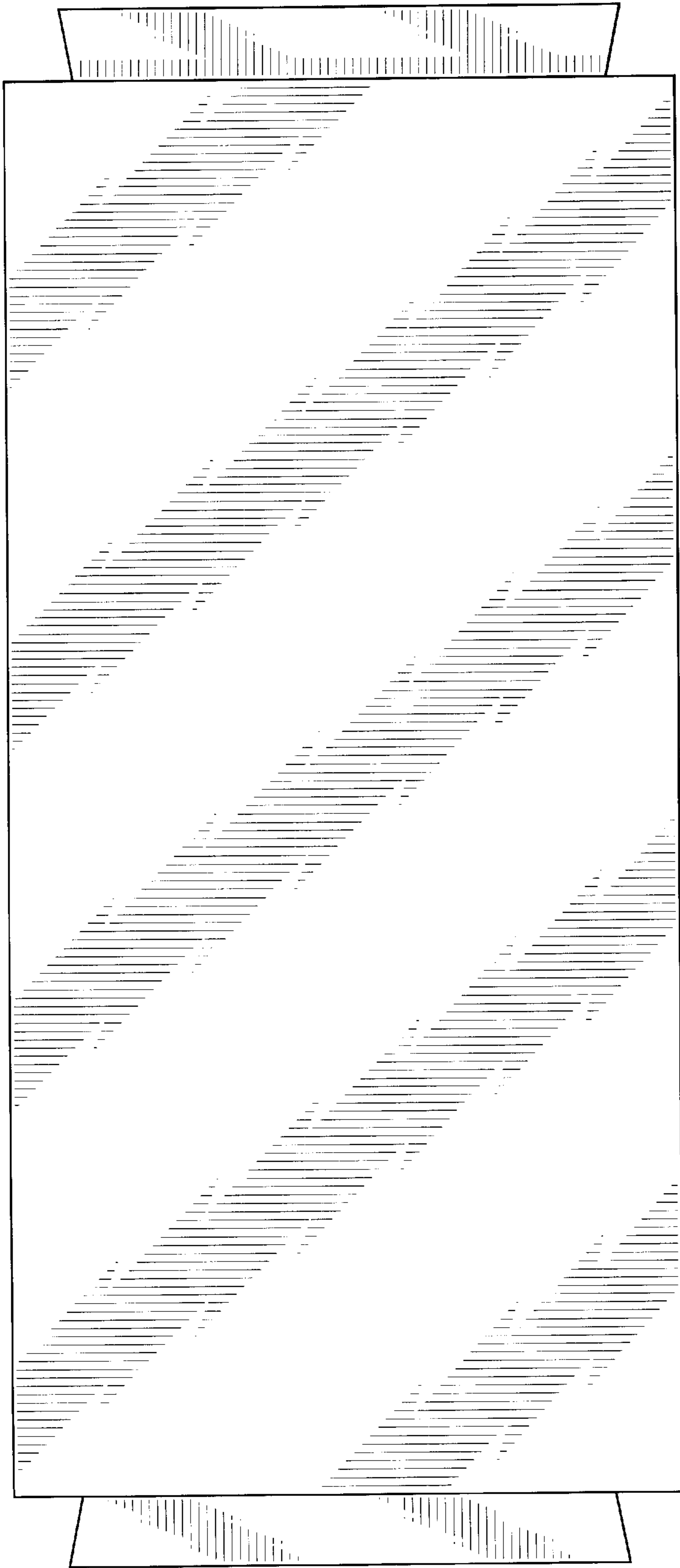


FIG-2



FIG-3



FIG-4

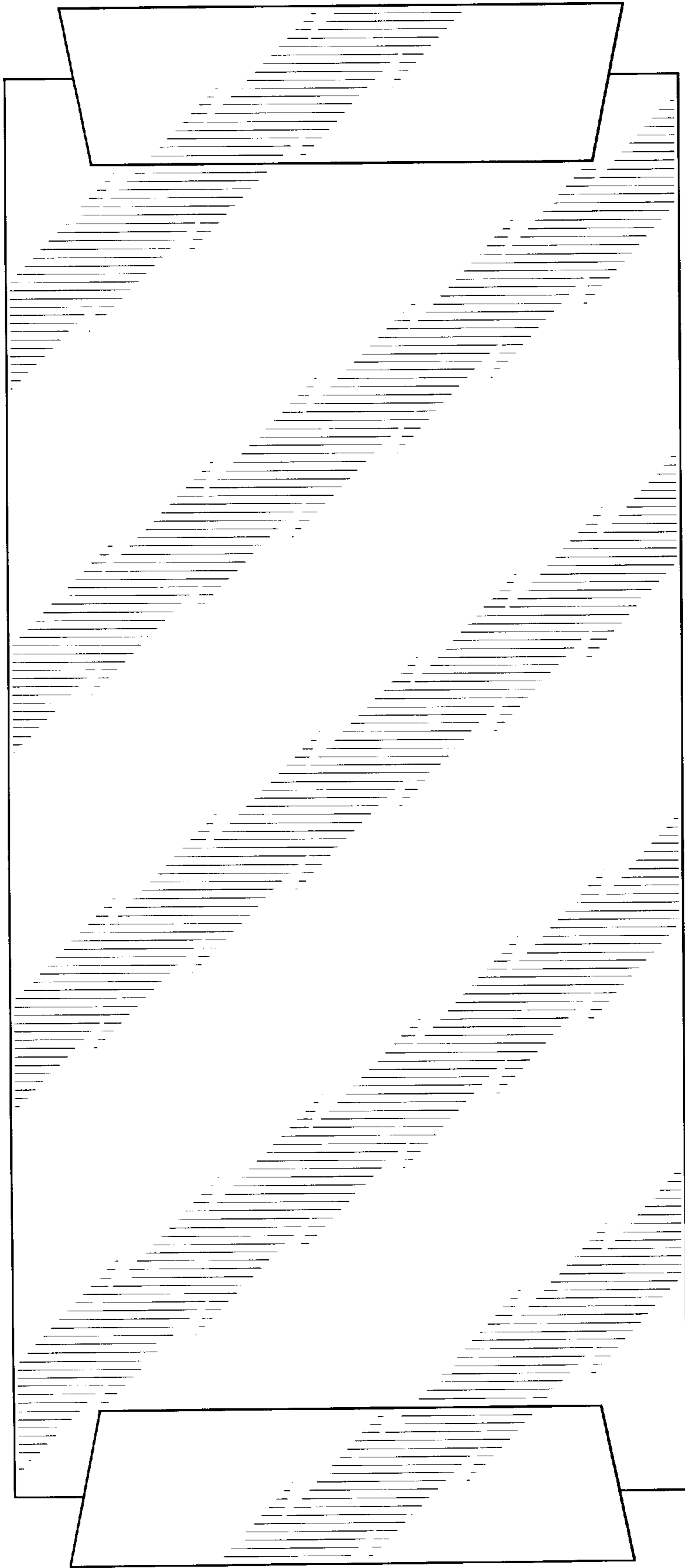


FIG-5



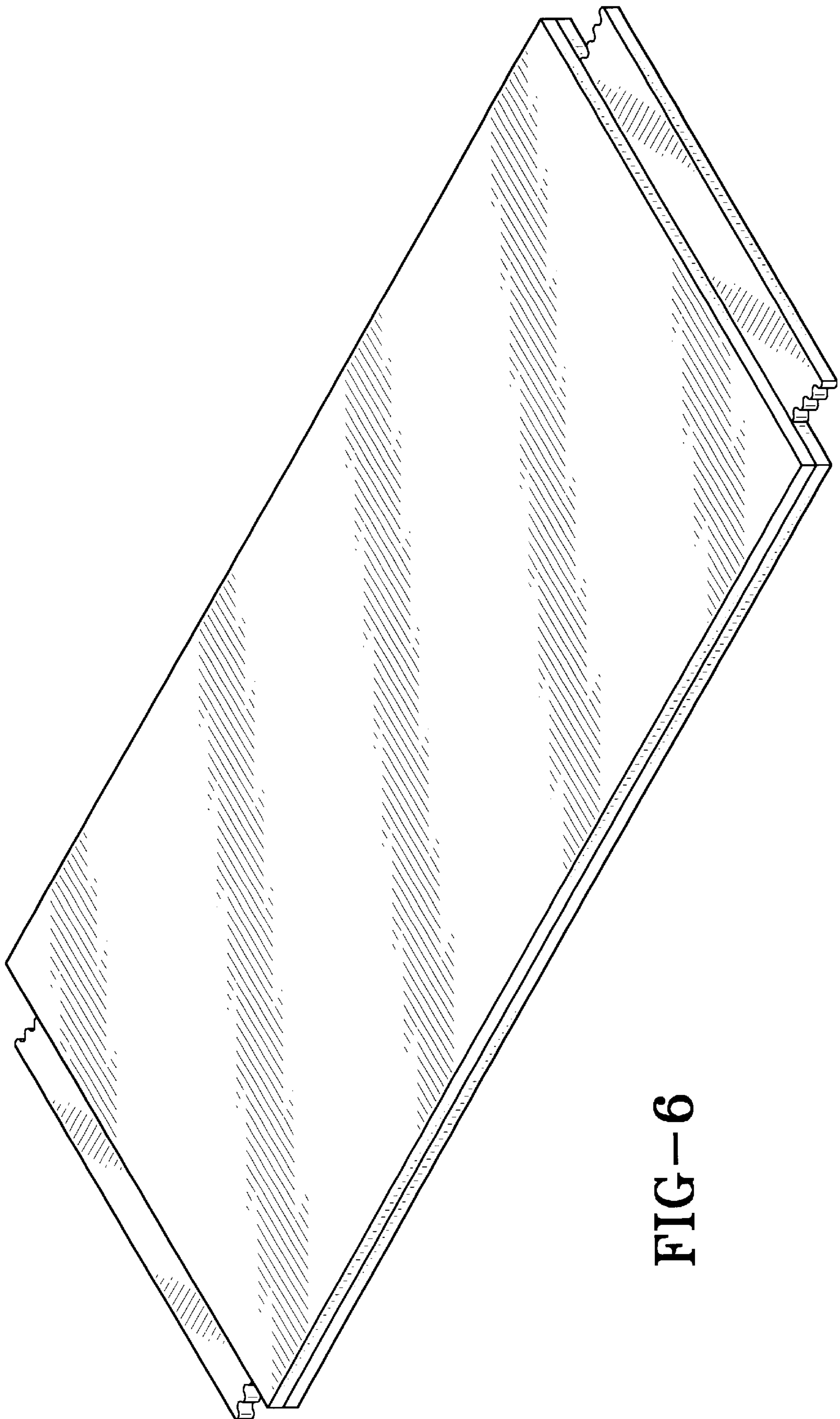


FIG-6

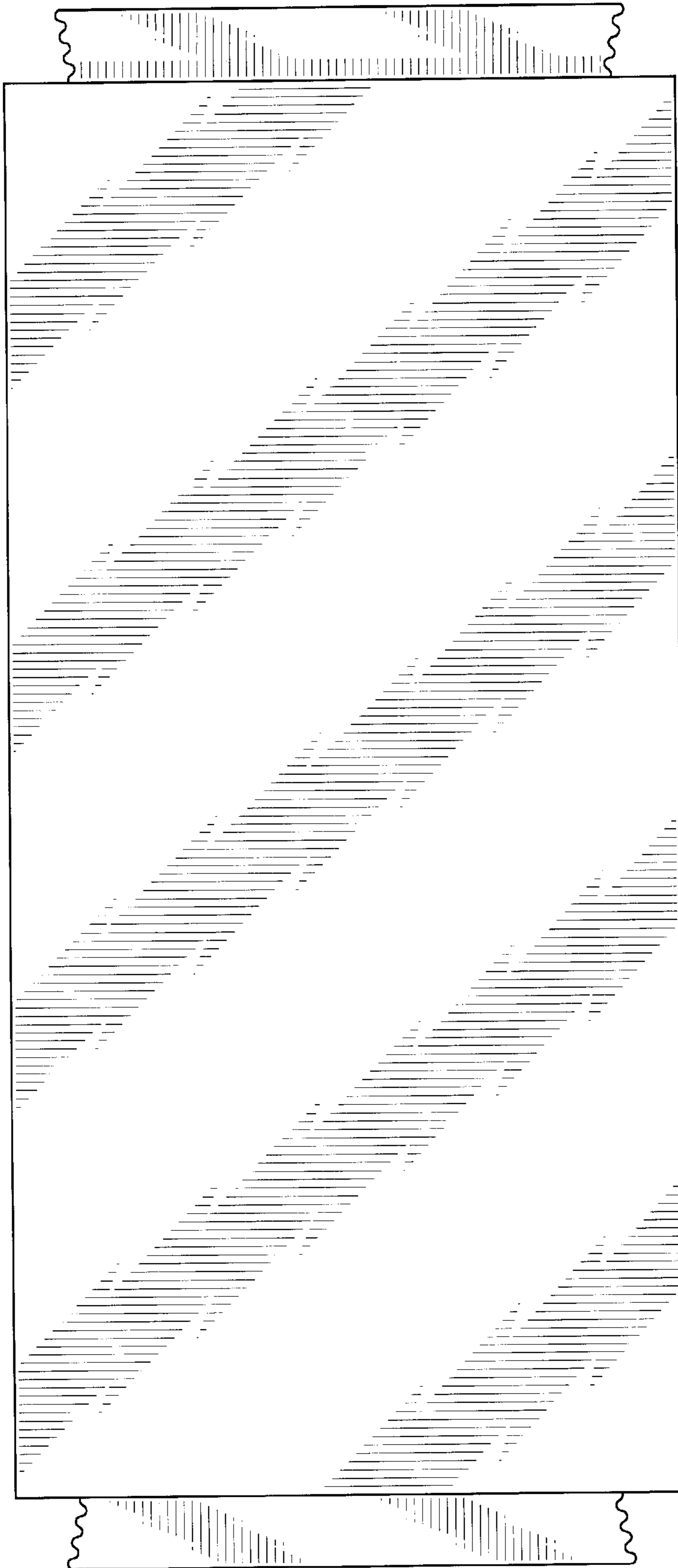


FIG-7

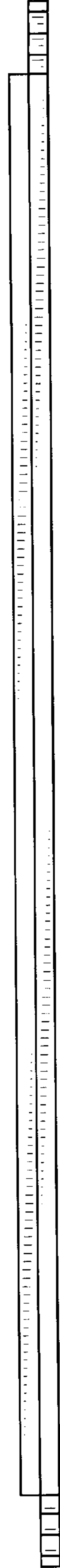


FIG-8



FIG-9

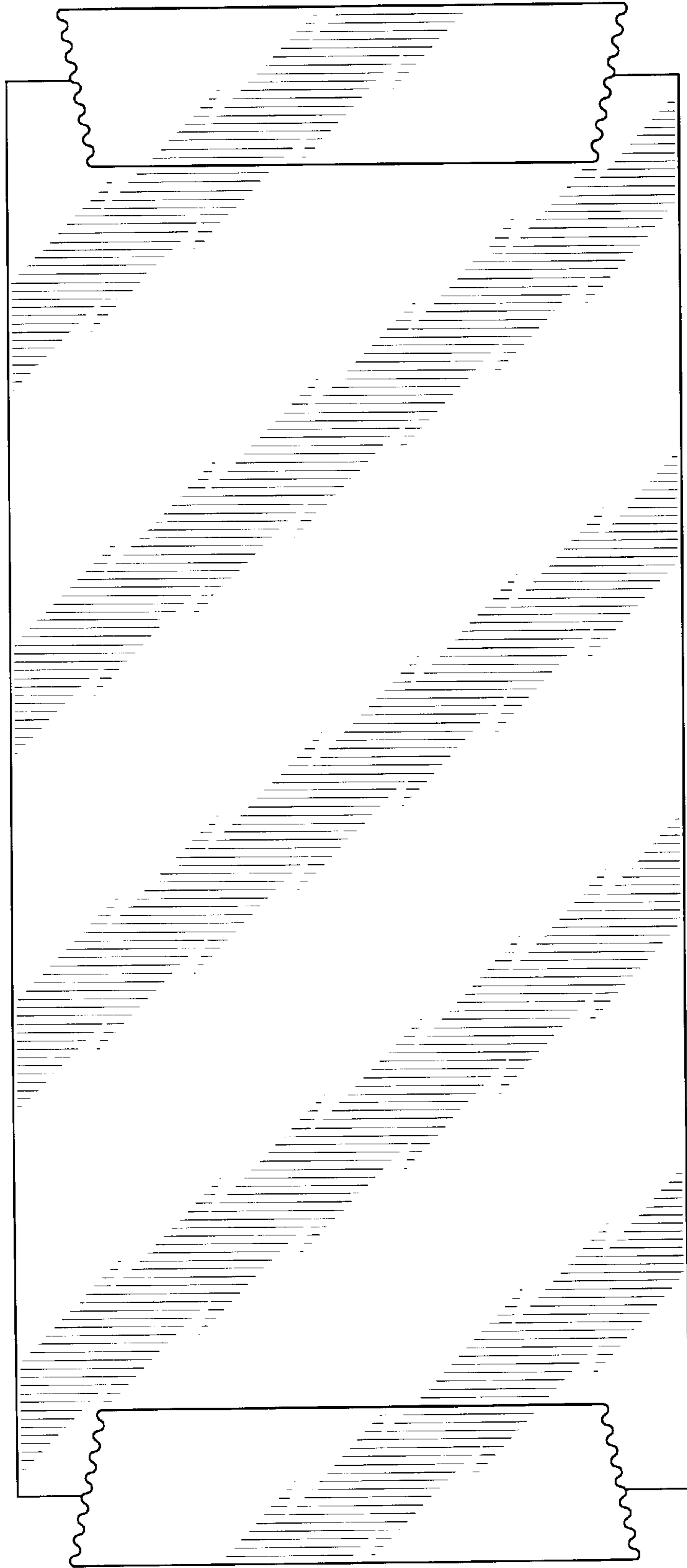


FIG-10

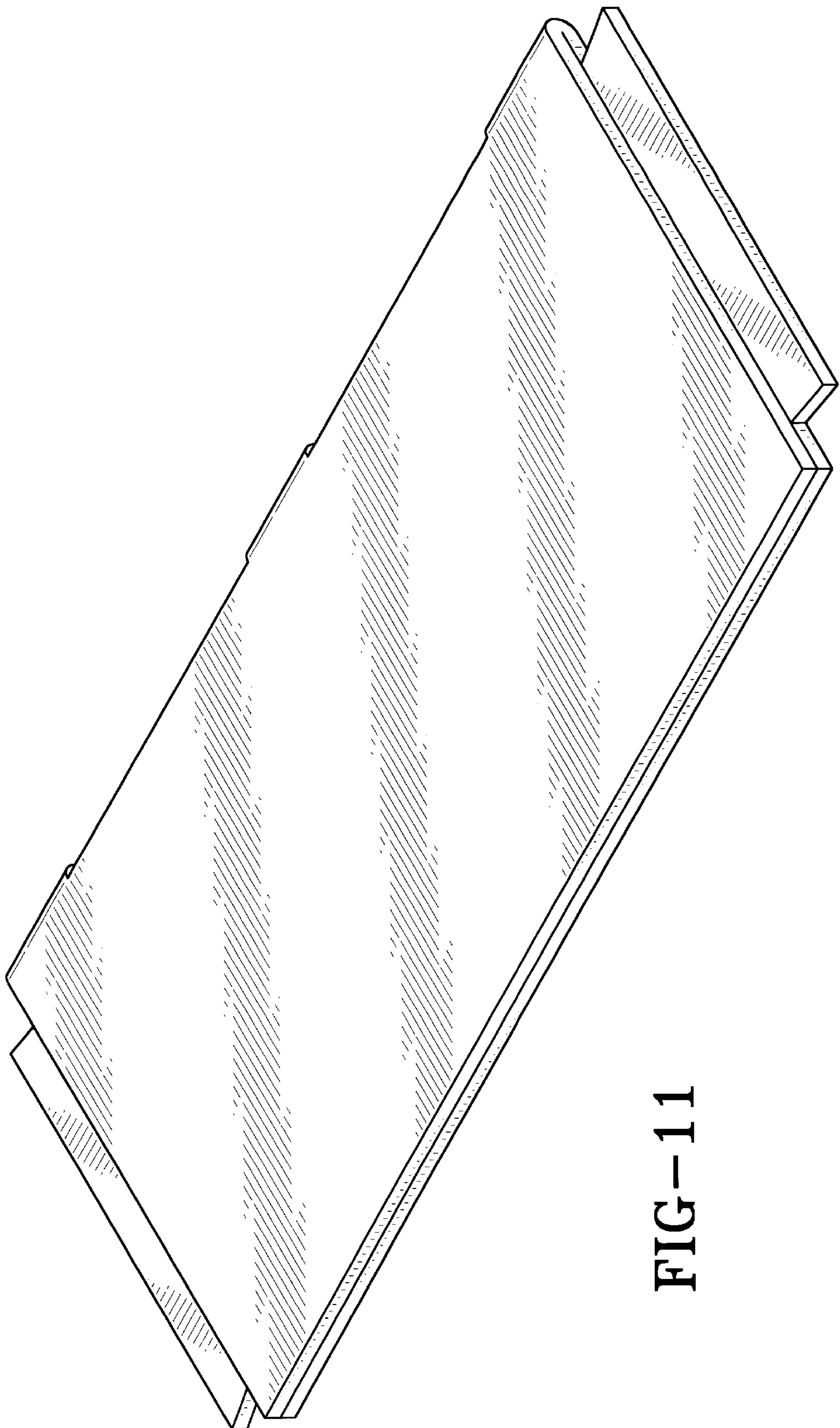


FIG-11



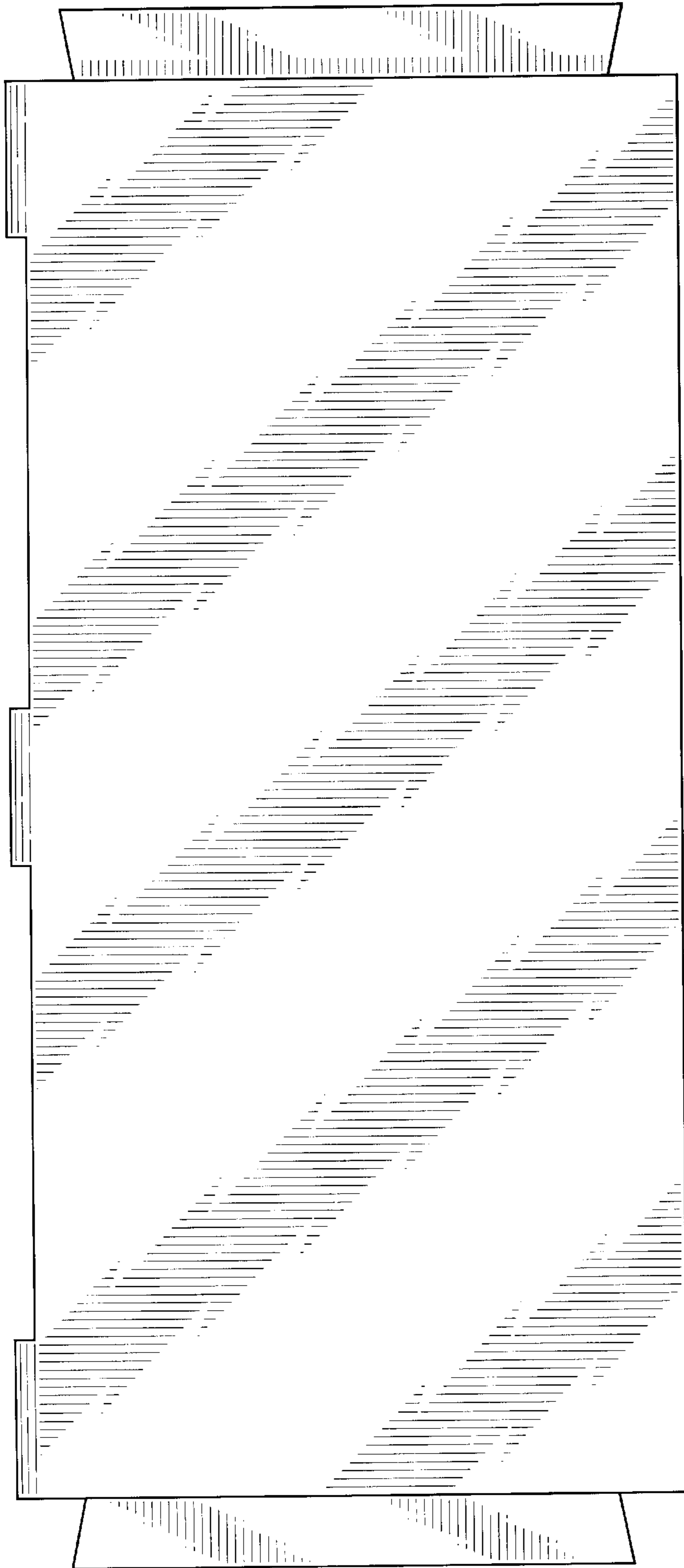


FIG-12

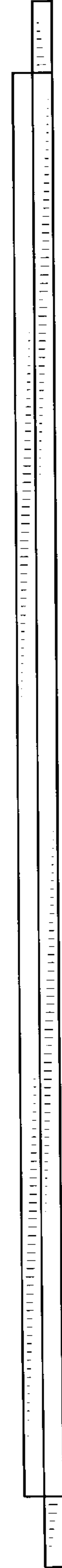


FIG-13

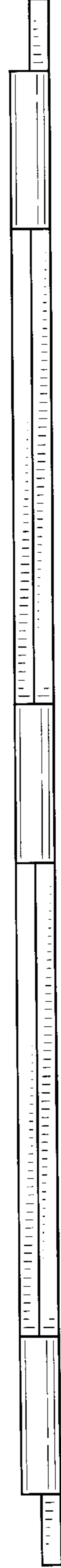


FIG-14



FIG-15

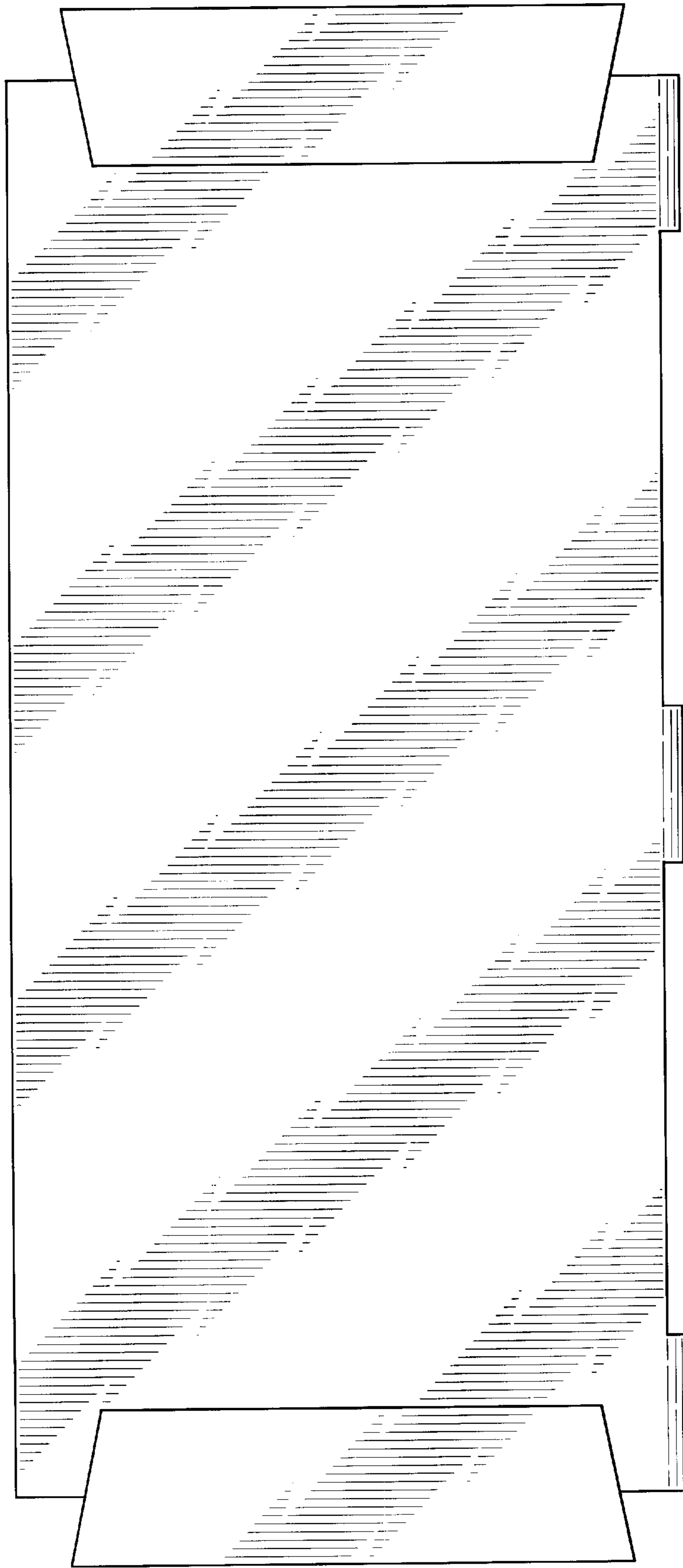


FIG-16