



US00D478975S

(12) **United States Design Patent** (10) **Patent No.:** **US D478,975 S**
Gajewski (45) **Date of Patent:** **** Aug. 26, 2003**

(54) **CEILING FAN**

(75) Inventor: **Mark Gajewski**, San Luis Obispo, CA (US)
 (73) Assignee: **Minka Lighting, Inc.**, Corona, CA (US)
 (**) Term: **14 Years**

(21) Appl. No.: **29/162,389**
 (22) Filed: **Jun. 14, 2002**

(51) **LOC (7) Cl.** **23-04**
 (52) **U.S. Cl.** **D23/377; D23/380**
 (58) **Field of Search** **D23/377, 379, D23/385, 411, 413, 380; 416/5; 392/364**

(56) **References Cited**

U.S. PATENT DOCUMENTS

455,660	A	7/1891	Cooper
532,789	A	1/1895	Ketcher
697,588	A	4/1902	Wood
776,026	A	11/1904	Jacobson
816,759	A	4/1906	Stowe
1,056,668	A	3/1913	Happich, Jr.
1,094,540	A	4/1914	Dilg
1,115,479	A	11/1914	Ayres et al.
1,224,218	A	5/1917	Scheibe
1,226,076	A	5/1917	Jennings
1,227,291	A	5/1917	Miller
1,267,752	A	5/1918	Finch
1,270,832	A	7/1918	Jennings
1,295,618	A	2/1919	Shaw
1,332,875	A	3/1920	Ainsworth
1,334,781	A	3/1920	Morse
1,485,241	A	2/1924	Aronoff
1,517,623	A	12/1924	Francois
1,826,458	A	10/1931	Cooper

(List continued on next page.)

FOREIGN PATENT DOCUMENTS

FR	600.812	2/1926
FR	985.034	7/1951

OTHER PUBLICATIONS

U.S. patent application Ser. No. 29/162,417, Gajewski, filed Jun. 14, 2002.
 U.S. patent application Ser. No. 29/162,419, Gajewski, filed Jun. 14, 2002.
 U.S. patent application Ser. No. 10/172,189, Gajewski et al., filed Jun. 14, 2002.
 U.S. patent application Ser. No. 29/162,390, Gajewski, filed Jun. 14, 2002.
 AirTek™ Advertisement, 1 page, after Apr. 2002.
 Preview page in Residential Lighting magazine, page 102, Jun. 2002.
 Minka Lighting, Inc.: MinkaAire Two Thousand Two; Apr. 22, 2002; pp. 22, 23; Minka Lighting, Inc.; U.S.A.

Primary Examiner—Lisa Lichtenstein
 (74) *Attorney, Agent, or Firm*—Jenkins & Gilchrist, P.C.

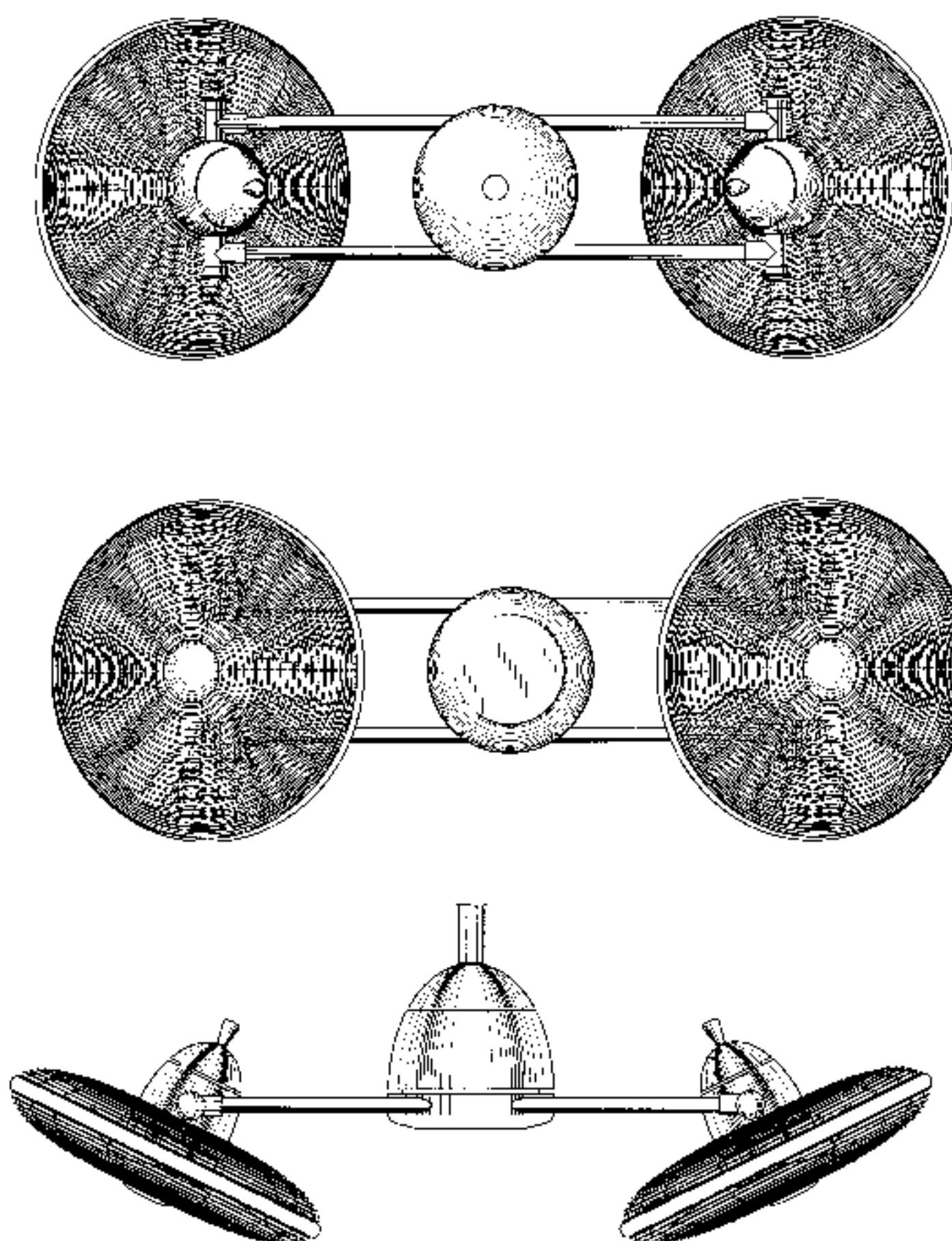
(57) **CLAIM**

The ornamental design for a ceiling fan, as shown and described.

DESCRIPTION

FIG. 1 is a top view of the ceiling fan in accordance with my design;
 FIG. 2 is a bottom view of the ceiling fan in accordance with my design;
 FIG. 3 is a side elevation view of the ceiling fan in accordance with my design;
 FIG. 4 is a front elevation view of the ceiling fan in accordance with my design; and,
 FIG. 5 is a top perspective view of one of the fans of the combination ceiling fan and light fixture shown separately for clarity of illustration.
 The right and left side elevational views are mirror images of each other.
 The front and back elevational views are mirror images of each other.
 The down rod is shown broken away in FIGS. 3 and 4 to indicate indeterminate length.

1 Claim, 4 Drawing Sheets



US D478,975 S

Page 2

U.S. PATENT DOCUMENTS

1,903,615 A	4/1933	Towt	6,022,118 A	2/2000	Wu	362/35
2,237,039 A	4/1941	Newnham	6,022,189 A	2/2000	Yu	416/5
4,391,570 A	7/1983	Stutzman	6,074,182 A	6/2000	Matson	417/423.15
4,560,321 A	12/1985	Kawai	6,146,191 A	11/2000	Kerr, Jr. et al.	439/537
4,640,668 A	2/1987	Yang	6,158,964 A	12/2000	Gajewski	416/244 R
4,720,241 A	1/1988	Markwardt	6,171,060 B1	1/2001	Gajewski	416/244 R
4,878,806 A	11/1989	Markwardt	6,250,885 B1	6/2001	Gajewski	416/214 R
D313,467 S	1/1991	Frampton	D451,996 S	12/2001	Liu	D23/411
5,411,372 A	5/1995	Clark	6,354,801 B1	3/2002	Gajewski	416/5
5,443,625 A	8/1995	Schaffhausen	6,357,714 B1	3/2002	Johnson	248/343
5,668,920 A	9/1997	Pelonis	D456,073 S	4/2002	Frampton	D23/413
D408,905 S	4/1999	Hadjikyriacou	6,364,617 B1	4/2002	Riske et al.	416/246
5,951,253 A	9/1999	Gajewski	6,364,638 B1	4/2002	Liu	417/423.15

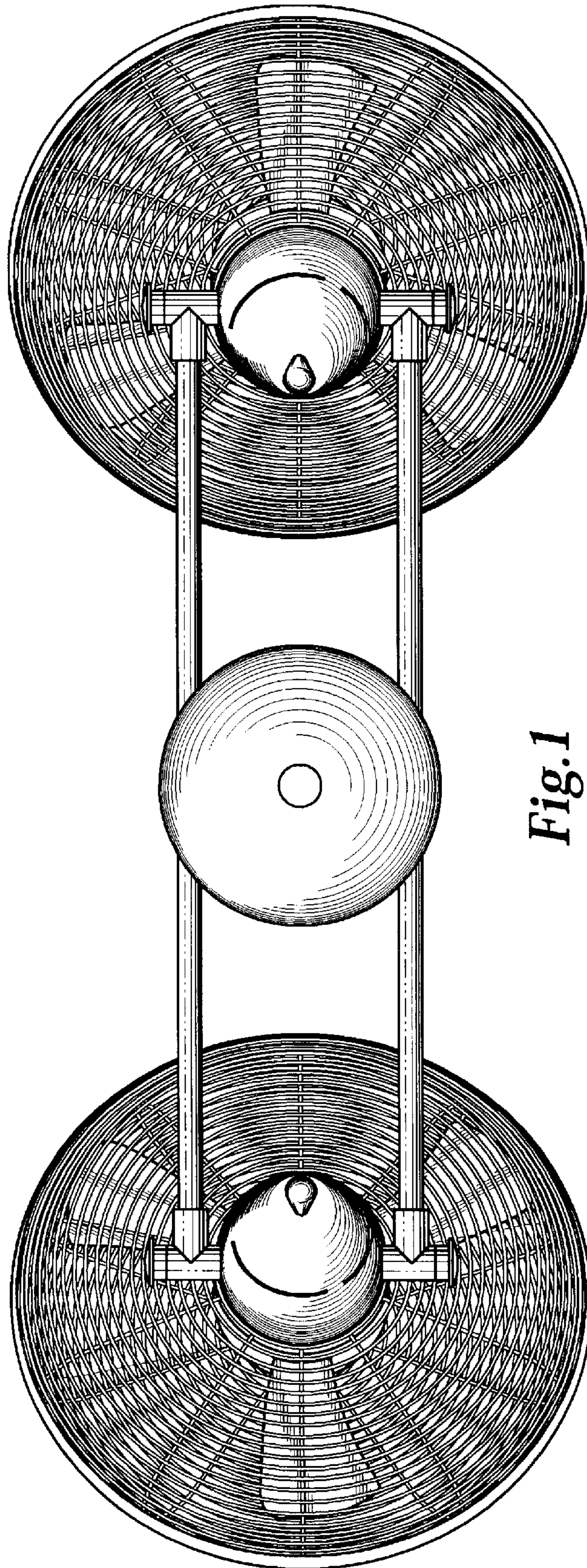


Fig. 1

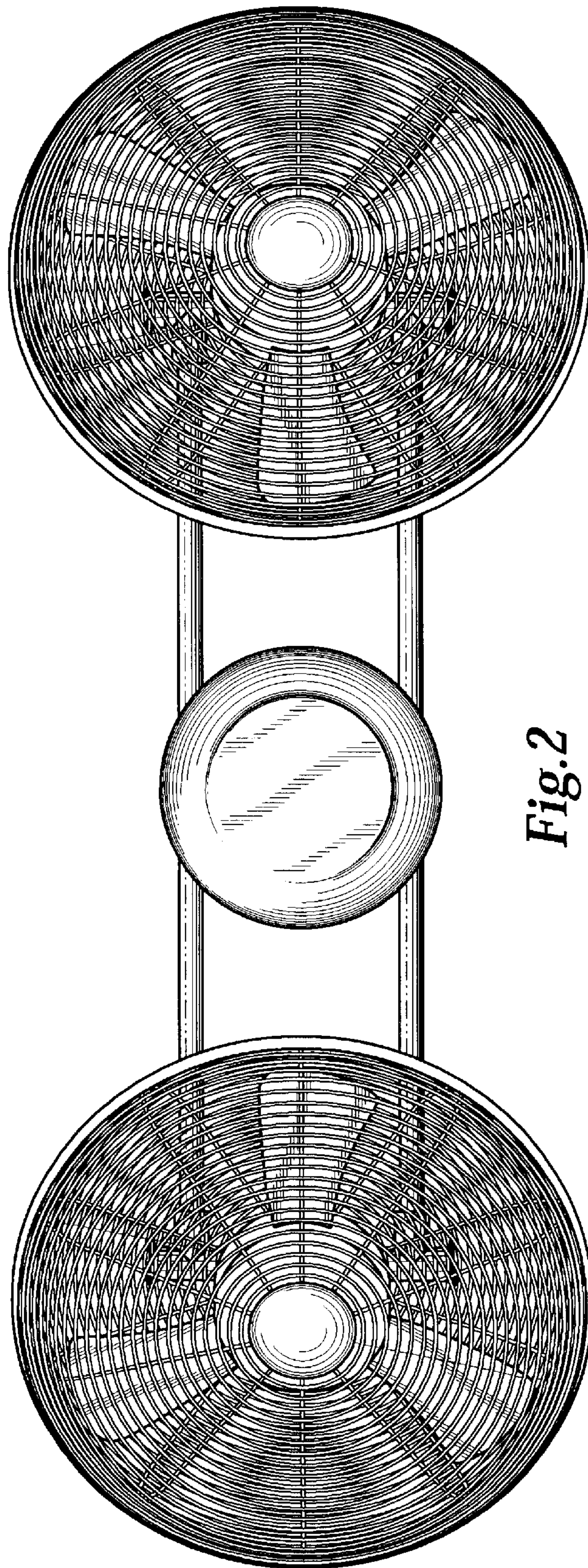


Fig. 2

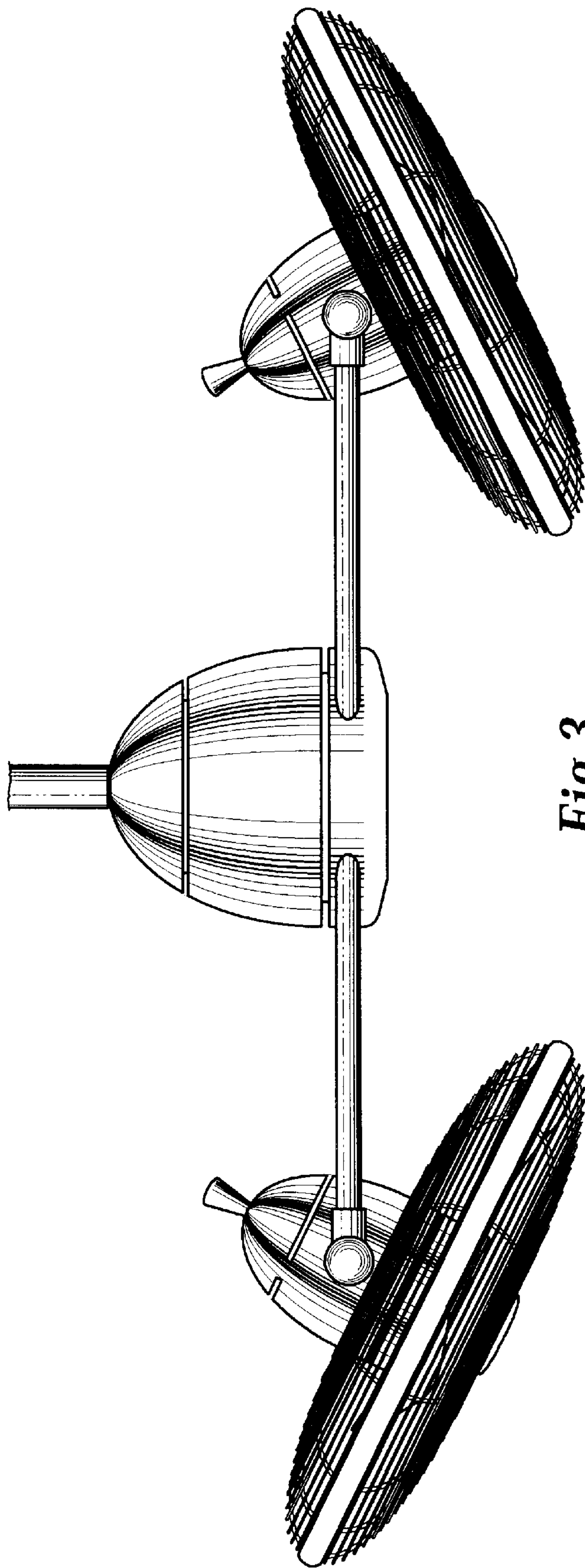


Fig.3

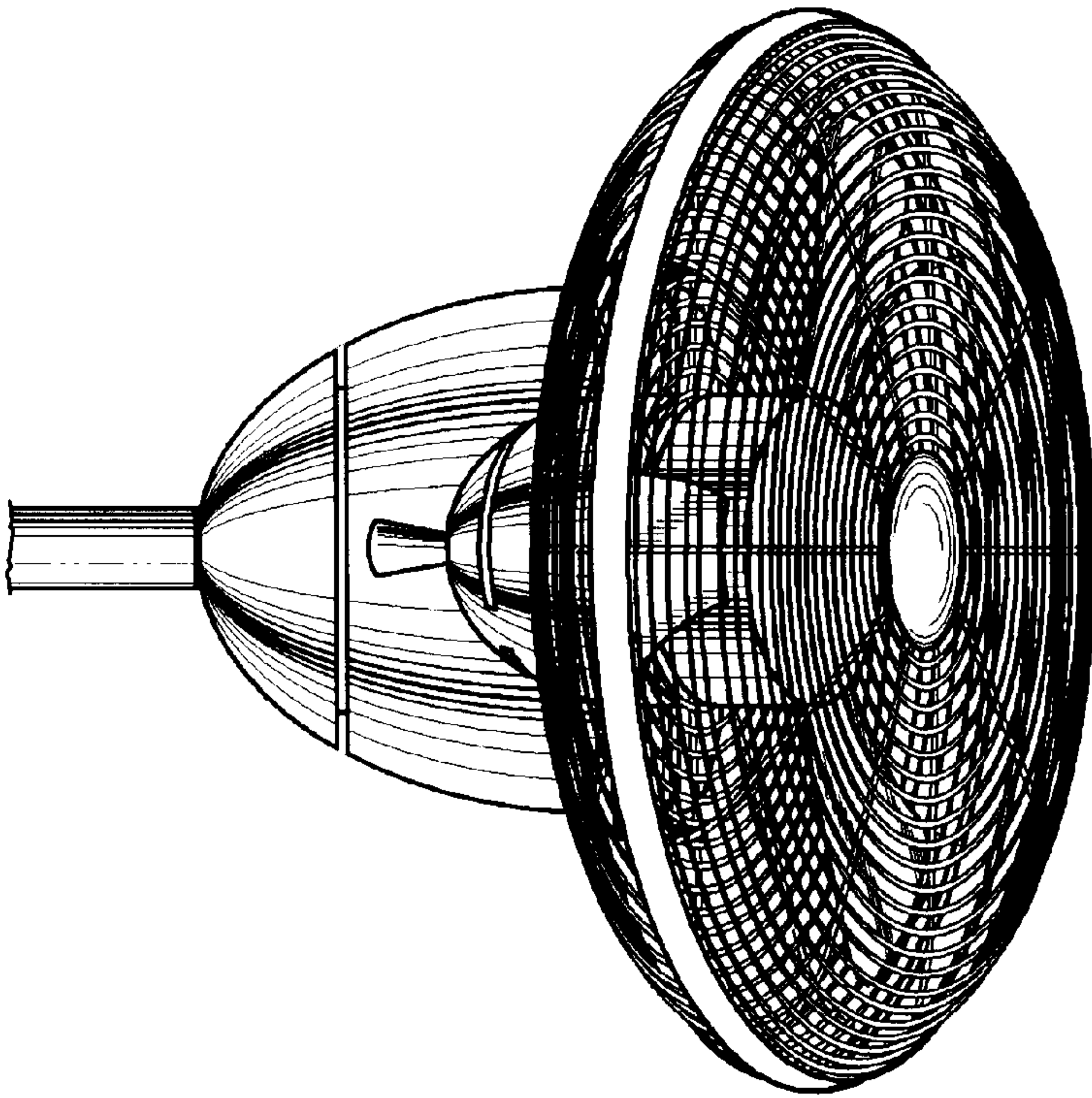


Fig. 4

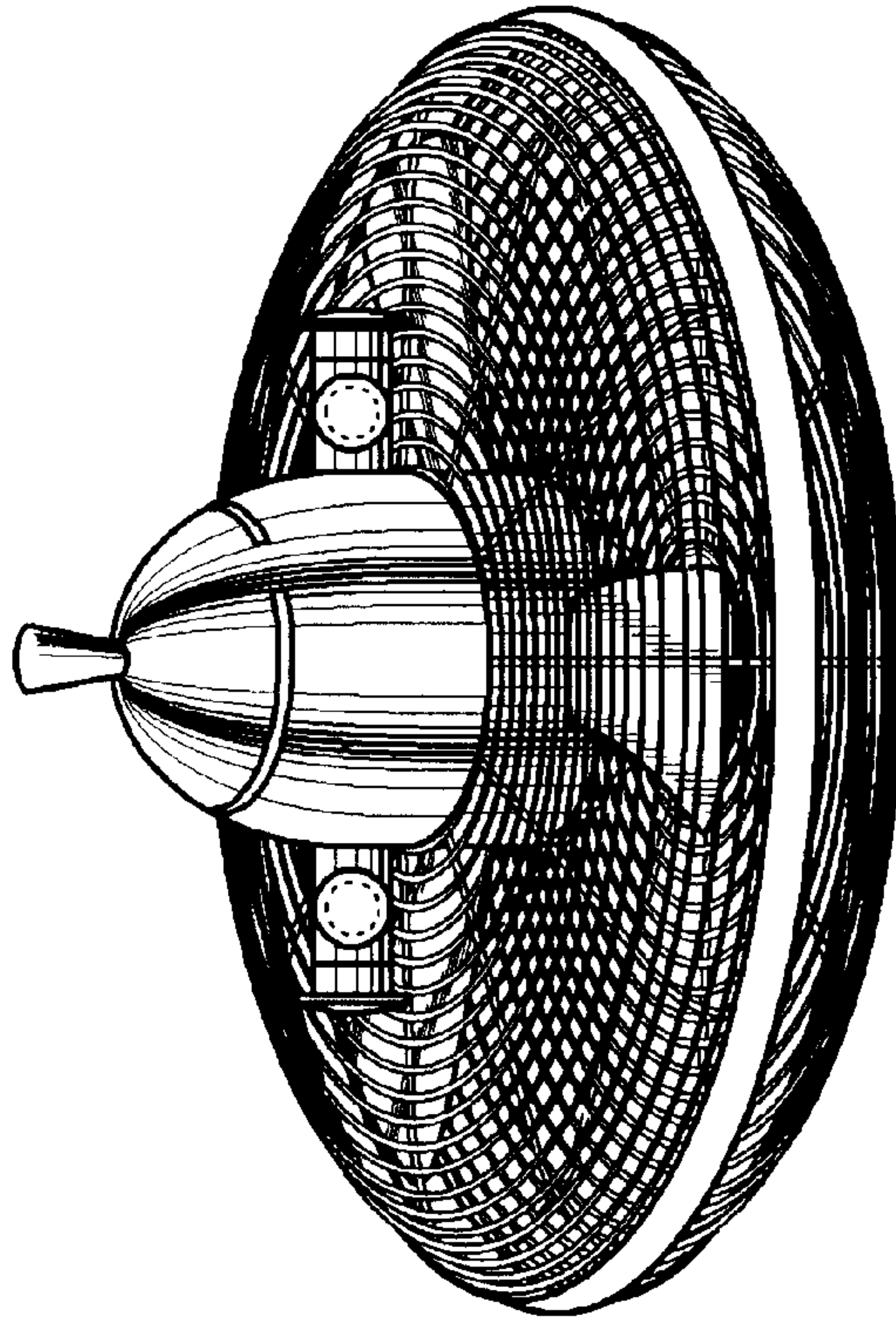


Fig. 5