



US00D478972S

(12) **United States Design Patent**
Hunter

(10) **Patent No.:** **US D478,972 S**

(45) **Date of Patent:** **** Aug. 26, 2003**

(54) **AIR FILTER MANIFOLD**

(76) **Inventor:** **Shane Hunter**, 72 Fletcher Street,
Edgeworth NSW 2285 (AU)

(**) **Term:** **14 Years**

(21) **Appl. No.:** **29/169,987**

(22) **Filed:** **Oct. 29, 2002**

(30) **Foreign Application Priority Data**

May 9, 2002 (AU) 1371/2002

(51) **LOC (7) Cl.** **23-04**

(52) **U.S. Cl.** **D23/365**

(58) **Field of Search** D23/355, 364,
D23/365; 55/521, 529, 498

(56) **References Cited**

U.S. PATENT DOCUMENTS

4,764,191 A * 8/1988 Morelli 55/498

D440,295 S * 4/2001 Honma D23/365

D468,821 S * 1/2003 Hunter D23/365

* cited by examiner

Primary Examiner—Robin V. Taylor

(74) *Attorney, Agent, or Firm*—Timothy J. Keefer;
Wildman, Harrold, Allen & Dixon

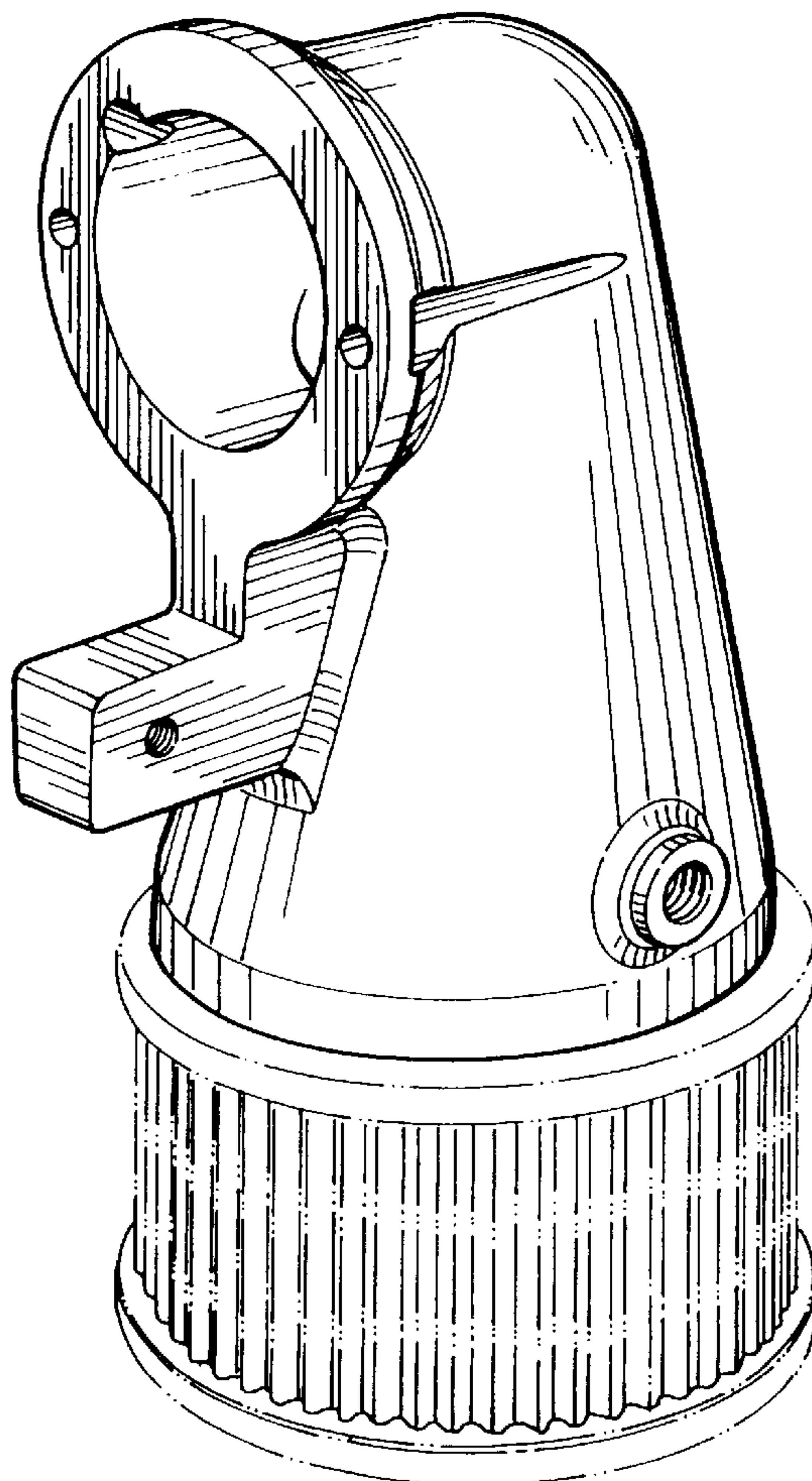
(57) **CLAIM**

The ornamental design for an air filter manifold, as shown and described.

DESCRIPTION

FIG. 1 is a perspective view showing the top, front and right sides of an air filter manifold embodying the new design; FIG. 2 is a front side elevation view thereof; FIG. 3 is a rear side elevation view thereof; FIG. 4 is a right side elevation view thereof; FIG. 5 is a left side elevation view thereof; FIG. 6 is a top plan view thereof; FIG. 7 is a bottom plan view thereof; and, FIG. 8 is a perspective view showing the top, front and right sides of the air filter manifold of FIG. 1, the Figure showing how the air filter manifold is attached to an air filter, the air filter shown in broken lines being for illustrative purposes only and forming no part of the claimed design.

1 Claim, 3 Drawing Sheets



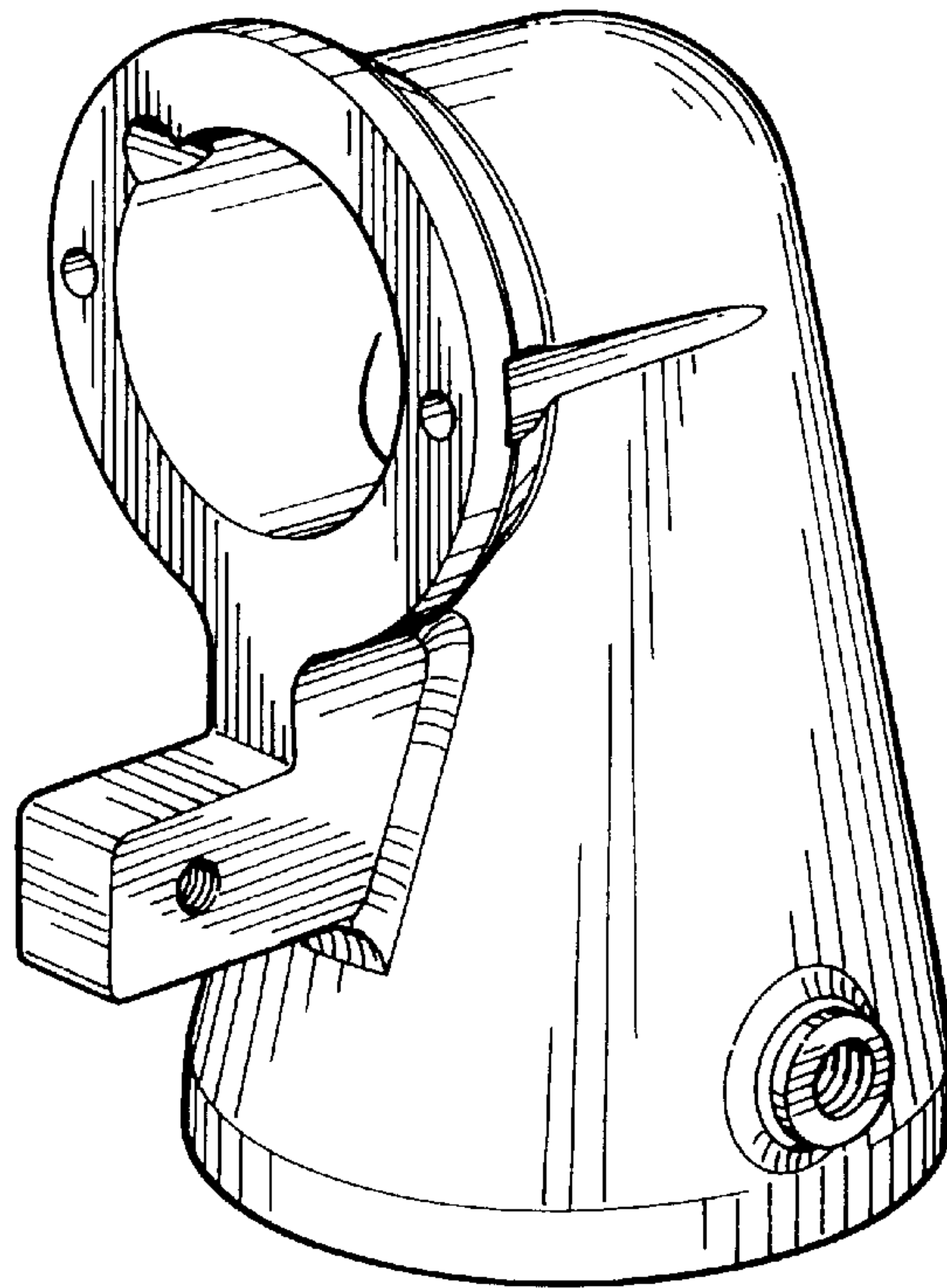


FIG. 1

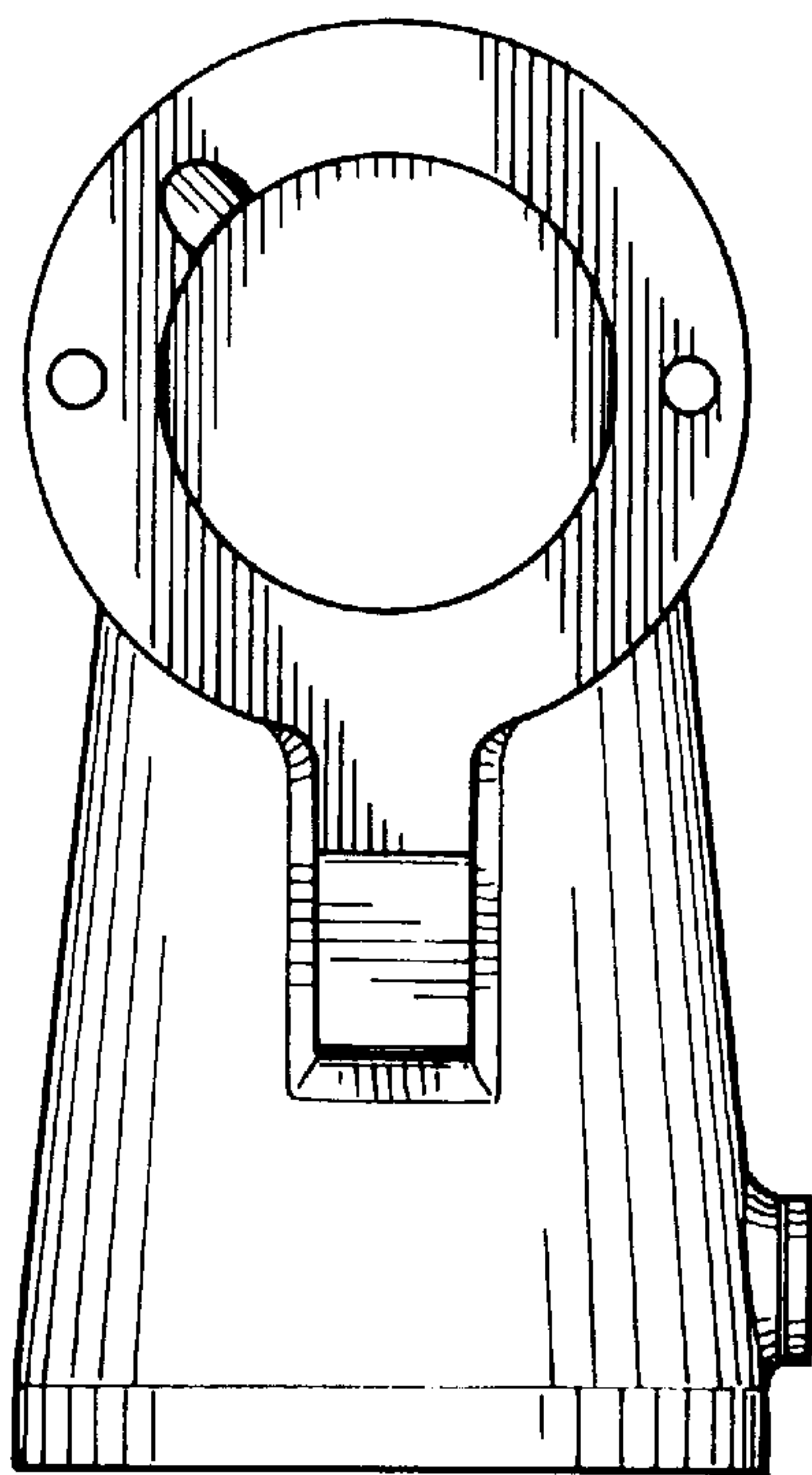


FIG. 2

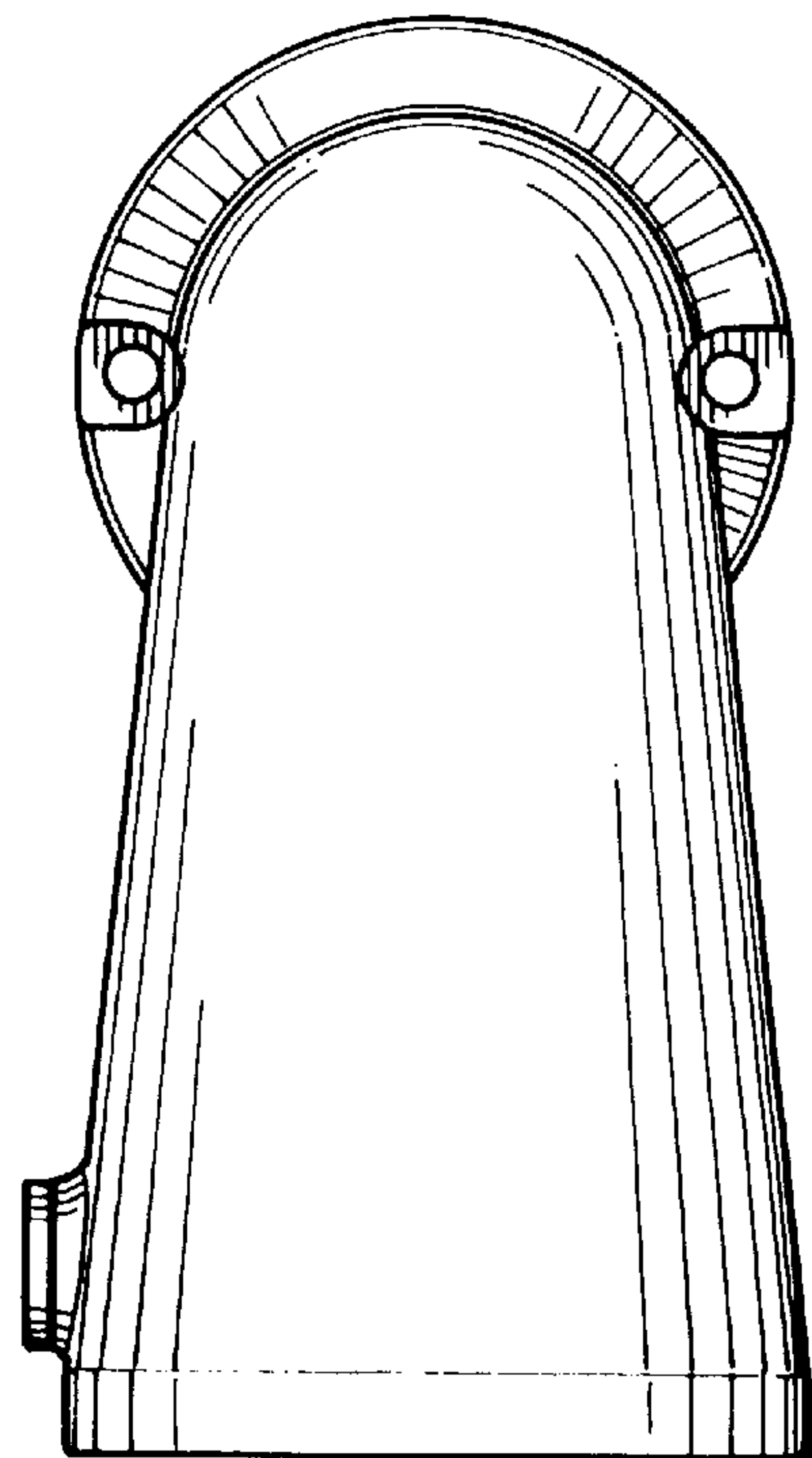


FIG. 3

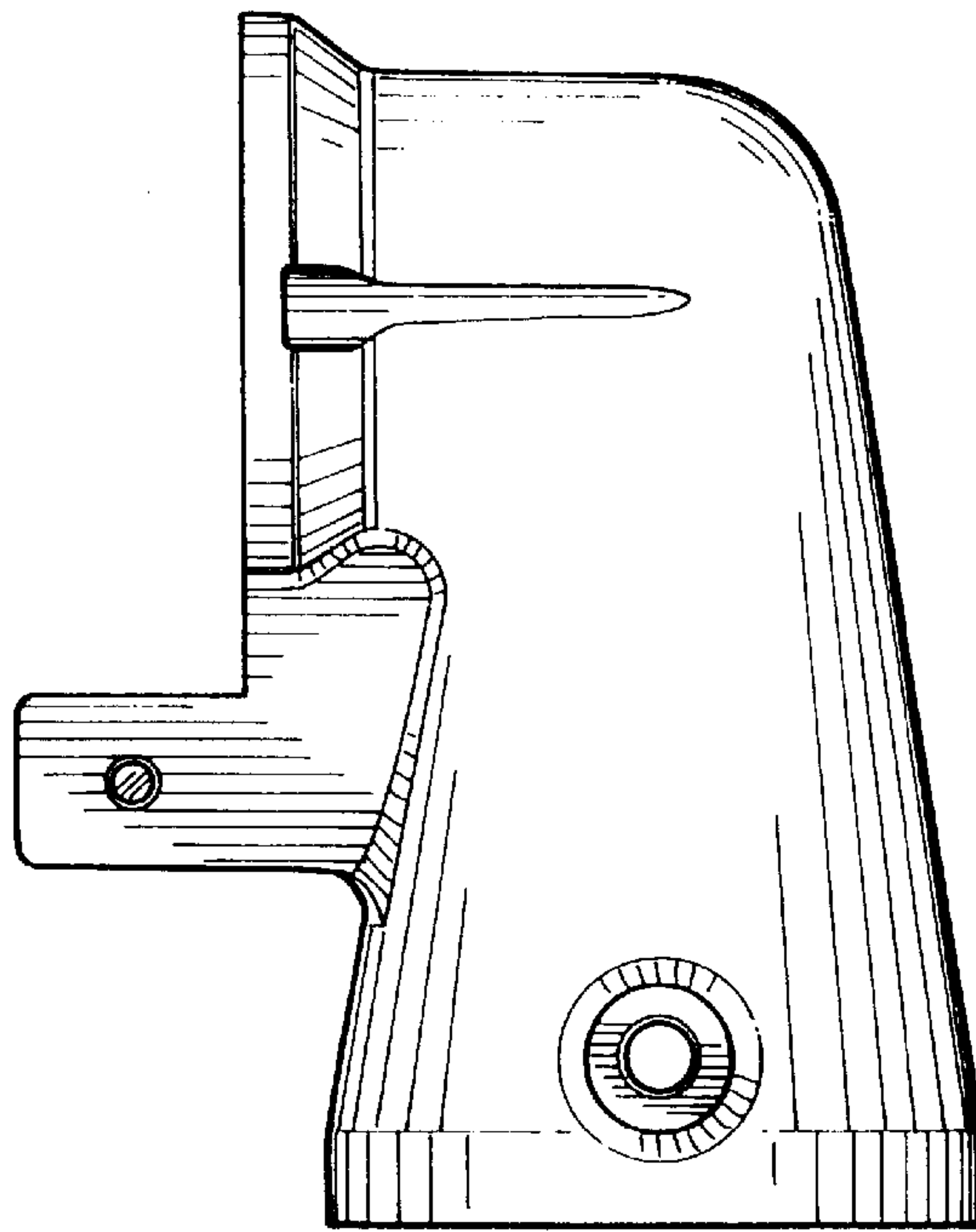


FIG. 4

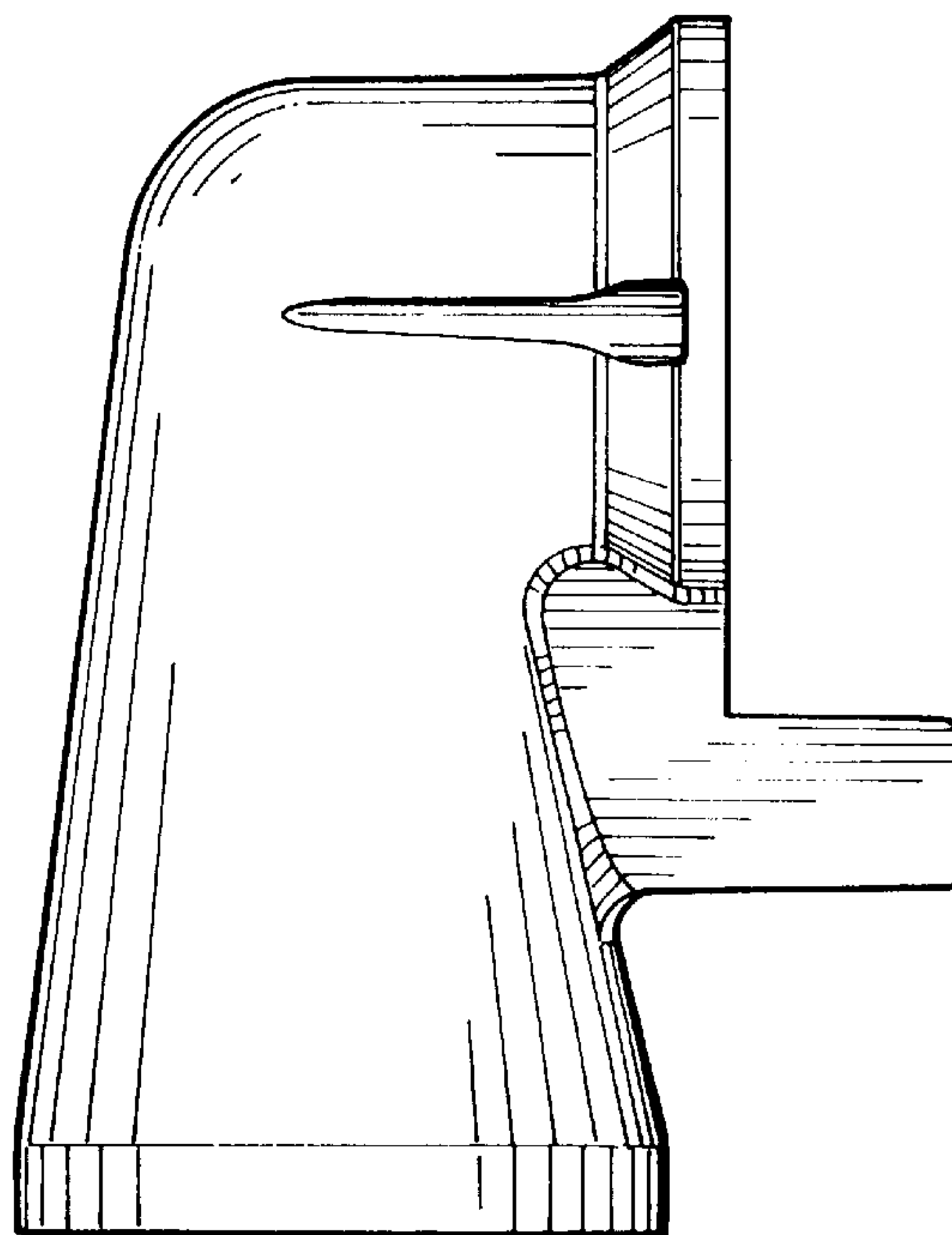


FIG. 5

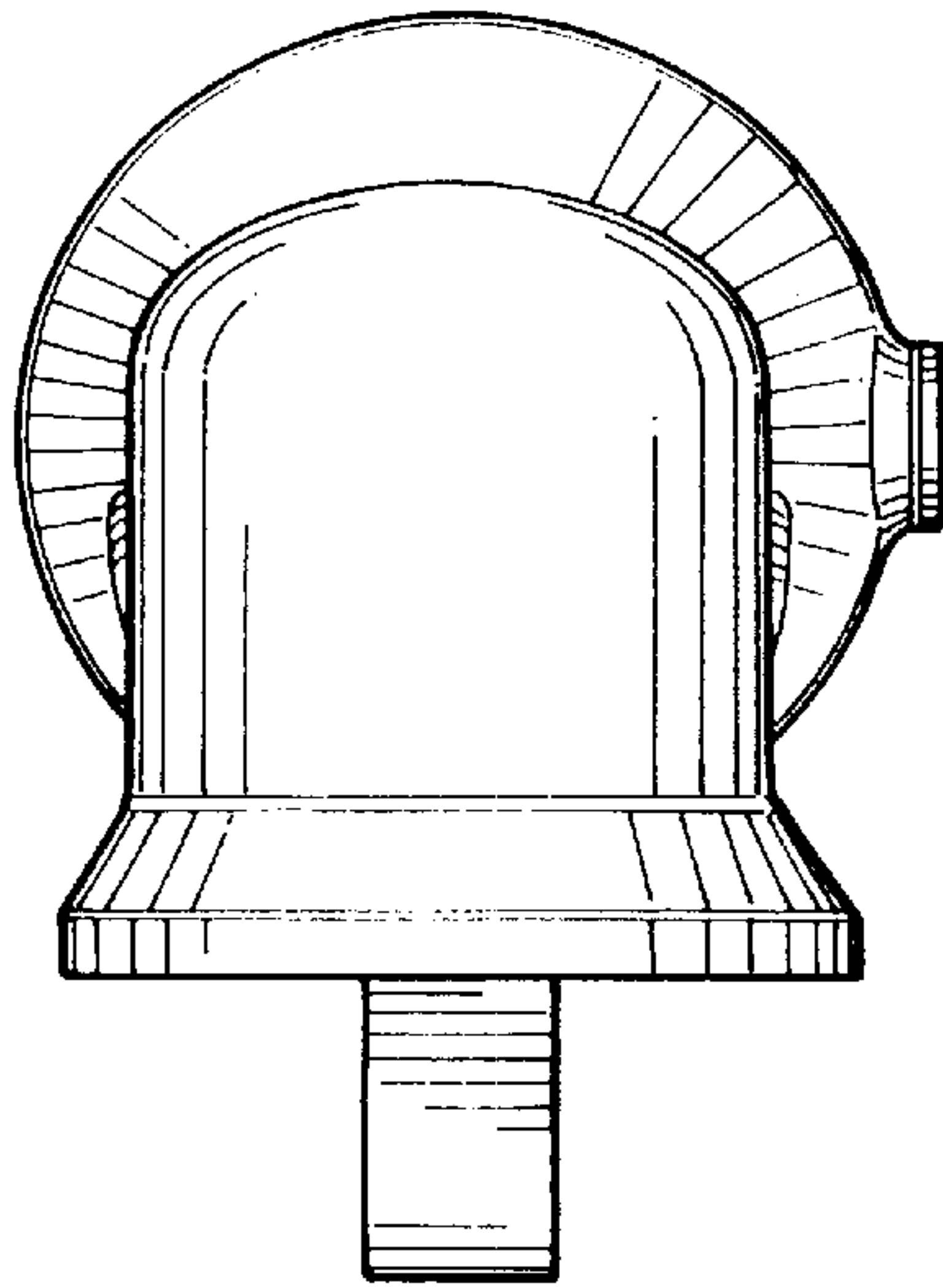


FIG. 6

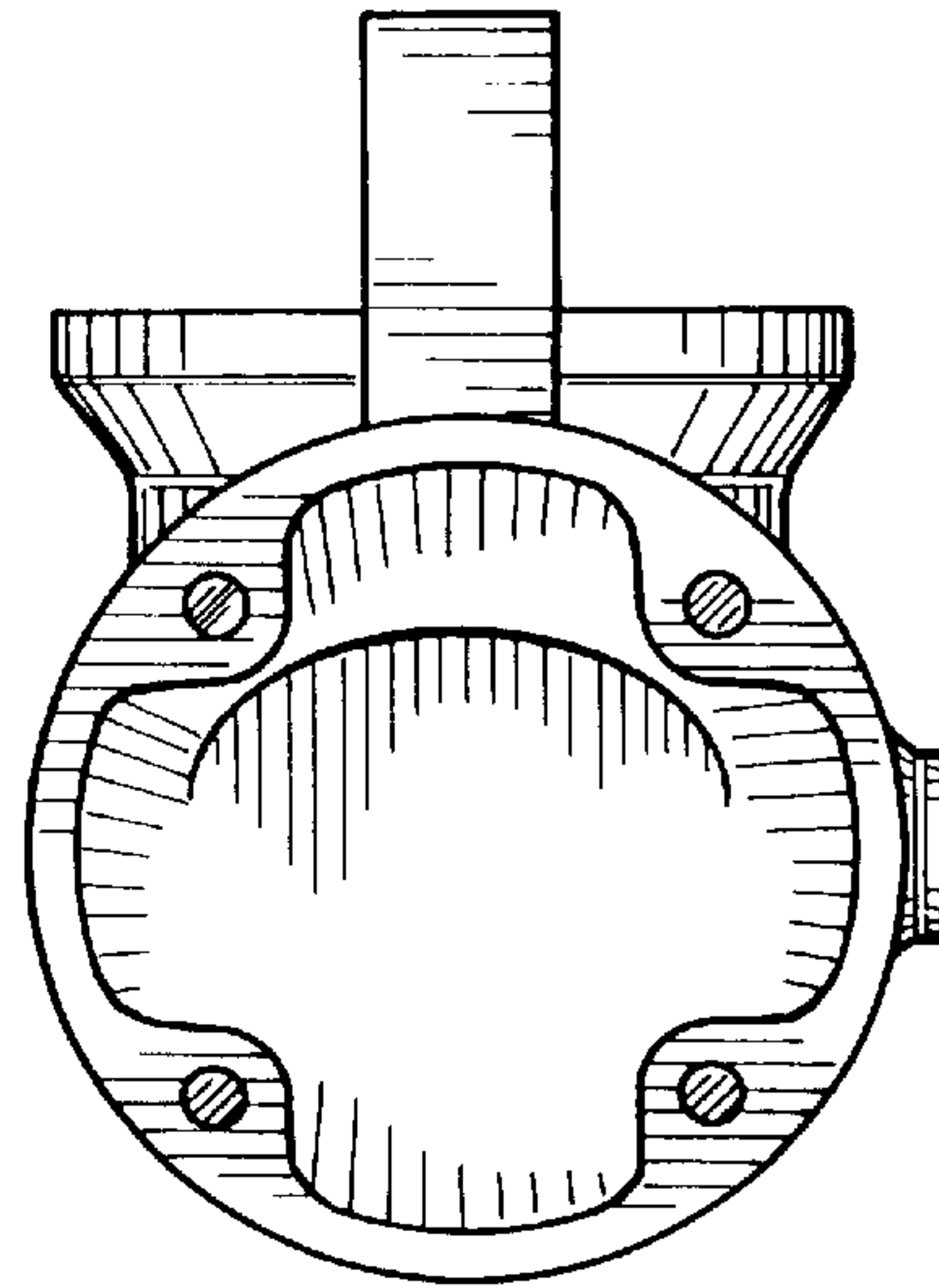


FIG. 7

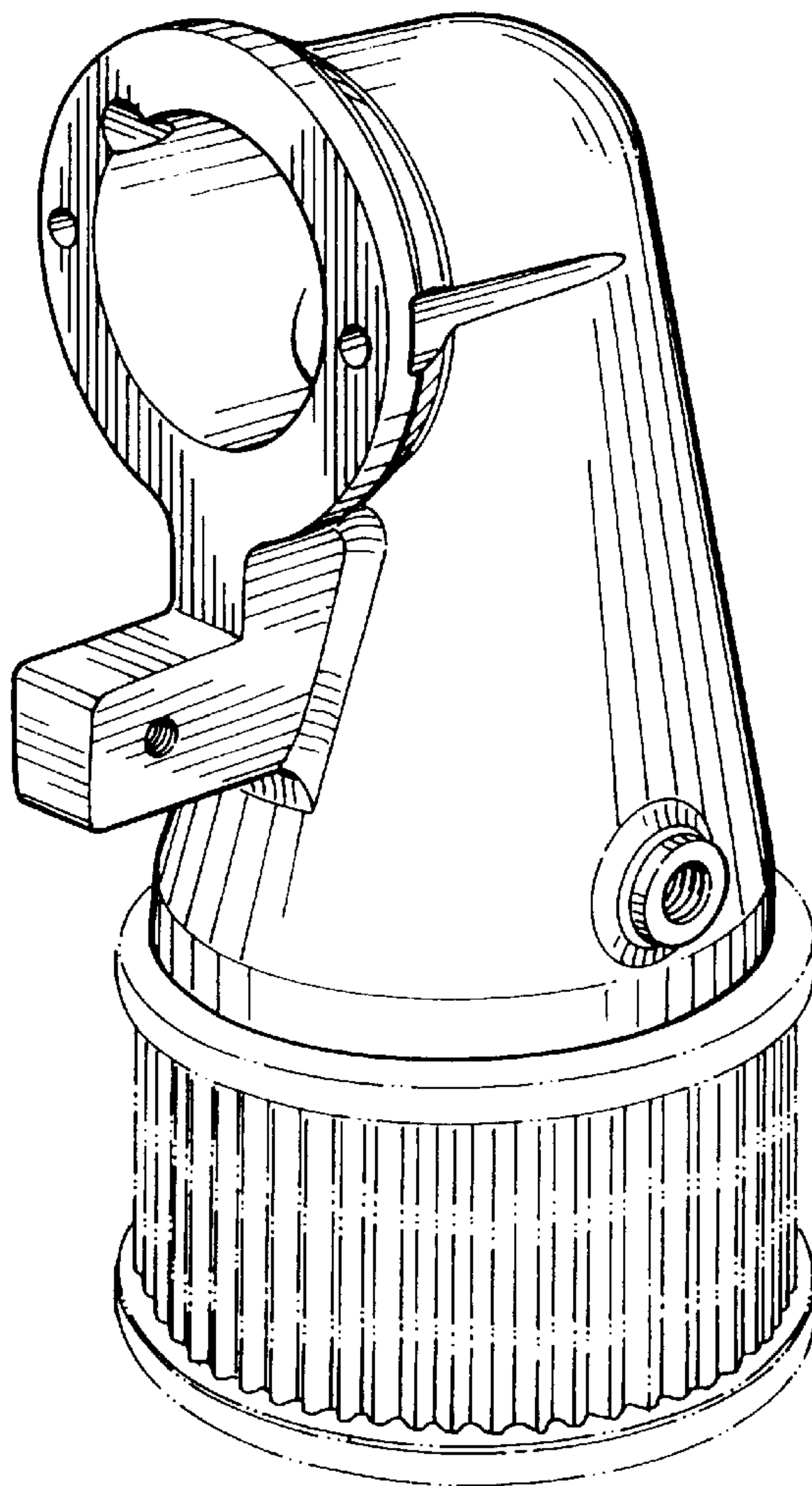


FIG. 8