



US00D478971S

(12) **United States Design Patent**  
**Jones et al.**

(10) **Patent No.:** **US D478,971 S**

(45) **Date of Patent:** **\*\* Aug. 26, 2003**

(54) **PORTABLE INFLATABLE BATHTUB WITH SHAMPOO BOWL AND FOLD-OUT SIDE AND LOWER FLAP-LIKE SPLASH PROTECTION EXTENSIONS FOR BEDRIDDEN PATIENTS**

(76) Inventors: **Ruth M. Jones**, 19143 Meyers, Detroit, MI (US) 48235; **Susan R. McKnight**, 19143 Meyers, Detroit, MI (US) 48235; **Phyllis J. Edwards**, 19143 Meyers, Detroit, MI (US) 48235

(\*\*) Term: **14 Years**

(21) Appl. No.: **29/160,798**

(22) Filed: **May 17, 2002**

(51) **LOC (7) Cl.** ..... **23-02**

(52) **U.S. Cl.** ..... **D23/304**

(58) **Field of Search** ..... D23/273, 275, D23/276, 277, 278, 303, 304; D24/204; 4/538, 546-548, 555-557, 559, 571.1-580, 582, 588-594, 661, DIG. 18; D6/333, 382, 602

(56) **References Cited**

**U.S. PATENT DOCUMENTS**

D204,737 S	*	5/1966	Draheim	.....	D6/382
3,341,866 A		9/1967	Wright		
3,373,451 A		3/1968	Schmidt		
3,579,668 A		5/1971	Aronovitz		
4,068,326 A	*	1/1978	Deschler	.....	4/588 X

D300,694 S	*	4/1989	Krok	.....	D6/333
4,991,240 A	*	2/1991	Edwards	.....	4/585
5,050,591 A	*	9/1991	Sandrin	.....	4/582 X
5,153,950 A		10/1992	Sowers		
D360,256 S	*	7/1995	Gharehgozlou	.....	D23/304
5,430,901 A		7/1995	Farley		
5,522,099 A		6/1996	Heier		
5,930,853 A		8/1999	Akado		

\* cited by examiner

*Primary Examiner*—Louis S. Zarfaz

*Assistant Examiner*—Robert A. Delehanty

(74) *Attorney, Agent, or Firm*—Donald R. Schoonover

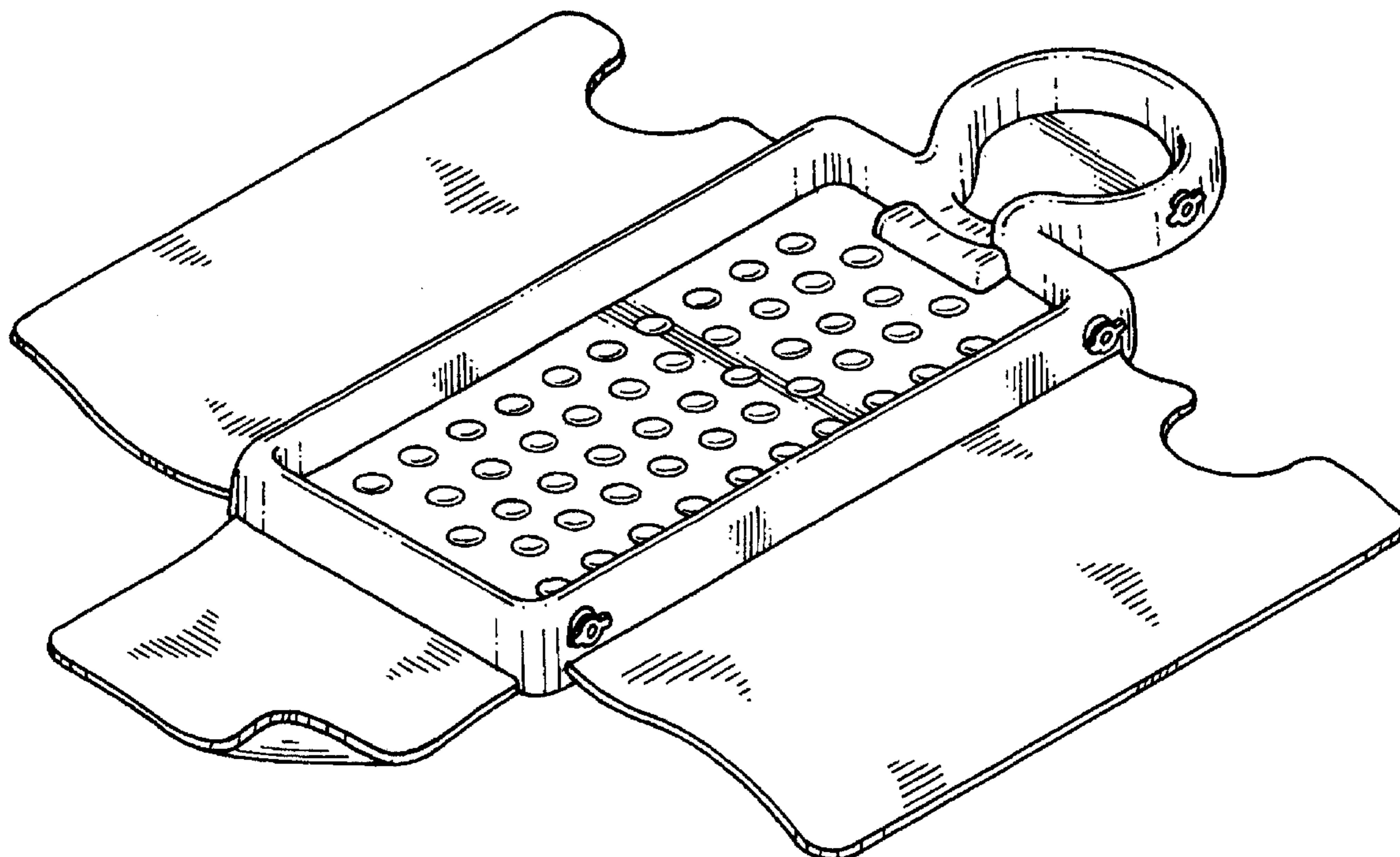
(57) **CLAIM**

We claim the ornamental design for a portable inflatable bathtub with shampoo bowl and fold-out side and lower flap-like splash protection extensions for bedridden patients, as shown and described.

**DESCRIPTION**

FIG. 1 is a perspective view of a portable inflatable bathtub with shampoo bowl and fold-out side and lower flap-like splash protection extensions for bedridden patients, embodying the design of the present invention FIG. 2 is a front elevational plan view thereof; FIG. 3 is a rear elevational view thereof; FIG. 4 is a left side elevational view thereof; FIG. 5 is a right side elevational view thereof; FIG. 6 is a top plan view thereof; and, FIG. 7 is a bottom plan view thereof.

**1 Claim, 4 Drawing Sheets**



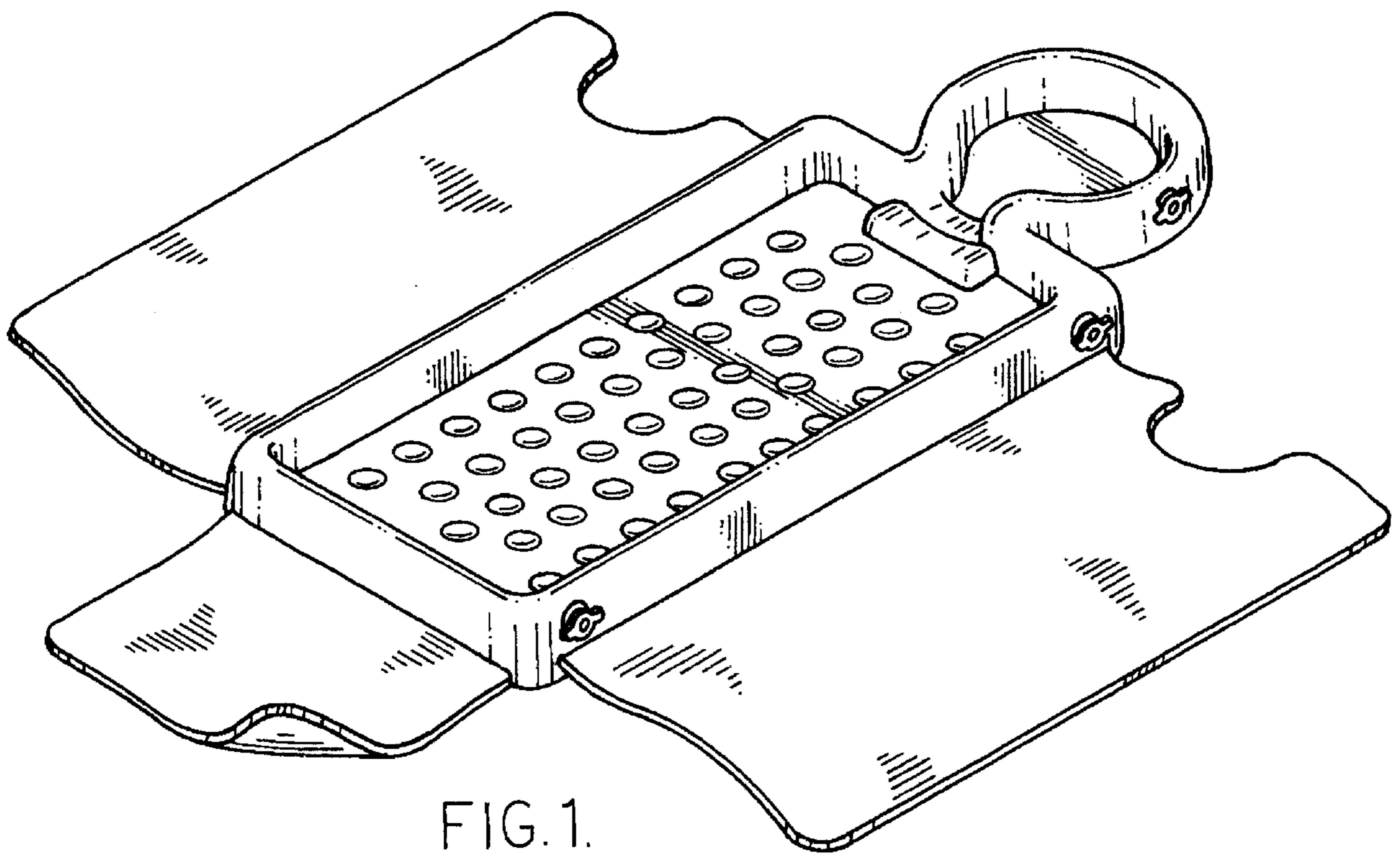


FIG. 1.

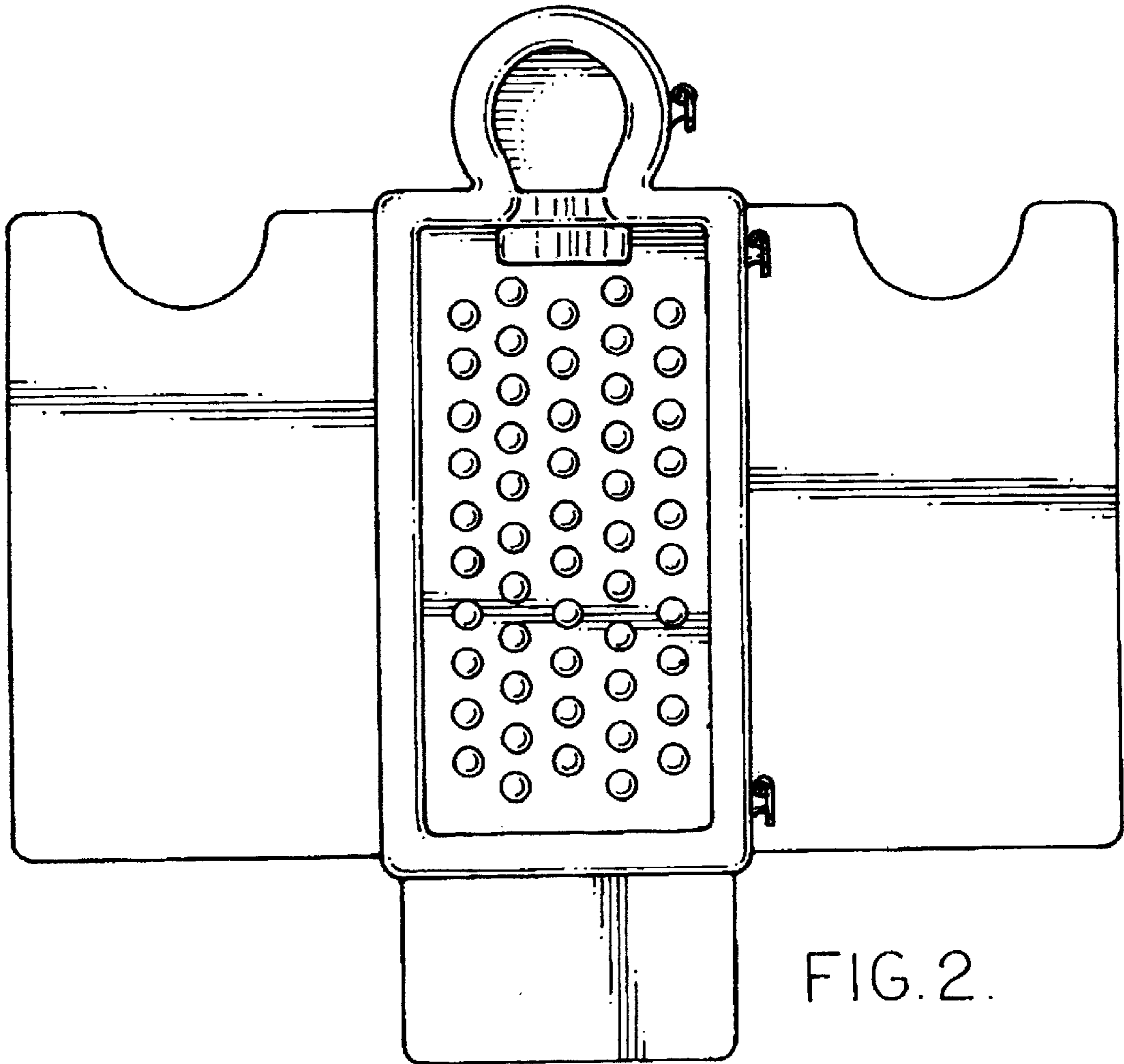


FIG. 2.



FIG. 7.

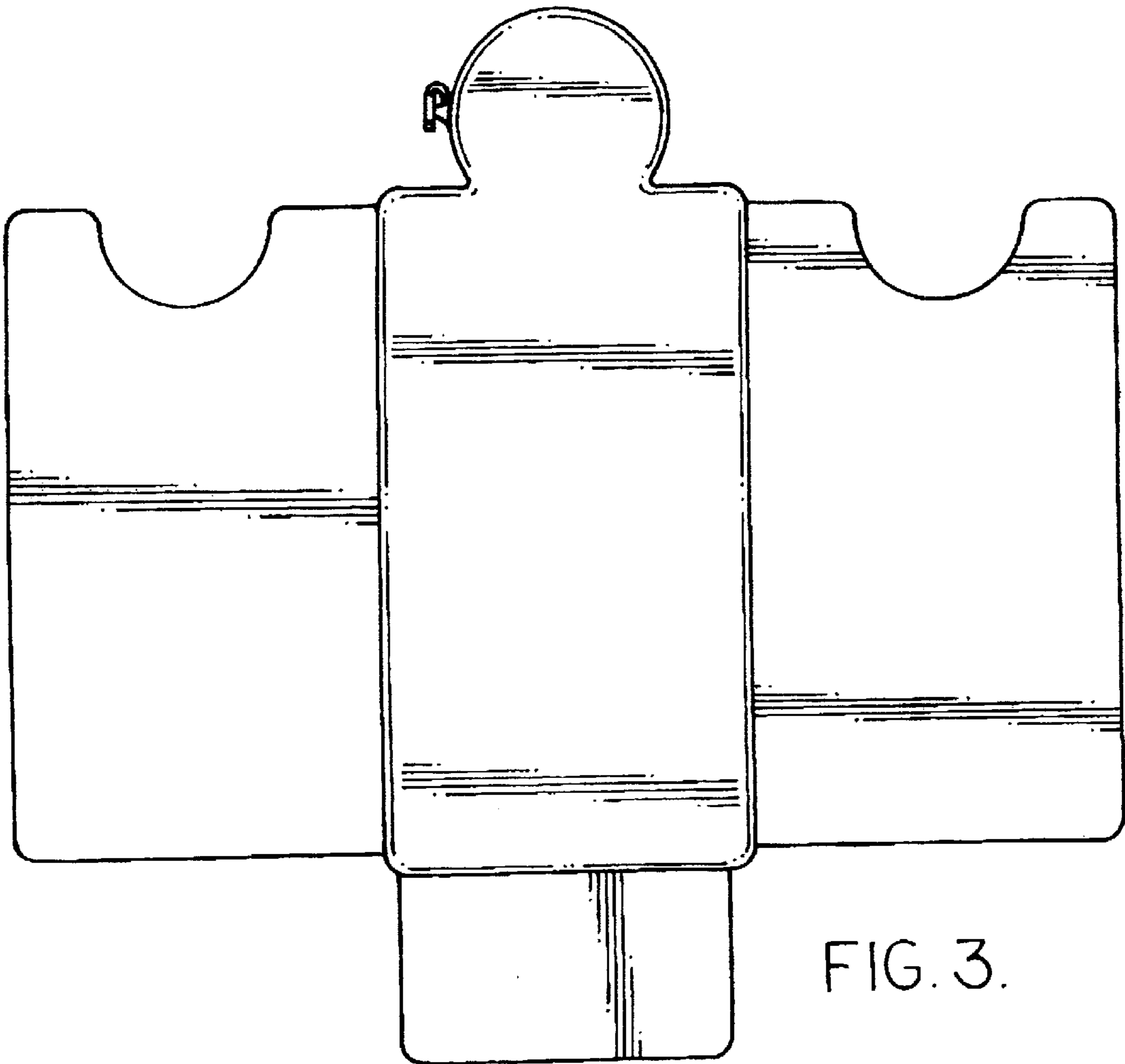


FIG. 3.

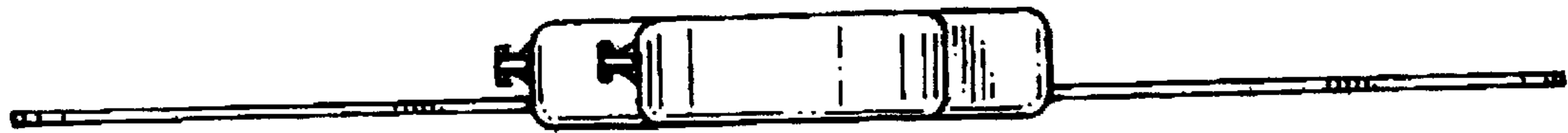


FIG. 6.



FIG. 4.

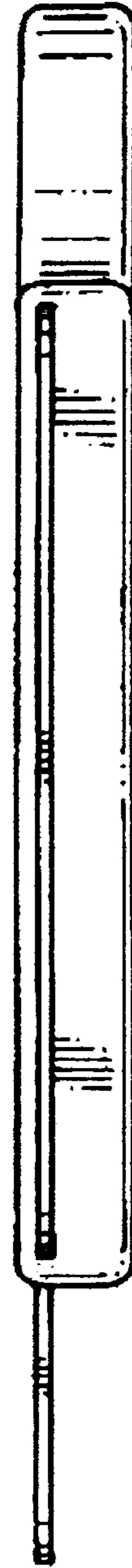


FIG. 5.