



US00D478969S

(12) **United States Design Patent**
Mezzalira

(10) **Patent No.:** **US D478,969 S**

(45) **Date of Patent:** **** Aug. 26, 2003**

- (54) **HOSE**
- (75) Inventor: **Rinaldo Mezzalira**, Arcugnano (IT)
- (73) Assignee: **Fitt S.P.A.**, Vicenza (IT)
- (**) Term: **14 Years**
- (21) Appl. No.: **29/156,484**
- (22) Filed: **Feb. 28, 2002**
- (30) **Foreign Application Priority Data**
Aug. 29, 2001 (IT) VI2001O0057
- (51) **LOC (7) Cl.** **23-01**
- (52) **U.S. Cl.** **D23/266**
- (58) **Field of Search** D23/266; 138/118,
138/118.1, 126, 128, 157

- D381,405 S * 7/1997 Waidele et al. D23/266
- D413,657 S * 9/1999 Lidgett D23/266
- D425,184 S * 5/2000 Lidgett D23/266
- D469,520 S * 1/2003 McLean D23/266

* cited by examiner

Primary Examiner—Robin V. Taylor
(74) *Attorney, Agent, or Firm*—R. Neil Sudol; Henry D. Coleman; William J. Sapone

(57) **CLAIM**

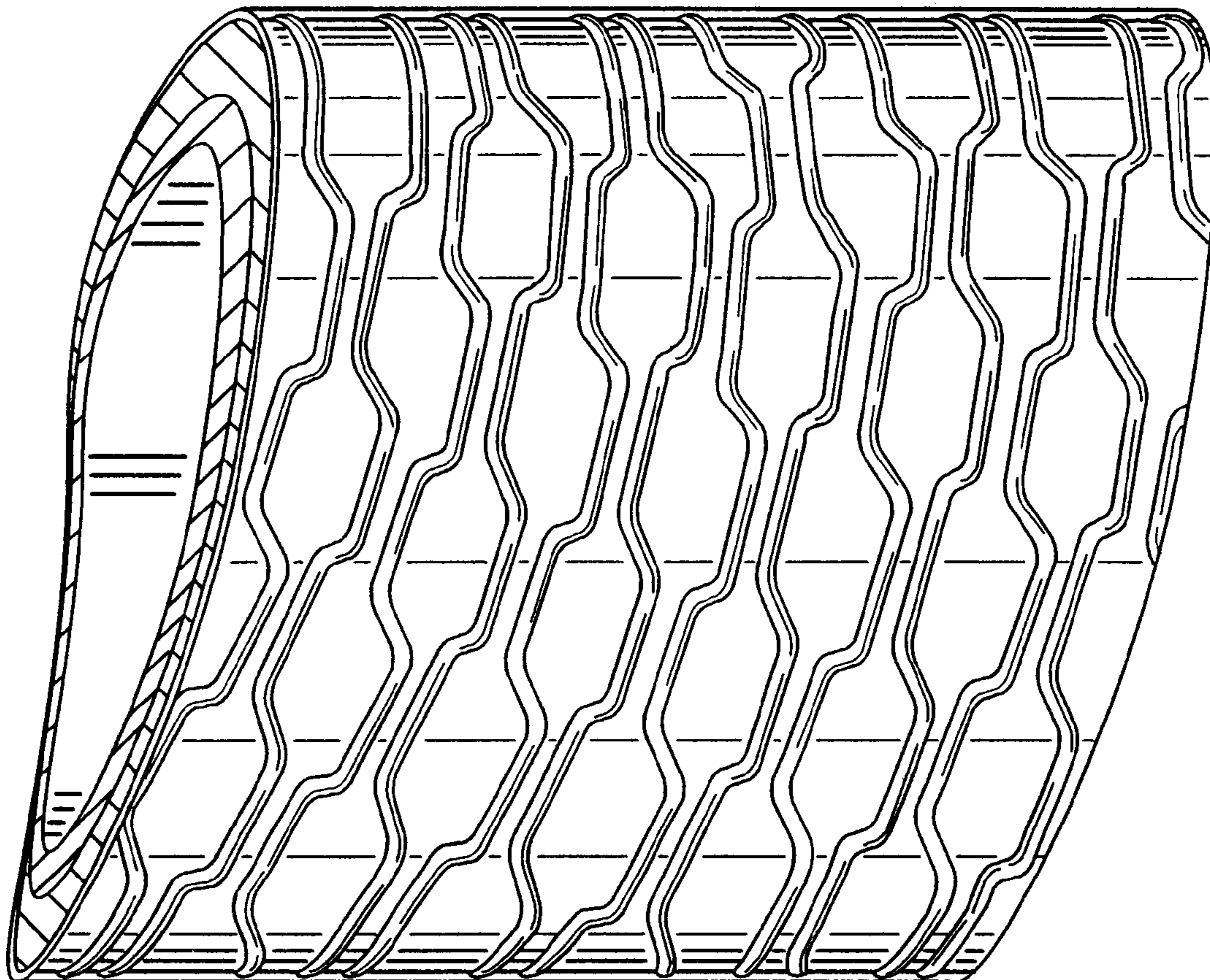
The ornamental design for hose, as shown and described.

DESCRIPTION

FIG. 1 is a partially broken away side elevational view of a hose, showing my new design; and, FIG. 2 is an enlarged view of the surface detail. The hose has a translucent outer layer in which an ornamental network or pattern is embedded.

- (56) **References Cited**
U.S. PATENT DOCUMENTS
537,318 A * 4/1895 Stowe 138/125

1 Claim, 2 Drawing Sheets



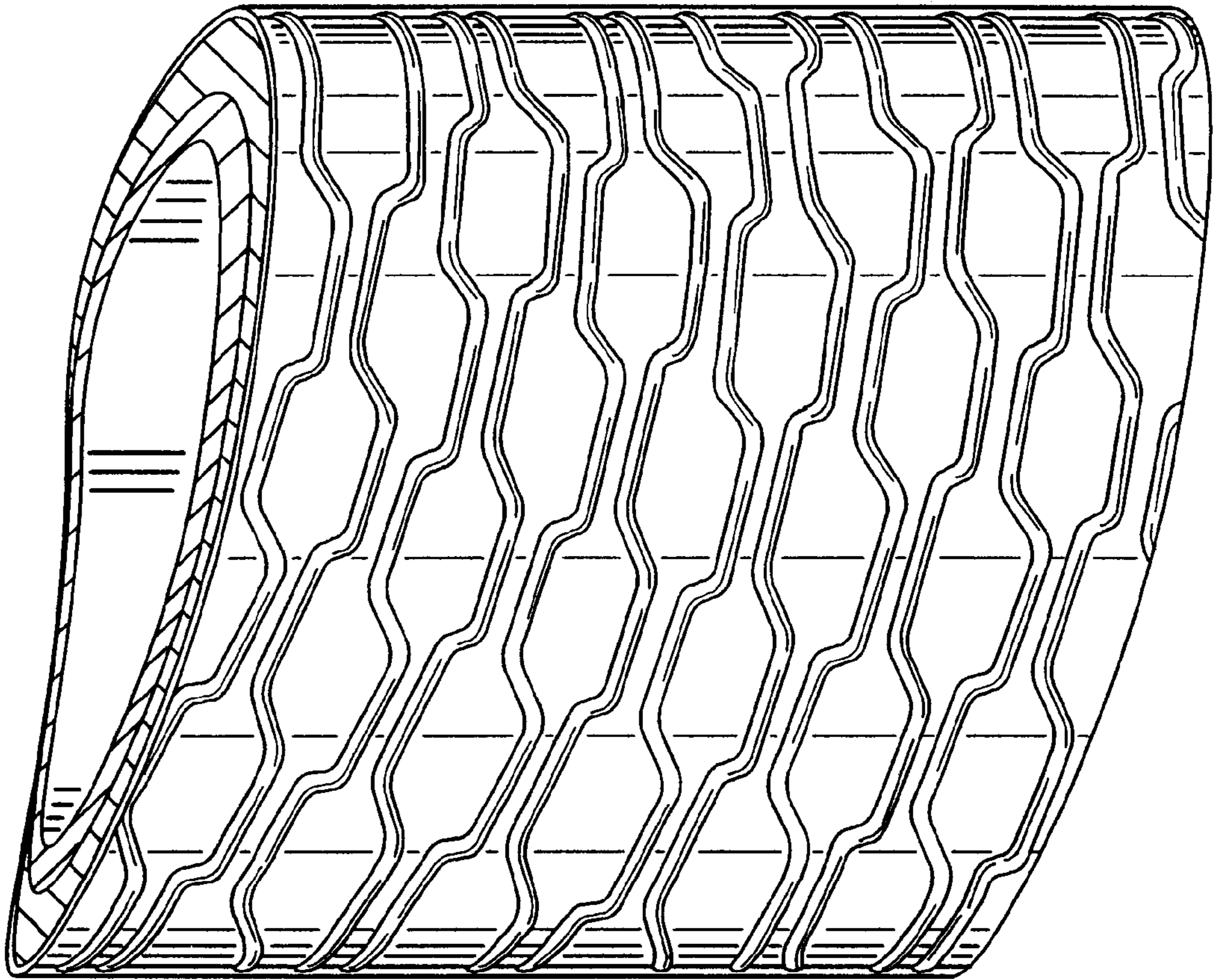


FIG. 1

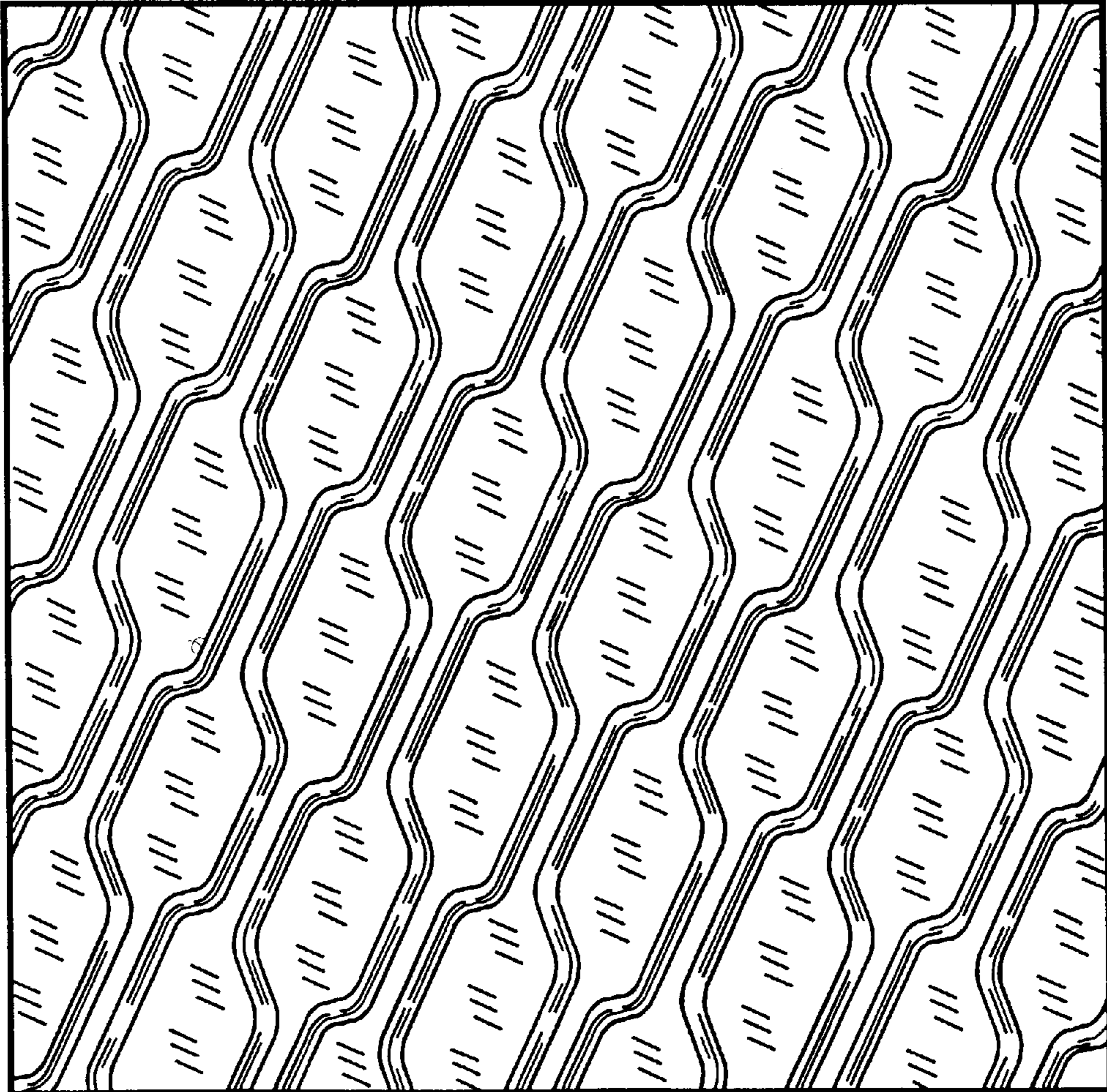


FIG. 2