



US00D478967S

(12) **United States Design Patent**
Harry

(10) **Patent No.:** **US D478,967 S**

(45) **Date of Patent:** **** Aug. 26, 2003**

(54) **FLUID SHUTOFF VALVE**

(76) **Inventor:** **Solomon G. Harry**, 7024 Blue Earth Ct., Orlando, FL (US) 32818

(**) **Term:** **14 Years**

(21) **Appl. No.:** **29/166,834**

(22) **Filed:** **Sep. 4, 2002**

(51) **LOC (7) Cl.** **23-01**

(52) **U.S. Cl.** **D23/245; D23/233; D23/235**

(58) **Field of Search** **D23/233, 235, D23/245, 249; 137/116.3, 85, 505, 505.42, 557, 219, 527, 527.6; 251/305, 332, 335.3, 329, 259**

(56) **References Cited**

U.S. PATENT DOCUMENTS

1,649,866	A	*	11/1927	Steiner	137/505
2,093,671	A	*	9/1937	Griffin	137/505
3,463,191	A	*	8/1969	Addison	137/625.29
3,572,359	A	*	3/1971	Weise	137/85
D283,244	S	*	4/1986	Wroten et al.	D23/235

D331,449	S	*	12/1992	Adishian et al.	D23/233
D361,627	S	*	8/1995	Garrard et al.	D23/235
D403,049	S	*	12/1998	Ohtani et al.	D23/233
D449,093	S	*	10/2001	Engelbrektsson et al.	..	D23/235
D449,872	S	*	10/2001	Lohde et al.	D23/233
D458,986	S	*	6/2002	Doki	D23/235

* cited by examiner

Primary Examiner—Nelson C. Holtje

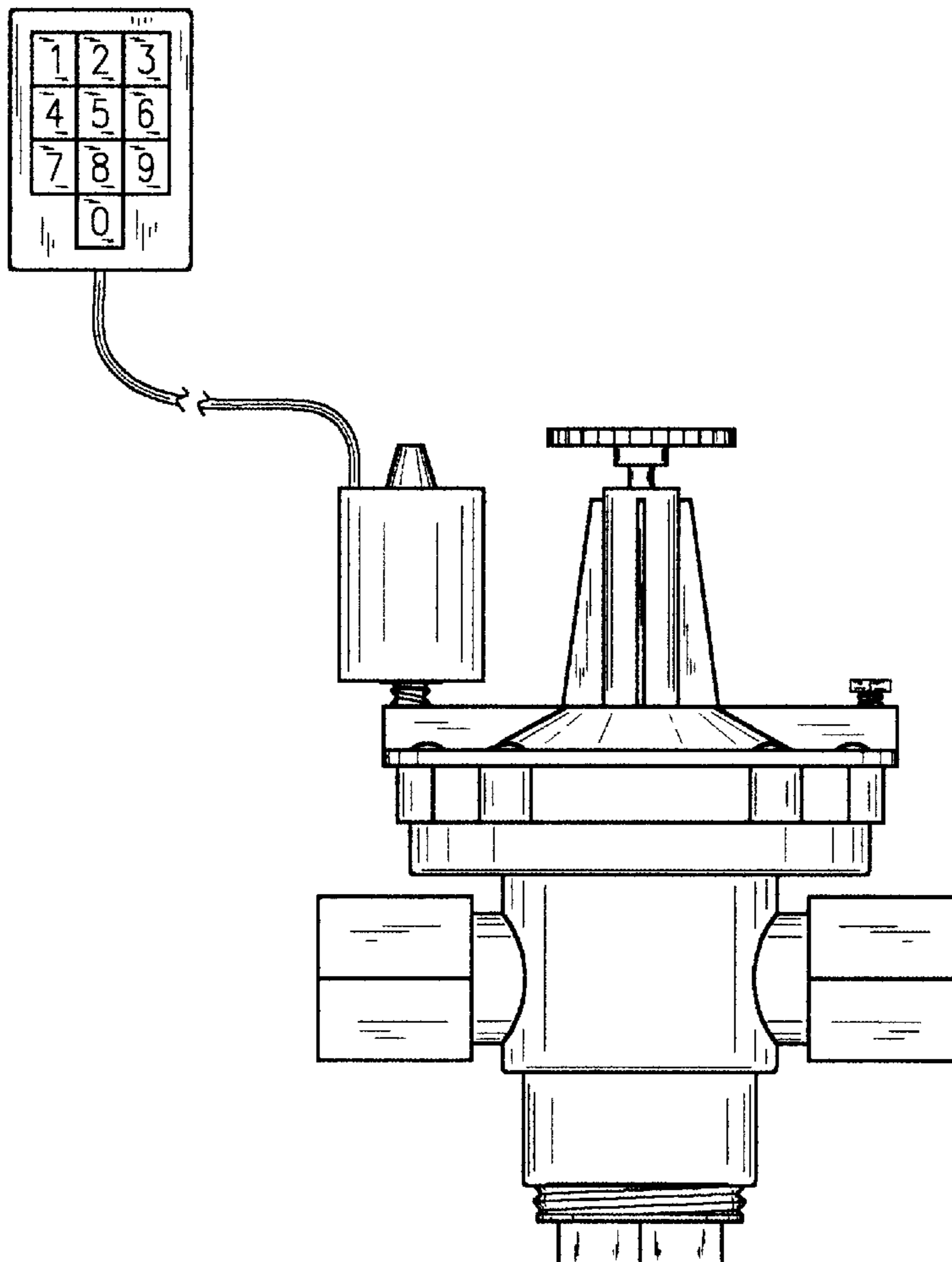
(57) **CLAIM**

The ornamental design for a fluid shutoff valve, as shown and described.

DESCRIPTION

FIG. 1 is a front elevational view of a fluid shutoff valve showing my new design;
FIG. 2 is a rear elevational view thereof;
FIG. 3 is a side view, taken from the left side of FIG. 1;
FIG. 4 is a side view, taken from the right side of FIG. 1;
FIG. 5 is a top plan view thereof; and,
FIG. 6 is a bottom plan view thereof.

1 Claim, 2 Drawing Sheets



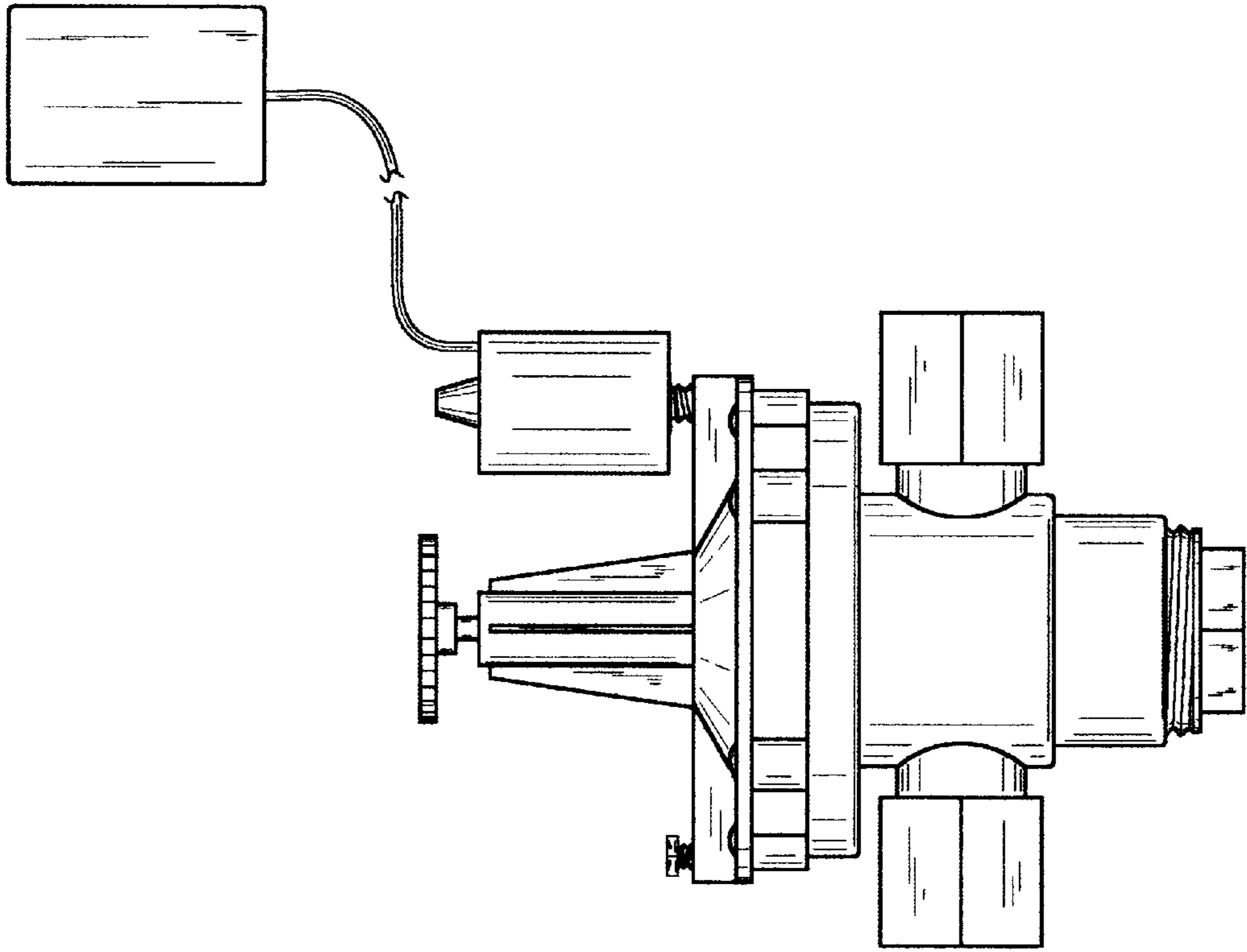


FIG. 1

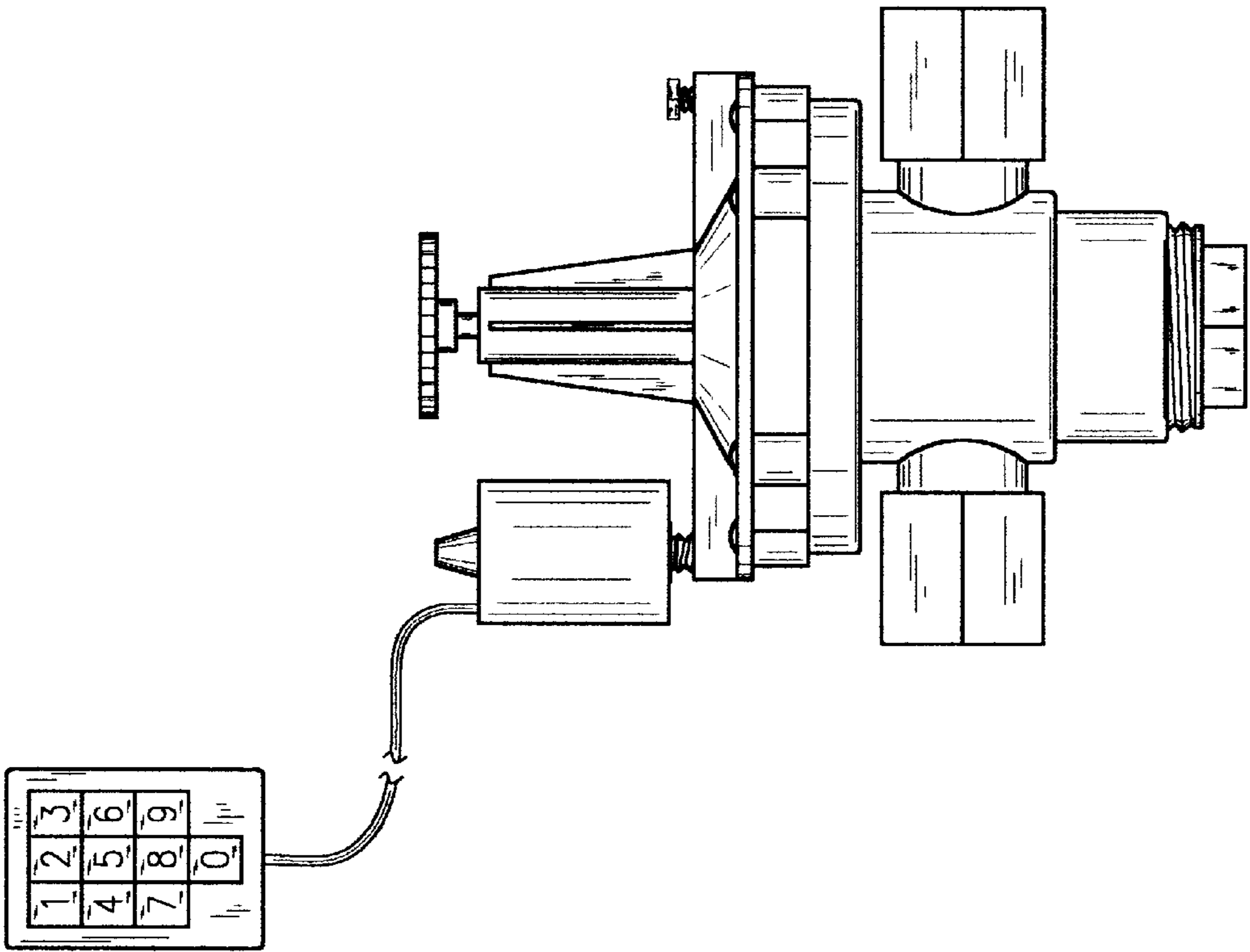


FIG. 2

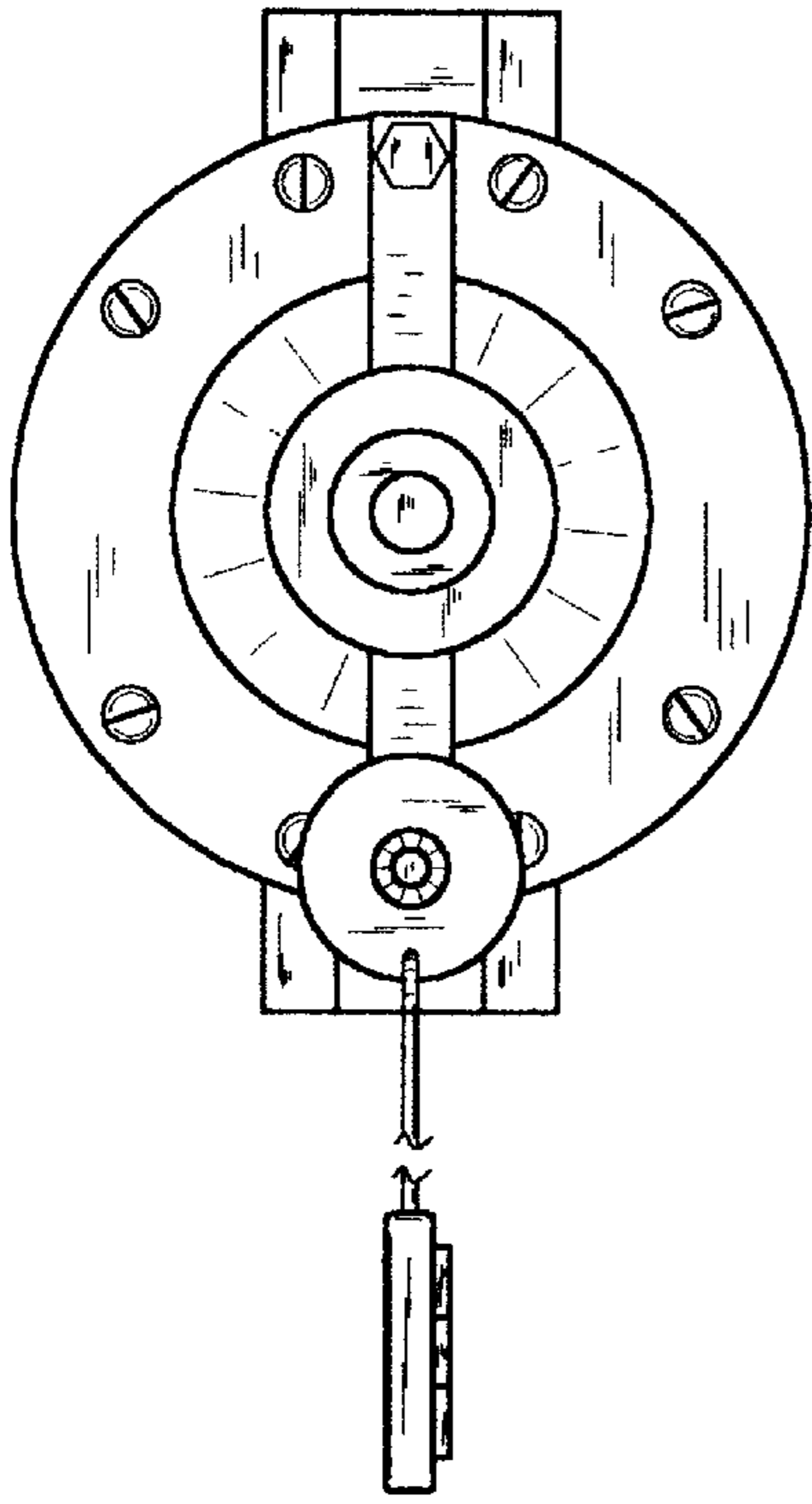


FIG. 5

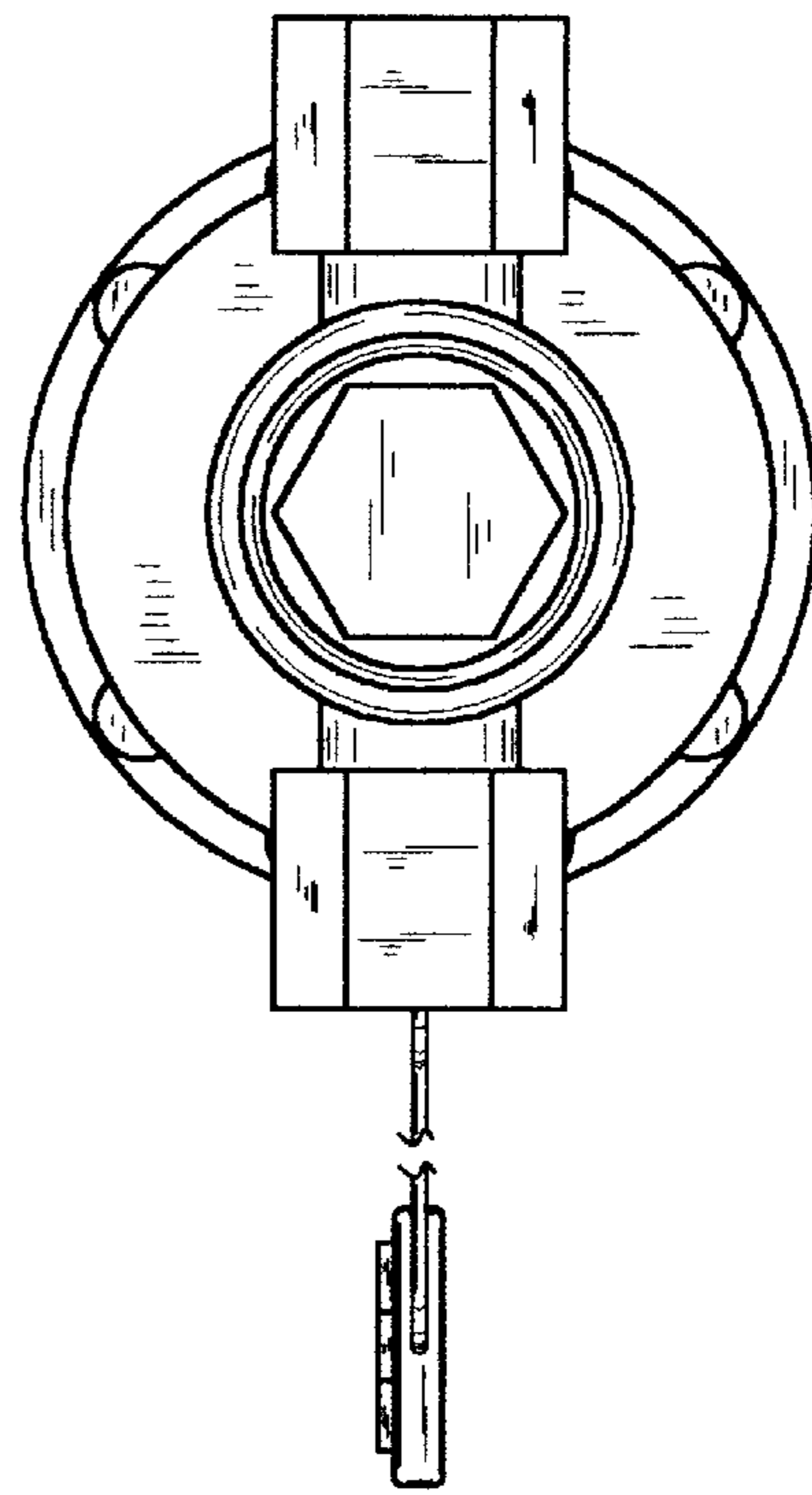


FIG. 6

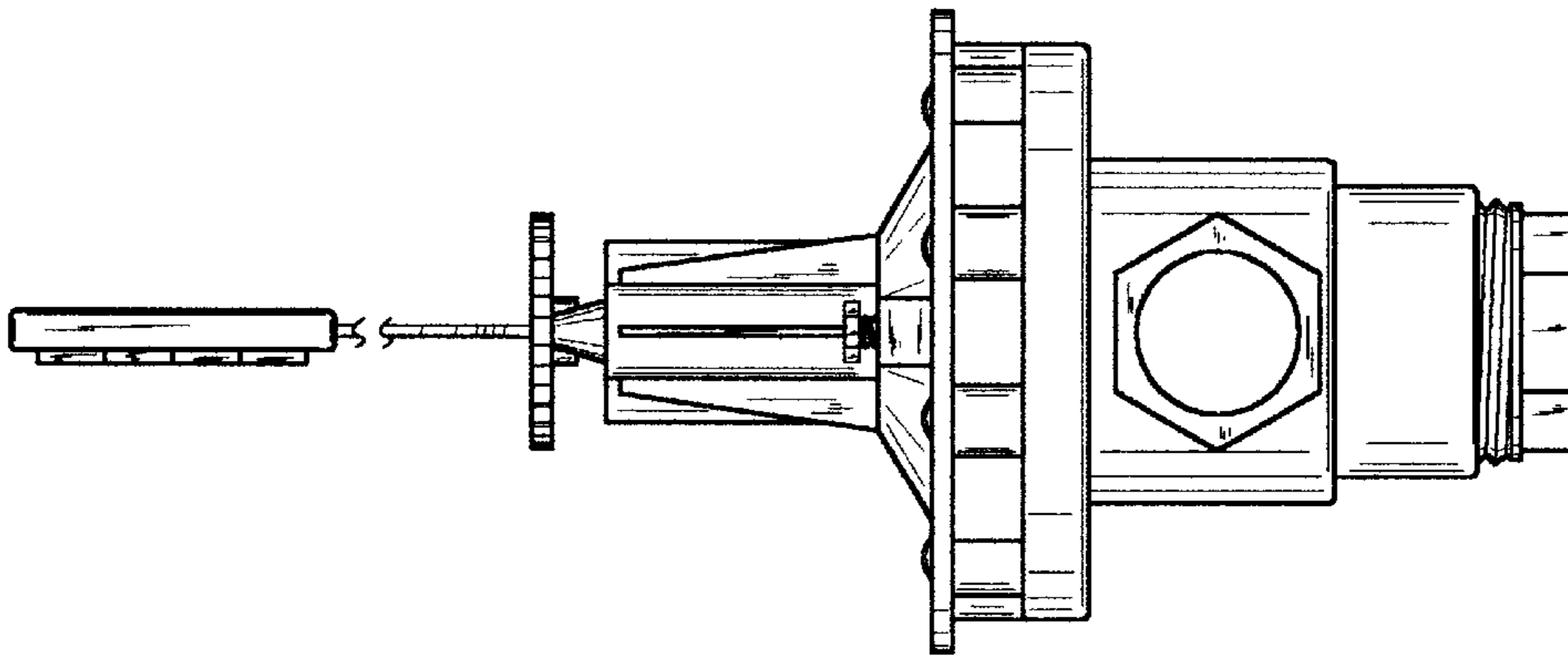


FIG. 4

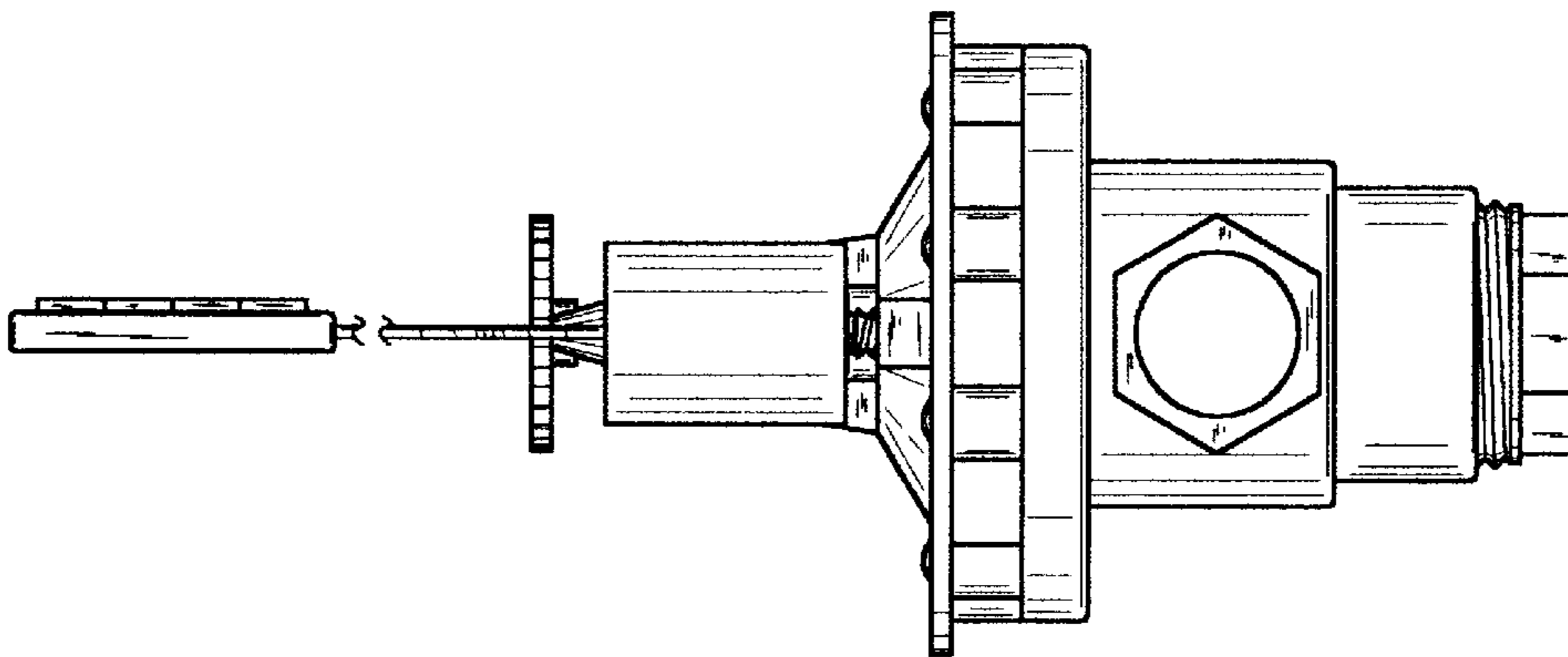


FIG. 3