



US00D478966S

(12) **United States Design Patent** (10) **Patent No.:** **US D478,966 S**
Citterio (45) **Date of Patent:** **** Aug. 26, 2003**

(54) **SANITARY FAUCET**

(75) Inventor: **Antonio Citterio**, Milan (IT)

(73) Assignee: **Hansgrohe AG**, Schiltach (DE)

(**) Term: **14 Years**

(21) Appl. No.: **29/166,714**

(22) Filed: **Sep. 3, 2002**

(30) **Foreign Application Priority Data**

Mar. 5, 2002 (DE) 402 01 868

(51) **LOC (7) Cl.** **23-01**

(52) **U.S. Cl.** **D23/238; D23/255; D23/257**

(58) **Field of Search** **D23/238-243, D23/250-257; 4/675-678; 137/801**

(56) **References Cited**

U.S. PATENT DOCUMENTS

- D291,478 S * 8/1987 Gregory D23/257
- D301,056 S * 5/1989 Paul D23/242
- D302,203 S * 7/1989 Paul D23/257
- D397,768 S * 9/1998 Delabie et al. D23/238

OTHER PUBLICATIONS

- Rubinetterie Bandini, brochure "The Collections," two pages, Mar. 2002.
- Rubinetterie Alpi, brochure "Balmoral Collection," two pages, 1999.

Renata Piralla, catalog "Sign Collection 2001-2002," Mar. 2002.

Rubinetterie Cristina, catalog "Collection 2000/2," pp. 18, 19, 2000.

Rubinetterie Cristina, catalog "disegno," on page, Jan., 2001.

* cited by examiner

Primary Examiner—Louis S. Zarfes

Assistant Examiner—Gregory Andoll

(74) *Attorney, Agent, or Firm*—Duane Morris LLP

(57) **CLAIM**

The ornamental design for a sanitary faucet, as shown and described.

DESCRIPTION

FIG. 1: is a side perspective view of the sanitary faucet showing my new design;

FIG. 2: is a rear elevation view thereof;

FIG. 3: is a front elevation view thereof;

FIG. 4: is a side elevation view, the opposite side being a mirror image;

FIG. 5: is a top plan view thereof; and,

FIG. 6: is a bottom plan view thereof.

The broken lines in the Figures are for illustrative purposes and form no part of the claimed design.

1 Claim, 3 Drawing Sheets

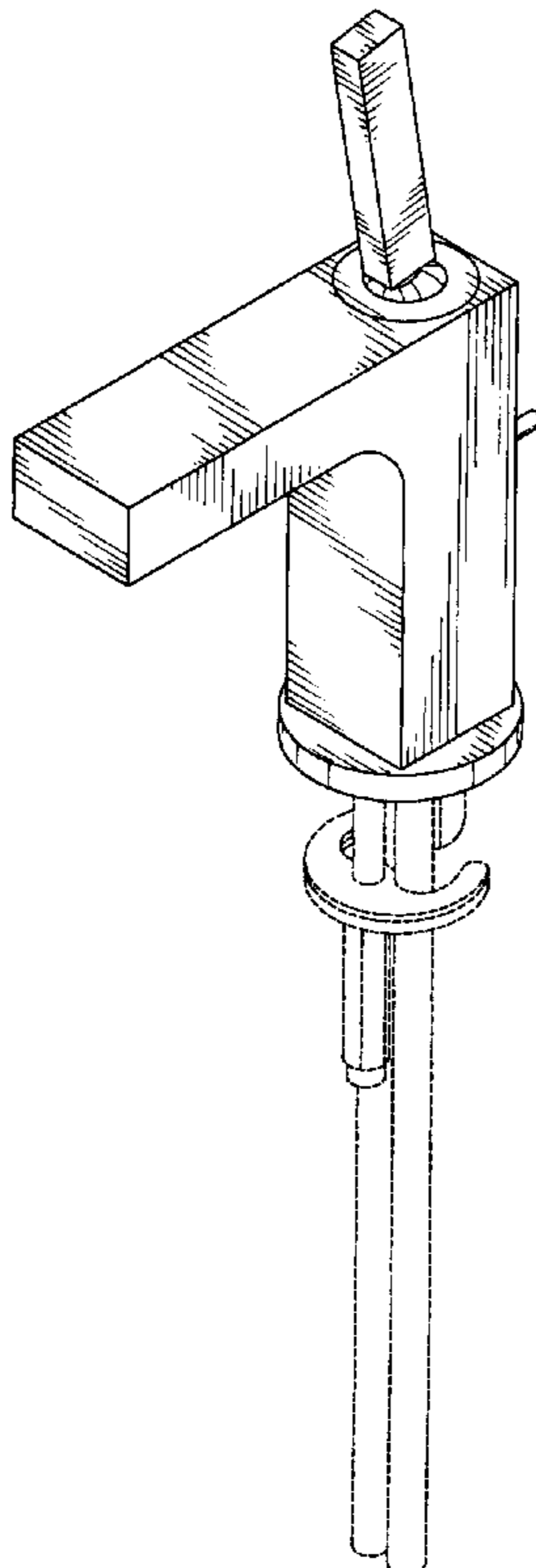


FIG. 1

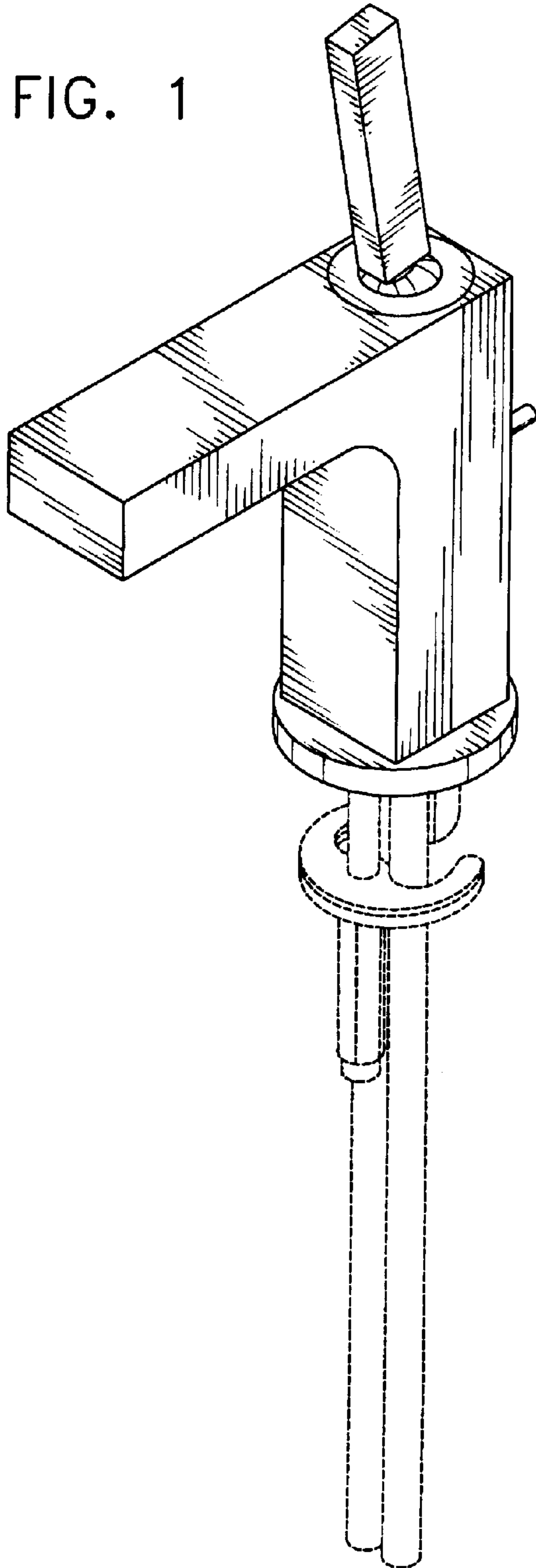
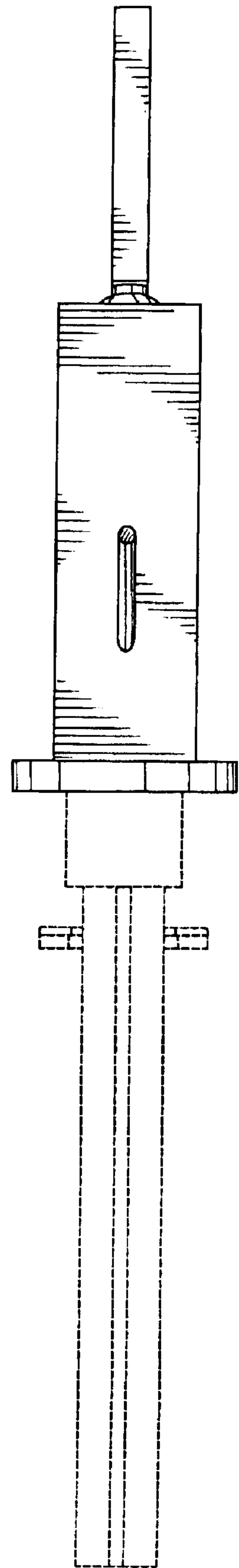


FIG. 2



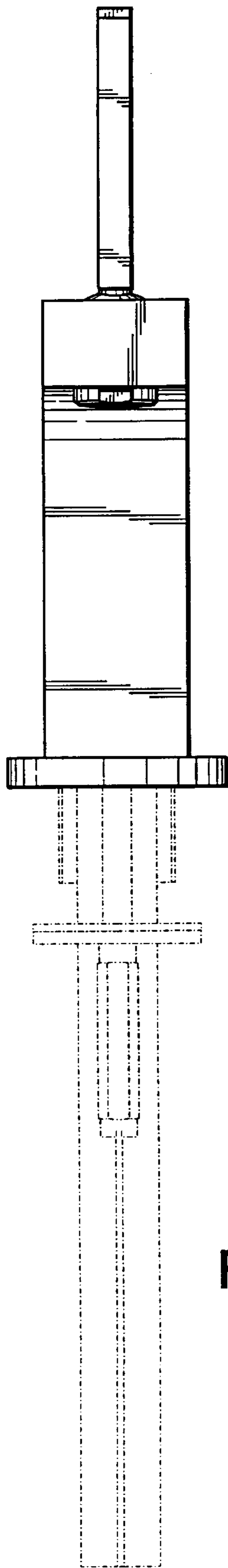


FIG. 3

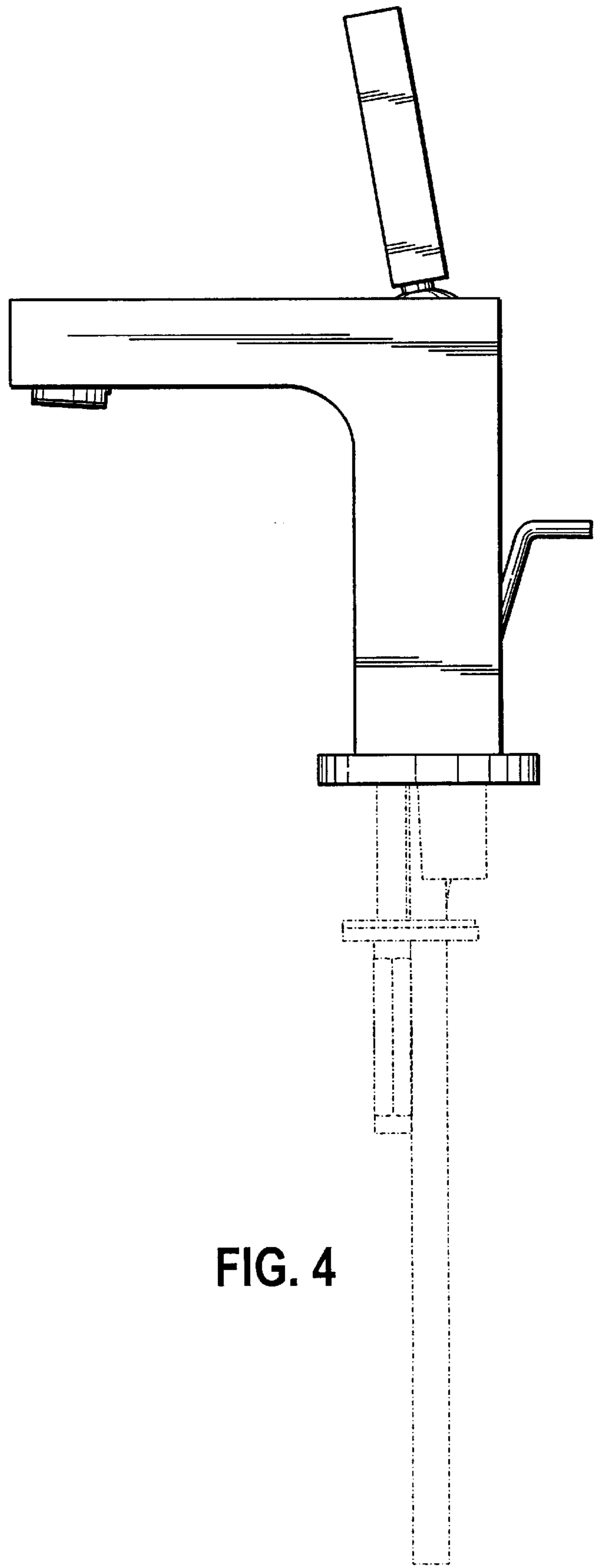


FIG. 4

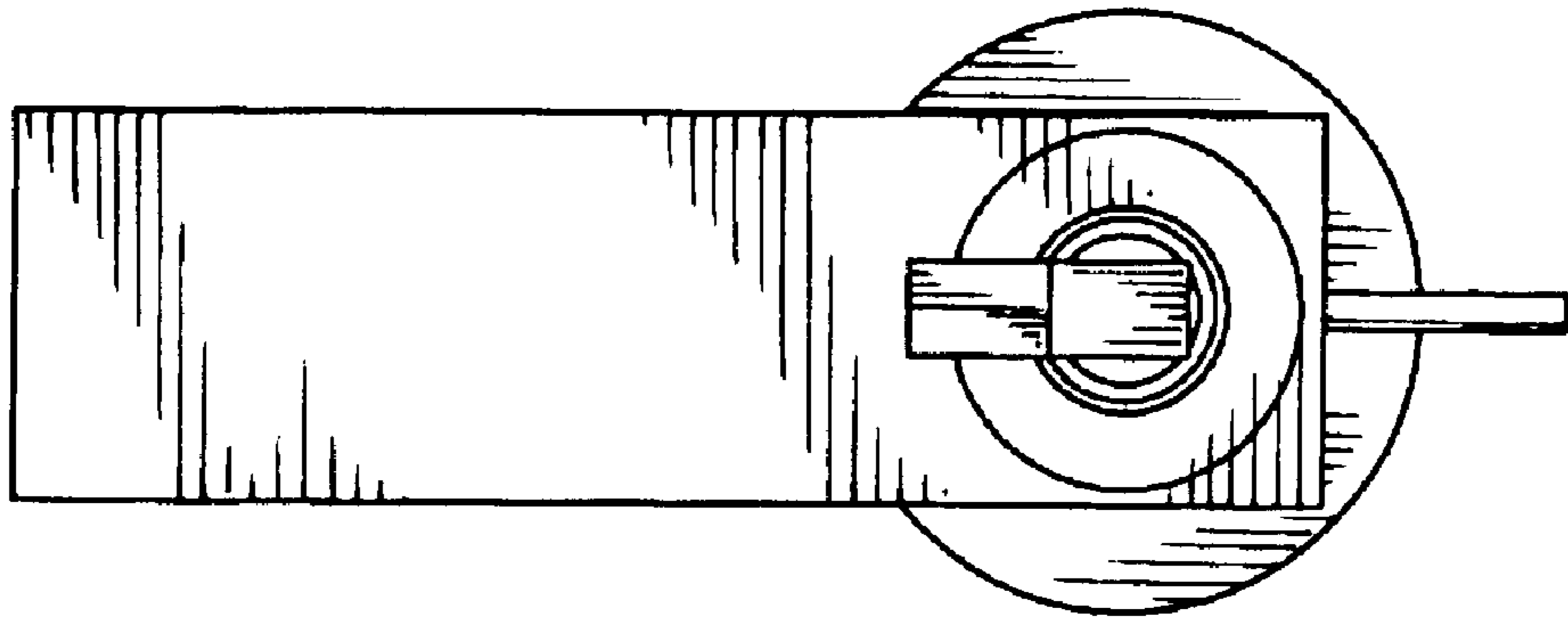


FIG. 5

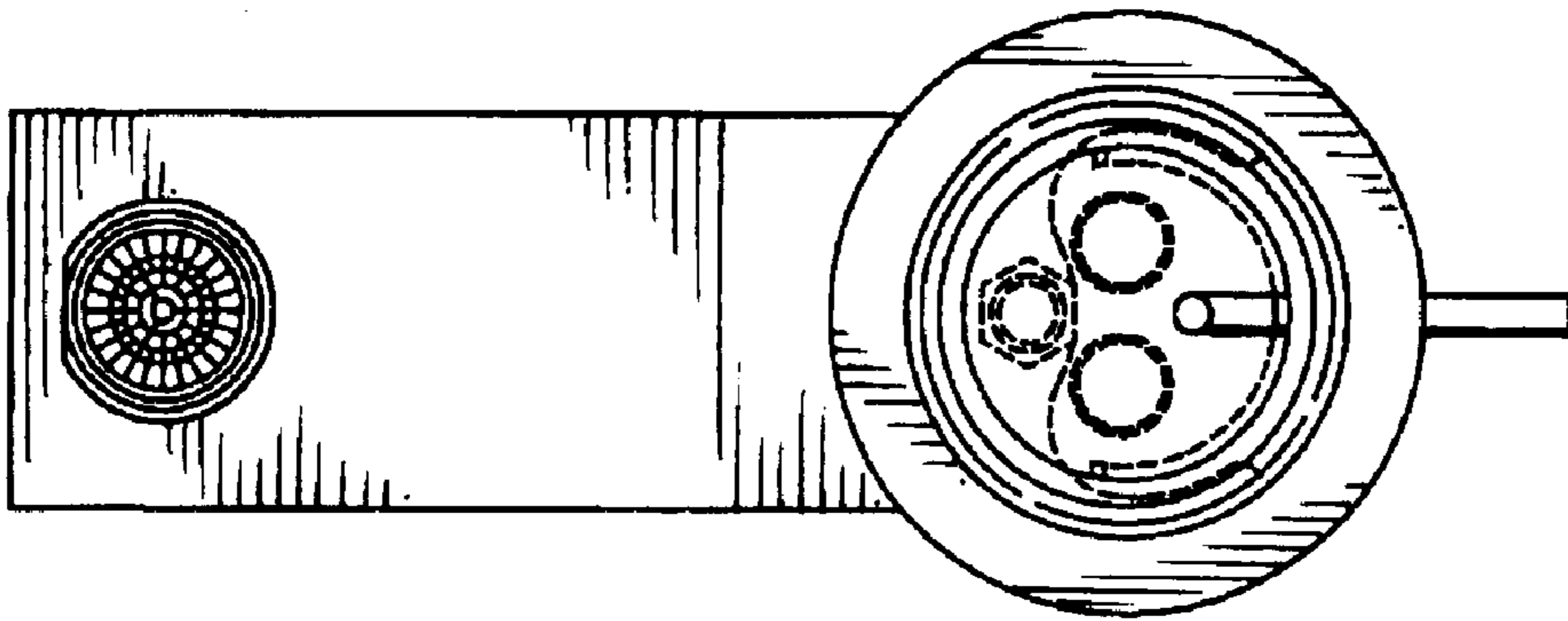


FIG. 6