



US00D478964S

(12) **United States Design Patent** (10) **Patent No.:** **US D478,964 S**
Williams et al. (45) **Date of Patent:** **** Aug. 26, 2003**

(54) **PAINT SPRAYER**

(75) Inventors: **Mary Lynn Williams**, Brentwood, TN (US); **Robert Kyle Whitaker**, Mt. Juliet, TN (US); **Kinshun Yan**, New York, NY (US); **William H. Valls**, Loveland, OH (US)

(73) Assignee: **Campbell Hausfeld/Scott Fetzer Company**, Harrison, OH (US)

(**) Term: **14 Years**

(21) Appl. No.: **29/176,037**

(22) Filed: **Feb. 14, 2003**

Related U.S. Application Data

(62) Division of application No. 29/163,667, filed on Jul. 10, 2002.

(51) **LOC (7) Cl.** **23-01**

(52) **U.S. Cl.** **D23/225**

(58) **Field of Search** D23/213, 225; D8/1, 2; 239/302, 332

(56) **References Cited**

U.S. PATENT DOCUMENTS

817,819 A	4/1906	Walkup	
1,191,751 A	7/1916	Walkup	
1,272,438 A	7/1918	Heinrich	
1,899,222 A	2/1933	Werder	
1,900,668 A	3/1933	Roselund	
1,988,979 A	1/1935	Campbell	
1,992,426 A	2/1935	Herbsman et al.	
2,372,678 A	4/1945	McKay	
2,626,185 A	1/1953	Roselund	
2,743,959 A	5/1956	Nelson et al.	
3,367,578 A	2/1968	Juvinall et al.	
3,507,309 A	4/1970	Johnson	
3,565,344 A	2/1971	Takei et al.	
D234,838 S	4/1975	Culling	
D235,063 S	5/1975	Gunzel et al.	
D235,544 S *	6/1975	Bippus et al. D23/225
3,892,359 A	7/1975	Dwyer, Jr. et al.	

D237,796 S	11/1975	Wagner	
3,931,914 A	1/1976	Hosaka et al.	
4,030,665 A	6/1977	Koyama	
D251,382 S	3/1979	Reed	
4,168,788 A	9/1979	Quinn	
4,176,793 A	12/1979	Heinrich	
4,572,438 A	2/1986	Traylor	
D286,426 S	10/1986	Lin	
4,628,644 A	12/1986	Somers	
4,693,423 A	9/1987	Roe et al.	
D295,214 S *	4/1988	Miller D23/225
D307,463 S	4/1990	Fushiya et al.	
D318,317 S *	7/1991	Norman D23/225
5,150,841 A	9/1992	Silvenis et al.	
D331,095 S	11/1992	Steinberg	
5,623,974 A	4/1997	Losenno et al.	
5,657,909 A	8/1997	Barriac	
5,718,668 A	2/1998	Arnett et al.	
D397,420 S	8/1998	Campbell	
5,794,854 A	8/1998	Yie	

(List continued on next page.)

OTHER PUBLICATIONS

Web page for PS 2001 Power Sprayer and Product Fact Sheet.

Primary Examiner—Robin V. Taylor
(74) *Attorney, Agent, or Firm*—Jones Day

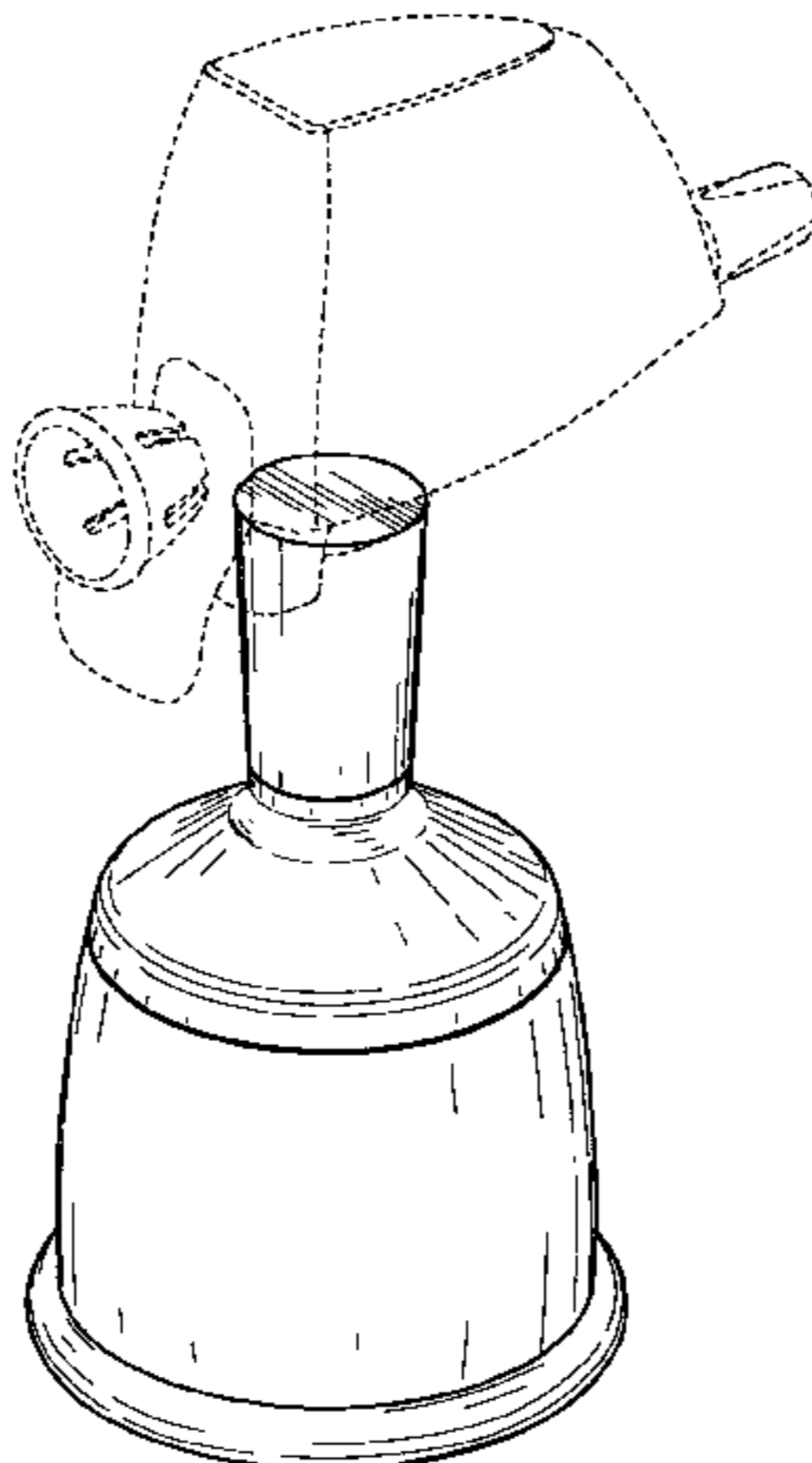
(57) **CLAIM**

The ornamental design for a paint sprayer, as shown and described.

DESCRIPTION

FIG. 1 is a perspective view of the paint sprayer of our new design;
FIG. 2 is a front view thereof;
FIG. 3 is a rear view thereof;
FIG. 4 is a left side view thereof, the opposite side view being a mirror image;
FIG. 5 is a top view thereof; and,
FIG. 6 is a bottom view thereof.
The broken line showings of FIGS. 1–6 are for illustrative purposes only and form no part of the claimed design.

1 Claim, 2 Drawing Sheets



US D478,964 S

Page 2

U.S. PATENT DOCUMENTS

D432,372 S	*	10/2000	Iacofano et al.	D8/2	6,336,254 B1	1/2002	Graff et al.
6,152,386 A		11/2000	Bullock et al.		D461,226 S	8/2002	Hunter
6,168,093 B1		1/2001	Greer et al.		6,502,763 B1	1/2003	McCann
D451,792 S		12/2001	Siebert et al.		6,502,766 B1	1/2003	Streutker et al.

* cited by examiner

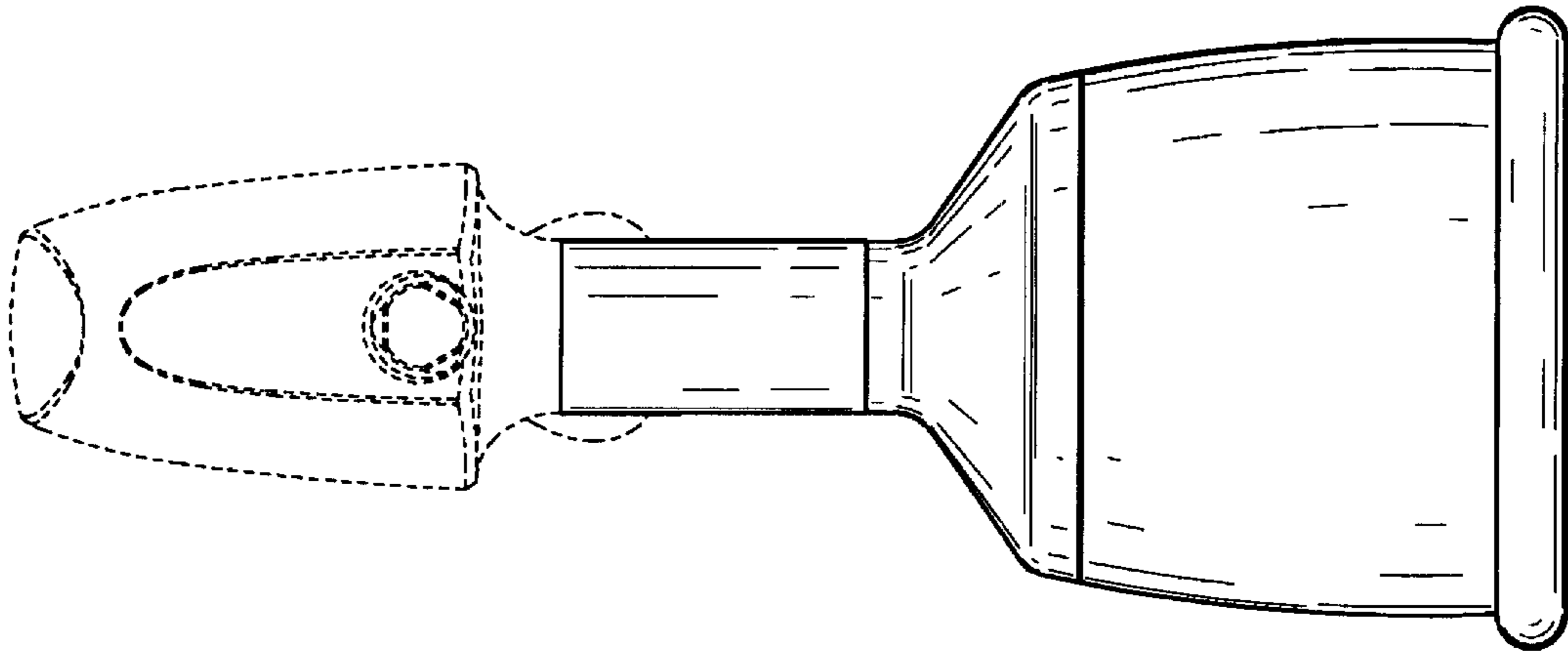


Fig.3

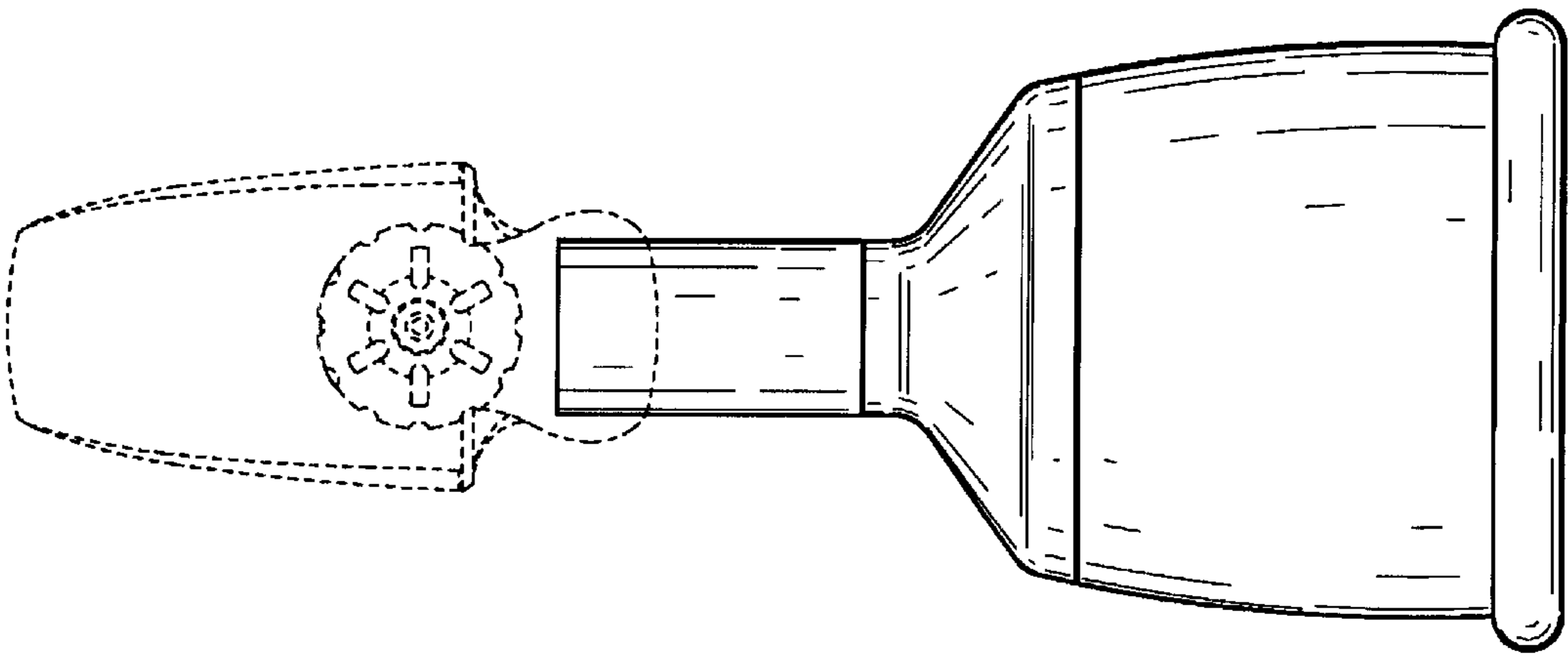


Fig.2

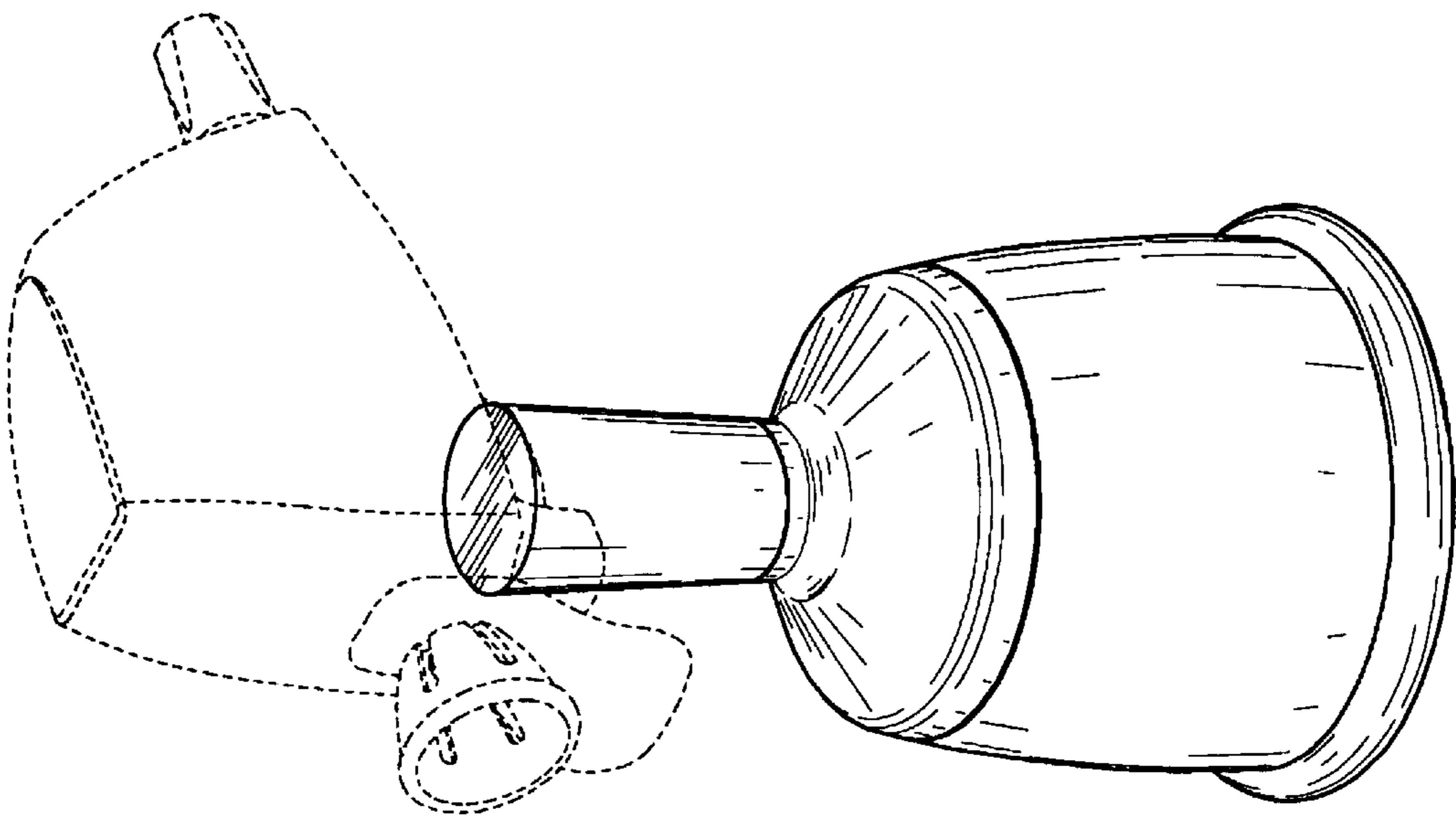


Fig.1

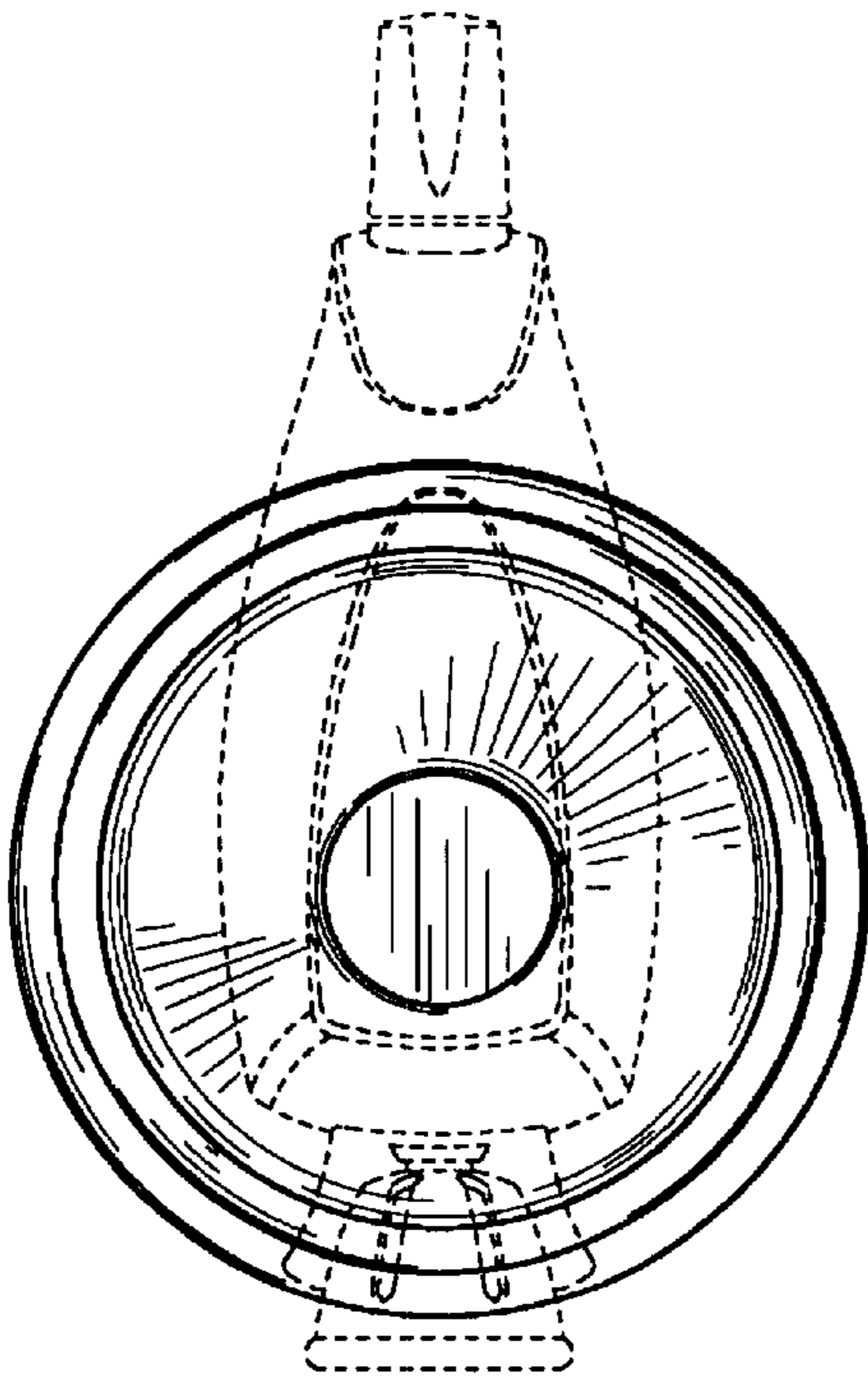


Fig.5

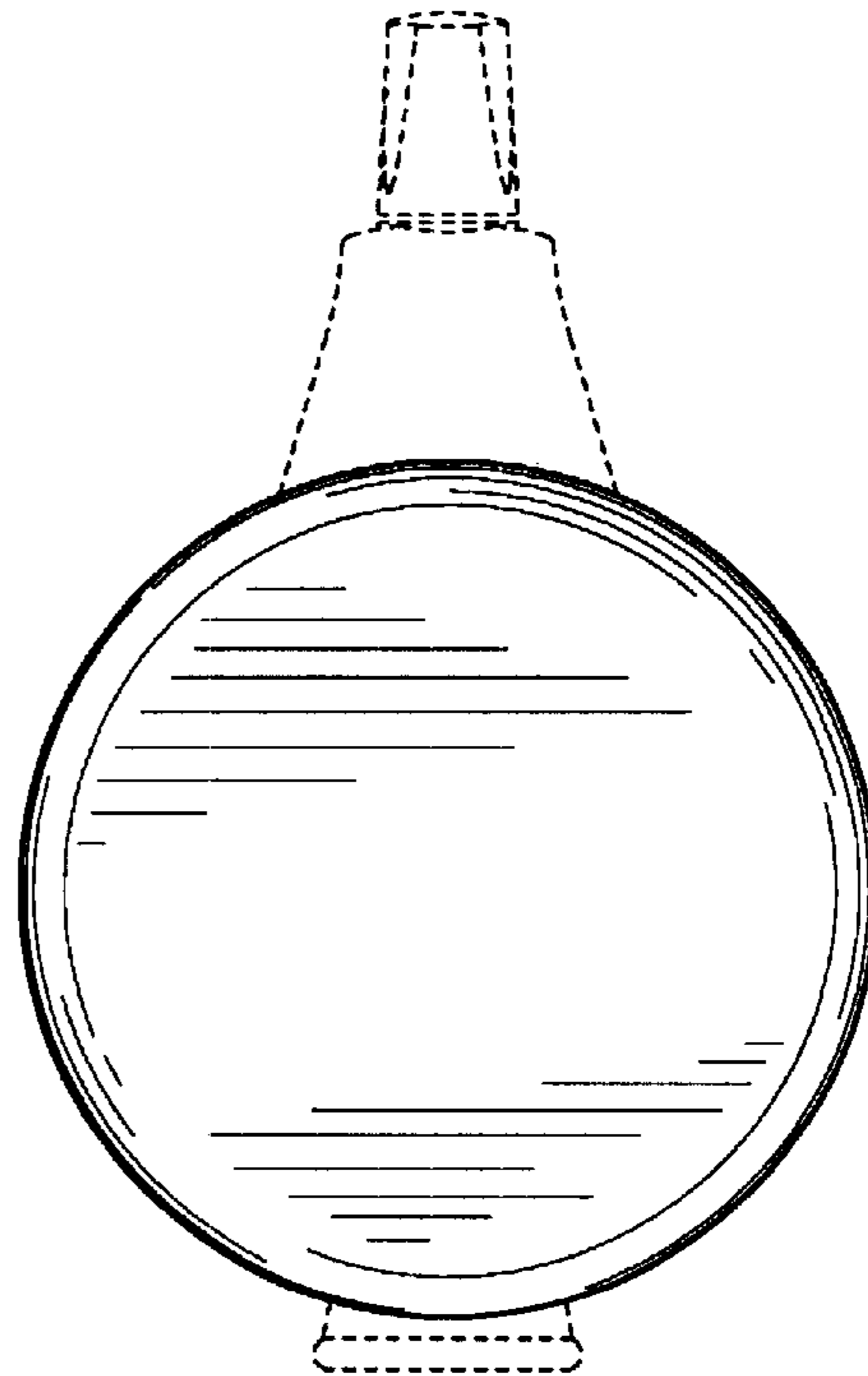


Fig.6

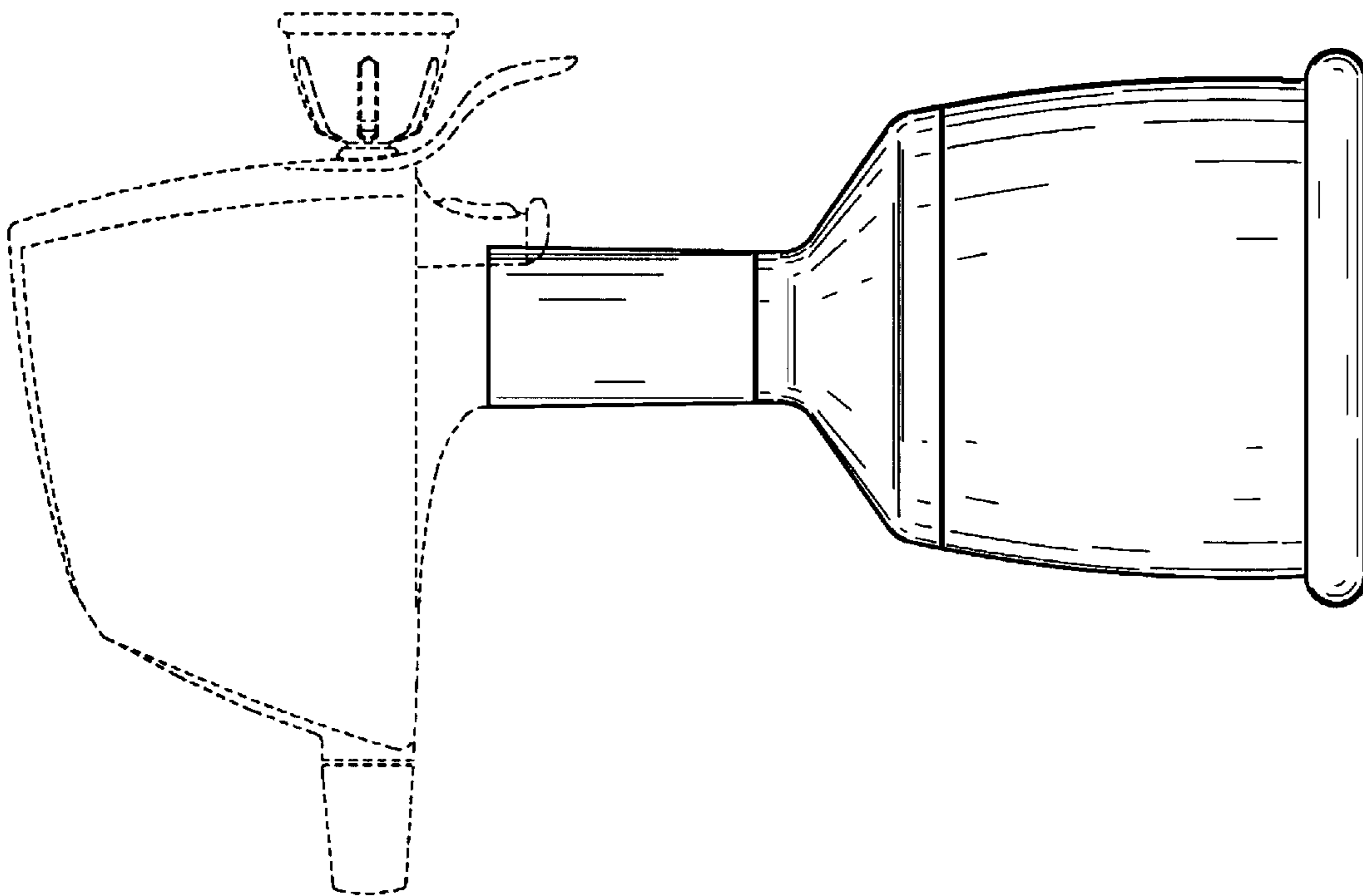


Fig.4