



US00D478962S

(12) **United States Design Patent**
Rogers et al.

(10) **Patent No.:** **US D478,962 S**

(45) **Date of Patent:** **** Aug. 26, 2003**

(54) **FISHING LINE WEIGHT**

D375,783 S * 11/1996 Galligan, III D22/145
D405,866 S * 2/1999 Laney D22/145

(76) Inventors: **Charles P. Rogers**, 11660 Old Concord Rd., Rockwell, NC (US) 28138; **Patsy F. Rogers**, 11660 Old Concord Rd., Rockwell, NC (US) 28138

* cited by examiner

Primary Examiner—Catherine R. Oliver

(**) Term: **14 Years**

(57) **CLAIM**

(21) Appl. No.: **29/171,204**

The ornamental design for a fishing line weight, as shown and described.

(22) Filed: **Nov. 19, 2002**

DESCRIPTION

(51) **LOC (7) Cl.** **22-05**

(52) **U.S. Cl.** **D22/145**

(58) **Field of Search** D22/145, 144,
D22/146; 43/42.36, 42.48, 42.45, 42.35,
42.37, 42.32, 42.39, 43.12, 42.06, 44.9

FIG. 1 is a front elevated view of a fishing line weight showing my new design.

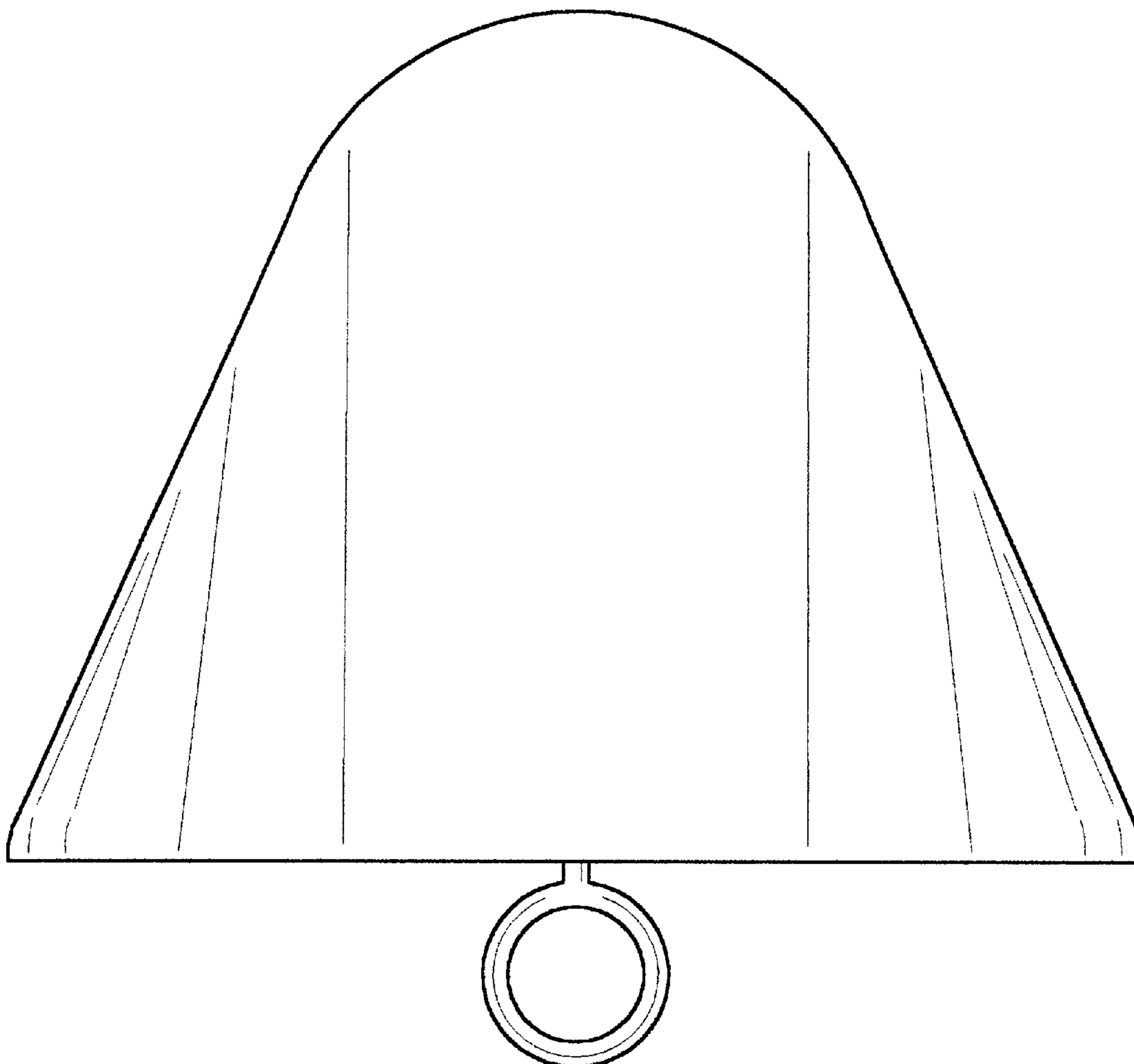
FIG. 2 is a side elevated view of the fishing line weight, the opposite side elevated view being a mirror image thereof; FIG. 3 is a top plan view of the fishing line weight; and, FIG. 4 is a bottom plan view of the fishing line weight.

(56) **References Cited**

U.S. PATENT DOCUMENTS

2,917,861 A * 12/1959 Hines 43/44.96

1 Claim, 2 Drawing Sheets



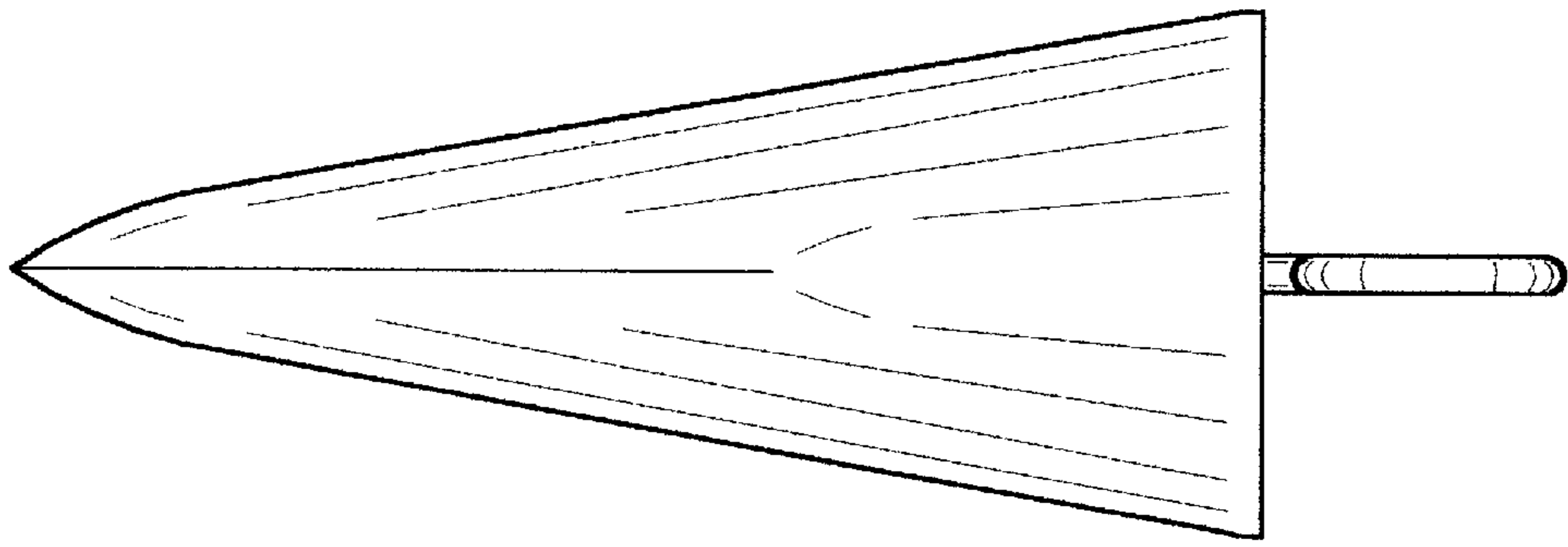


FIG. 2

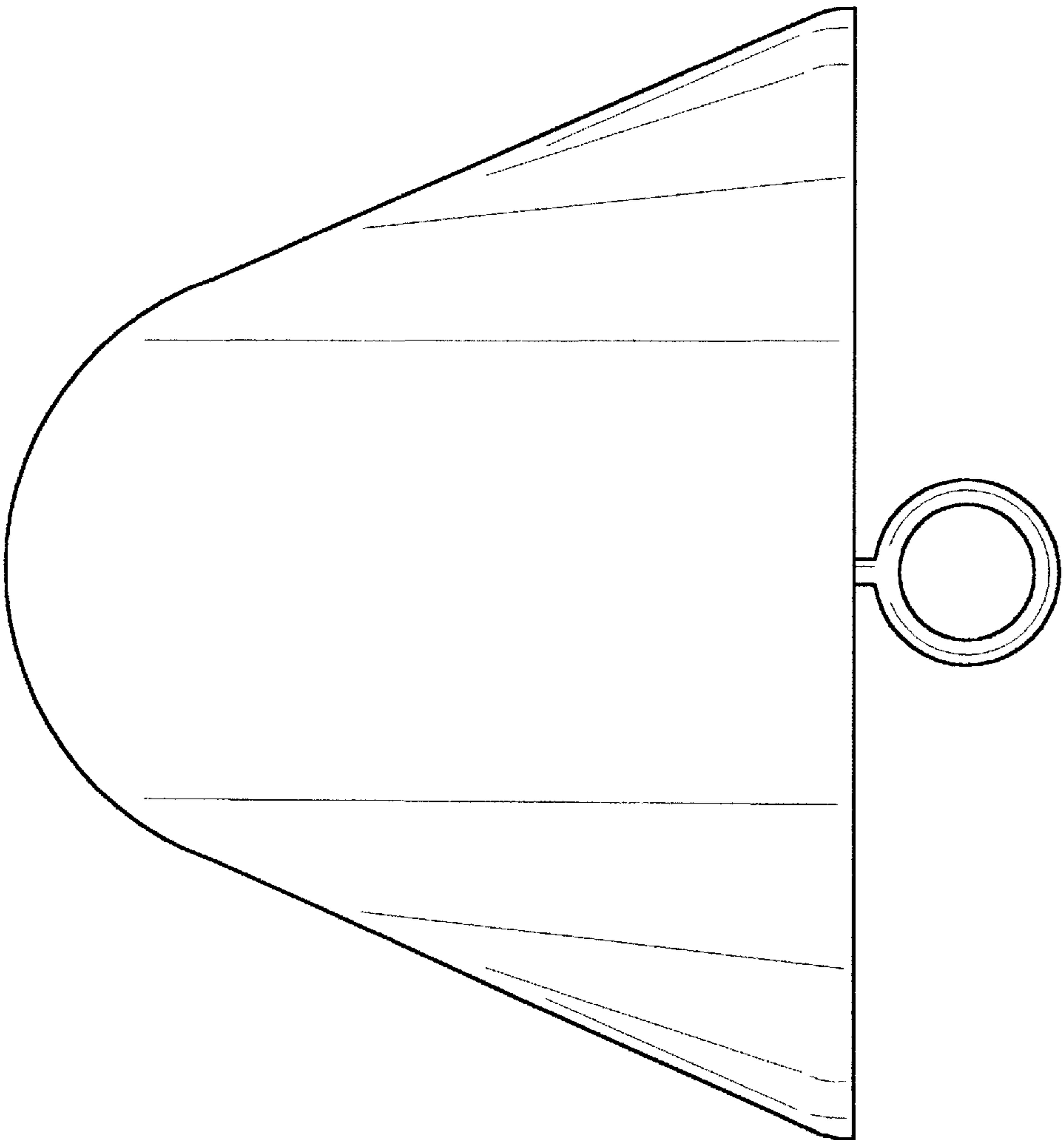


FIG. 1

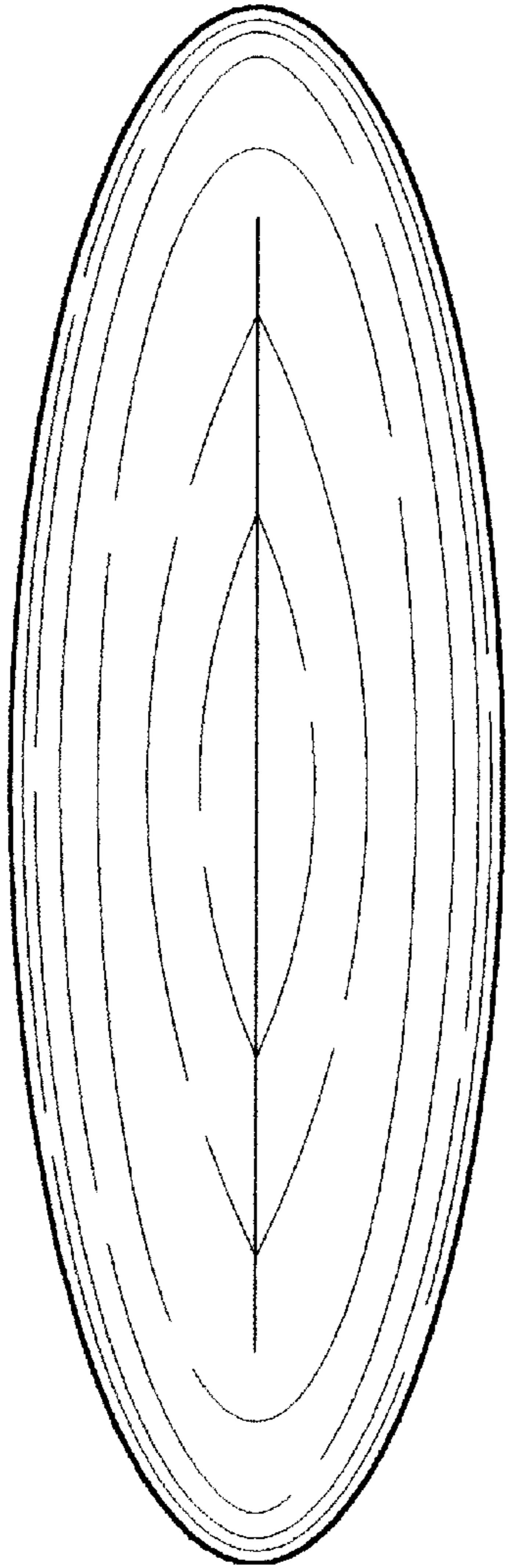


FIG. 3

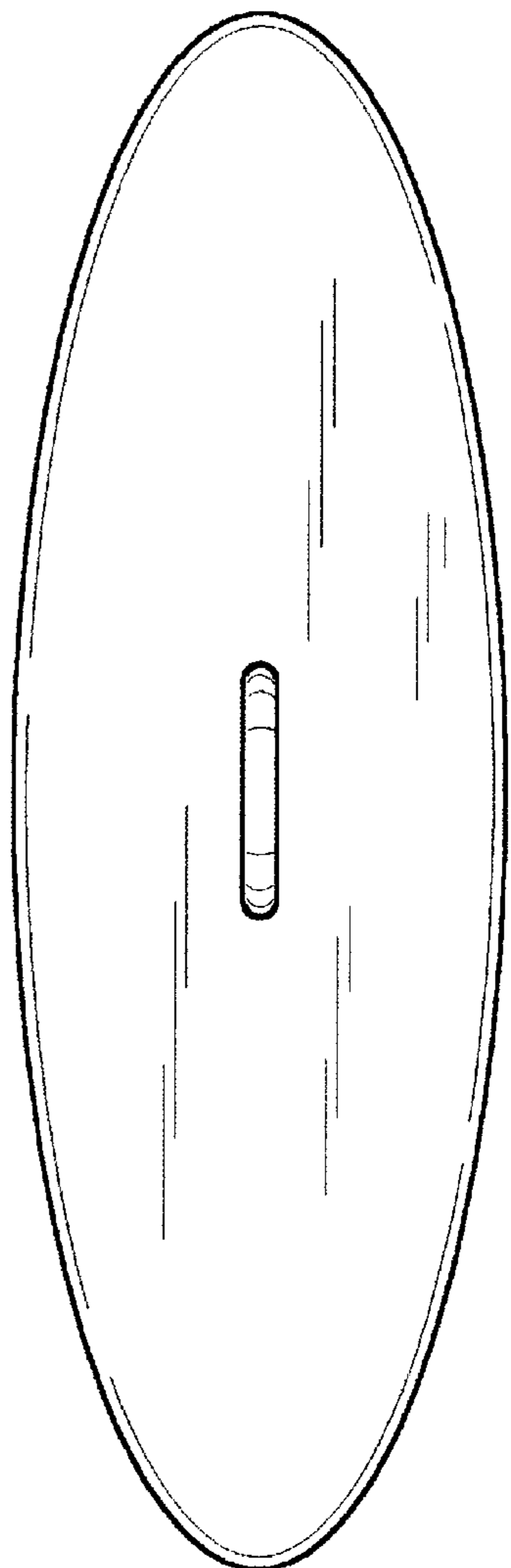


FIG. 4