



US00D478959S

(12) **United States Design Patent**
Garretson

(10) **Patent No.:** **US D478,959 S**

(45) **Date of Patent:** **** Aug. 26, 2003**

(54) **AUTOMATIC ROACH TRAP**

5,979,108 A * 11/1999 Adams 43/121

(76) Inventor: **John E. Garretson**, 3521 E. Rose La.,
Paradise Valley, AZ (US) 85283

* cited by examiner

(**) Term: **14 Years**

Primary Examiner—Catherine R. Oliver
(74) *Attorney, Agent, or Firm*—Joseph H. Roediger;
Gregory J. Nelson

(21) Appl. No.: **29/170,463**

(57) **CLAIM**

(22) Filed: **Nov. 5, 2002**

The ornamental design for an automatic roach trap, as shown and described.

(51) **LOC (7) Cl.** **22-06**

(52) **U.S. Cl.** **D22/122**

(58) **Field of Search** D22/119–125;
43/121, 131, 114, 132.1, 108, 107, 133

DESCRIPTION

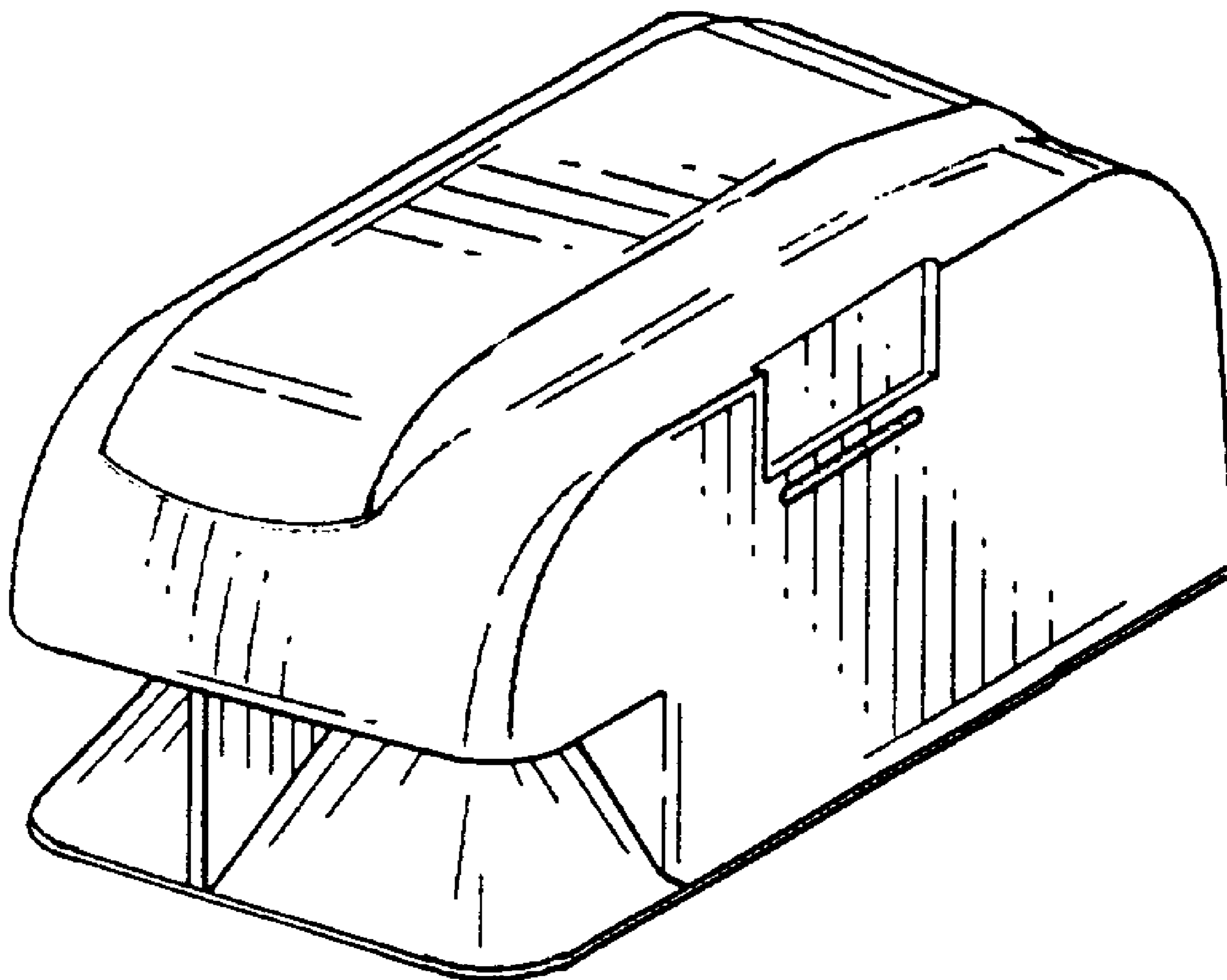
FIG. 1 is a perspective view of an automatic roach trap showing my new design;
FIG. 2 is a front elevational view thereof;
FIG. 3 is a rear elevational view thereof;
FIG. 4 is a top plan view thereof;
FIG. 5 is a bottom plan view thereof;
FIG. 6 is a right side elevational view thereof; and,
FIG. 7 is a left side elevational view thereof.

(56) **References Cited**

U.S. PATENT DOCUMENTS

D344,567 S * 2/1994 Teeples D22/122
5,560,146 A * 10/1996 Garro 43/74
5,771,628 A * 6/1998 Nobbs 43/121
5,802,761 A * 9/1998 Demarest et al. 43/131

1 Claim, 2 Drawing Sheets



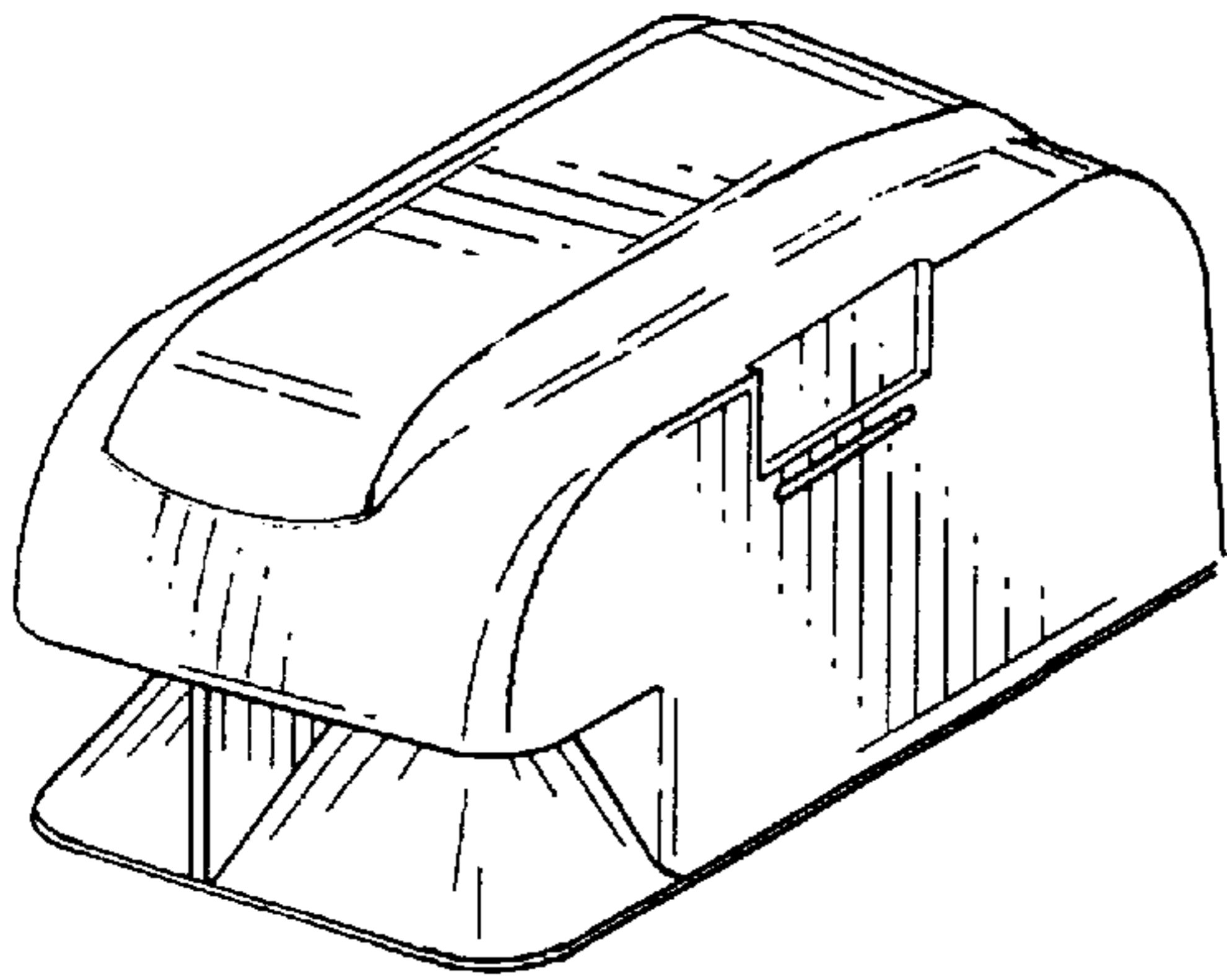


FIG. 1.

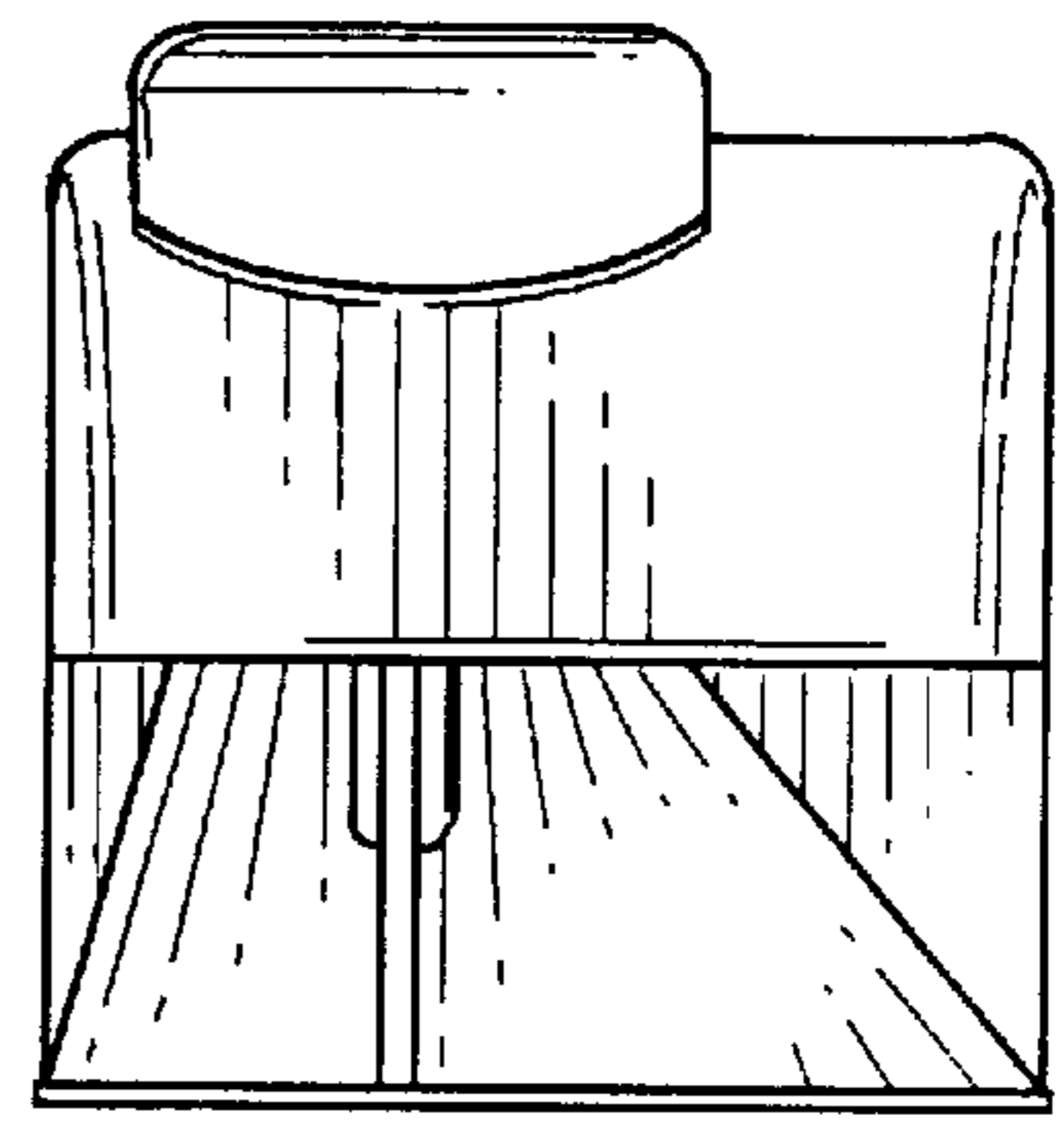


FIG. 2.

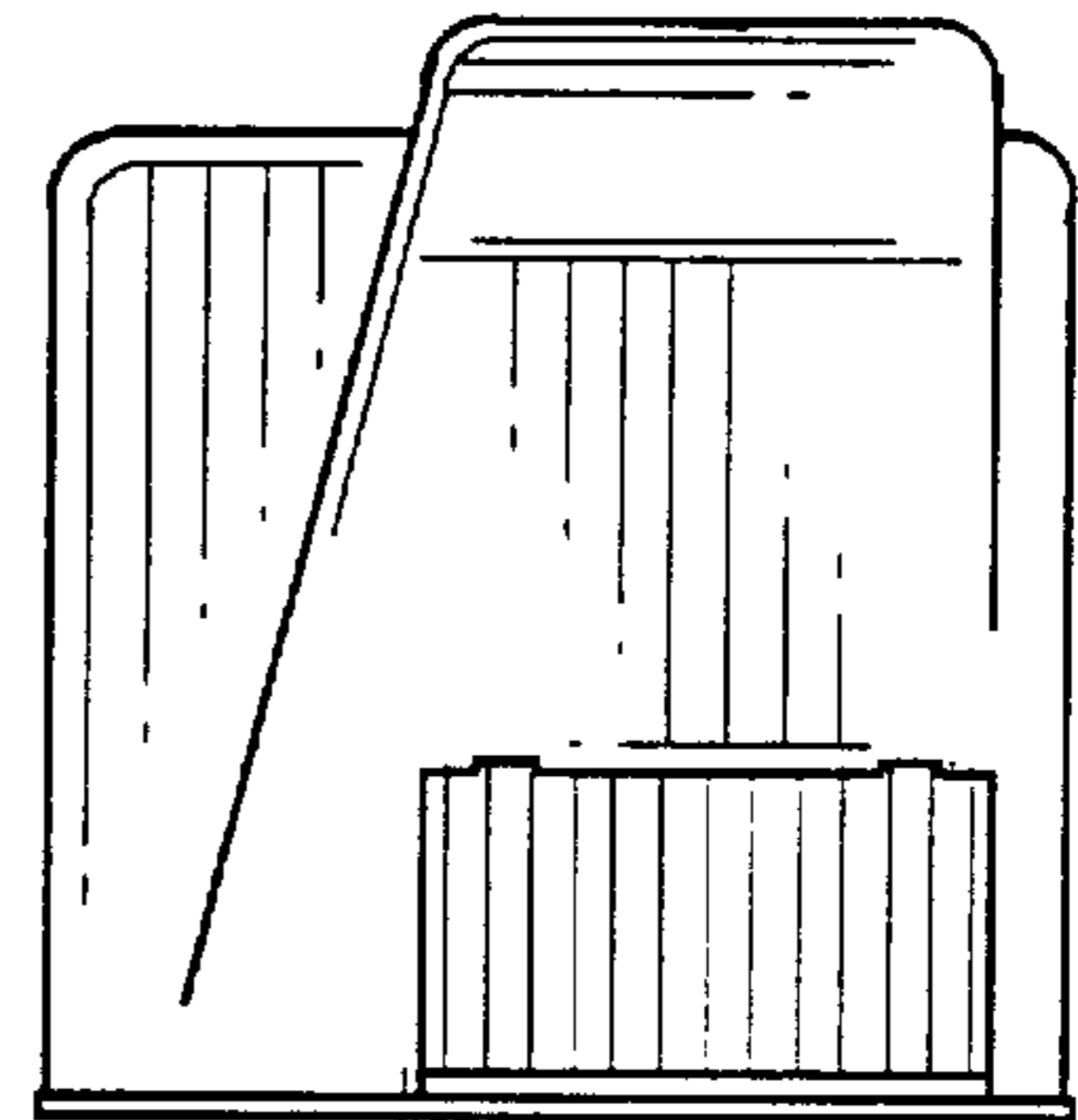


FIG. 3.

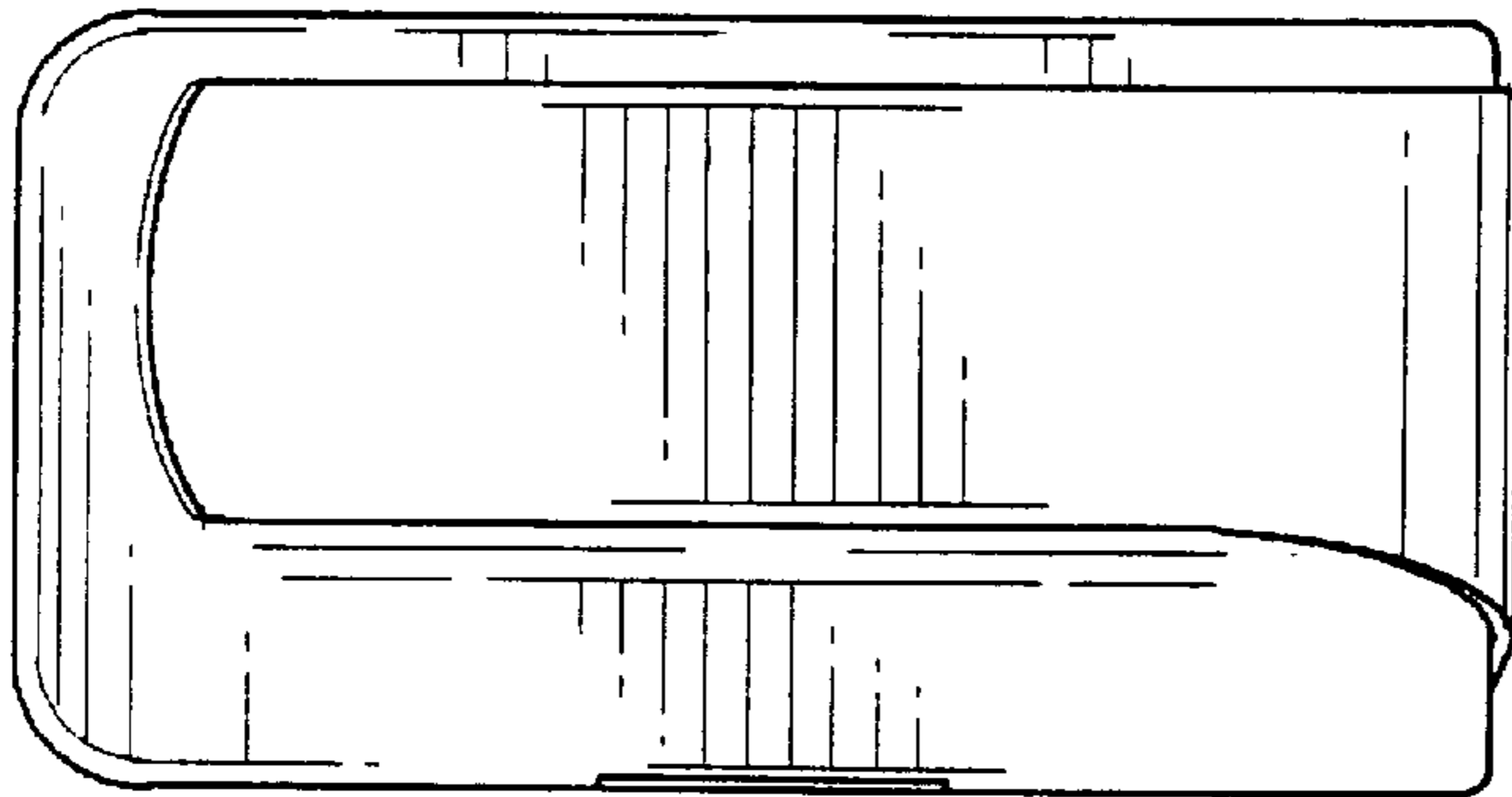


FIG. 4.

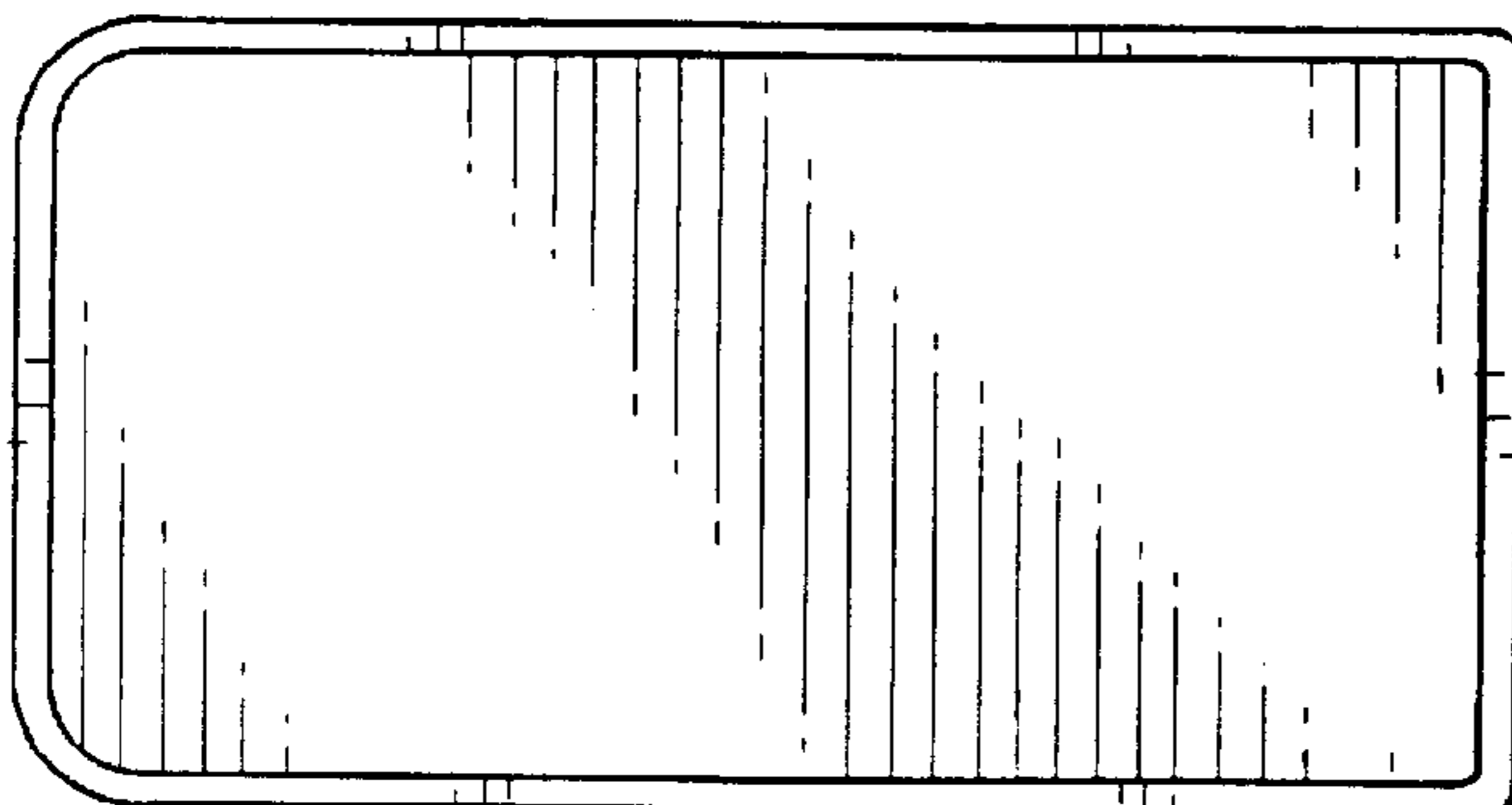


FIG. 5.

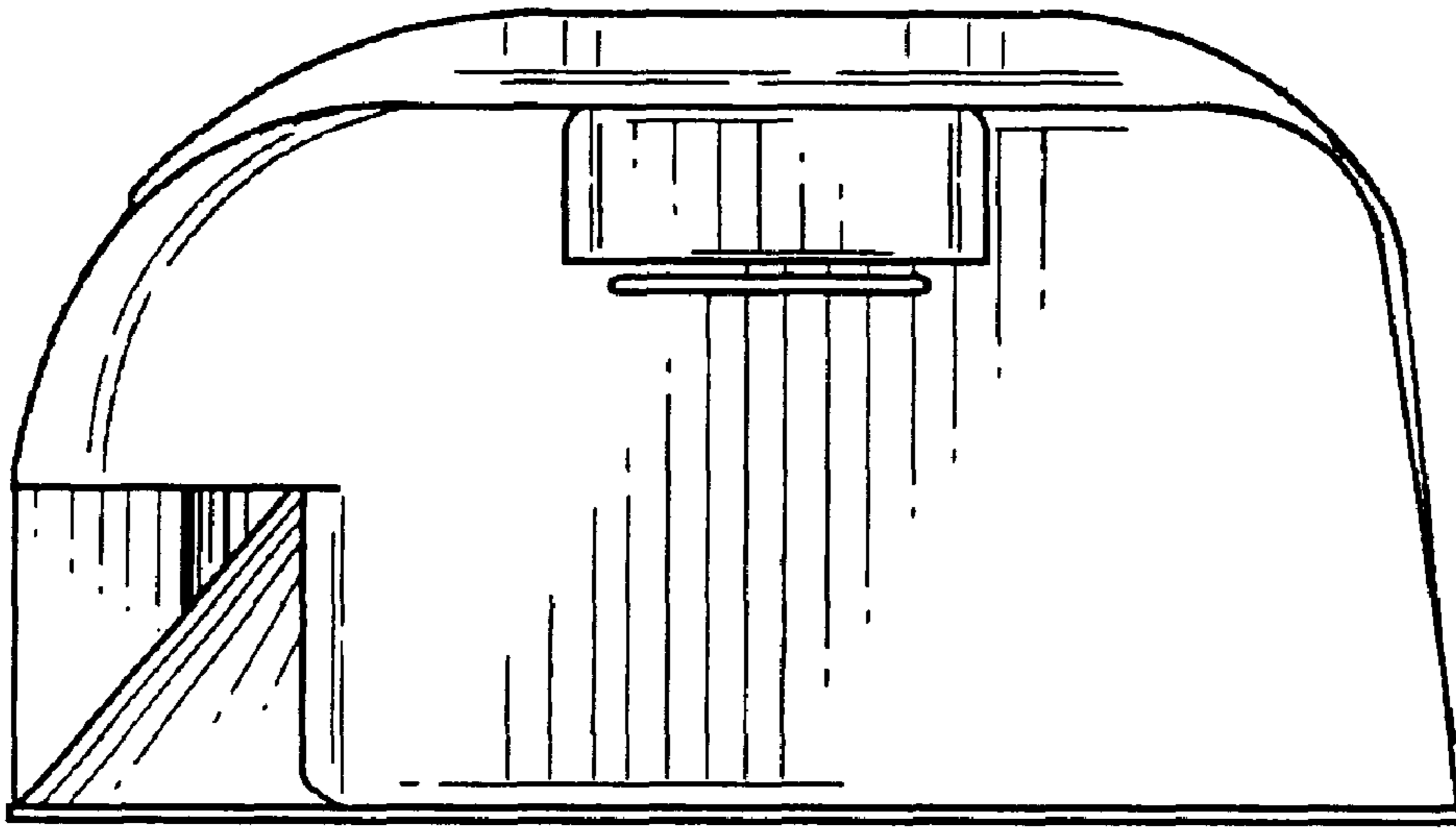


FIG. 6.

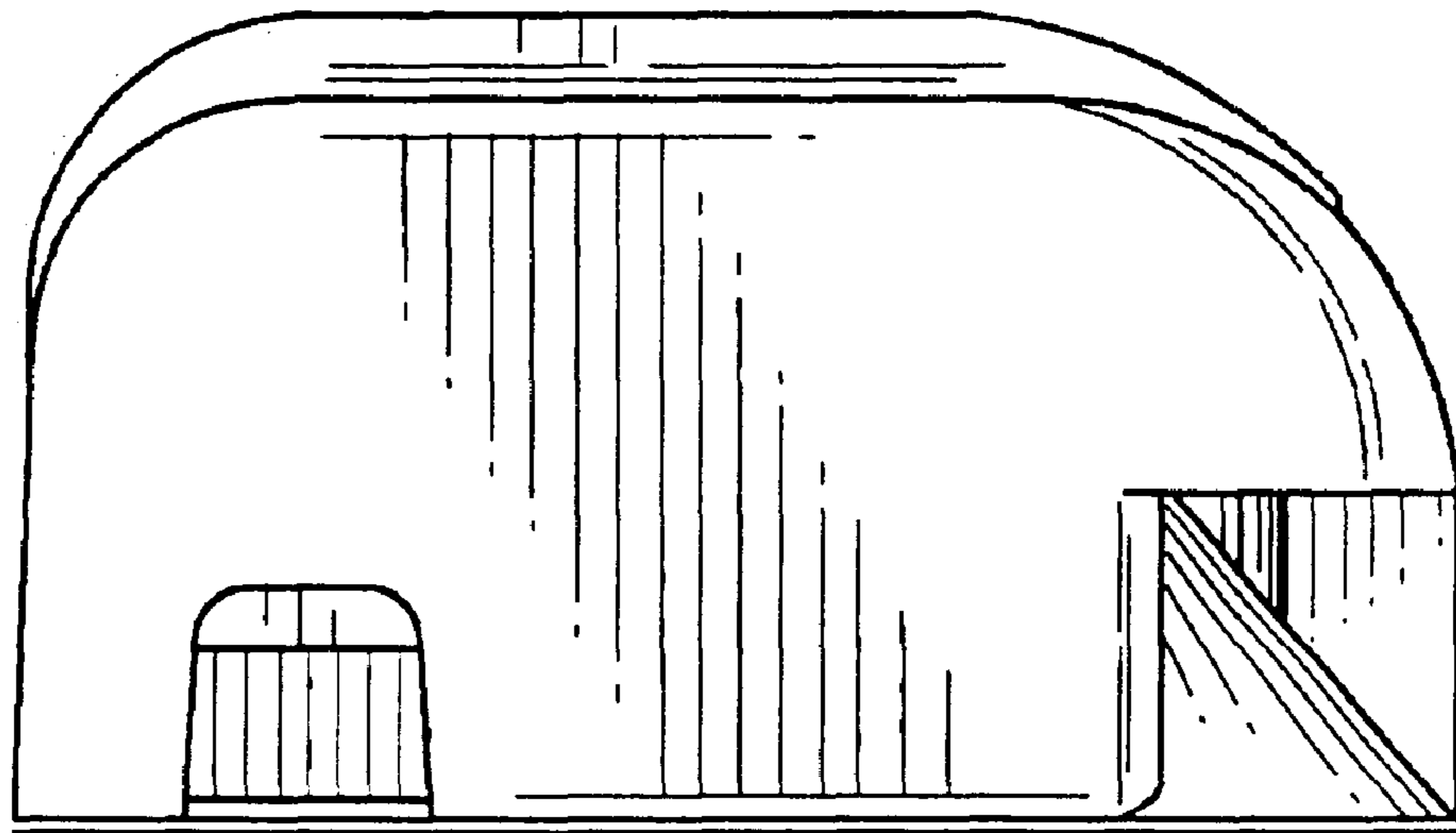


FIG. 7.