



US00D478958S

(12) **United States Design Patent**  
**Harris et al.**

(10) **Patent No.:** **US D478,958 S**

(45) **Date of Patent:** **\*\* Aug. 26, 2003**

(54) **ARTHROPOD TRAP HOUSING**

5,842,305 A 12/1998 Liao ..... 43/122  
D421,477 S \* 3/2000 Kalal ..... D22/122  
D449,091 S \* 10/2001 Child ..... D22/122

(76) Inventors: **David Harris**, CMD Products, 1410 Flightline Dr., Suite D, Lincoln, CA (US) 95648; **Roy Bridges**, CMD Products, 1410 Flightline Dr., Suite D, Lincoln, CA (US) 95648; **Agenor Mafra-Neto**, P.O. Box 5266, Riverside, CA (US) 92517

\* cited by examiner

*Primary Examiner*—Catherine R. Oliver  
(74) *Attorney, Agent, or Firm*—Daniel P. Maguire

(\*\*) Term: **14 Years**

(57) **CLAIM**

The ornamental design for arthropod trap housing, as shown and described.

(21) Appl. No.: **29/166,404**

**DESCRIPTION**

(22) Filed: **Aug. 27, 2002**

(51) **LOC (7) Cl.** ..... **22-06**

(52) **U.S. Cl.** ..... **D22/122**

(58) **Field of Search** ..... D22/119–125;  
43/107, 128, 131, 122, 132.1, 133; D30/124,  
125, 121, 110, 111

FIG. 1 is an elevated perspective view of a pest trap in accordance with the present invention.

FIG. 2 is a top view of a pest trap in accordance with the present invention.

FIG. 3 is a side view of a pest trap in accordance with the present invention.

FIG. 4 is a front view of a pest trap in accordance with the present invention.

FIG. 5 is a back view of a pest trap in accordance with the present invention; and,

FIG. 6 is a bottom view of a pest trap in accordance with the present invention.

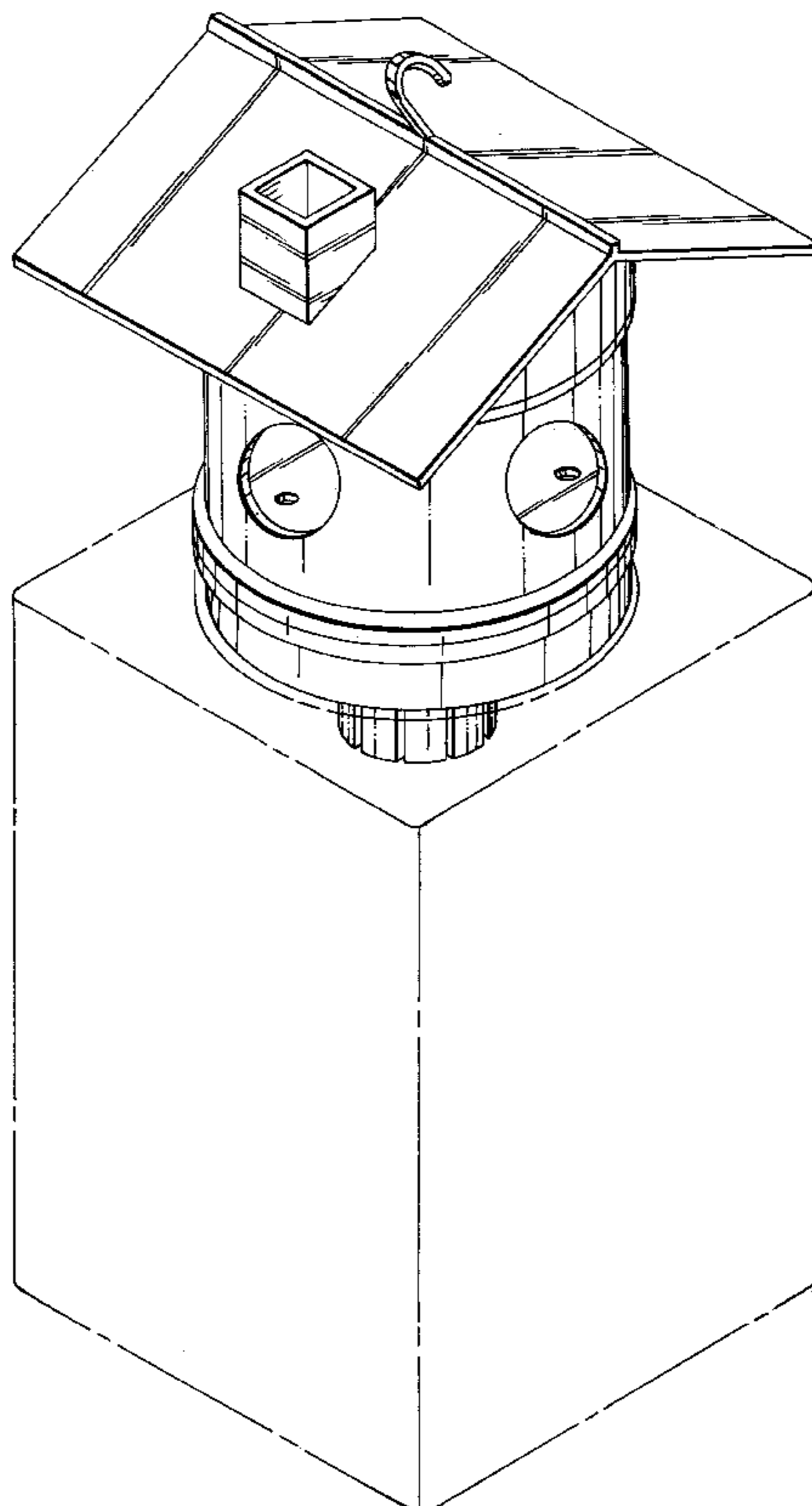
The broken line showing of environment in FIG. 1 is for illustrative purposes only and forms no part of the claimed design.

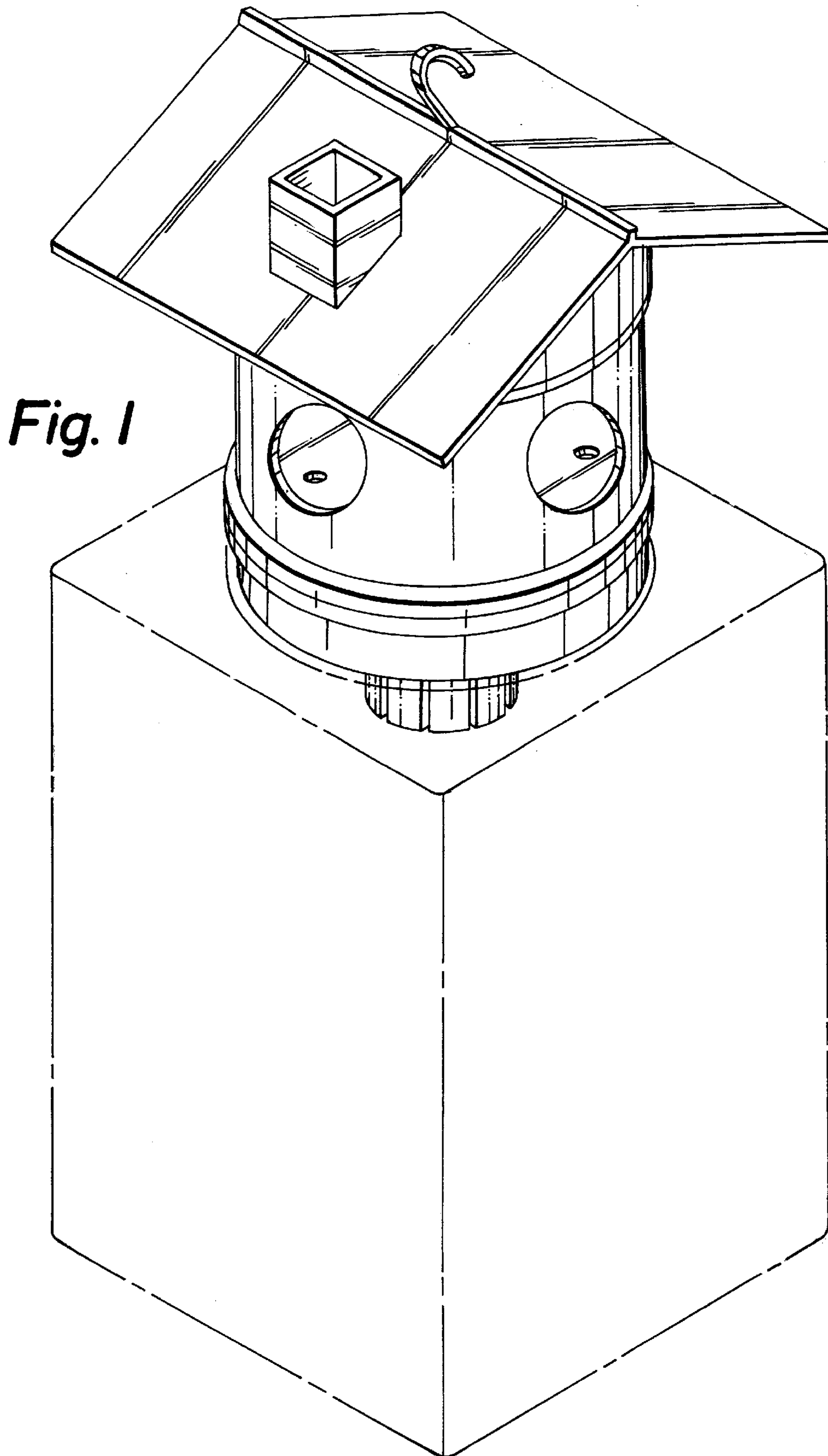
(56) **References Cited**

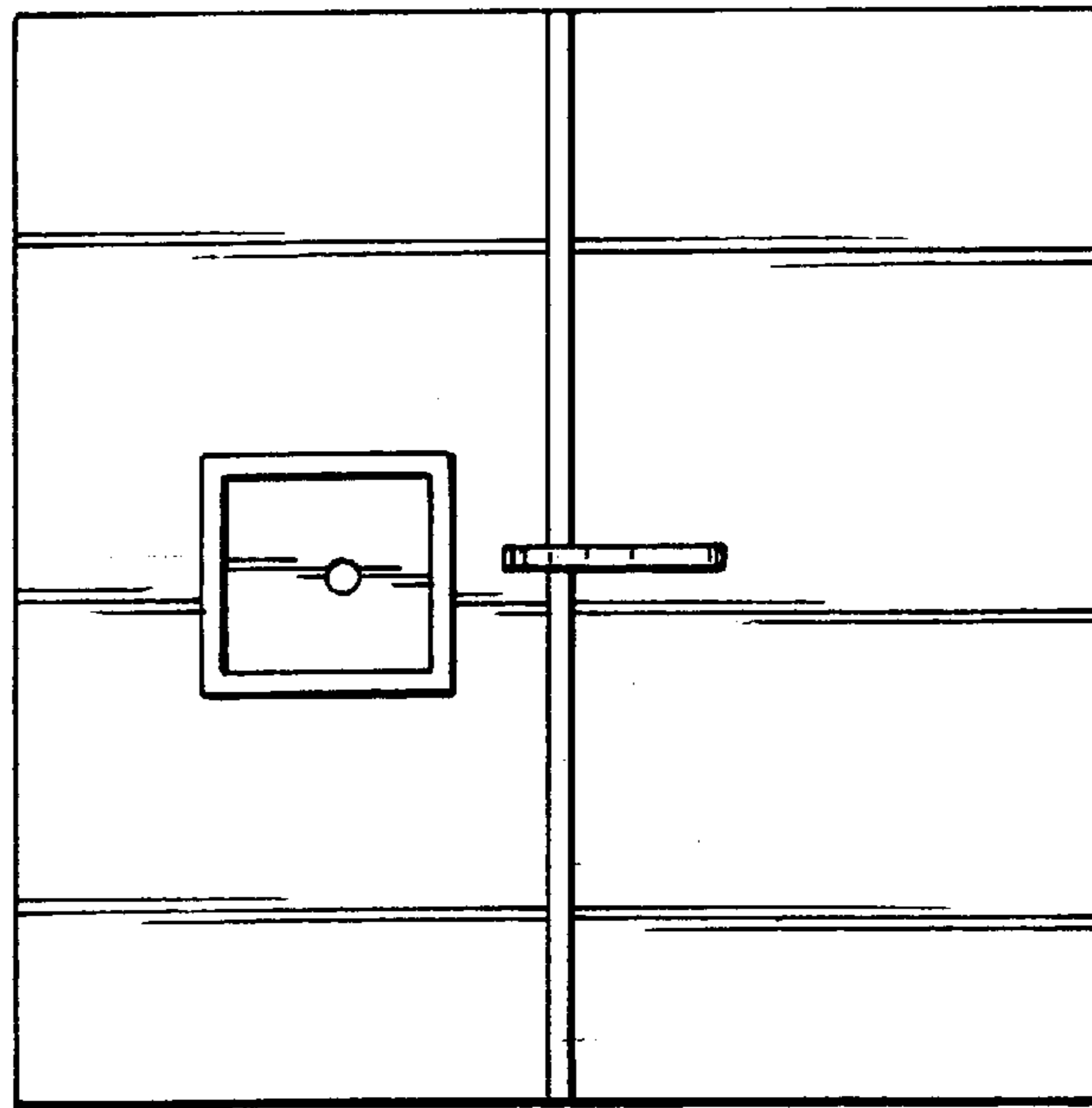
**U.S. PATENT DOCUMENTS**

2,478,104 A 8/1949 Johnson ..... 43/122  
D189,782 S \* 2/1961 Richardson ..... D22/122  
4,551,941 A 11/1985 Schneidmiller ..... 43/107  
4,592,163 A 6/1986 Wilson ..... 43/122  
4,718,193 A 1/1988 Roselli ..... 43/122  
4,788,789 A \* 12/1988 Boobar et al. .... 43/113  
5,452,540 A 9/1995 Dowd et al. .... 43/107  
D370,313 S \* 5/1996 Nottingham et al. .... D30/125

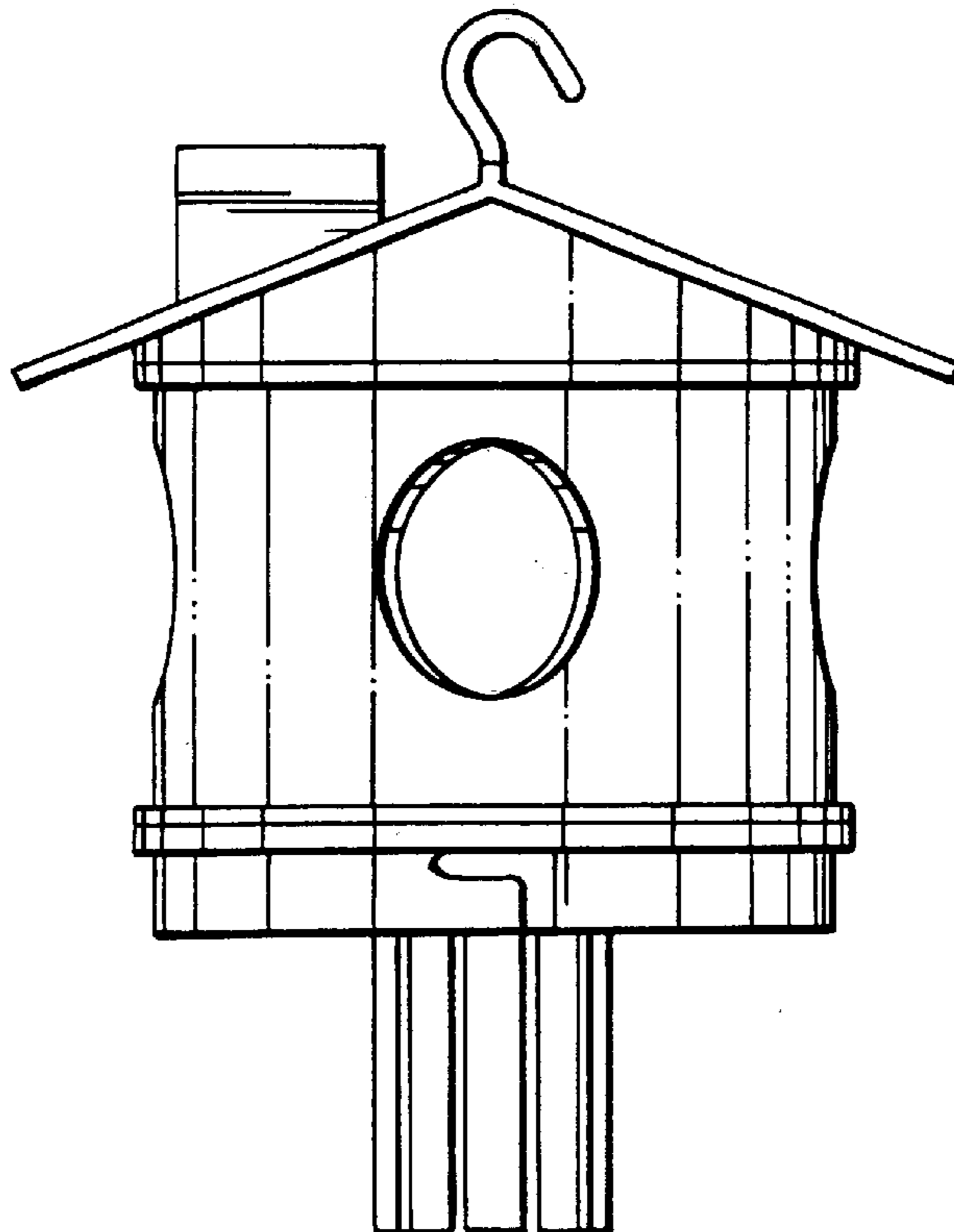
**1 Claim, 3 Drawing Sheets**





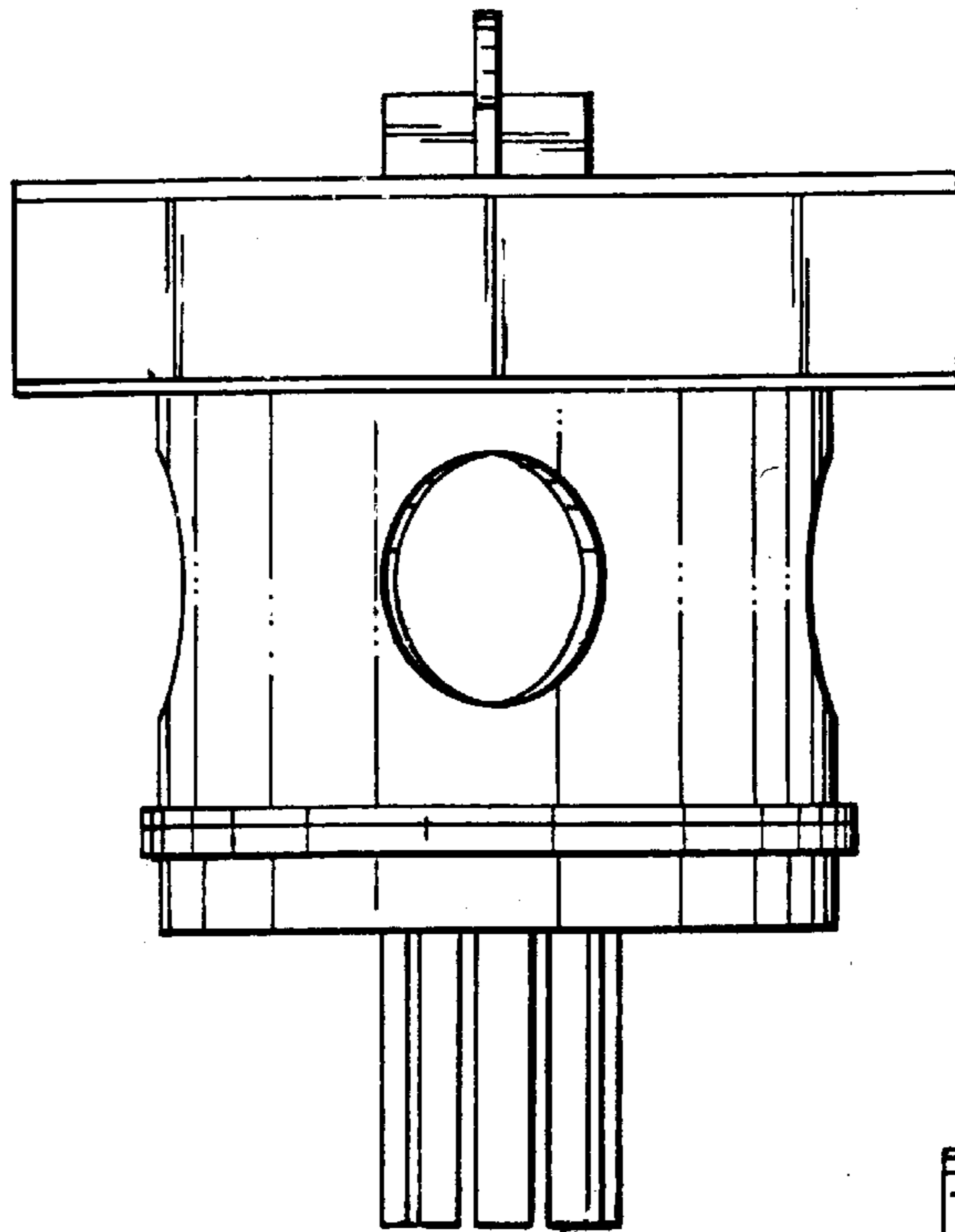


*Fig. 2*

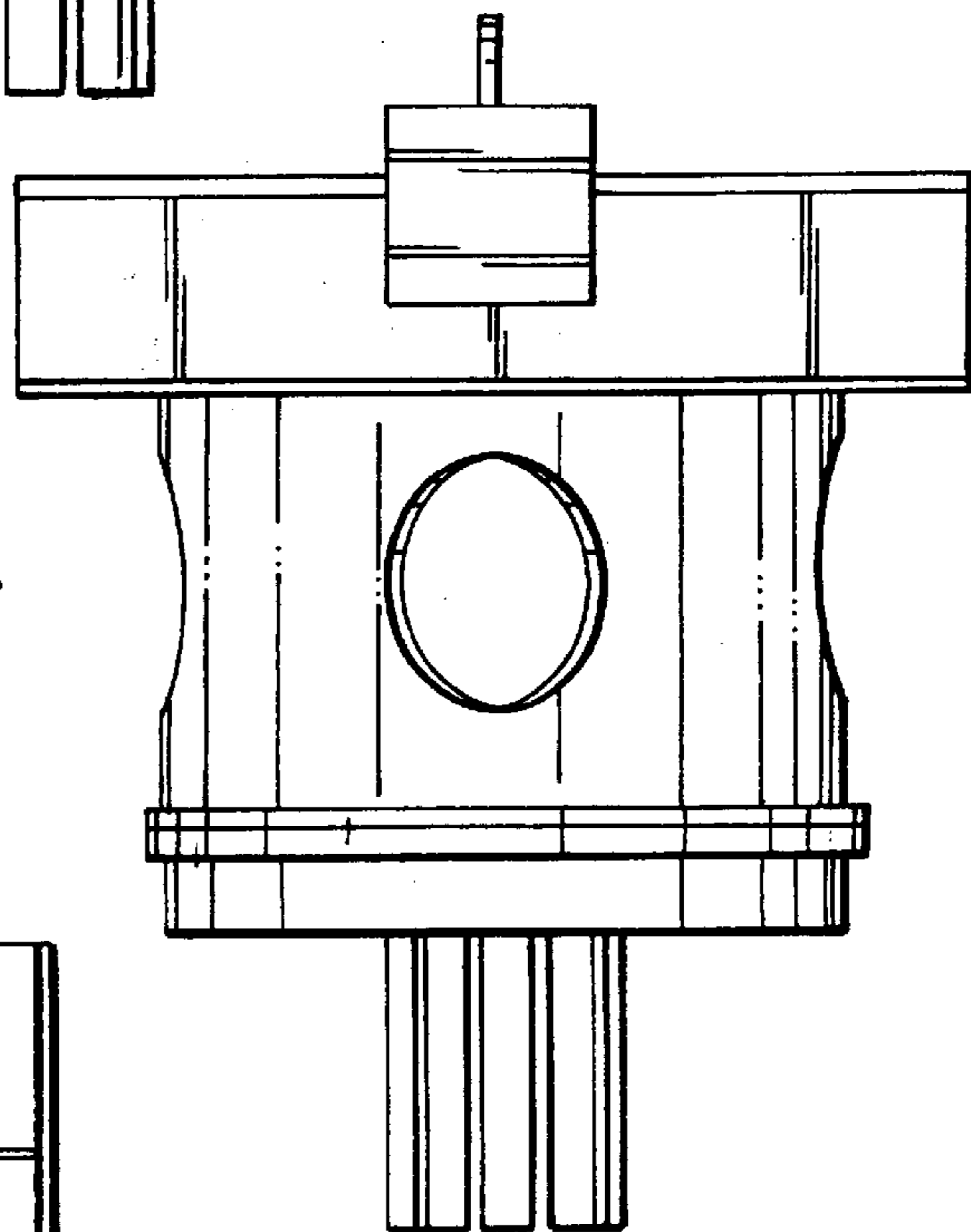


*Fig. 3*

*Fig. 4*



*Fig. 5*



*Fig. 6*

