



US00D478955S

(12) **United States Design Patent**  
**Chen**

(10) **Patent No.:** **US D478,955 S**

(45) **Date of Patent:** **\*\* Aug. 26, 2003**

(54) **AIR INFLATION TRAMPOLINE**

(75) Inventor: **Jimmy Ching Chen**, Arcadia, CA (US)

(73) Assignee: **Sportspower Limited**, Kowloon (HK)

(\*\*) Term: **14 Years**

(21) Appl. No.: **29/170,480**

(22) Filed: **Nov. 7, 2002**

(51) **LOC (7) Cl.** ..... **21-02**

(52) **U.S. Cl.** ..... **D21/797; D21/814**

(58) **Field of Search** ..... **D21/797, 814;**  
**482/27, 23; 446/220, 221, 222, 223; 472/134,**  
**135**

(56) **References Cited**

**U.S. PATENT DOCUMENTS**

5,462,505	A	*	10/1995	Blair et al.	.....	482/27
5,678,357	A	*	10/1997	Rubio et al.	.....	52/2.17
D389,217	S	*	1/1998	Rubio et al.	.....	D21/814
5,813,946	A	*	9/1998	Lin et al.	.....	482/27
D422,667	S	*	4/2000	Lau	.....	D21/814

D423,624	S	*	4/2000	Motosko	.....	D21/814
D433,725	S	*	11/2000	Chen	.....	D21/797
D462,103	S	*	8/2002	Chen	.....	D21/797

\* cited by examiner

*Primary Examiner*—Philip S. Hyder

(74) *Attorney, Agent, or Firm*—Birch, Stewart, Kolasch & Birch, LLP

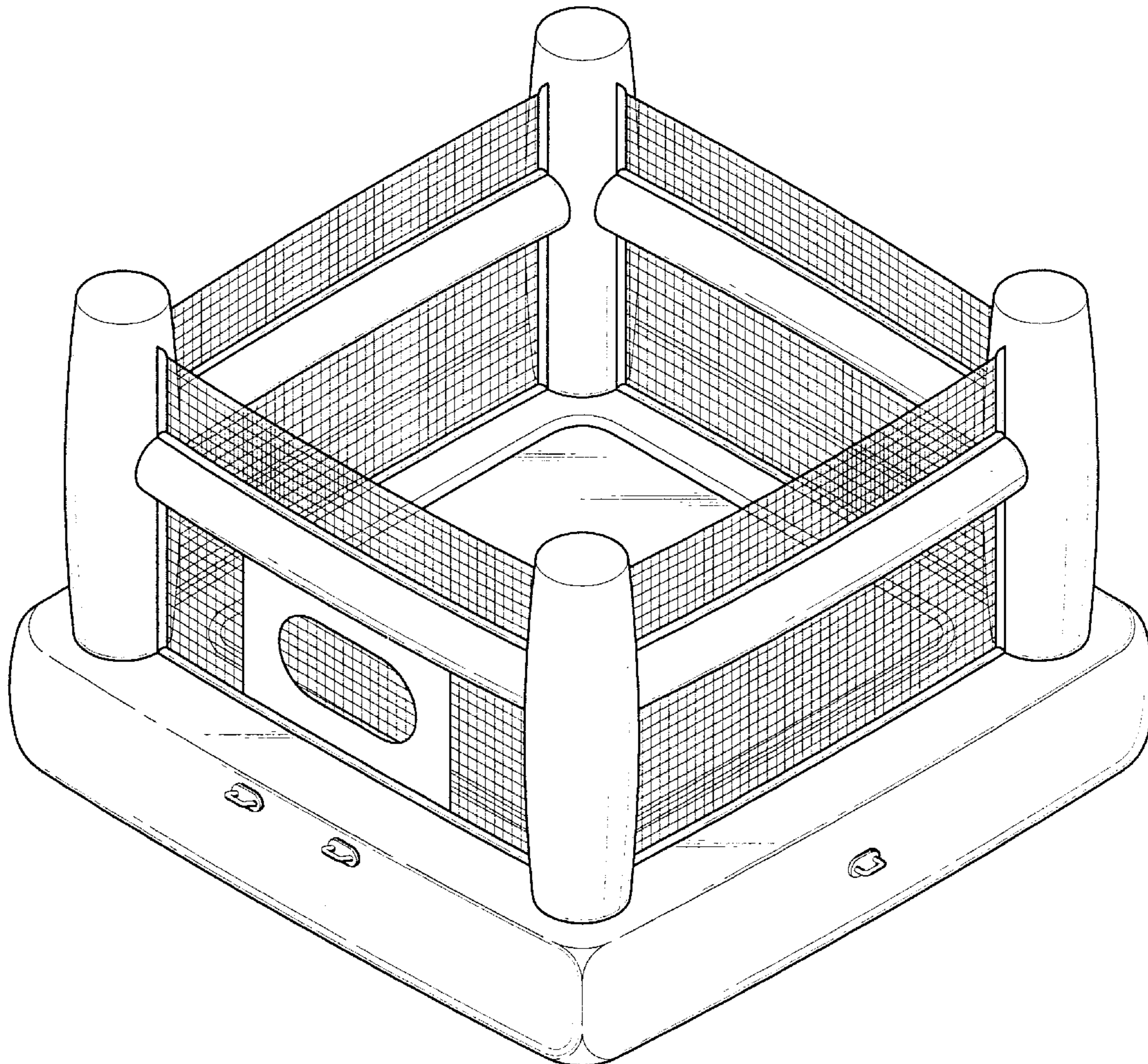
(57) **CLAIM**

The ornamental design for an air inflation trampoline, as shown and described.

**DESCRIPTION**

FIG. 1 is a perspective view of an air inflation trampoline showing our new design thereof;  
FIG. 2 is a right side elevational view thereof and the left side elevational view being a mirror image thereof,  
FIG. 3 is a top plan view thereof;  
FIG. 4 is a front side elevational view;  
FIG. 5 is a bottom plan view thereof; and,  
FIG. 6 is a rear side elevational view.

**1 Claim, 6 Drawing Sheets**



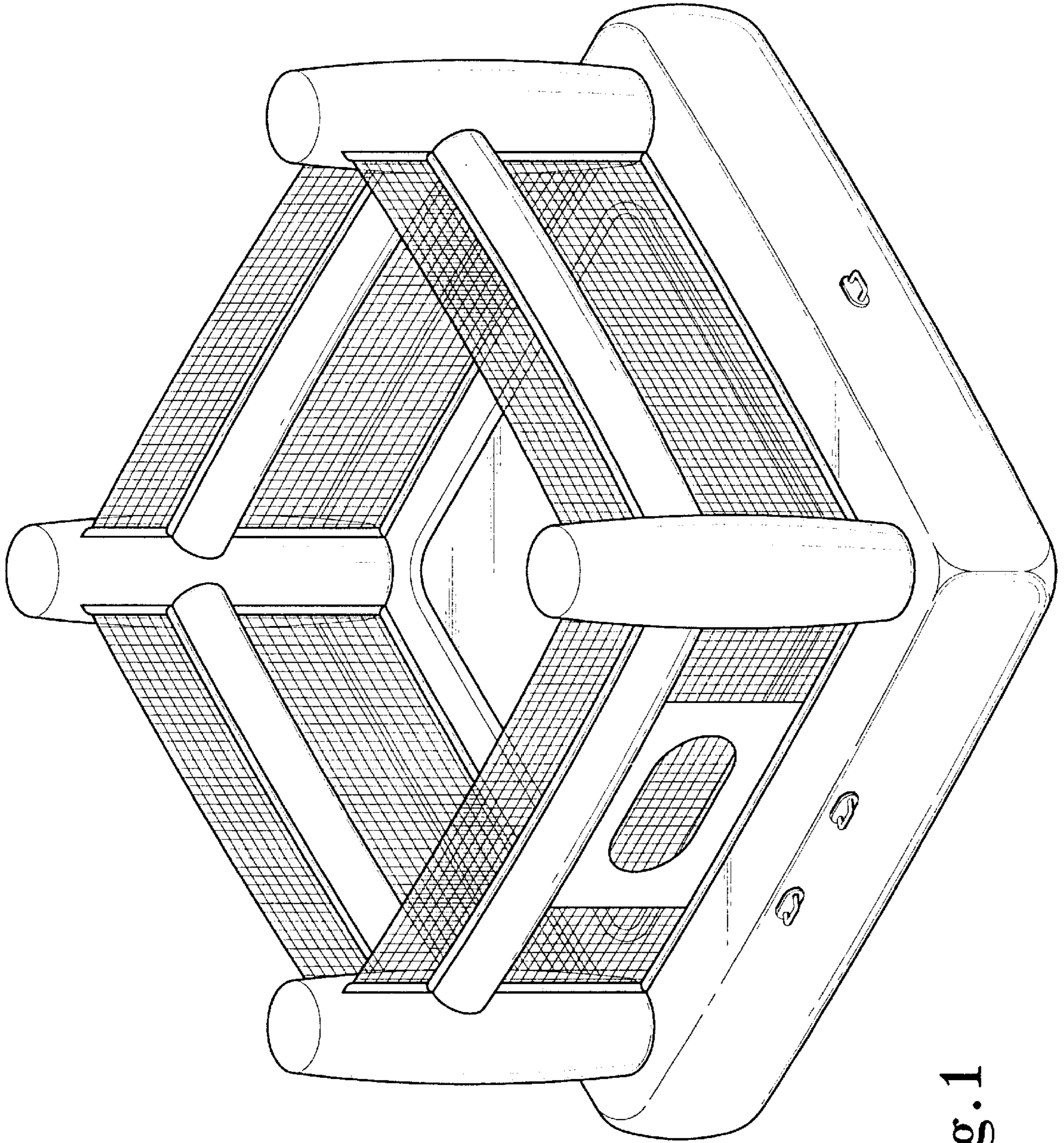


Fig. 1

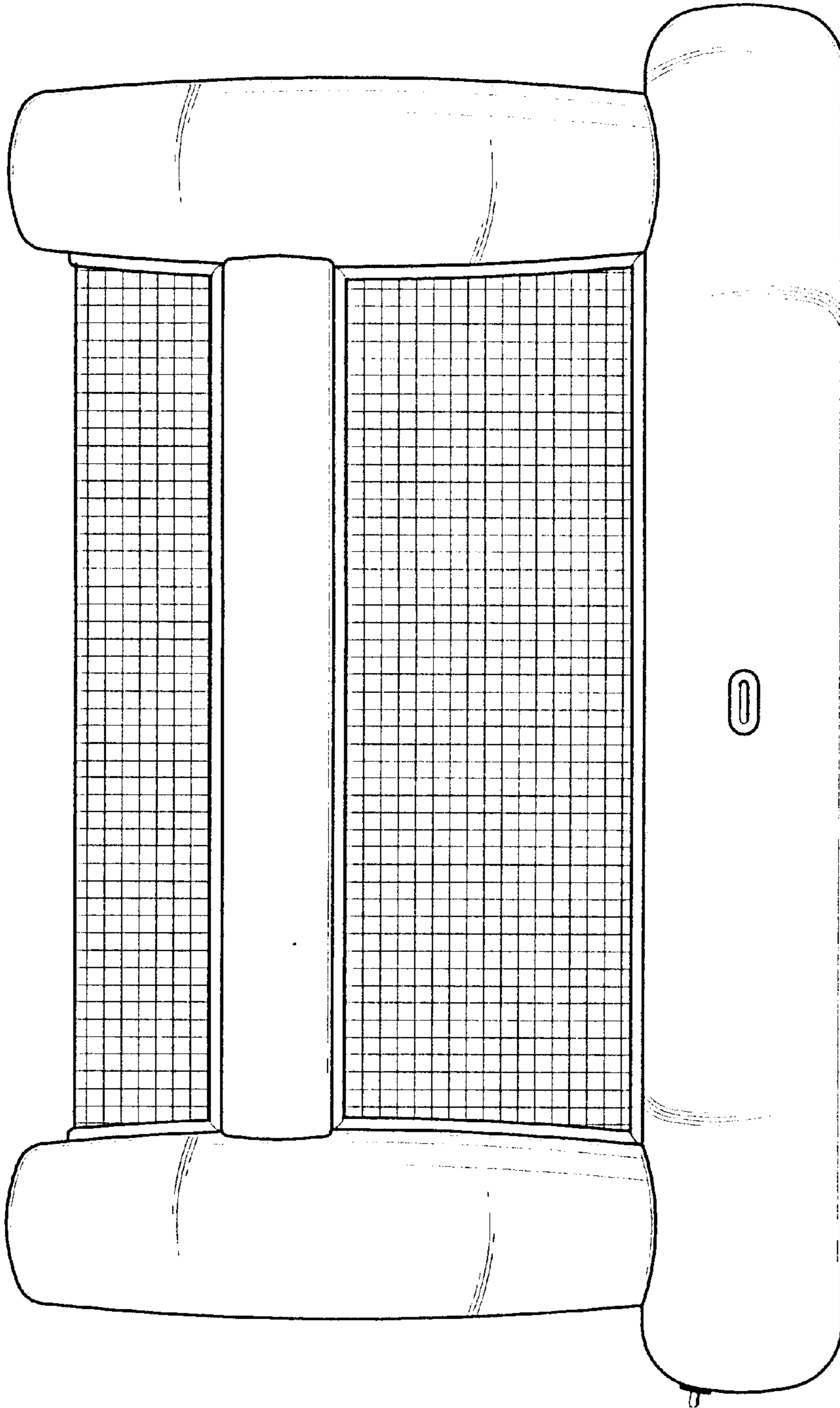


Fig. 2

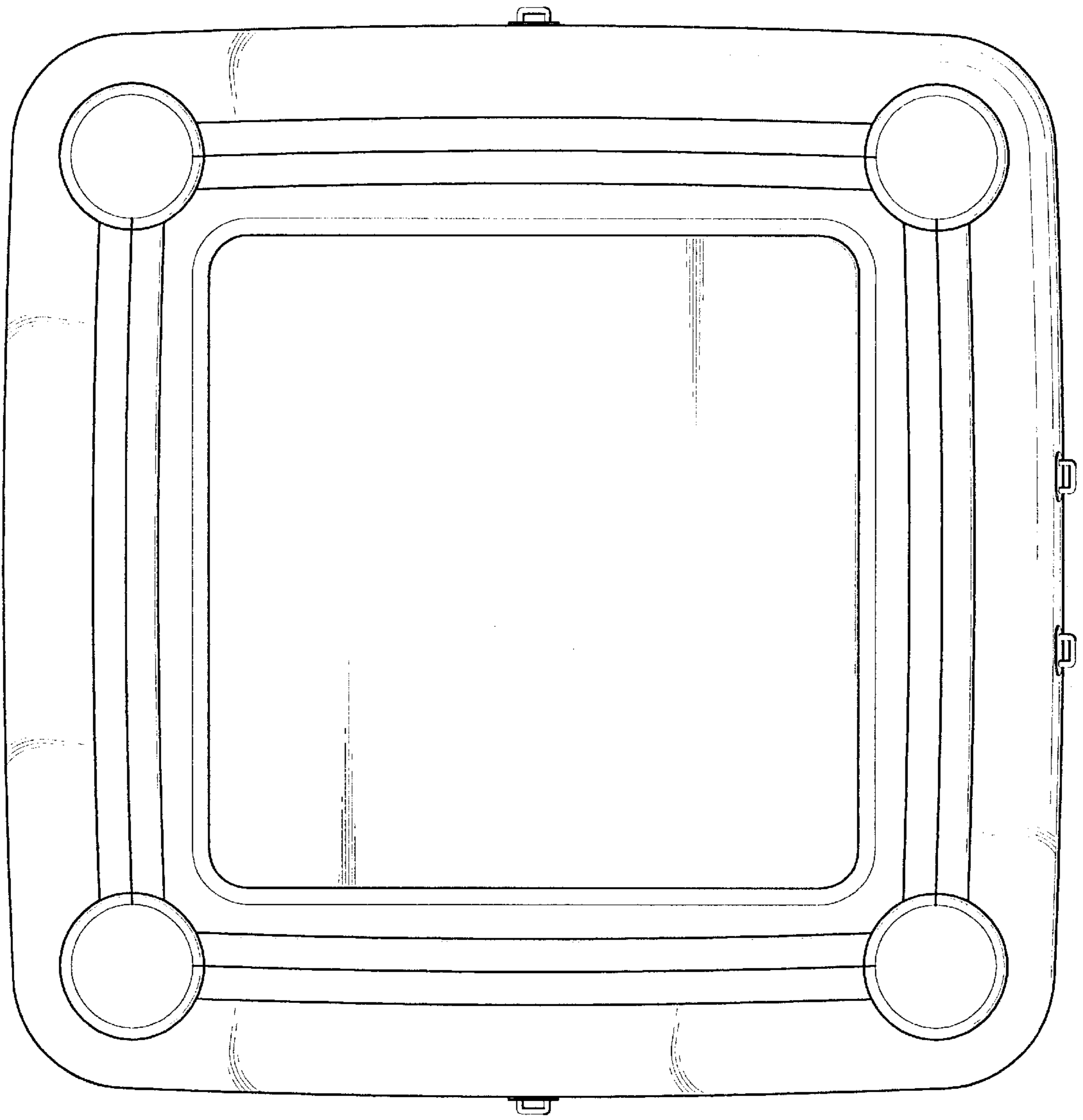


Fig. 3

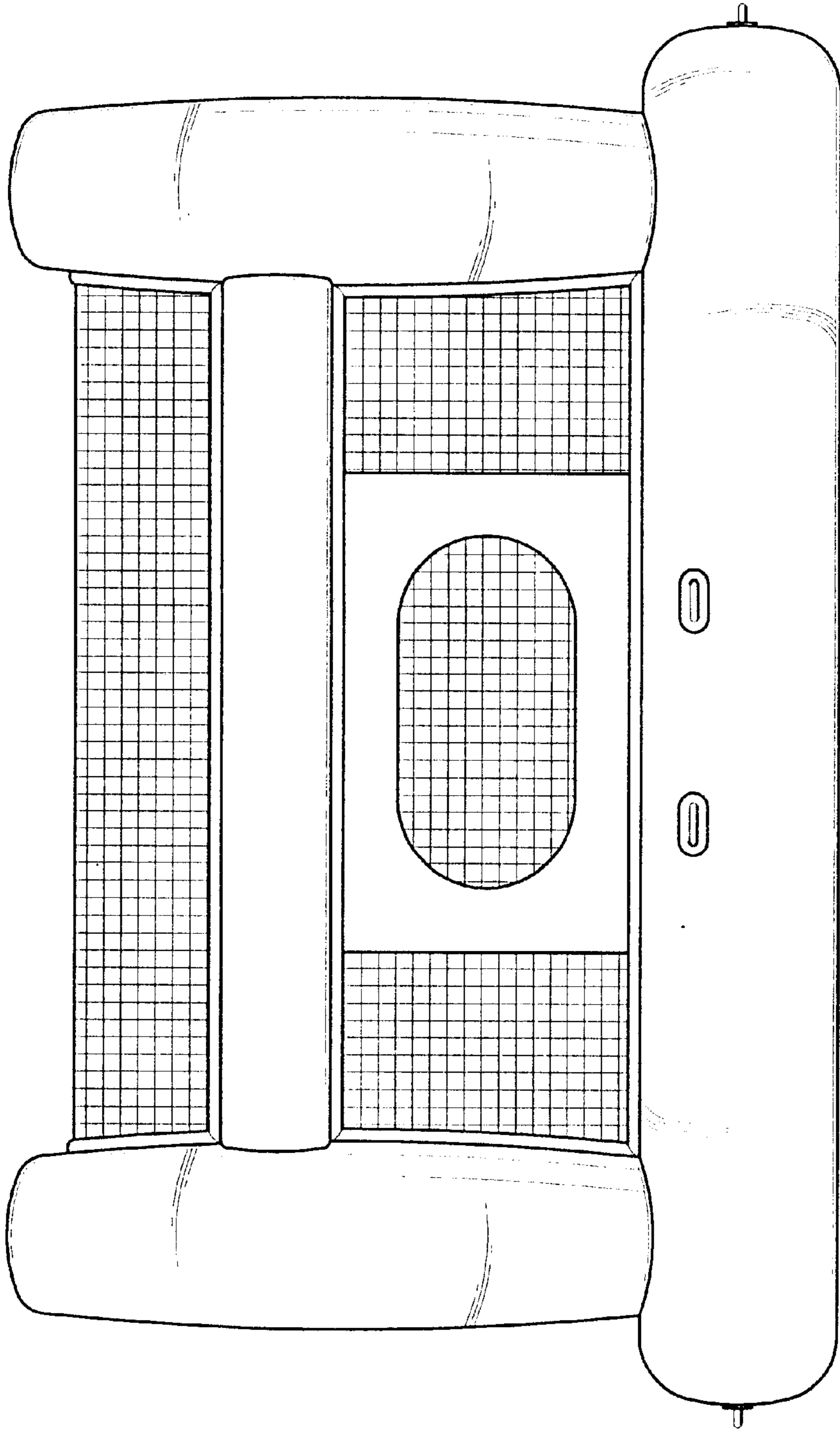


Fig. 4

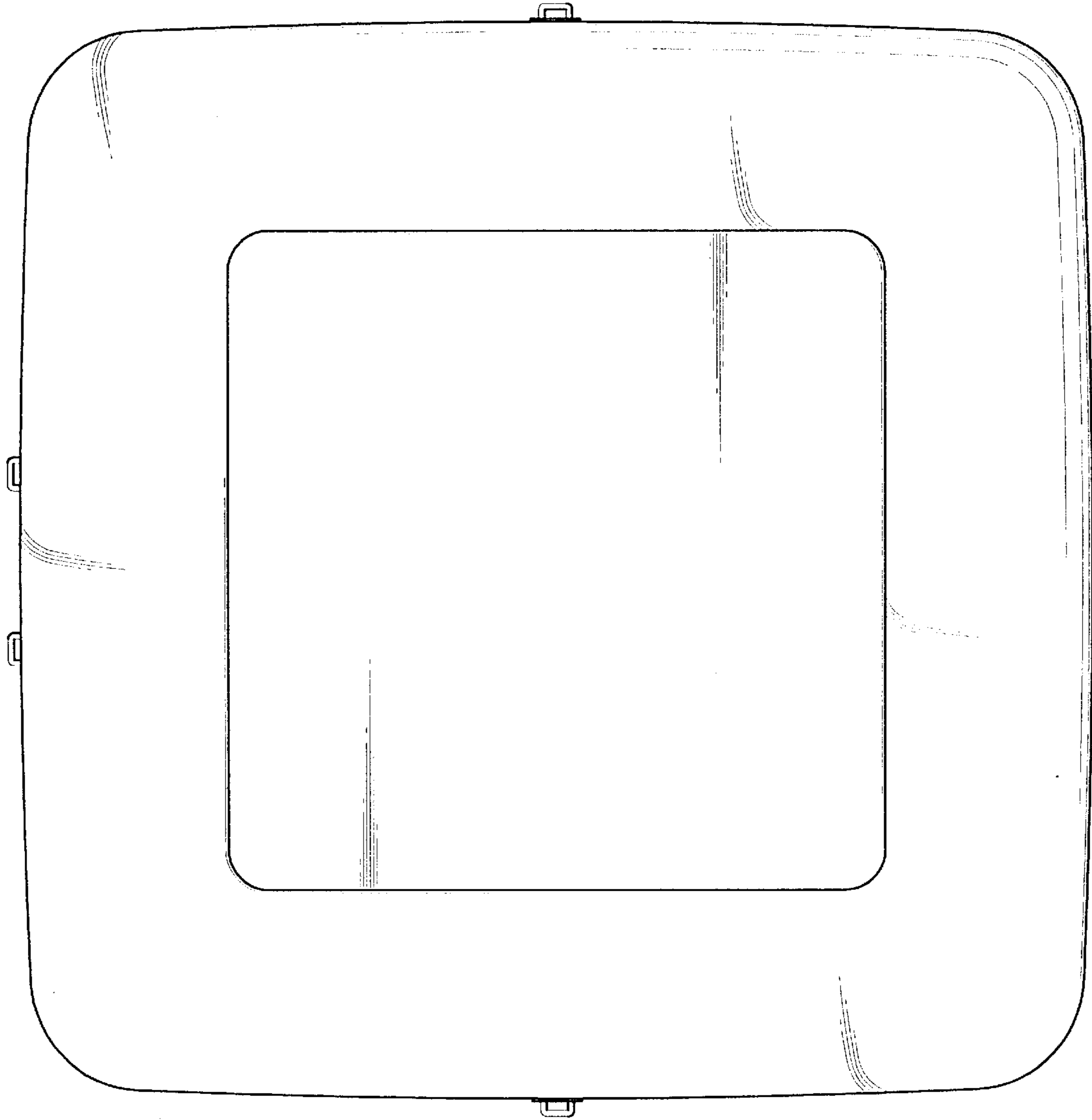


Fig. 5

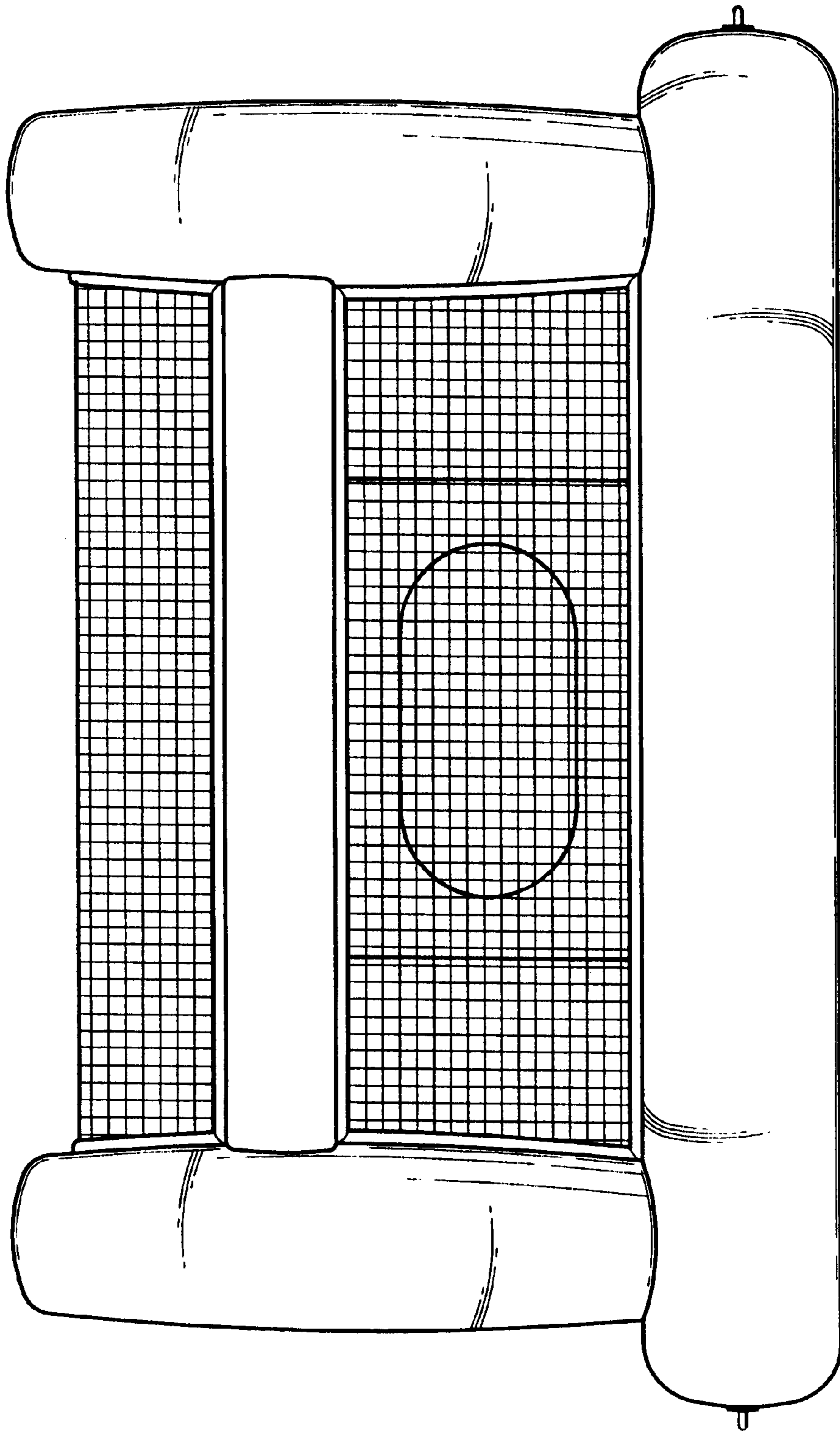


Fig. 6