



US00D478952S

(12) **United States Design Patent**
Greene

(10) **Patent No.:** **US D478,952 S**

(45) **Date of Patent:** **** Aug. 26, 2003**

(54) **RIBBED CAVITY BACK IN A GOLF CLUB HEAD**

(75) **Inventor:** **Thomas M. Greene**, Monson, MA (US)

(73) **Assignee:** **Spalding Sports Worldwide, Inc.**, Chicopee, MA (US)

(**) **Term:** **14 Years**

(21) **Appl. No.:** **29/165,362**

(22) **Filed:** **Aug. 8, 2002**

(51) **LOC (7) Cl.** **21-02**

(52) **U.S. Cl.** **D21/759**

(58) **Field of Search** D21/747-751,
D21/753, 759; 473/324-327, 350

(56) **References Cited**

U.S. PATENT DOCUMENTS

5,074,563 A * 12/1991 Gorman 473/350

D336,672 S * 6/1993 Gorman D21/749
5,676,605 A 10/1997 Kobayashi
D398,687 S * 9/1998 Miyajima et al. D21/747
5,908,357 A 6/1999 Hsieh
6,193,615 B1 2/2001 Hirota
6,203,449 B1 3/2001 Kenmi
6,299,548 B1 10/2001 Lin

* cited by examiner

Primary Examiner—Mitchell Siegel

(57) **CLAIM**

The ornamental design for a ribbed cavity back in a golf club head, as shown.

DESCRIPTION

FIG. 1 is a elevation view of the invention illustrating my design; and,

FIG. 2 is a right side sectional view thereof.

1 Claim, 1 Drawing Sheet

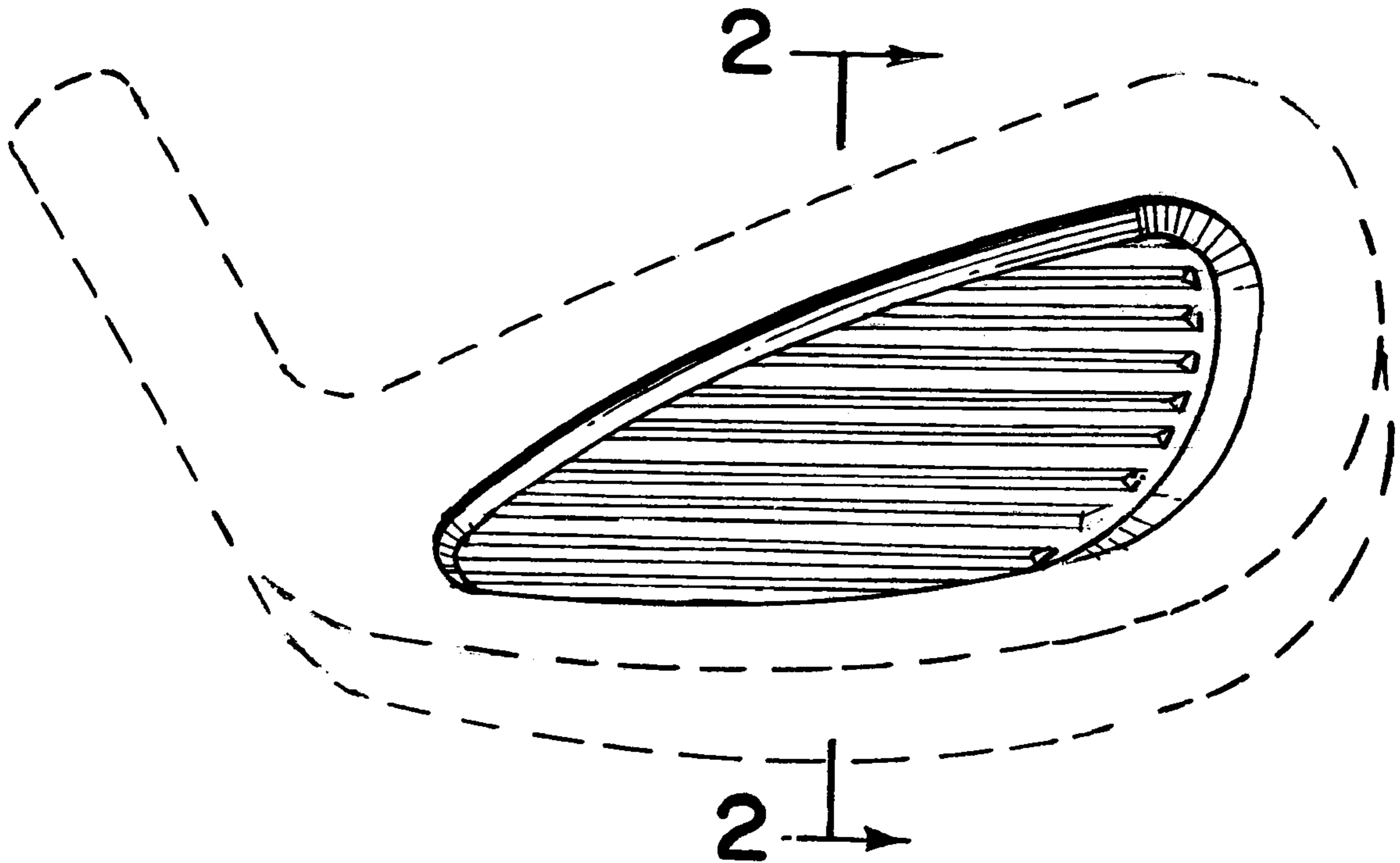


FIG. 1

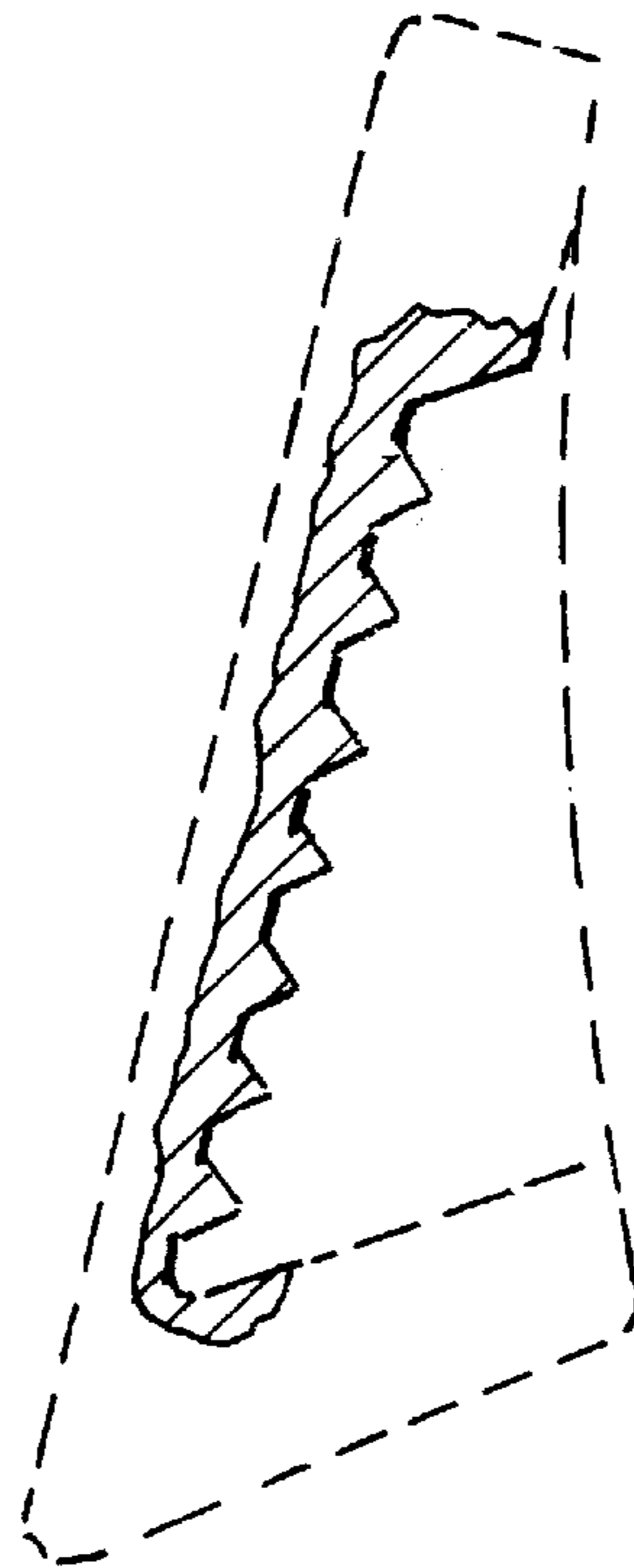
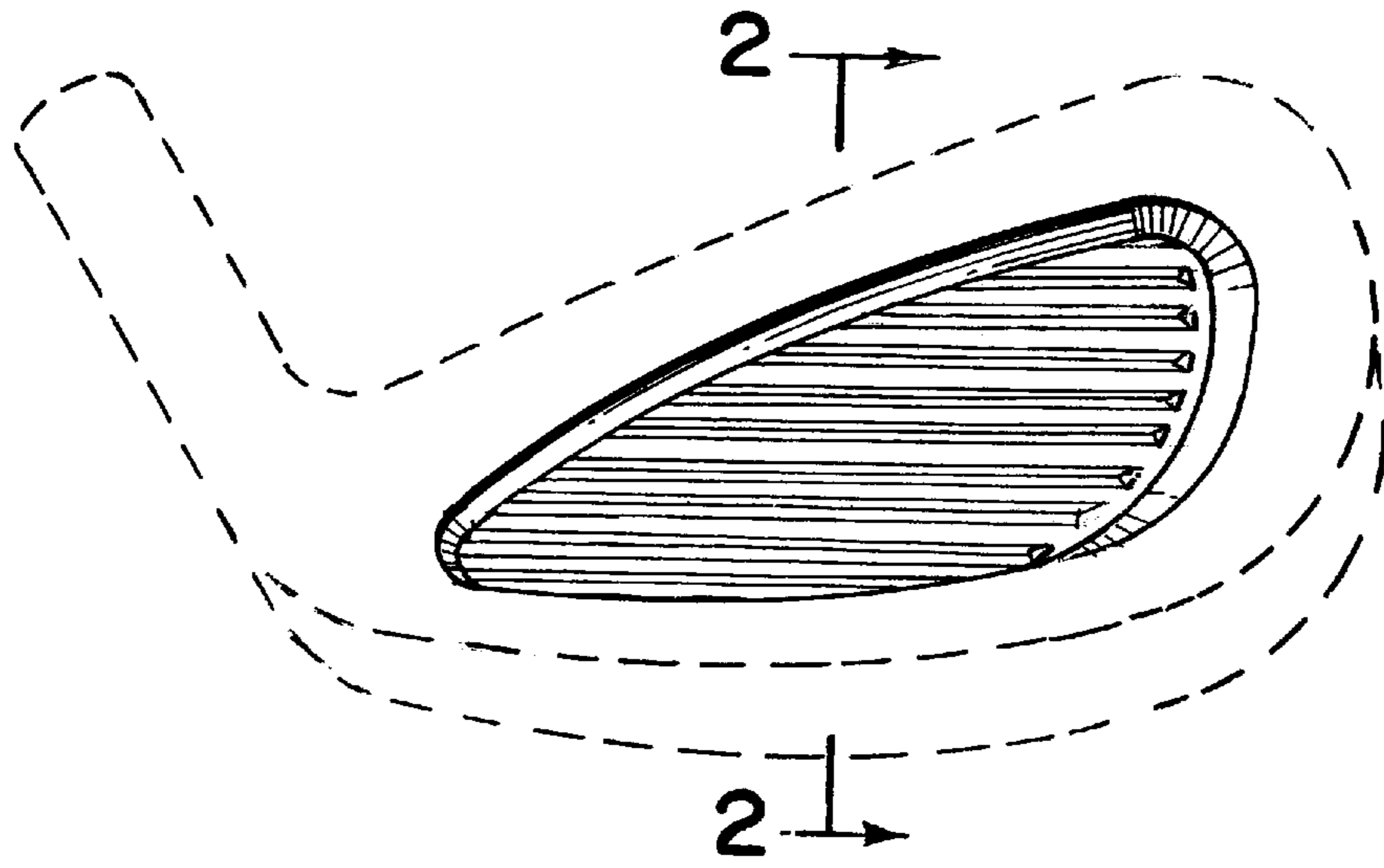


FIG. 2