



US00D478943S

(12) **United States Design Patent**
Kuelbs

(10) **Patent No.:** **US D478,943 S**

(45) **Date of Patent:** **** Aug. 26, 2003**

(54) **INTERCHANGEABLE HITCH HANDLES**

(75) **Inventor:** **Gregory G. Kuelbs, Westlake, TX (US)**

(73) **Assignee:** **World Factory, Inc., Southlake, TX (US)**

(**) **Term:** **14 Years**

(21) **Appl. No.:** **29/159,199**

(22) **Filed:** **Apr. 16, 2002**

(51) **LOC (7) Cl. 21-01**

(52) **U.S. Cl. D21/425**

(58) **Field of Search** D21/419, 424-427,
D21/534, 536; D8/10; 446/440, 451, 465;
280/87.01, 87.021, 87.041, 87.051, 87.043,
773, 776, 47.36, 47.38, 47.371, 47.35, 47.25,
47.26, 47.27, 47.17, 47.34, 87.05, 204,
43.1, 656, 789, 33.991, 47.19

(56) **References Cited**

U.S. PATENT DOCUMENTS

D91,540 S	*	2/1934	Pasin	D21/425
4,969,656 A	*	11/1990	Clausen	280/47.38
5,330,217 A	*	7/1994	McCarthy	280/204
D360,342 S	*	7/1995	Shea	D8/10
5,833,251 A	*	11/1998	Peck	280/87.01
6,131,917 A	*	10/2000	Walsh	280/43.1
6,164,683 A	*	12/2000	Kalman	280/656
6,199,909 B1	*	3/2001	Kass et al.	280/789
6,435,803 B1	*	8/2002	Robinson	280/33.991
6,478,203 B2	*	11/2002	Burns	280/47.19
D466,953 S	*	12/2002	Ortiz	D21/425

* cited by examiner

Primary Examiner—Raphael Barkai

(74) *Attorney, Agent, or Firm*—James E. Walton; Hill & Hunn LLP

(57) **CLAIM**

The ornamental design for interchangeable hitch handles, as shown and described.

DESCRIPTION

FIG. 1 is a perspective view of the interchangeable hitch handles according to the present invention.

FIG. 2 is a front view of the interchangeable hitch handles according to the present invention.

FIG. 3 is a left side view of the interchangeable hitch handles according to the present invention.

FIG. 4 is a rear view of the interchangeable hitch handles according to the present invention.

FIG. 5 is a right side view of the interchangeable hitch handles according to the present invention.

FIG. 6 is a bottom view of the interchangeable hitch handles according to the present invention.

FIG. 7 is a top view of the interchangeable hitch handles according to the present invention.

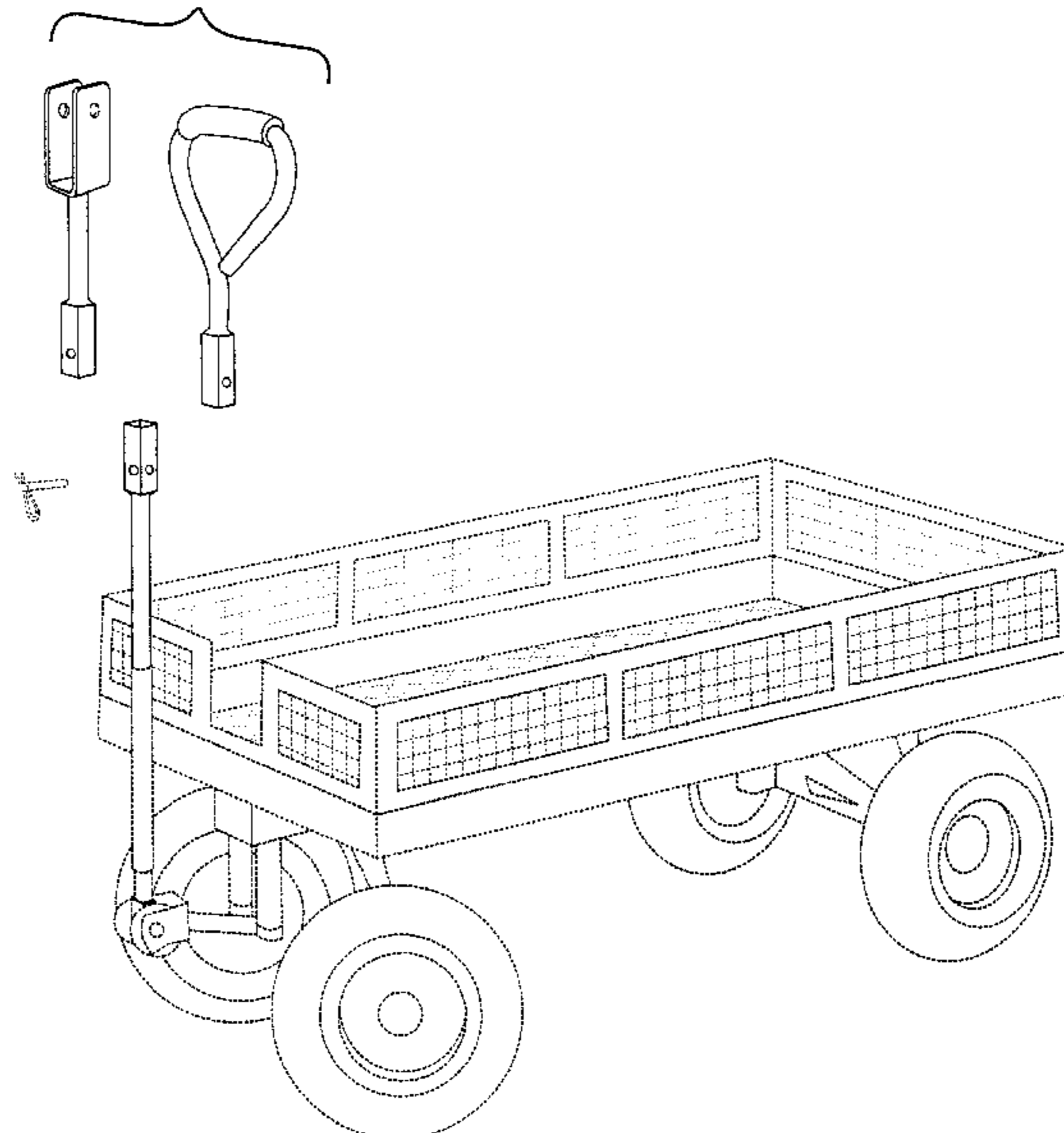
FIG. 8 is a front view of the top portion of the mounting shaft for the interchangeable hitch handles according to the present invention. The left side view, right side view, and rear view of the top portion of the mounting shaft for the interchangeable hitch handles according to the present invention are identical to the front view.

FIG. 9 is a top view of the top portion of the mounting shaft for the interchangeable hitch handles according to the present invention; and,

FIG. 10 is a bottom view of the top portion of the mounting shaft for the interchangeable hitch handles according to the present invention.

The broken lines shown in FIGS. 1 and 8 are for illustrative purposes only and form no part of the claimed design and the separate showing of the mounting shaft is for ease of illustration only.

1 Claim, 5 Drawing Sheets



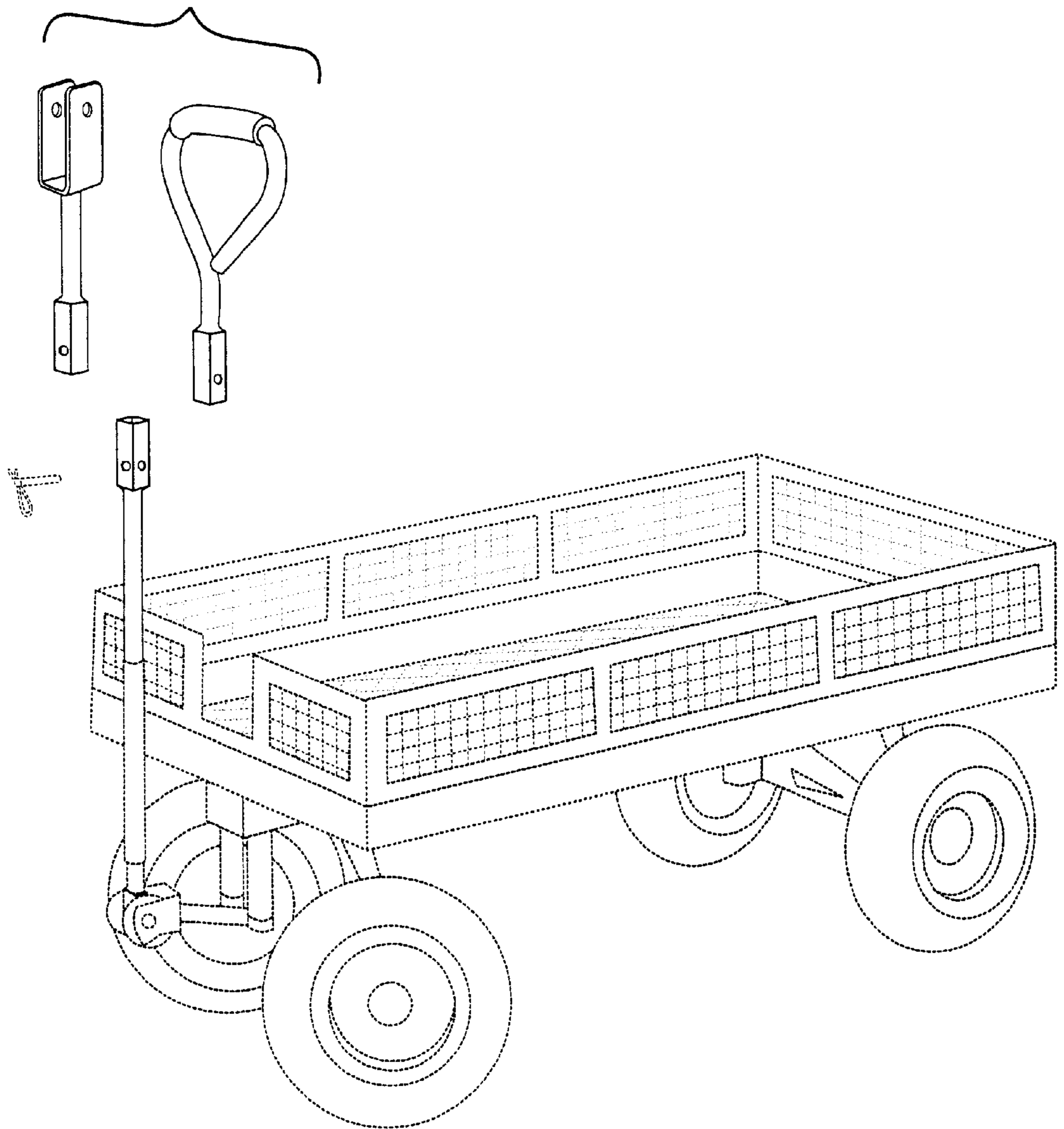


Figure 1

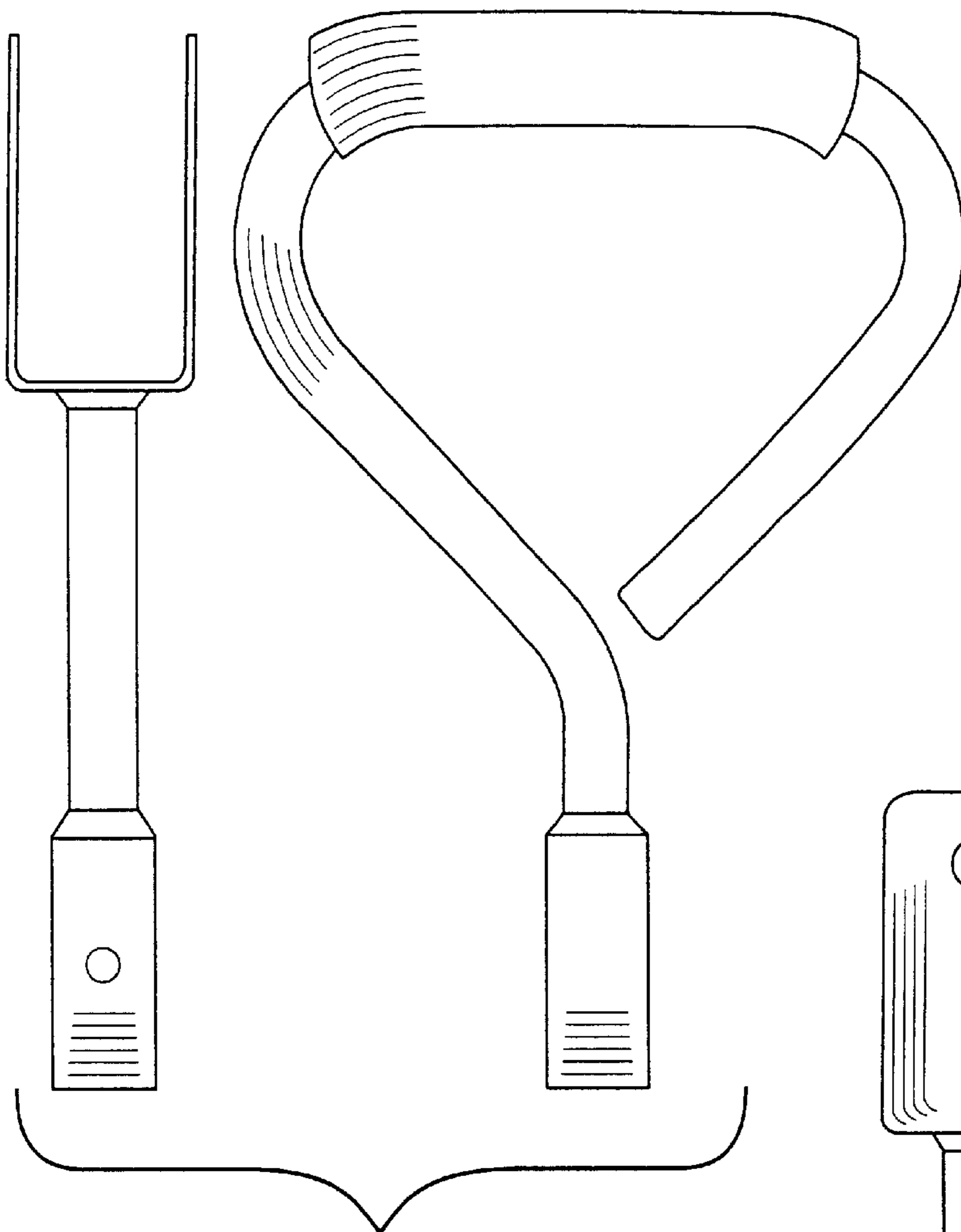


Figure 2

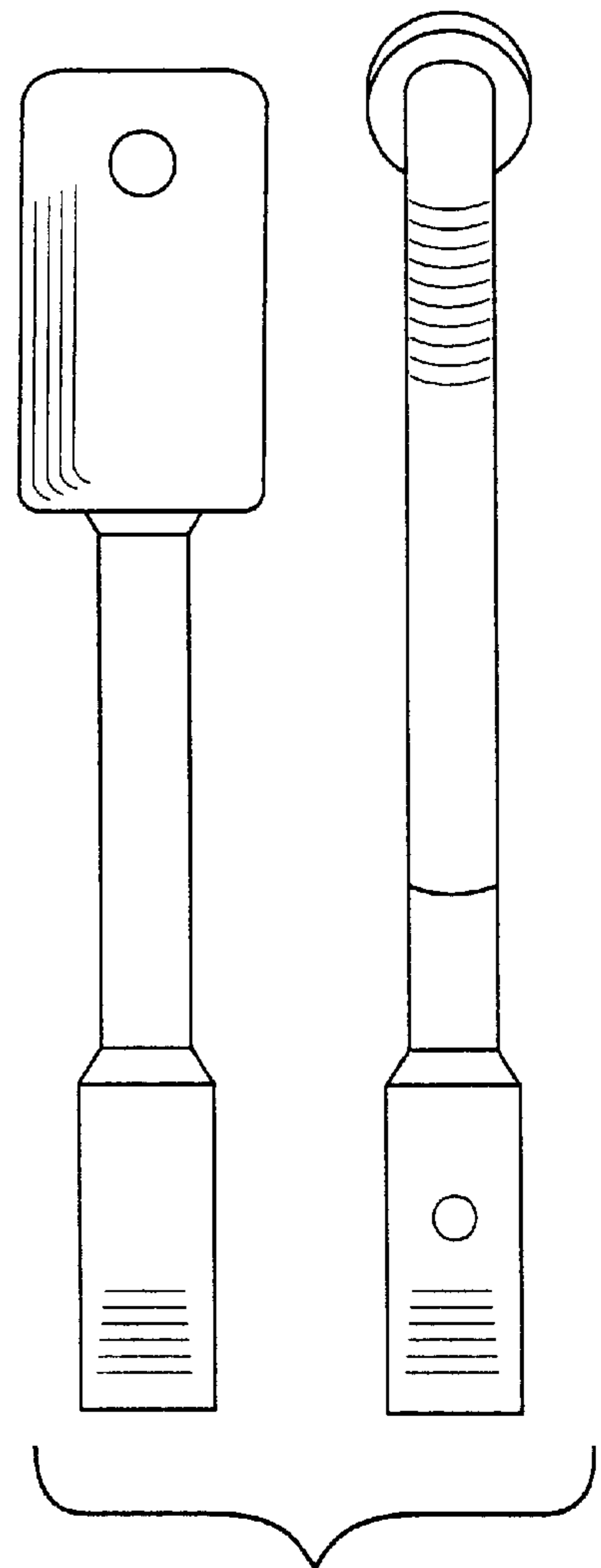


Figure 3

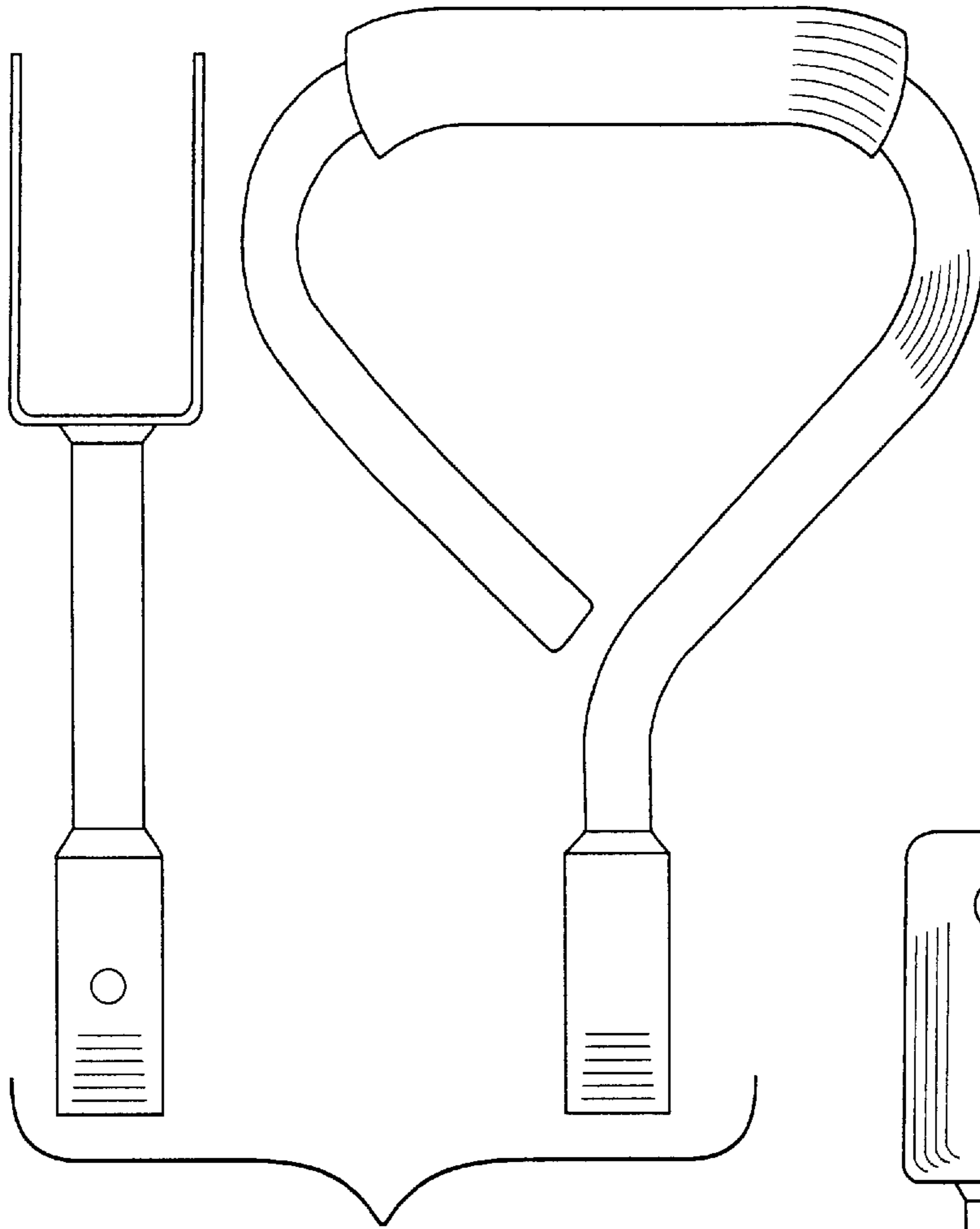


Figure 4

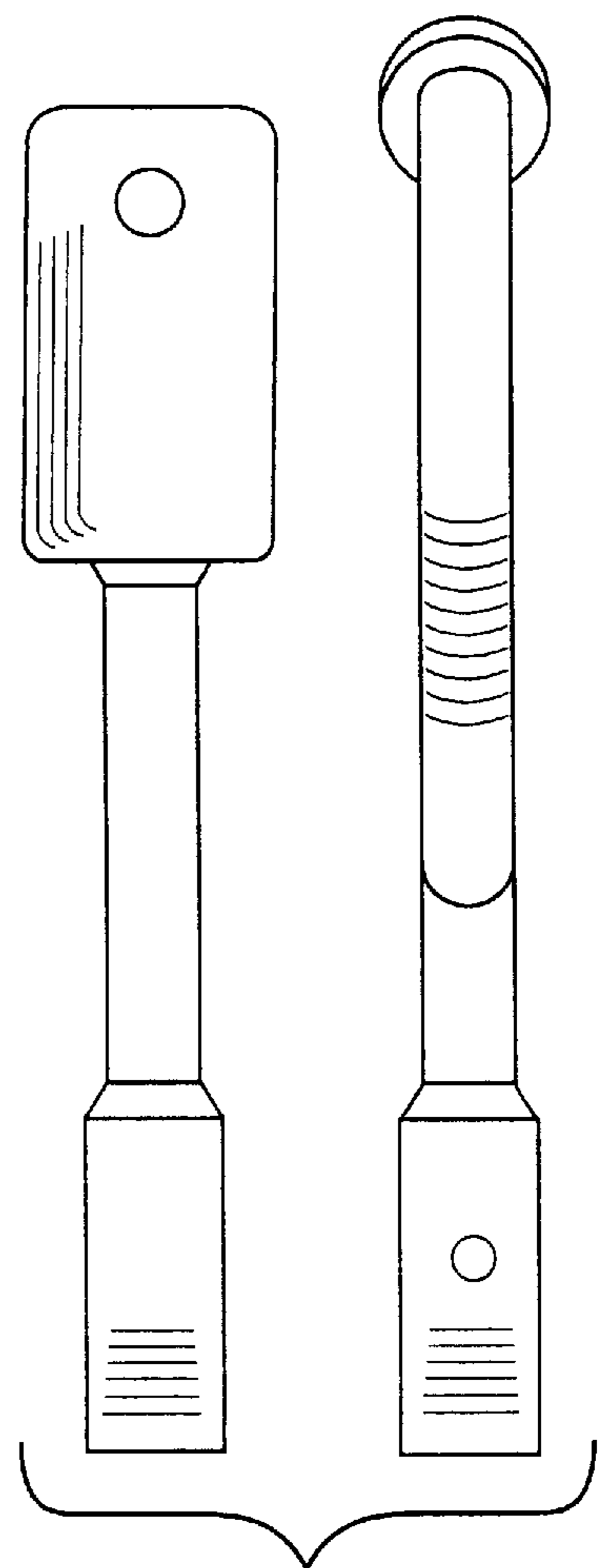


Figure 5

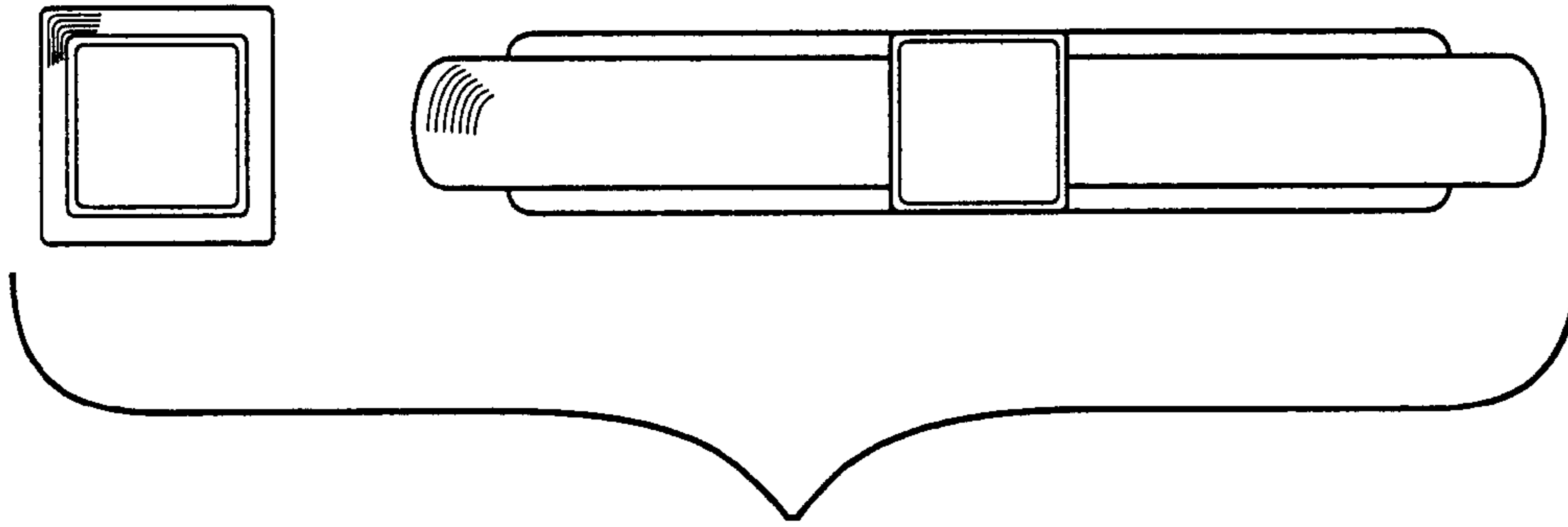


Figure 6

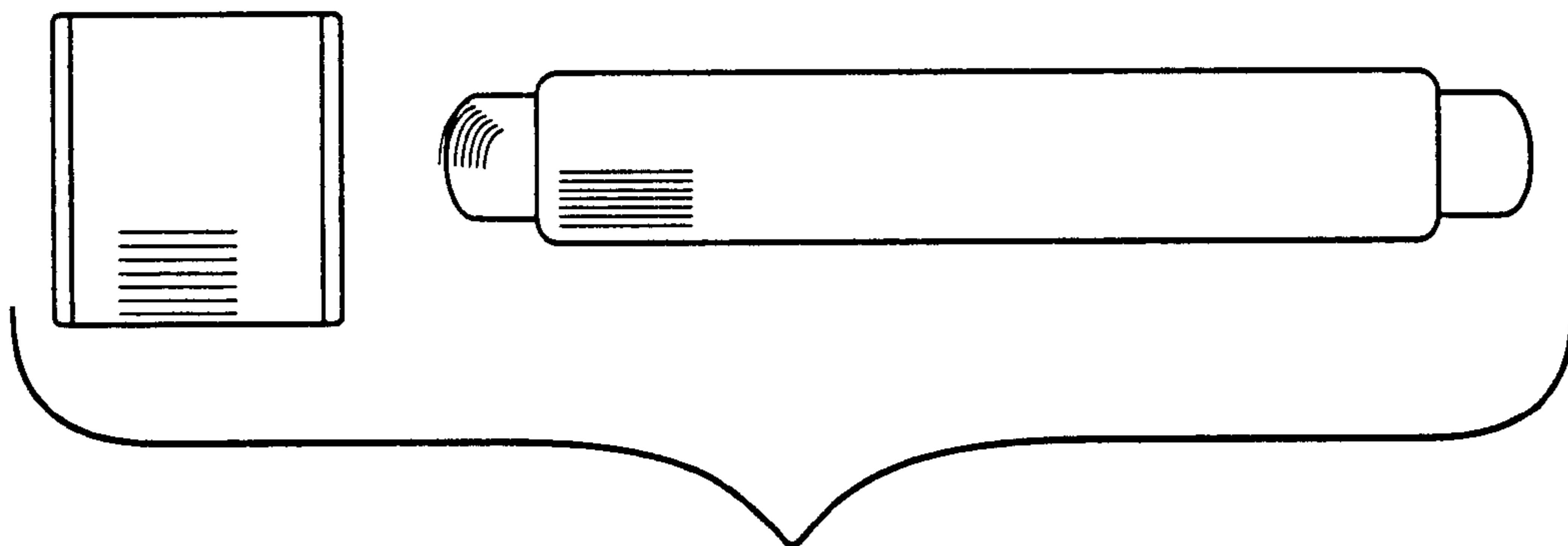


Figure 7

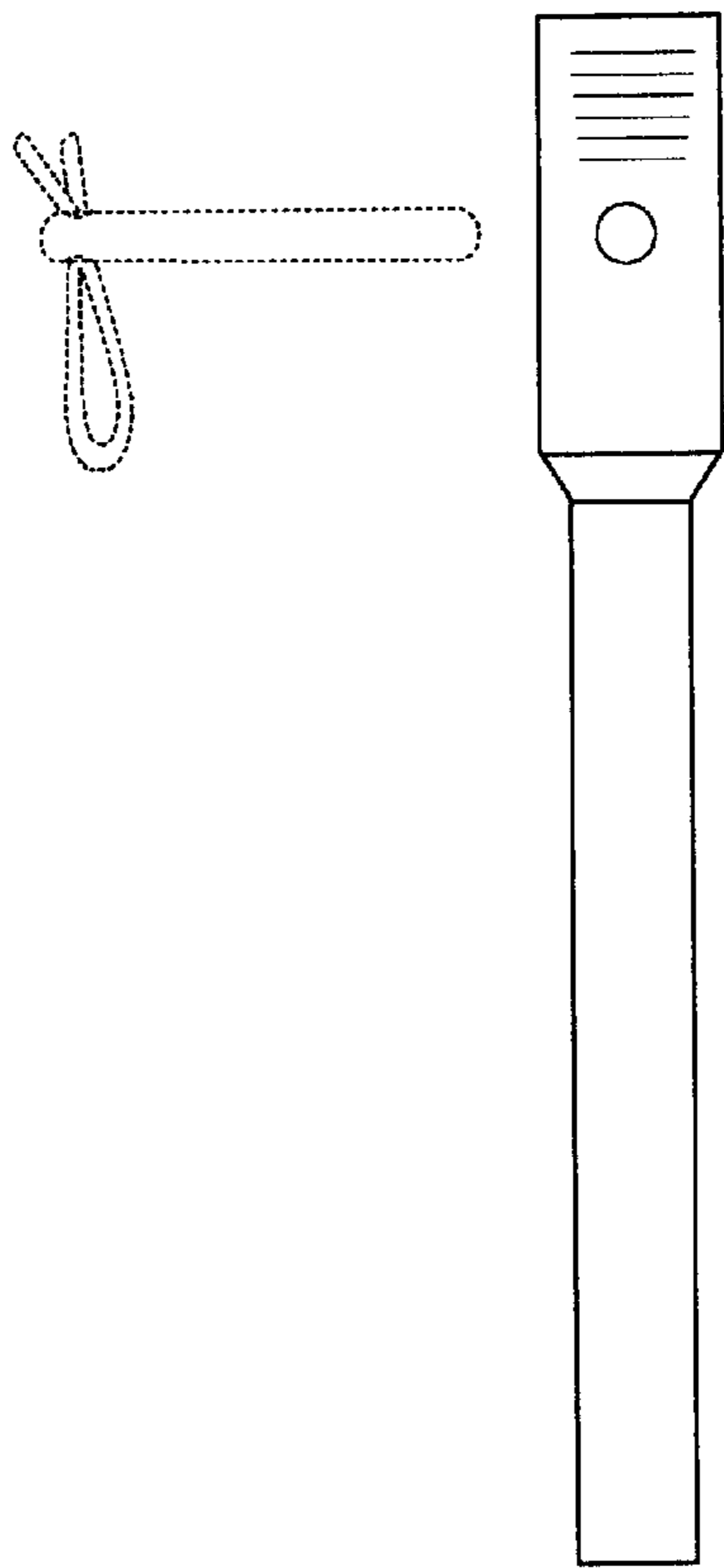


Figure 8

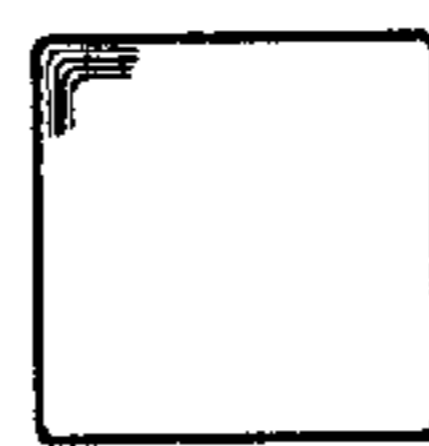


Figure 9

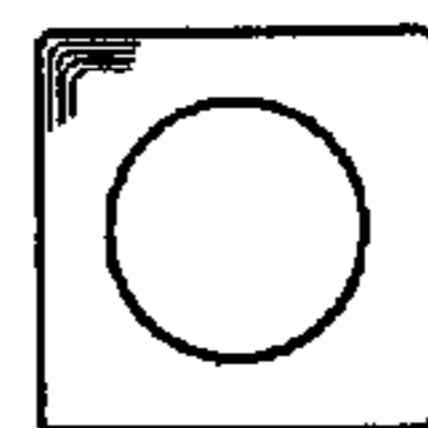


Figure 10