



US00D478941S

(12) **United States Design Patent**  
**Hussaini et al.**

(10) **Patent No.:** **US D478,941 S**

(45) **Date of Patent:** **\*\* Aug. 26, 2003**

(54) **SPEAKER AND LIGHT ASSEMBLY FOR HANDHELD GAME**

(75) Inventors: **Saied Hussaini**, Miami, FL (US); **Marc Iacovelli**, Miami, FL (US)

(73) Assignee: **Intec, Inc.**, Miami, FL (US)

(\*\*) Term: **14 Years**

(21) Appl. No.: **29/166,353**

(22) Filed: **Aug. 27, 2002**

(51) **LOC (7) Cl.** ..... **21-01**

(52) **U.S. Cl.** ..... **D21/333**

(58) **Field of Search** ..... D21/324, 329,  
D21/330, 333, 385; D14/204, 217, 496;  
273/148 B; 463/1, 29-35, 46, 47, 48; D26/51,  
52, 72, 24, 37-48; 362/26, 86, 109, 135,  
191, 257, 362, 365

(56) **References Cited**

**U.S. PATENT DOCUMENTS**

5,165,779	A	*	11/1992	Totala et al.	.....	273/148	B
5,188,448	A	*	2/1993	Siriani et al.	.....	362/109	
5,379,201	A	*	1/1995	Friedman	.....	362/191	
D439,353	S	*	3/2001	Neiser	.....	D21/333	
6,262,228	B1	*	9/2001	Roberts et al.	.....	345/903	
D459,512	S	*	6/2002	Naghi et al.	.....	D21/333	
D461,849	S	*	8/2002	Hussaini et al.	.....	D21/333	
D462,722	S	*	9/2002	Naghi et al.	.....	D21/333	

D471,595 S \* 3/2003 Li et al. .... D21/333

\* cited by examiner

*Primary Examiner*—Prabhakar Deshmukh

(74) *Attorney, Agent, or Firm*—Liniak, Berenato & White

(57) **CLAIM**

The ornamental design for a speaker and light assembly for handheld game, as shown and described.

**DESCRIPTION**

FIG. 1 is a front view of the speaker and light assembly according to the present invention.

FIG. 2 is a rear view of the speaker and light assembly of FIG. 1.

FIG. 3 is a right side view of the speaker and light assembly of FIG. 1.

FIG. 4 is a left side view of the speaker and light assembly of FIG. 1.

FIG. 5 is a top view of the speaker and light assembly of FIG. 1.

FIG. 6 is a bottom view of the speaker and light assembly of FIG. 1; and,

FIG. 7 is a front and left elevational perspective view of the speaker and light assembly of FIG. 1.

The broken line showing of an electric conduit is for illustrative purpose only and forms no part of the claimed design.

**1 Claim, 4 Drawing Sheets**

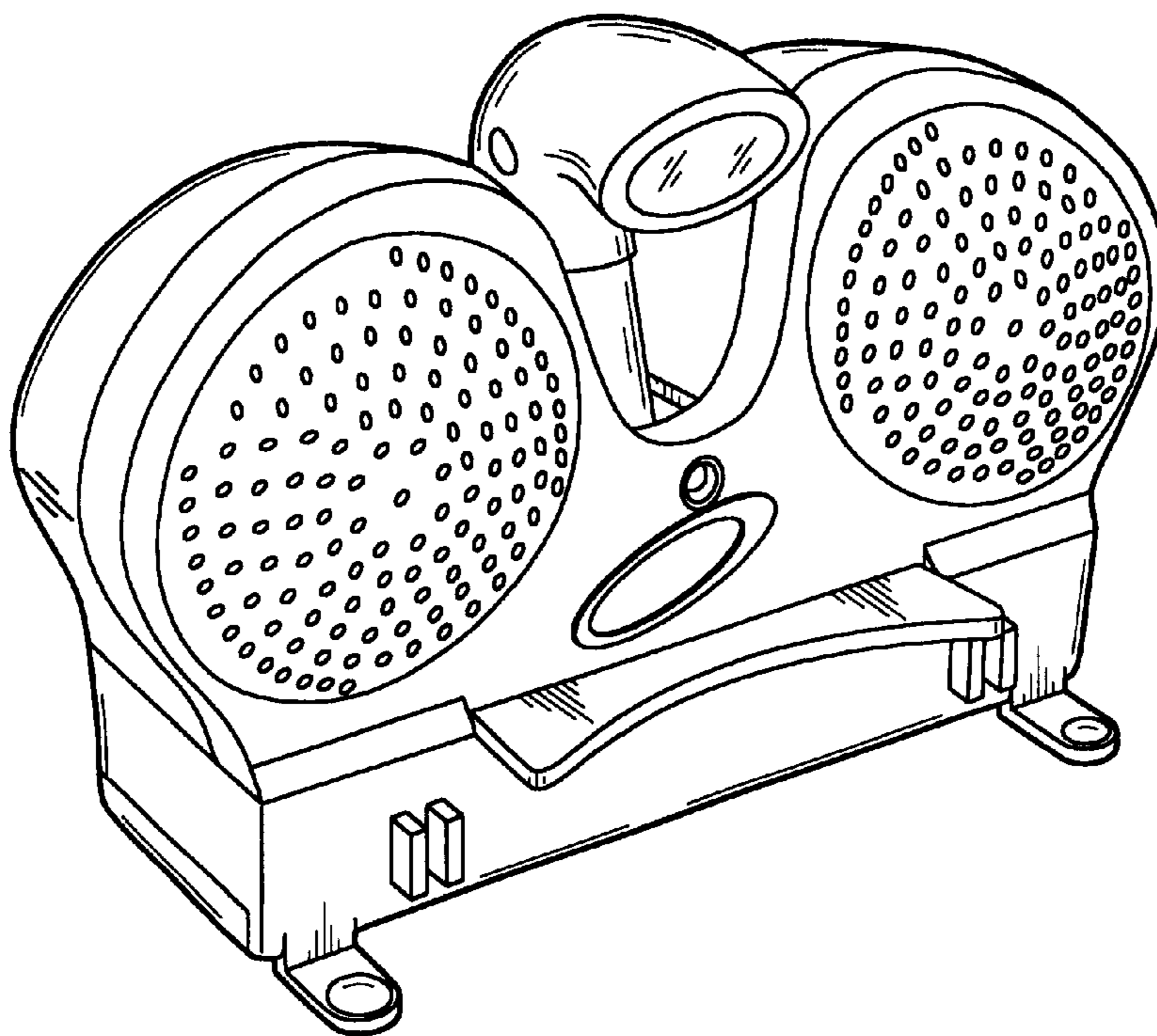


Fig. 1

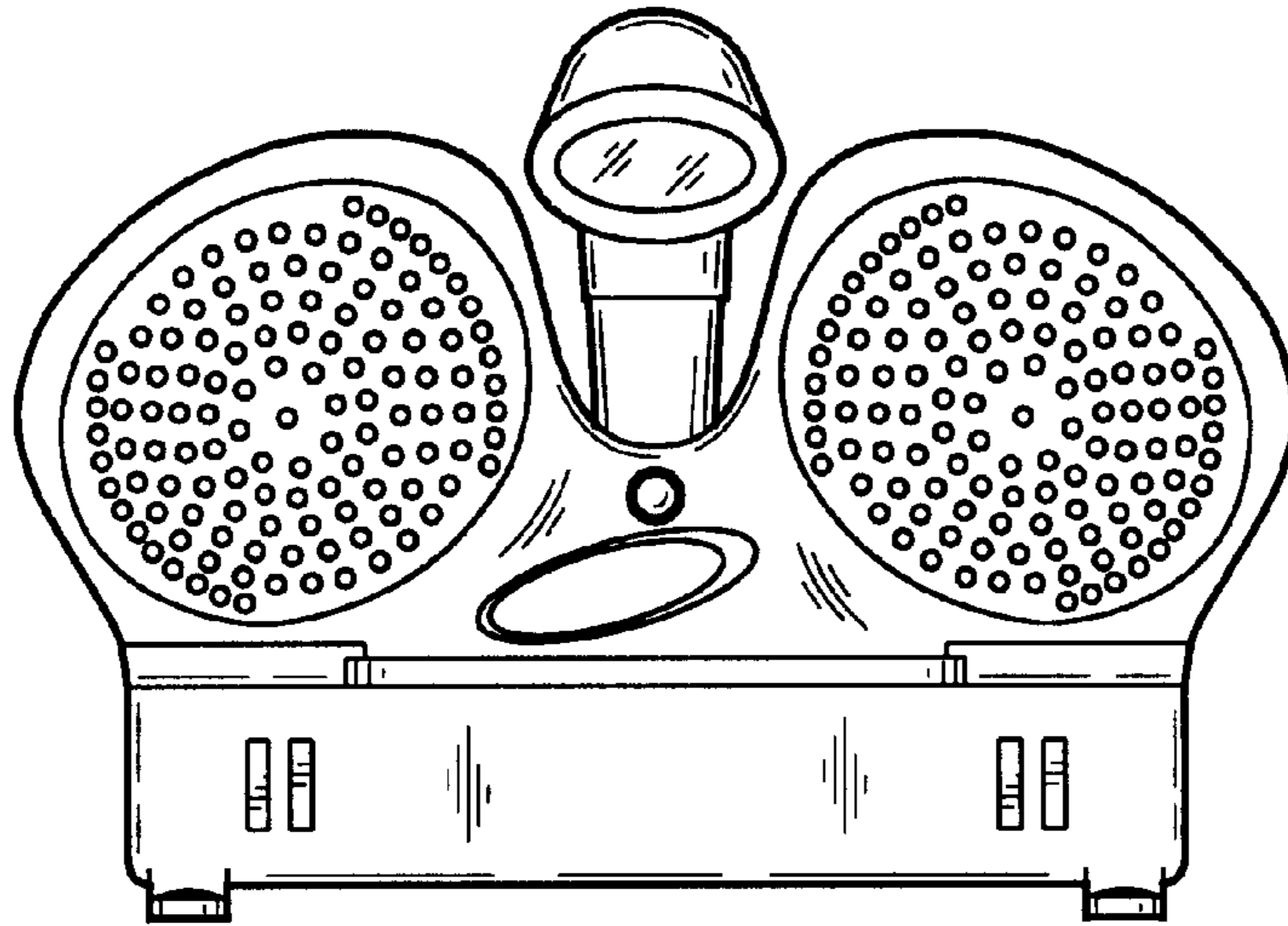


Fig. 2

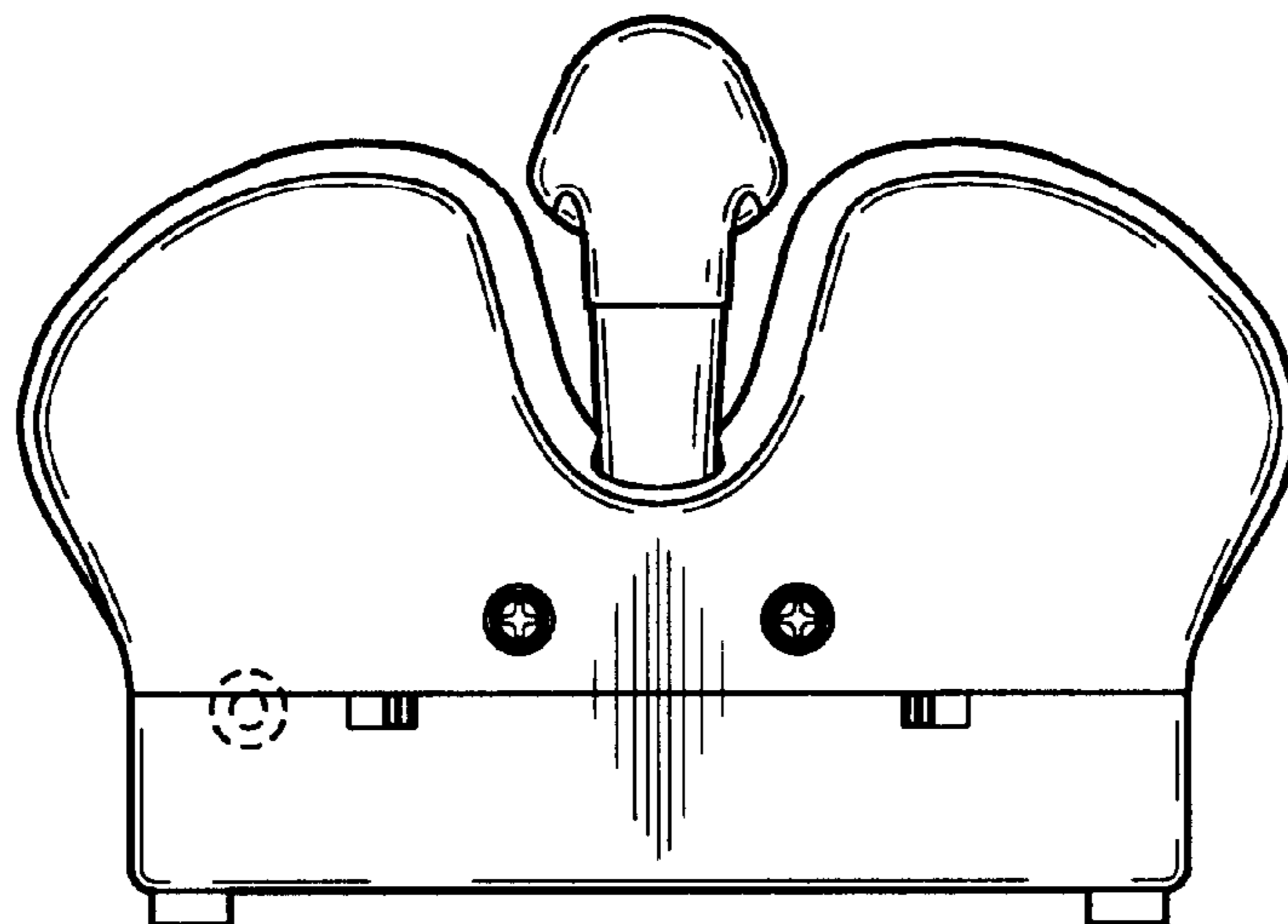


Fig. 3

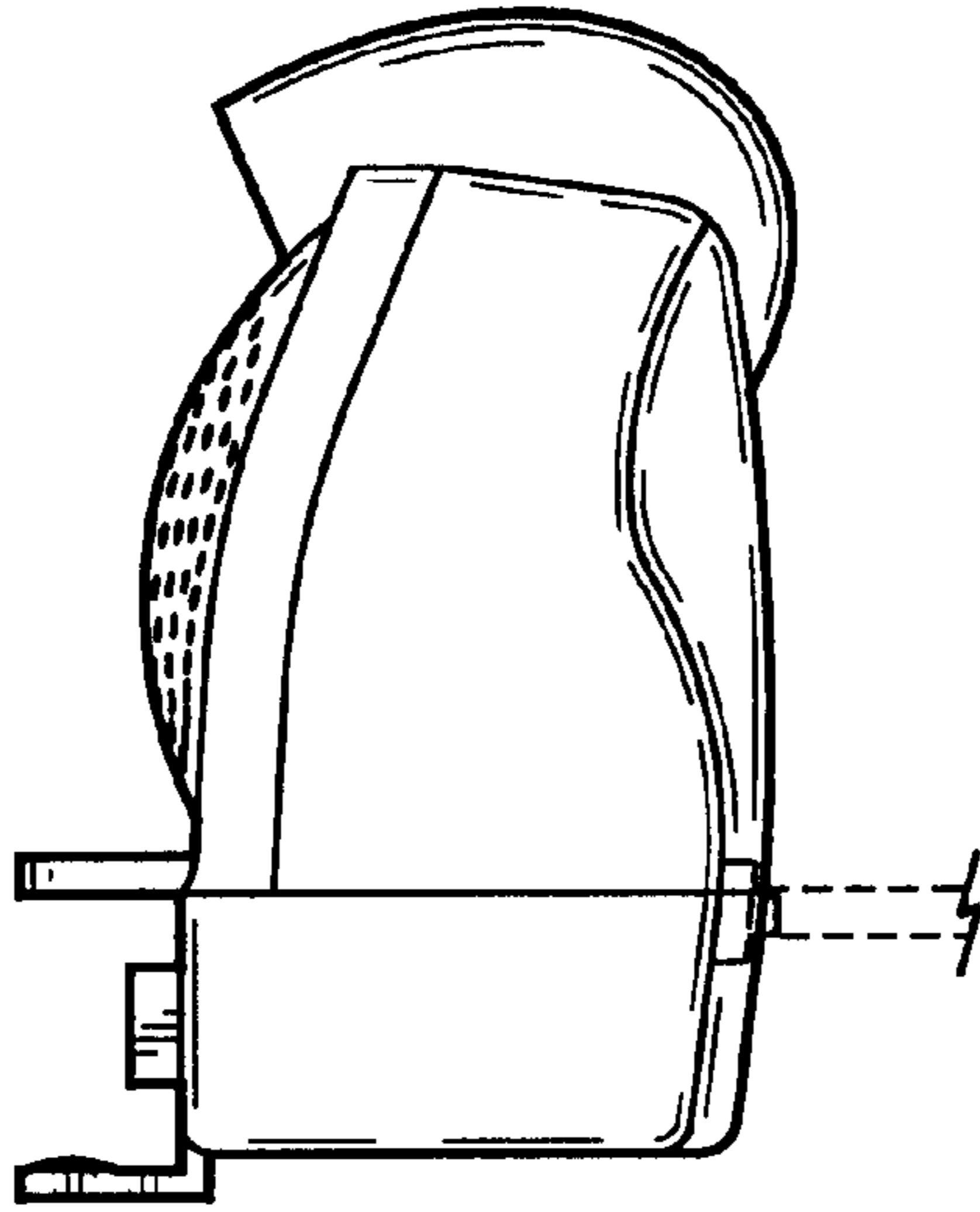


Fig. 4

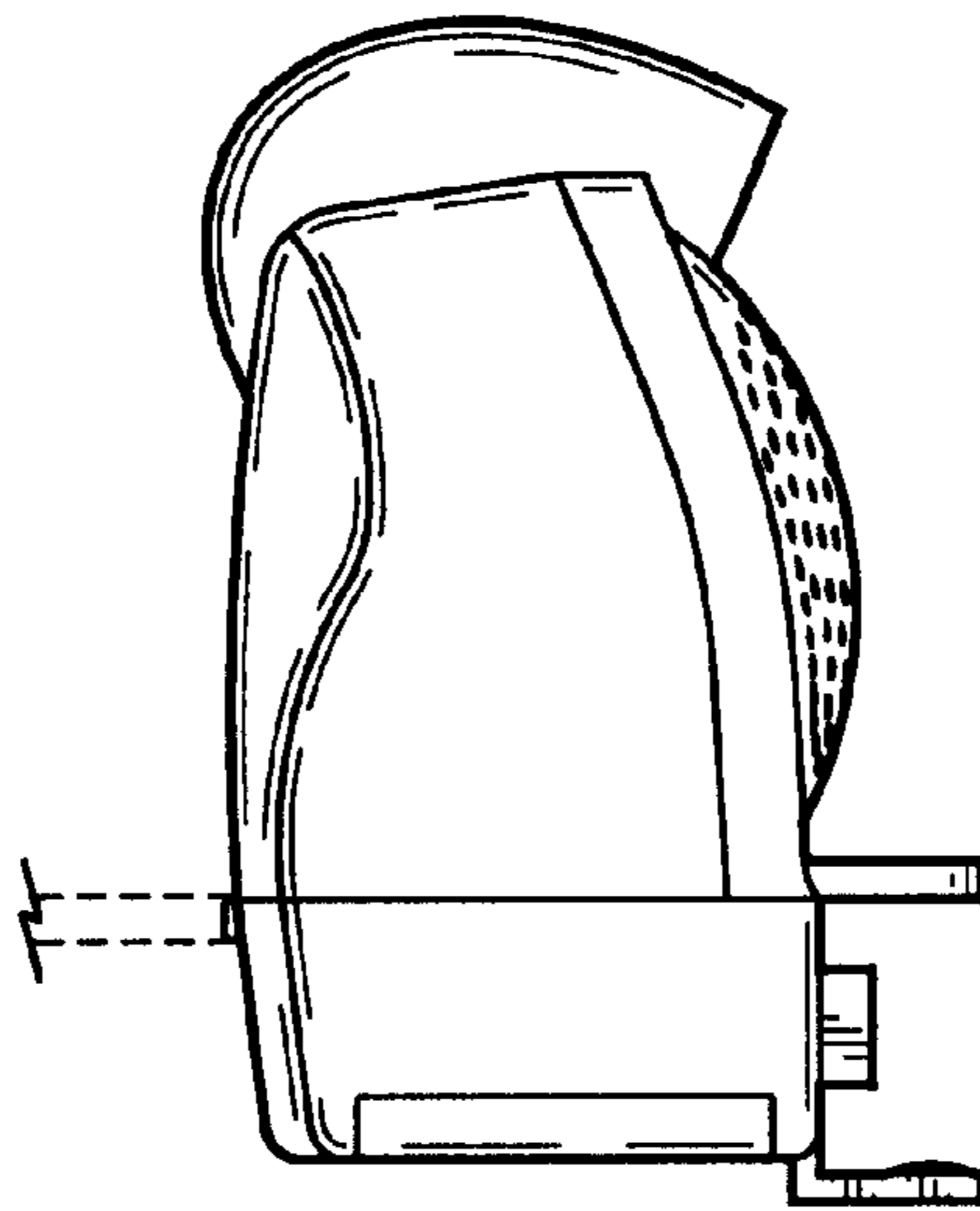


Fig. 5

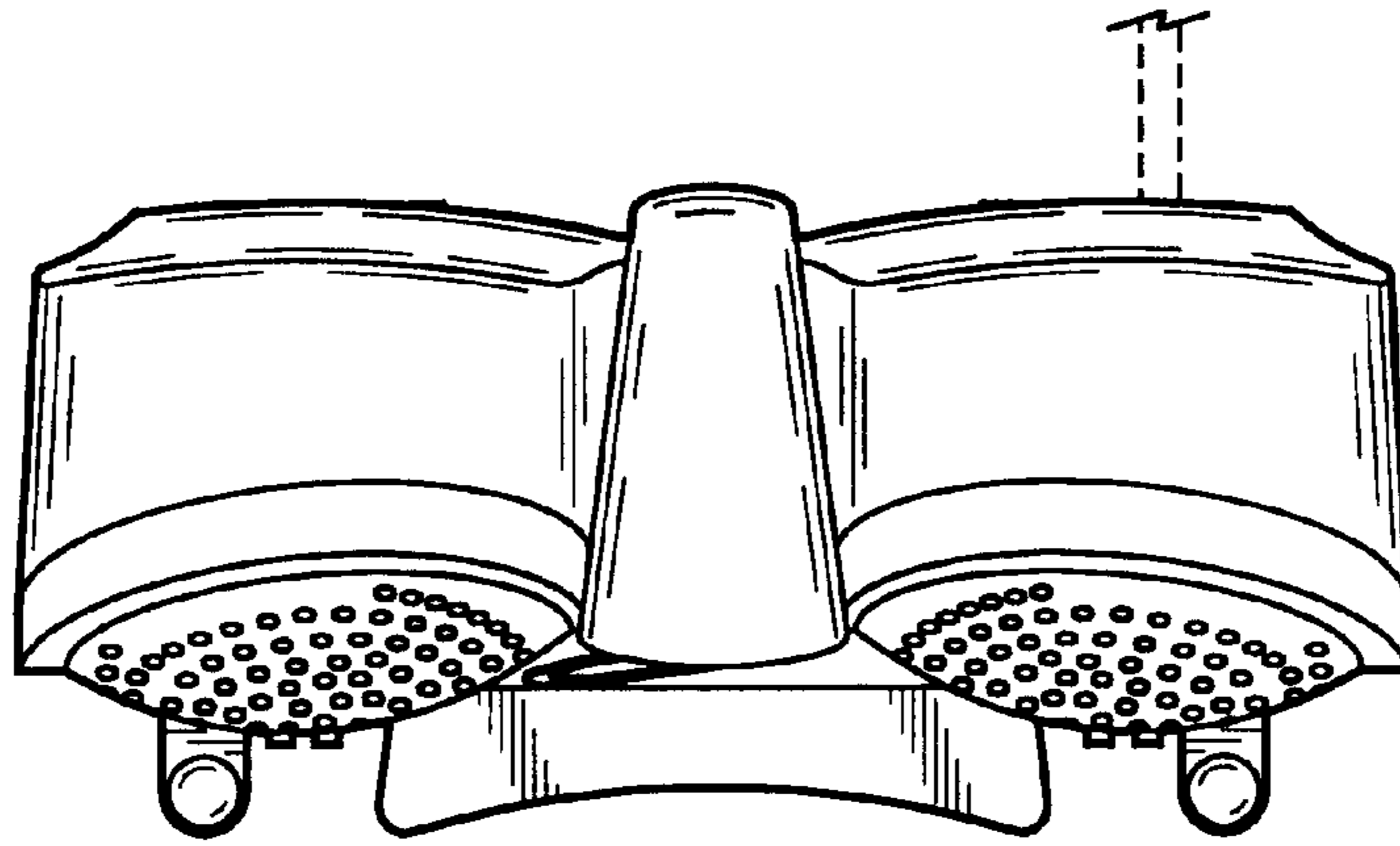


Fig. 6

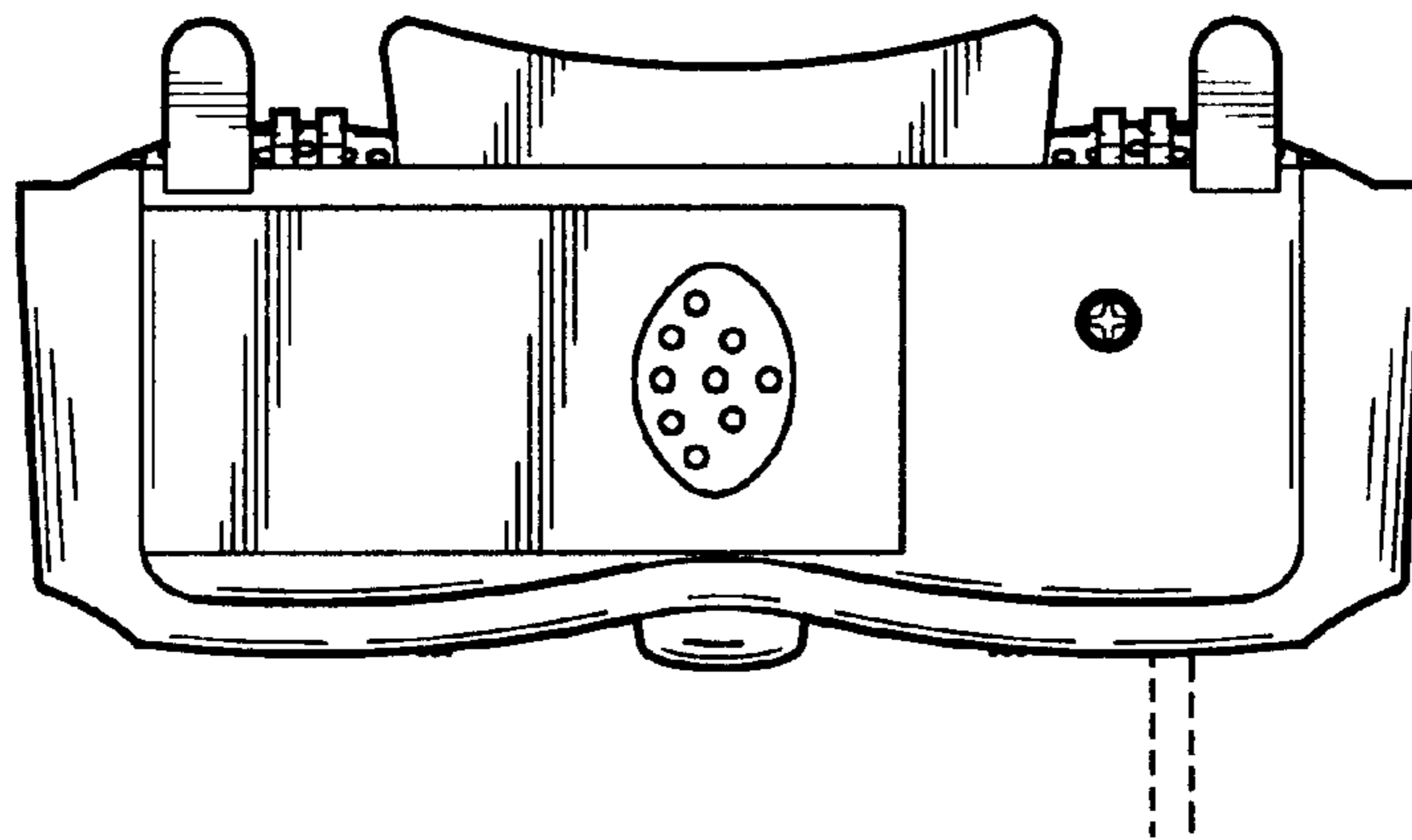


Fig. 7

