



US00D478939S

(12) **United States Design Patent**
McReynolds

(10) **Patent No.:** **US D478,939 S**

(45) **Date of Patent:** **** Aug. 26, 2003**

(54) **GAME TARGET**

6,398,215 B1 * 6/2002 Carroll 273/407
6,435,512 B1 * 8/2002 Beckwith, Sr. 273/407

(76) Inventor: **John Patrick McReynolds**, 14041
Cashel Forest, Houston, TX (US) 77069

* cited by examiner

(**) Term: **14 Years**

Primary Examiner—Prabhakar Beshmukh

(21) Appl. No.: **29/162,649**

(57) **CLAIM**

(22) Filed: **Jun. 17, 2002**

The ornamental design for a game target, as shown and described.

(51) **LOC (7) Cl.** **21-01**

DESCRIPTION

(52) **U.S. Cl.** **D21/302**

(58) **Field of Search** D21/300, 303,
D21/307, 309, 800, 814, 826, 811; 273/331,
348, 333, 359, 390, 369, 407

FIG. 1 is a front elevational view of a game target showing my new design;

FIG. 2 is a rear elevational view thereof;

FIG. 3 is a side view, taken from the left side of FIG. 1, the right side view being a mirror image thereof;

FIG. 4 is a top plan view thereof;

FIG. 5 is a bottom plan view thereof; and,

FIG. 6 is a perspective view of the game target of my new design.

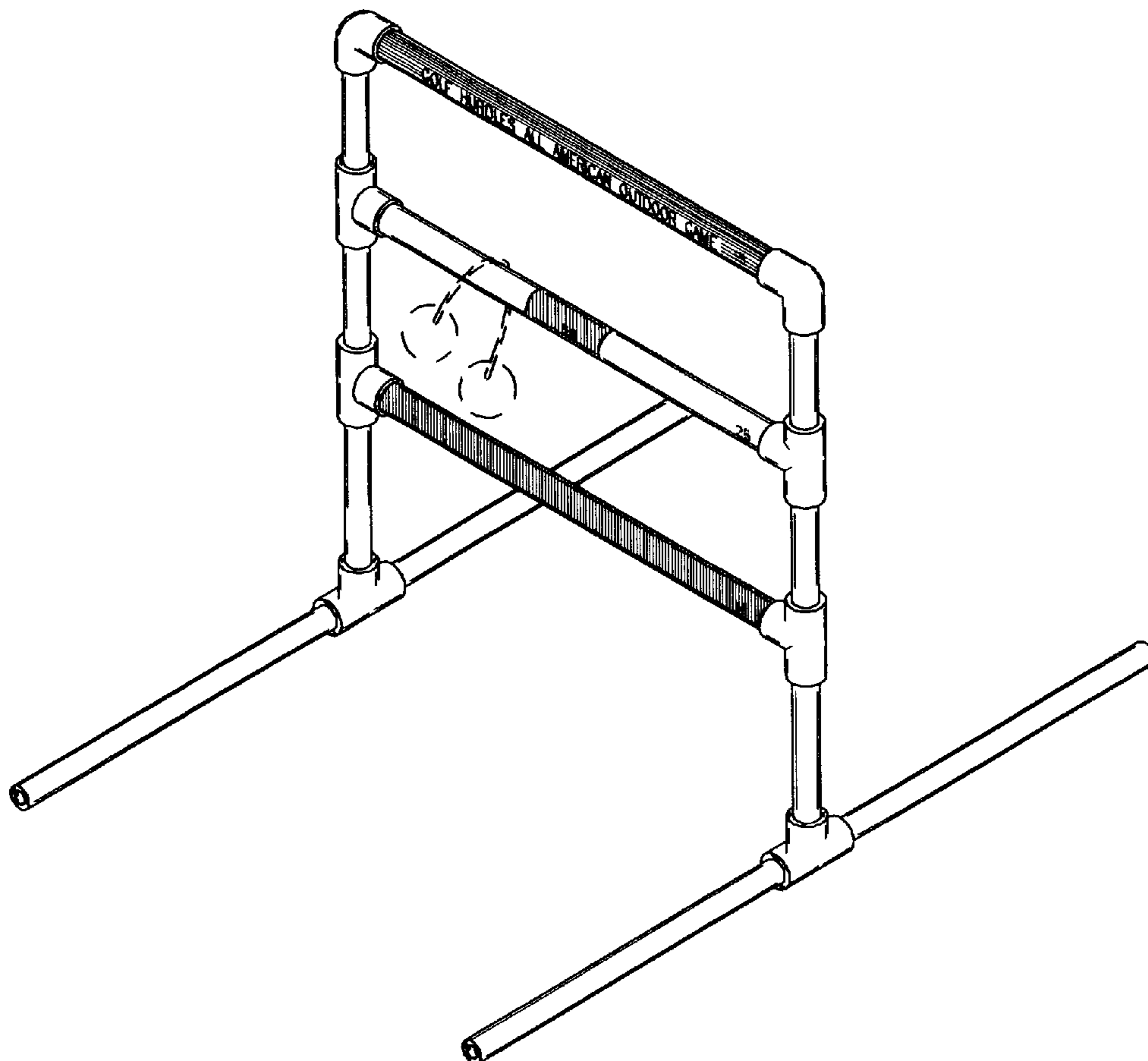
The broken line showing a toss ball assembly in FIG. 6 is for illustrative purposes only and forms no part of the claimed design.

(56) **References Cited**

U.S. PATENT DOCUMENTS

D265,433 S	*	7/1982	Koenig	D21/800
D276,449 S	*	11/1984	Morrison et al.	D21/307
D279,942 S	*	8/1985	Vasquez et al.	D21/800
4,629,188 A	*	12/1986	Mahieu	273/407
4,726,593 A	*	2/1988	Wade	273/407
D333,683 S	*	3/1993	Trachet	D21/302
D405,834 S	*	2/1999	Weng et al.	D21/302
5,937,203 A	*	8/1999	Beckwith, Sr.	273/407

1 Claim, 6 Drawing Sheets



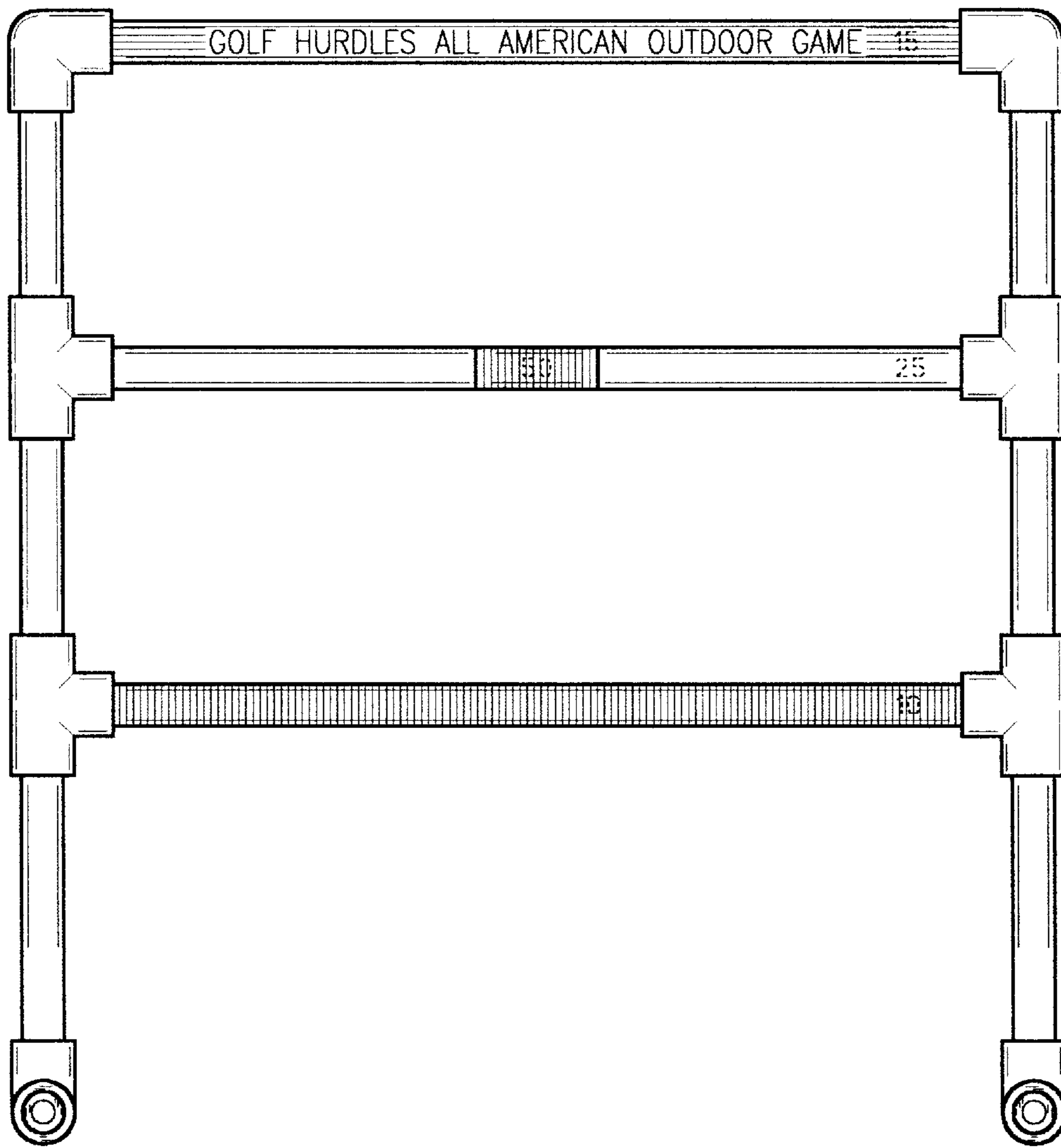


FIG. 1

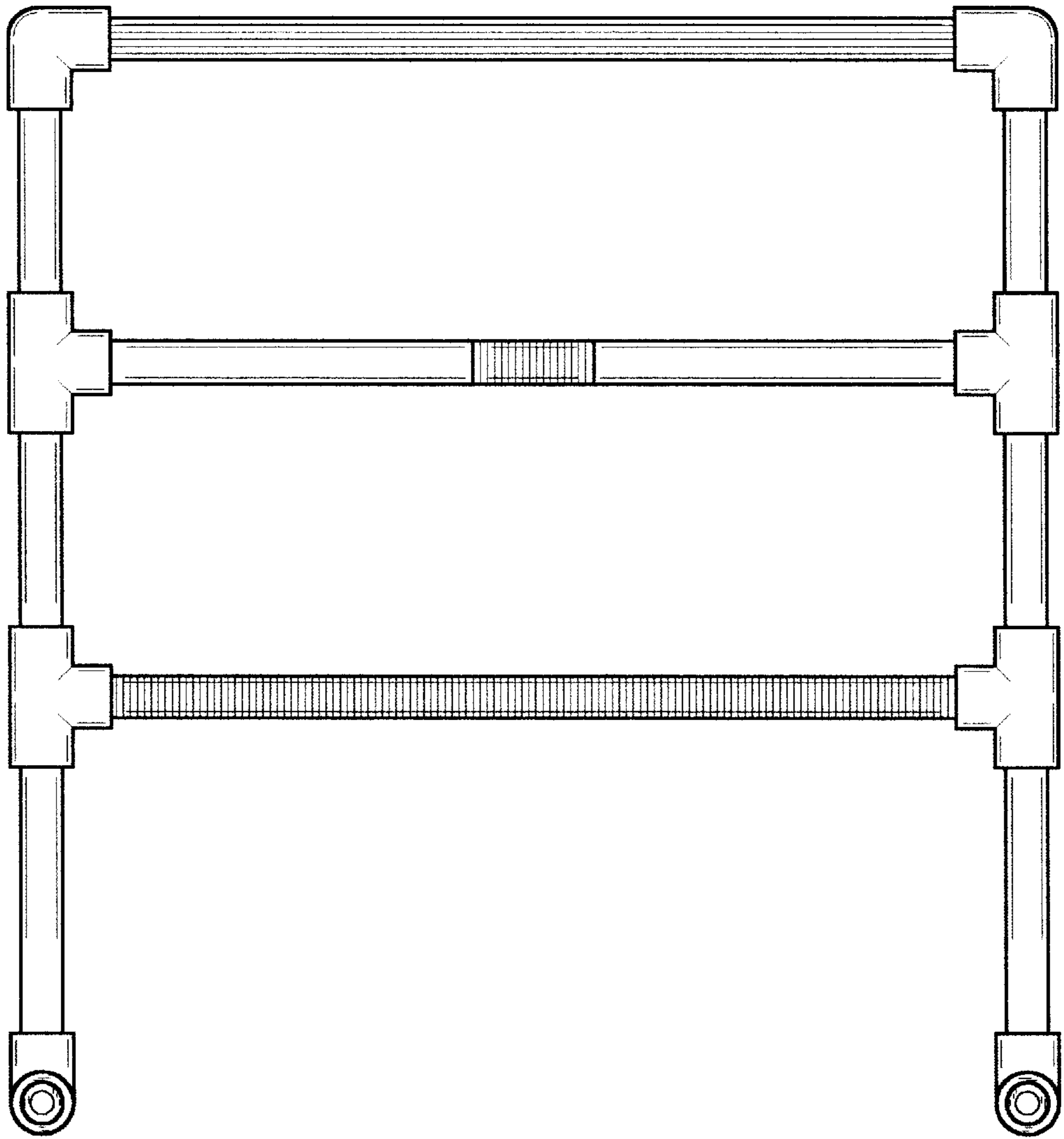


FIG. 2

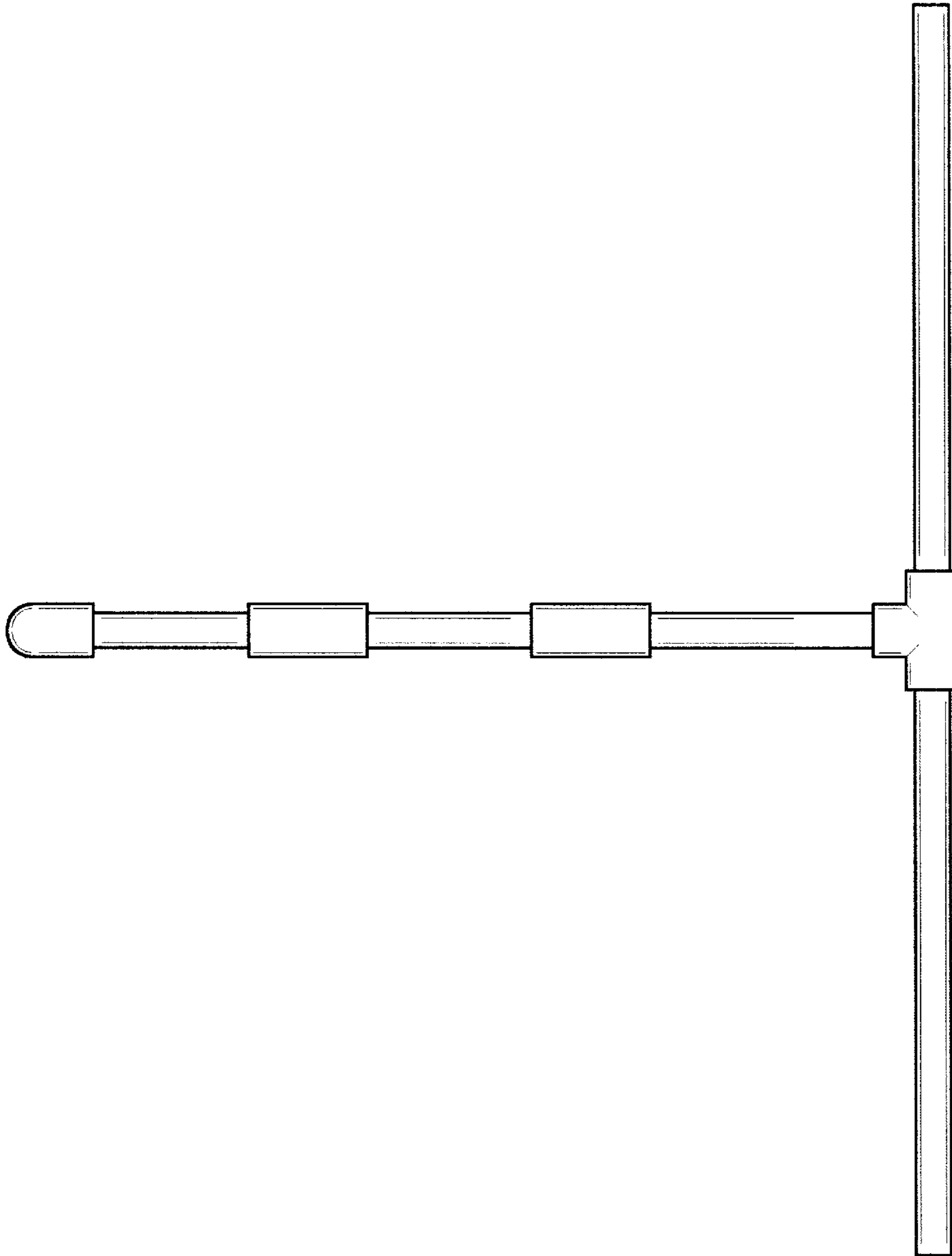
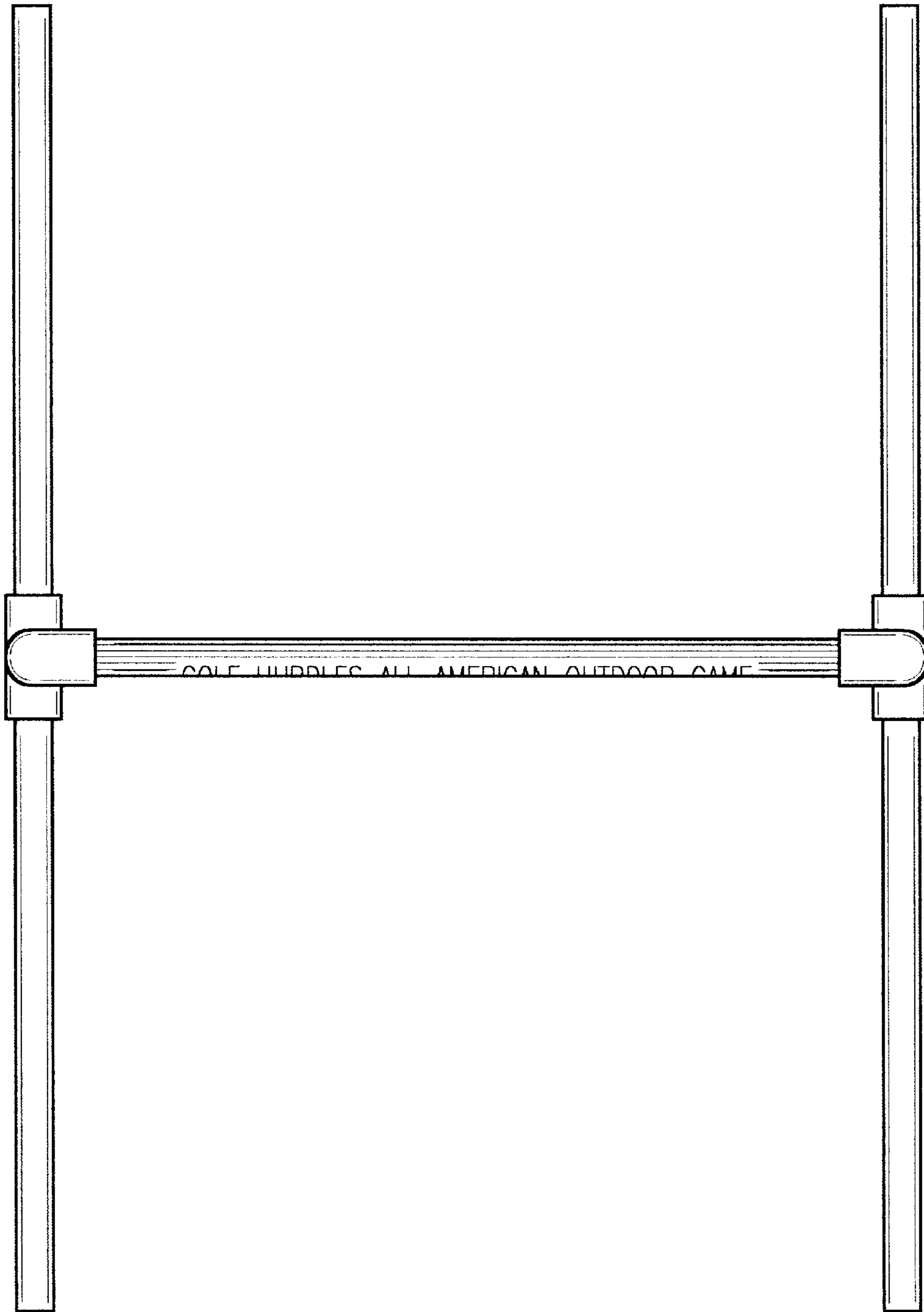


FIG. 3

FIG. 4



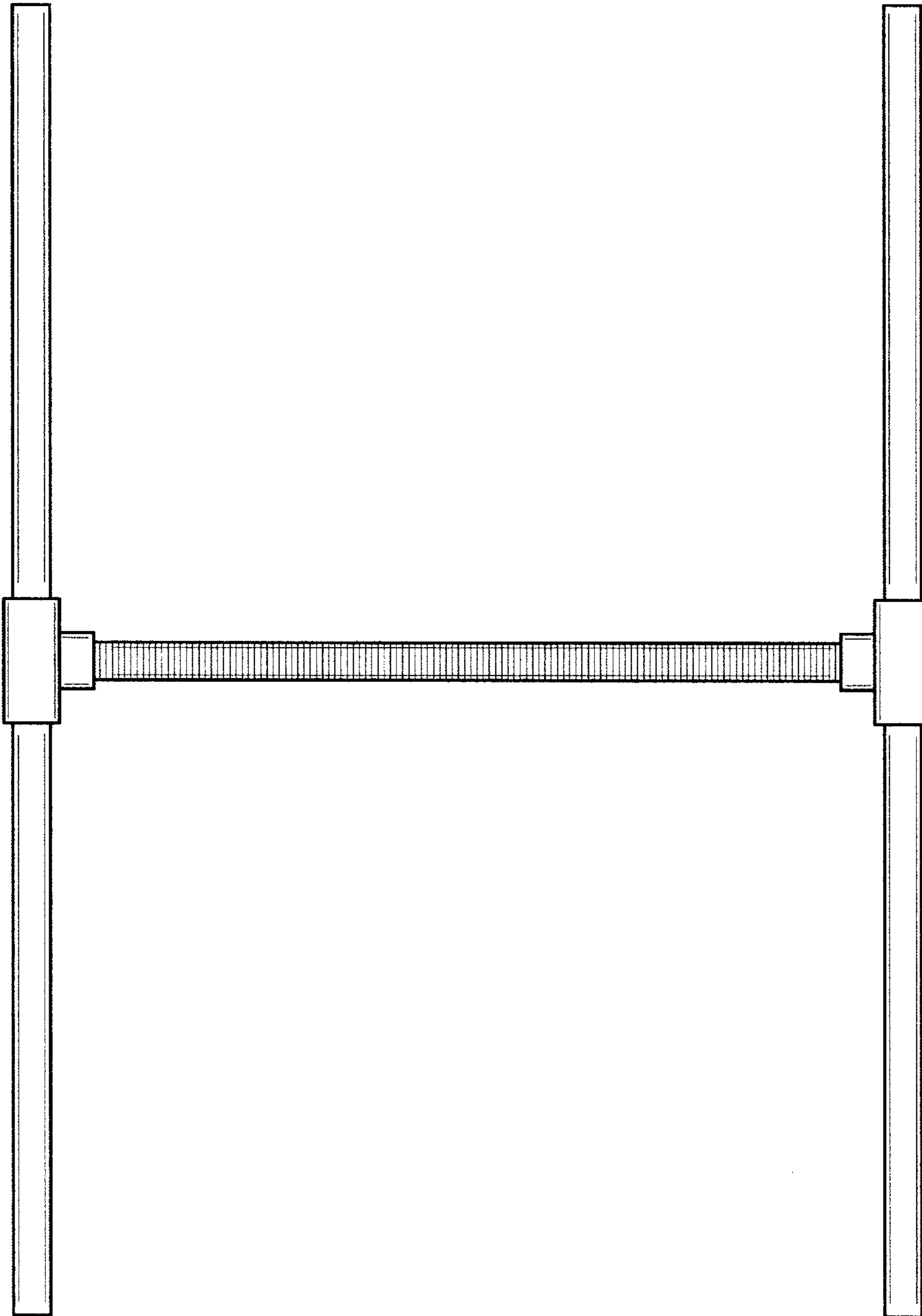


FIG. 5

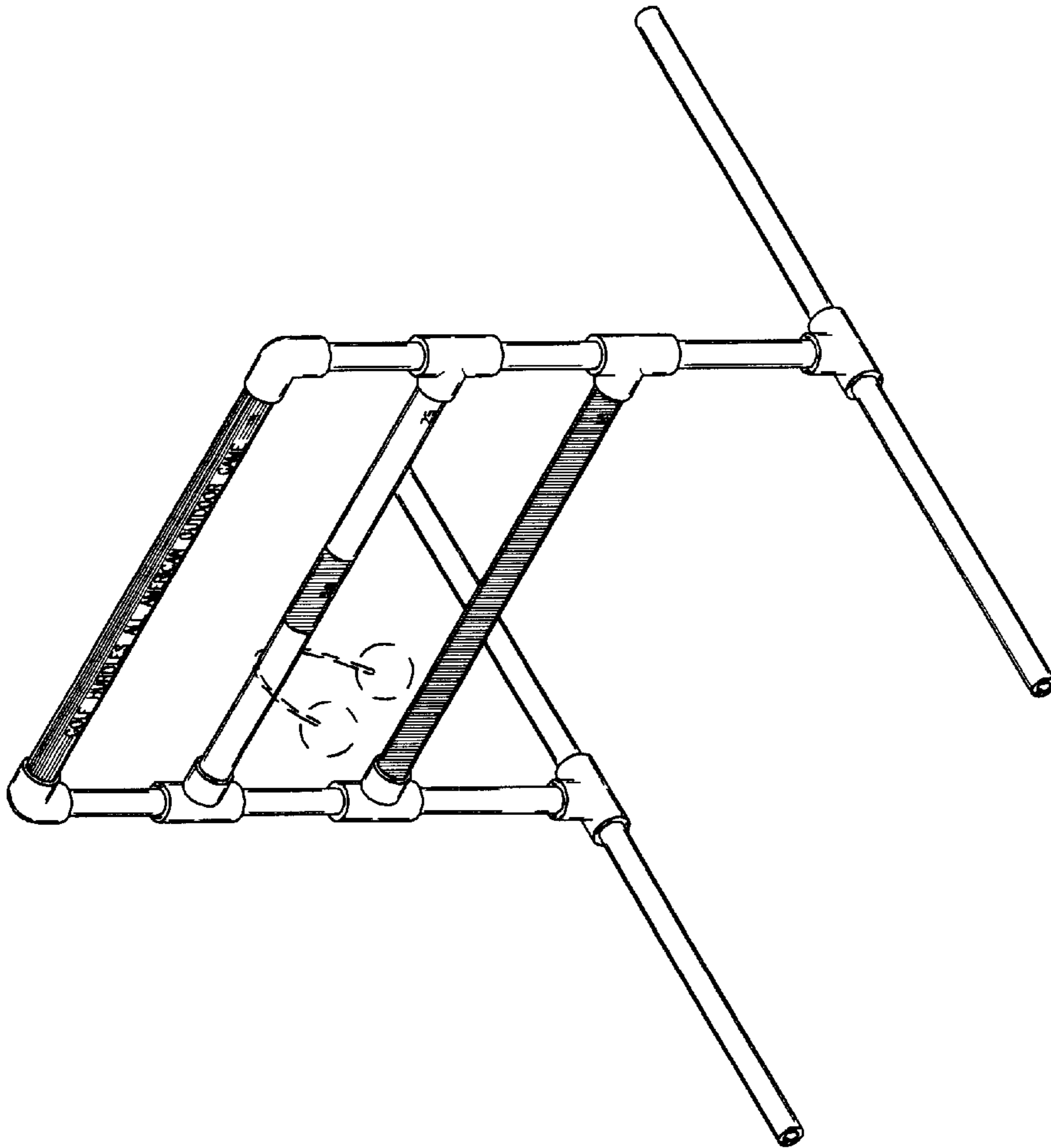


FIG. 6