



US00D478938S

(12) **United States Design Patent**  
**Vande Hey et al.**

(10) **Patent No.:** **US D478,938 S**

(45) **Date of Patent:** **\*\* Aug. 26, 2003**

(54) **YARD GAME TARGET**

(76) Inventors: **Robert Vande Hey**, N6539 Harrison Rd., Hilbert, WI (US) 54129-9260;  
**Gerald Vande Hey**, W2541 County Rd. JJ, Kaukauna, WI (US) 54130

(\*\*) **Term:** **14 Years**

(21) **Appl. No.:** **29/156,393**

(22) **Filed:** **Feb. 27, 2002**

(51) **LOC (7) Cl.** ..... **21-02**

(52) **U.S. Cl.** ..... **D21/302; D21/699**

(58) **Field of Search** ..... D21/300, 302-306, D21/698, 699, 705, 715, 780, 790, 799, 800, 811, 814; D6/317, 396, 409-411, 449, 462, 465, 546; 273/317, 317.8, 331, 336, 338, 343, 348, 398, 400, 402, 404, 407, 410; 473/411, 415, 422, 431, 434, 435, 439, 446, 454, 456, 462, 470, 471, 474, 476-478, 490, 492, 514; 211/182, 123, 206

(56) **References Cited**

**U.S. PATENT DOCUMENTS**

1,238,571 A \* 8/1917 Rosenthal ..... 211/182 X  
D152,688 S \* 3/1949 Hammond ..... D9/411  
2,797,924 A 7/1957 Stewart  
3,701,531 A 10/1972 Bowers

3,717,348 A 2/1973 Bowers  
4,295,648 A \* 10/1981 Stromback ..... 273/402  
4,487,419 A 12/1984 Welbourn  
4,718,668 A \* 1/1988 Schipske ..... 473/462  
5,165,694 A 11/1992 Kraushaar  
D333,683 S \* 3/1993 Trachet ..... D21/302  
D350,569 S \* 9/1994 Boteler ..... D21/780  
5,522,597 A 6/1996 Hanks  
5,803,841 A \* 9/1998 Daskoski ..... 473/454  
6,308,956 B1 10/2001 Reid

\* cited by examiner

*Primary Examiner*—Ted Shooman

*Assistant Examiner*—C. Tuttle

(74) *Attorney, Agent, or Firm*—Keith Frantz

(57) **CLAIM**

The ornamental design for a yard game target, as shown and described.

**DESCRIPTION**

FIG. 1 is a front perspective view showing my new design. FIG. 2 is a rear perspective view thereof; FIG. 3 is front elevational view thereof; FIG. 4 is rear elevational view thereof; FIG. 5 is right side view thereof; FIG. 6 is left side view thereof; FIG. 7 is a bottom plan view thereof; and, FIG. 8 is a top plan view thereof.

**1 Claim, 4 Drawing Sheets**

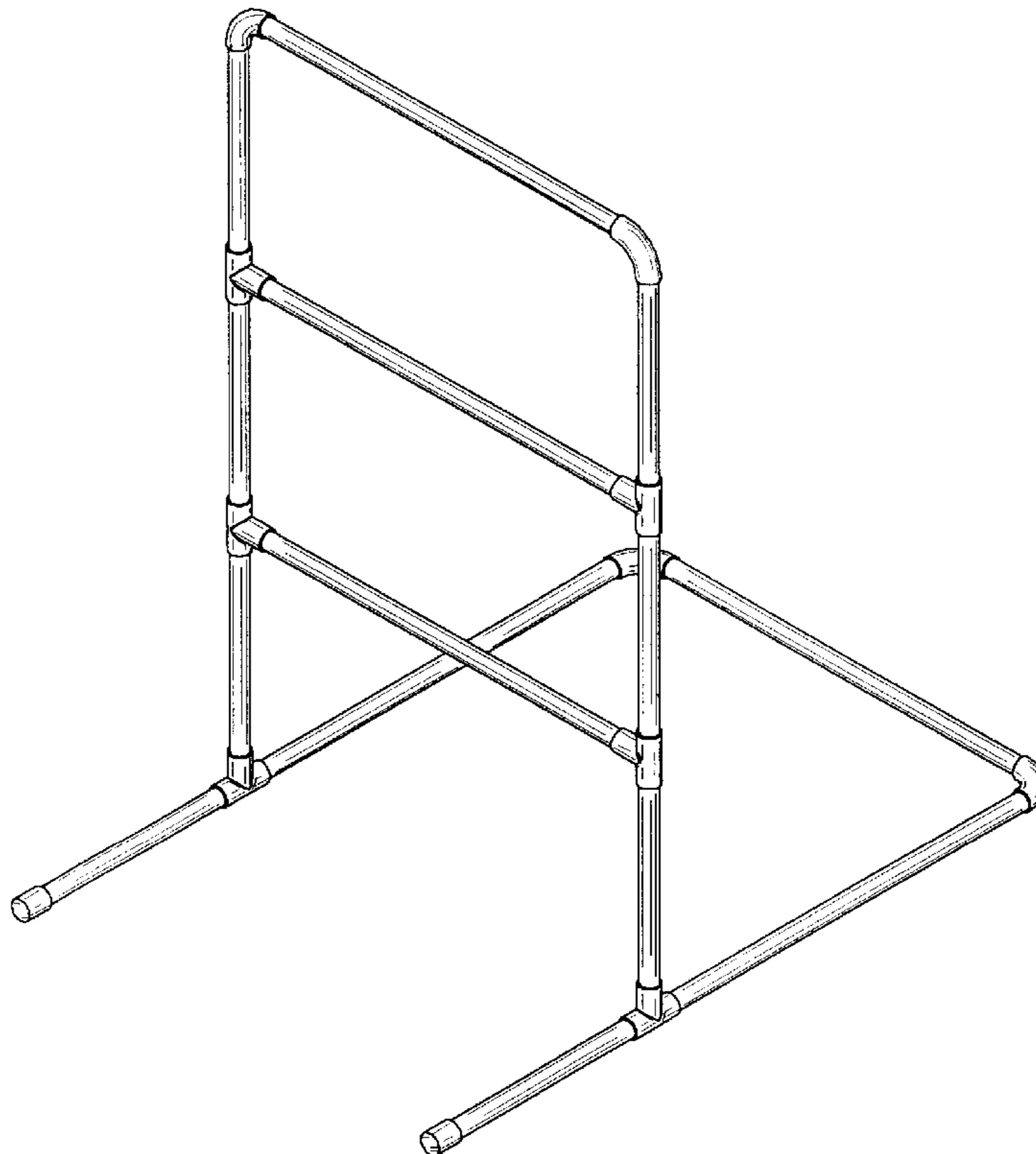


FIG. 2

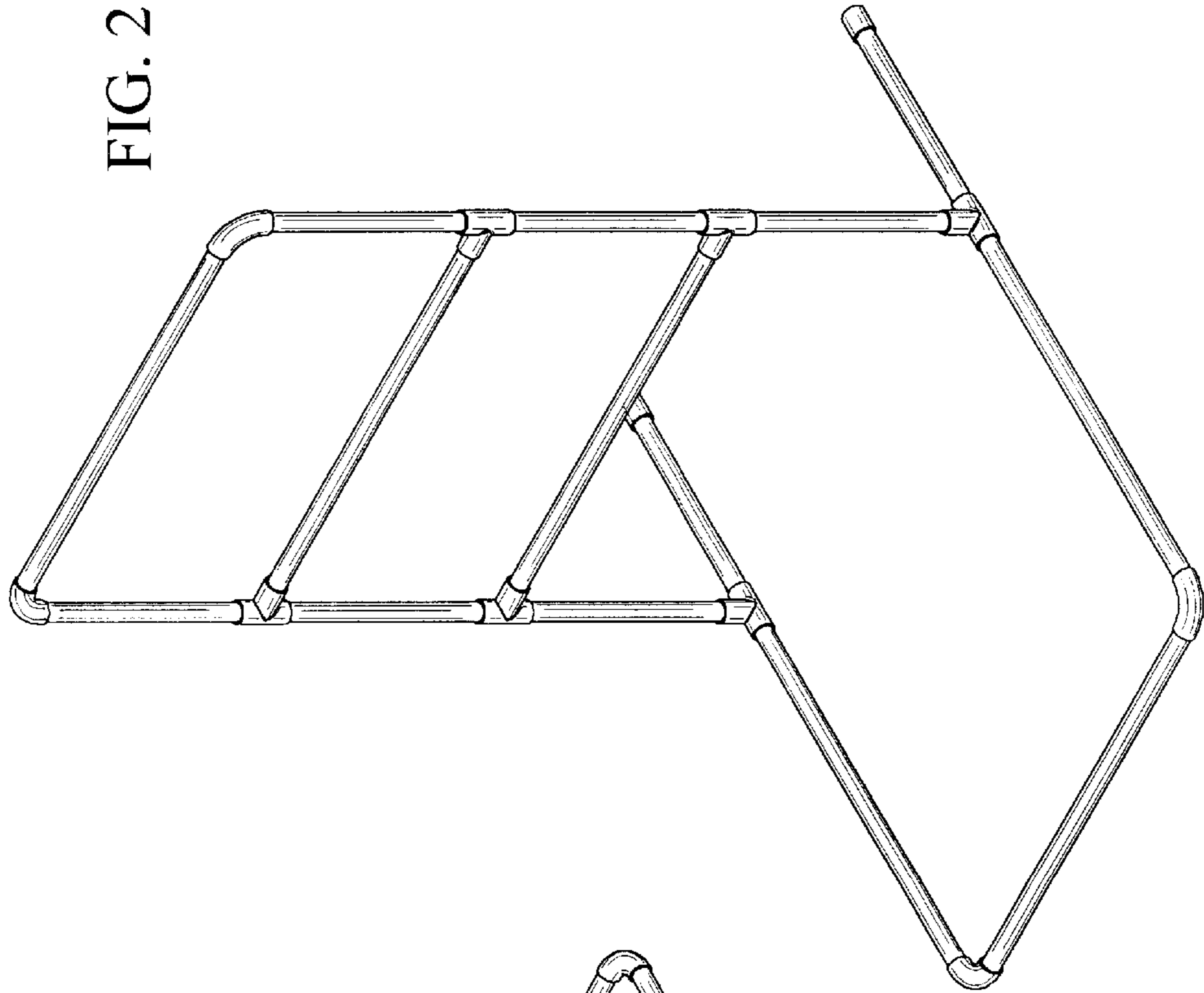


FIG. 1

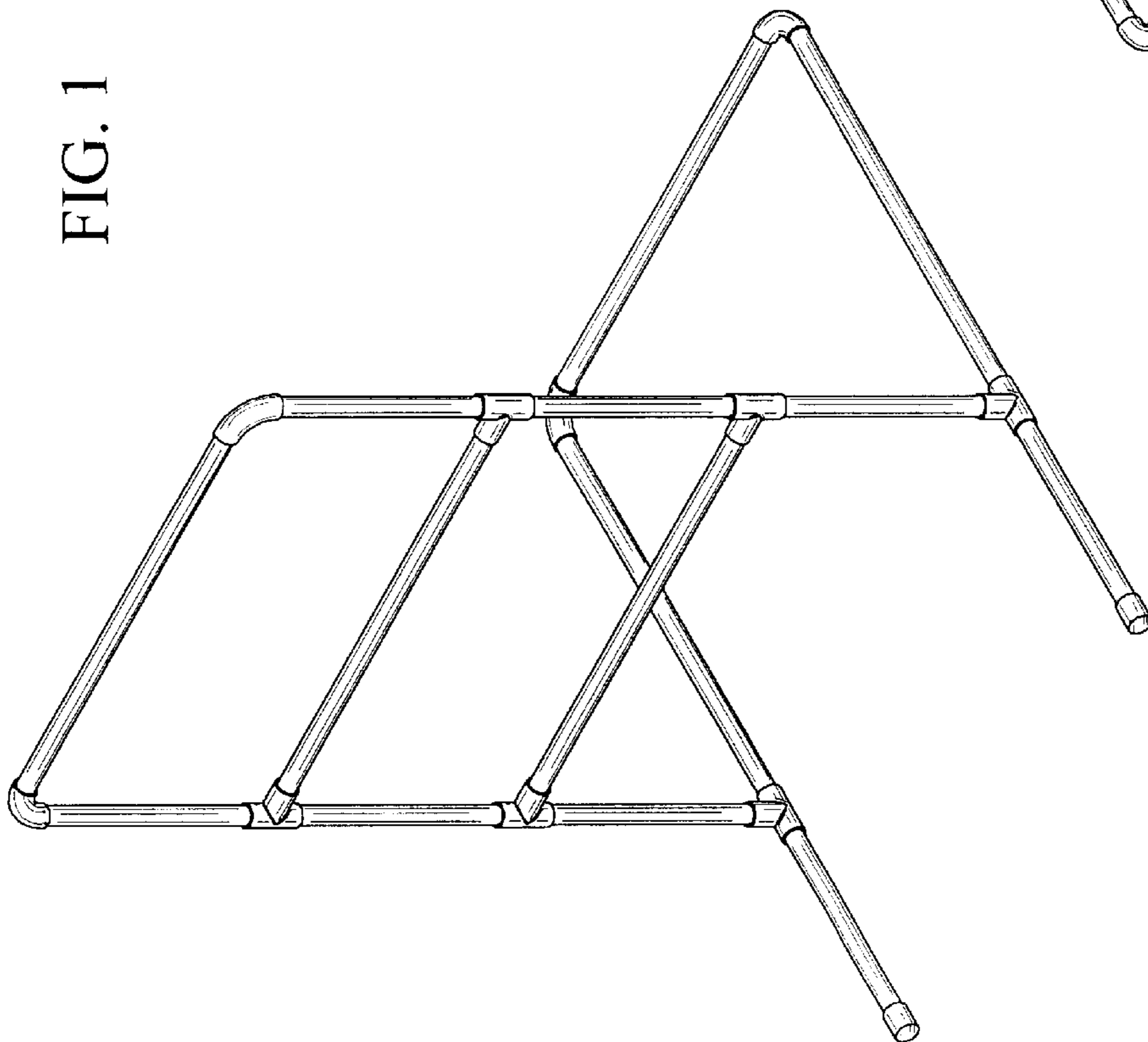


FIG. 4

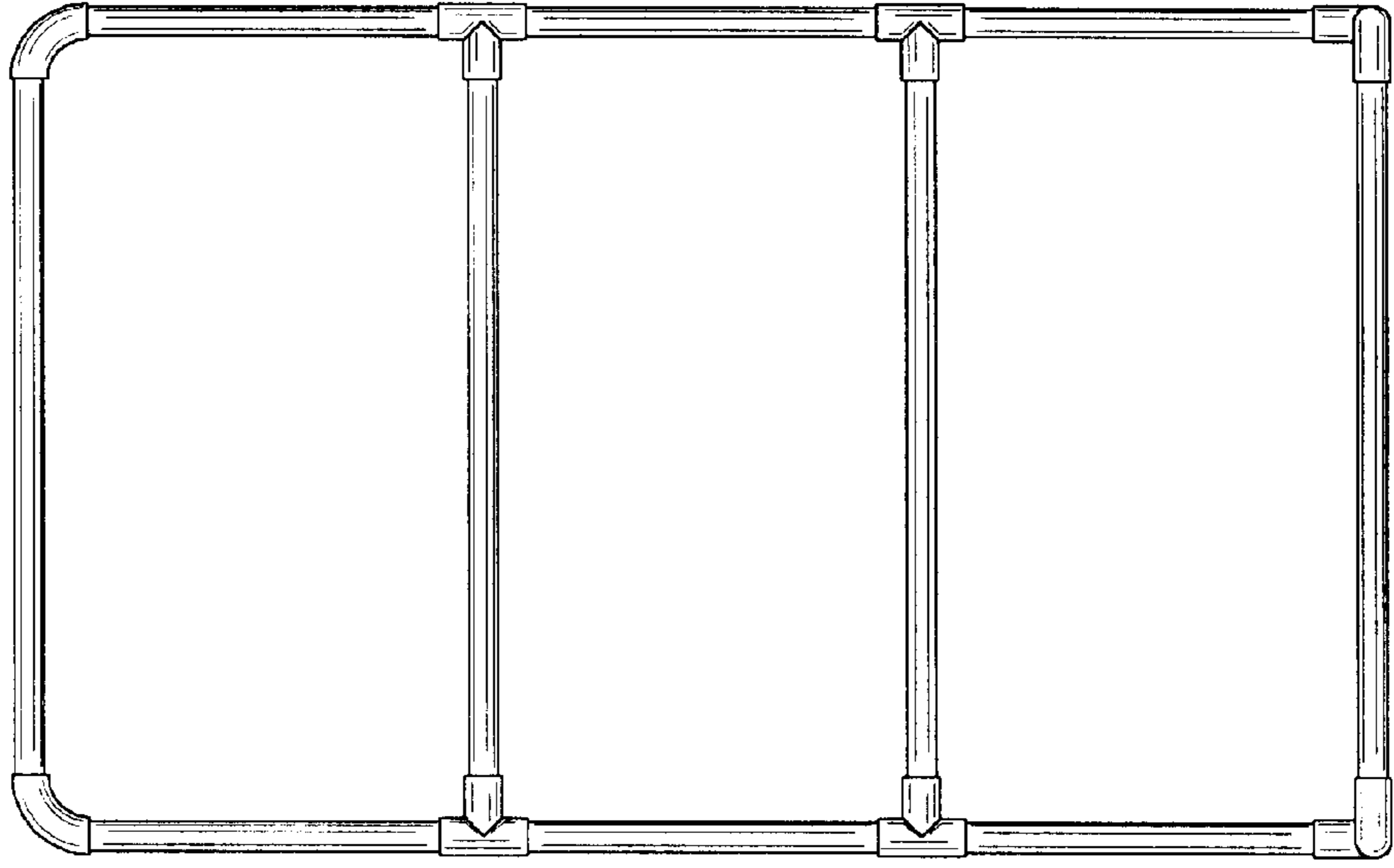


FIG. 3

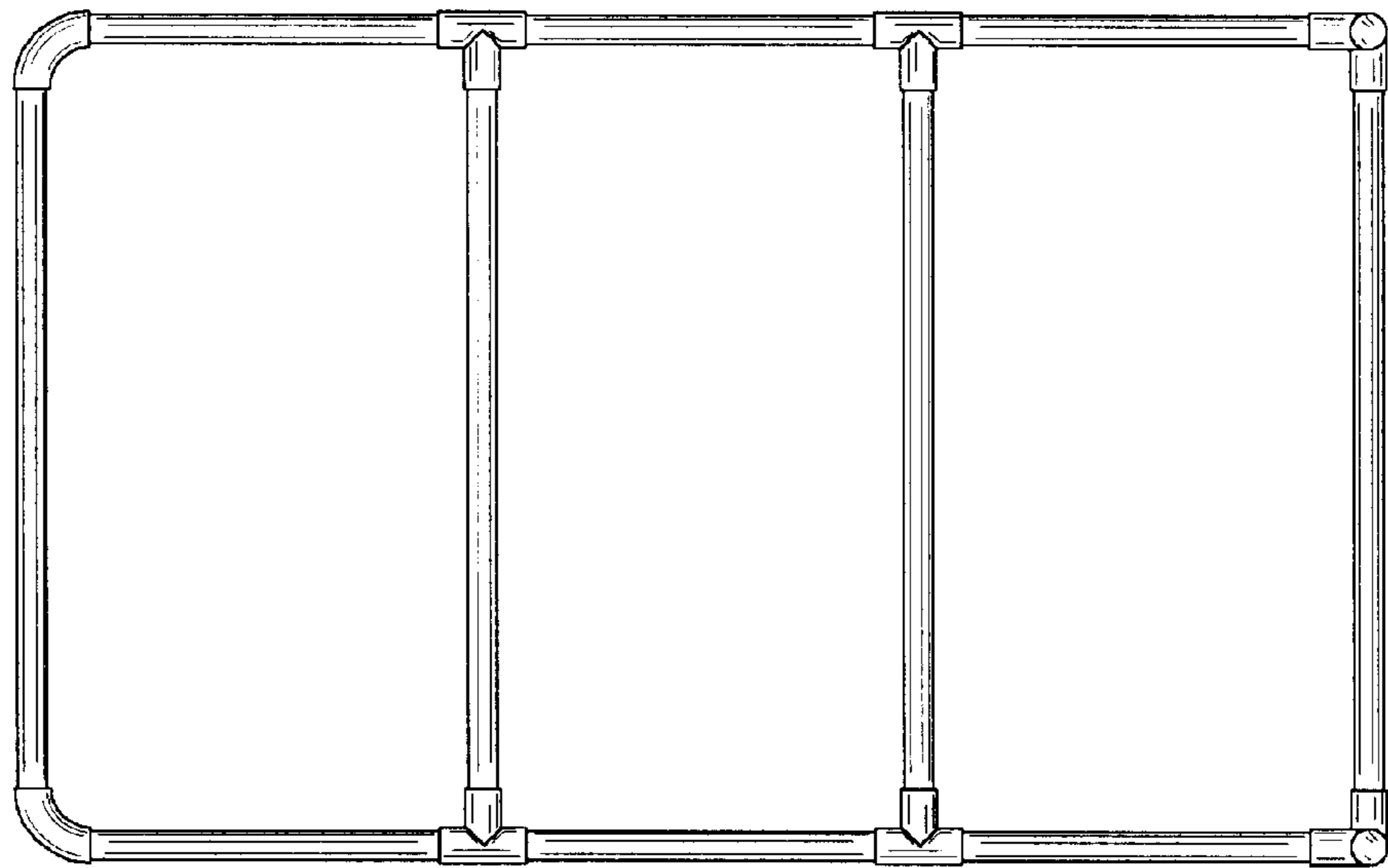


FIG. 6

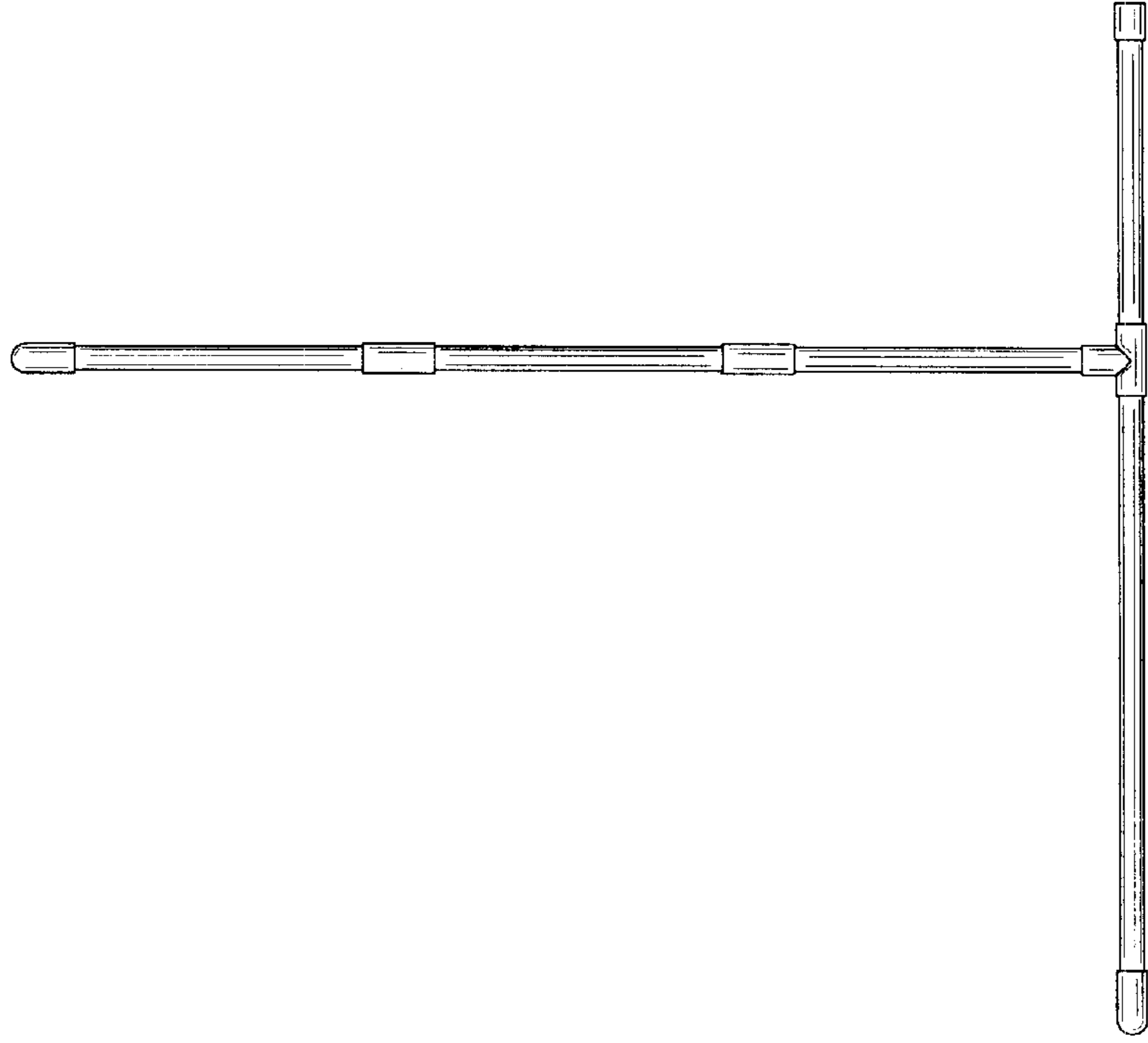


FIG. 5

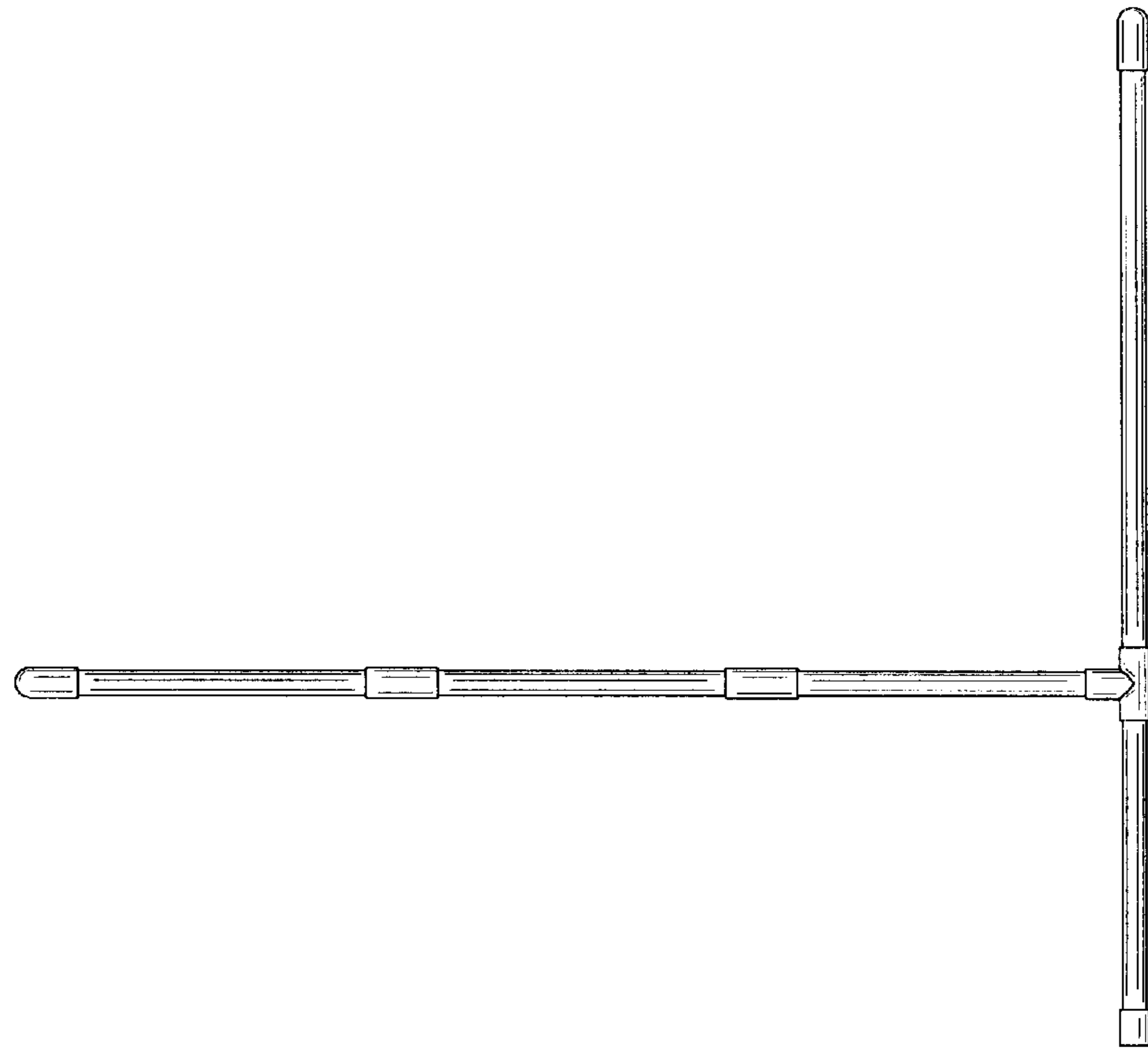


FIG. 8

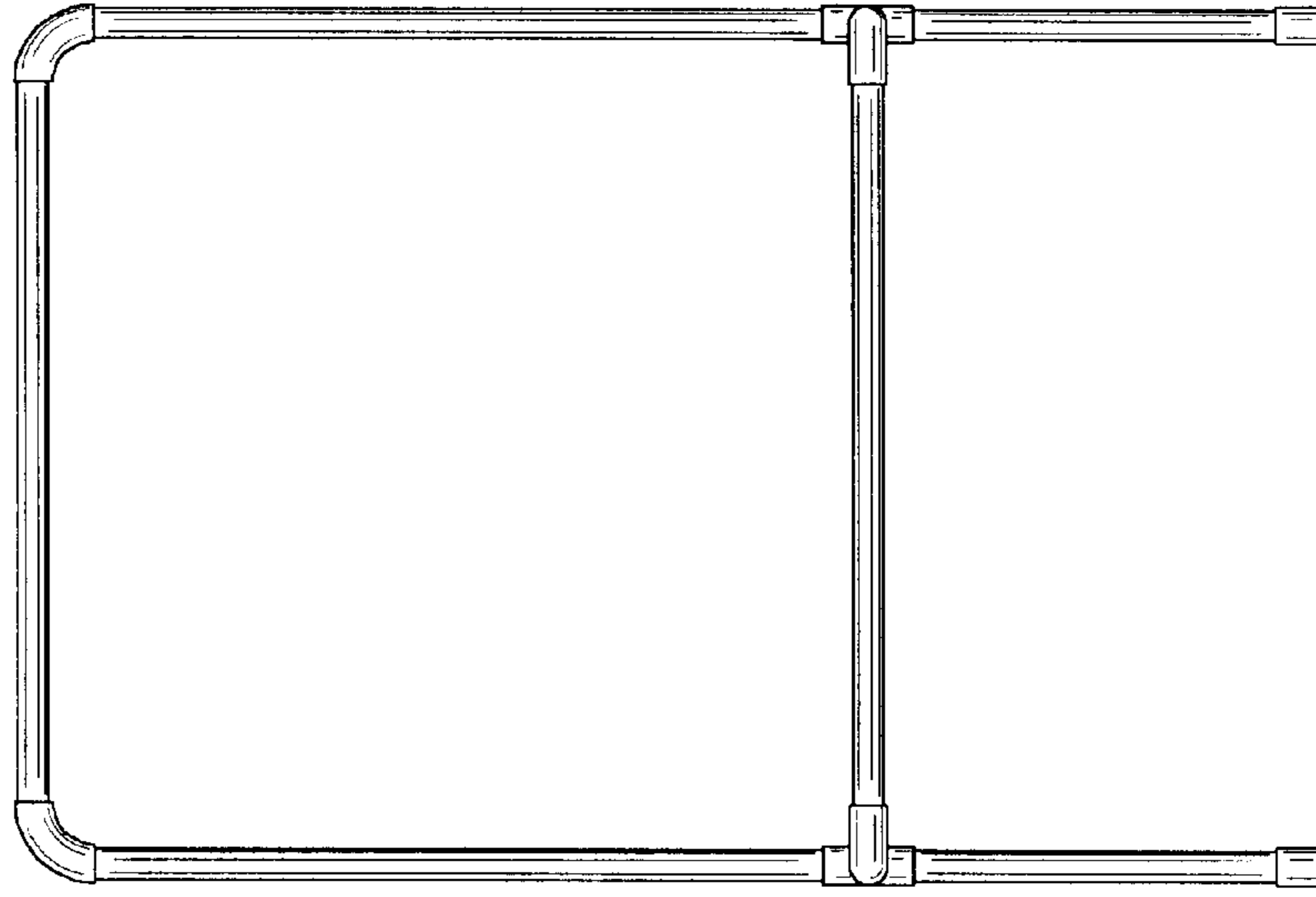


FIG. 7

