



US00D478935S

(12) **United States Design Patent**
Gearhart et al.

(10) **Patent No.: US D478,935 S**

(45) **Date of Patent: ** Aug. 26, 2003**

(54) **SELECTIVELY ILLUMINATABLE MESSAGE COMMUNICATOR FOR ATTACHING TO UNDERCARRIAGE OF VEHICLE OR TRACTOR TRAILER UNIT**

(76) Inventors: **Thomas D. Gearhart**, 36 Carolyn Dr., Roanoke, VA (US) 24019; **Kevin E. Baker**, 313 Darby Rd., Troutville, VA (US) 24175

(**) Term: **14 Years**

(21) Appl. No.: **29/172,587**

(22) Filed: **Dec. 16, 2002**

(51) **LOC (7) Cl. 20-03**

(52) **U.S. Cl. D20/10; D12/162; D20/42**

(58) **Field of Search D20/10, 12-13, D20/17, 19, 35, 39, 41-42, 99; D12/400, 406, 162; D26/31, 34; 40/204-5, 209, 541-2, 544, 564, 584, 590-1, 611.1, 618; 340/468-479**

(56) **References Cited**

U.S. PATENT DOCUMENTS

D54,445 S	*	2/1920	Mullvain	D26/30
1,487,548 A	*	3/1924	Esters	40/205
D64,555 S	*	4/1924	Pecar	D26/31
D65,292 S	*	7/1924	Meyer	D26/31
1,520,257 A	*	12/1924	Morlan et al.	362/546
D67,747 S	*	7/1925	De Velasco	D28/30
D69,410 S	*	2/1926	Ritz Woller	D26/31
2,057,249 A	*	10/1936	Rioux	362/497
D121,762 S	*	8/1940	Fischer	D26/31
2,314,326 A	*	3/1943	Cadwallader	362/497
D153,543 S	*	4/1949	Oyler	D26/29
3,226,707 A		12/1965	Newman et al.		
4,361,828 A		11/1982	Hose		
4,574,269 A		3/1986	Miller		
4,631,516 A		12/1986	Clinker		
4,800,471 A	*	1/1989	Lippert	362/485

4,928,084 A		5/1990	Reiser		
D313,661 S	*	1/1991	Kang	D26/31
4,995,186 A		2/1991	Collie		
5,005,306 A		4/1991	Kinstler		
D349,517 S		8/1994	Neff		
D394,881 S	*	6/1998	Patel	D20/10
D429,766 S	*	8/2000	Elmer	D20/10
D446,818 S	*	8/2001	Kim	D20/10
D471,137 S	*	3/2003	Shepherd et al.	D12/162
6,553,697 B1	*	4/2003	Pichan	40/591

* cited by examiner

Primary Examiner—Robert M. Spear

(74) *Attorney, Agent, or Firm*—Donald R. Schoonover

(57) **CLAIM**

We claim the ornamental design for a selectively illuminatable message communicator for attaching to undercarriage of vehicle or tractor trailer unit, as shown and described.

DESCRIPTION

FIG. 1 is a perspective view of a selectively illuminatable message communicator for attaching to undercarriage of vehicle or tractor trailer unit showing our new design;

FIG. 2 is a front elevational view thereof;

FIG. 3 is a rear elevational view thereof;

FIG. 4 is a left side elevational view thereof, the right side elevational view being a mirror image thereof;

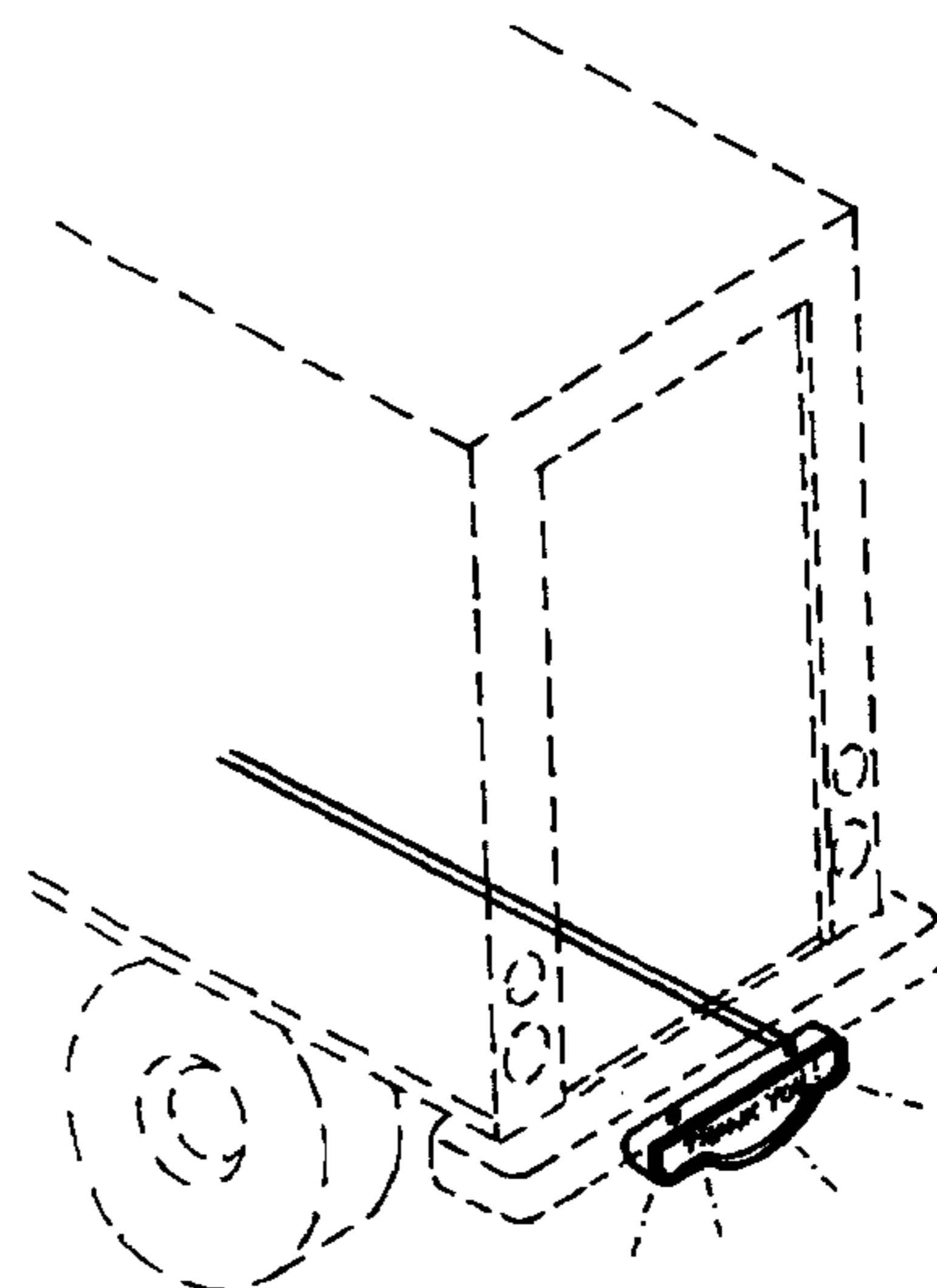
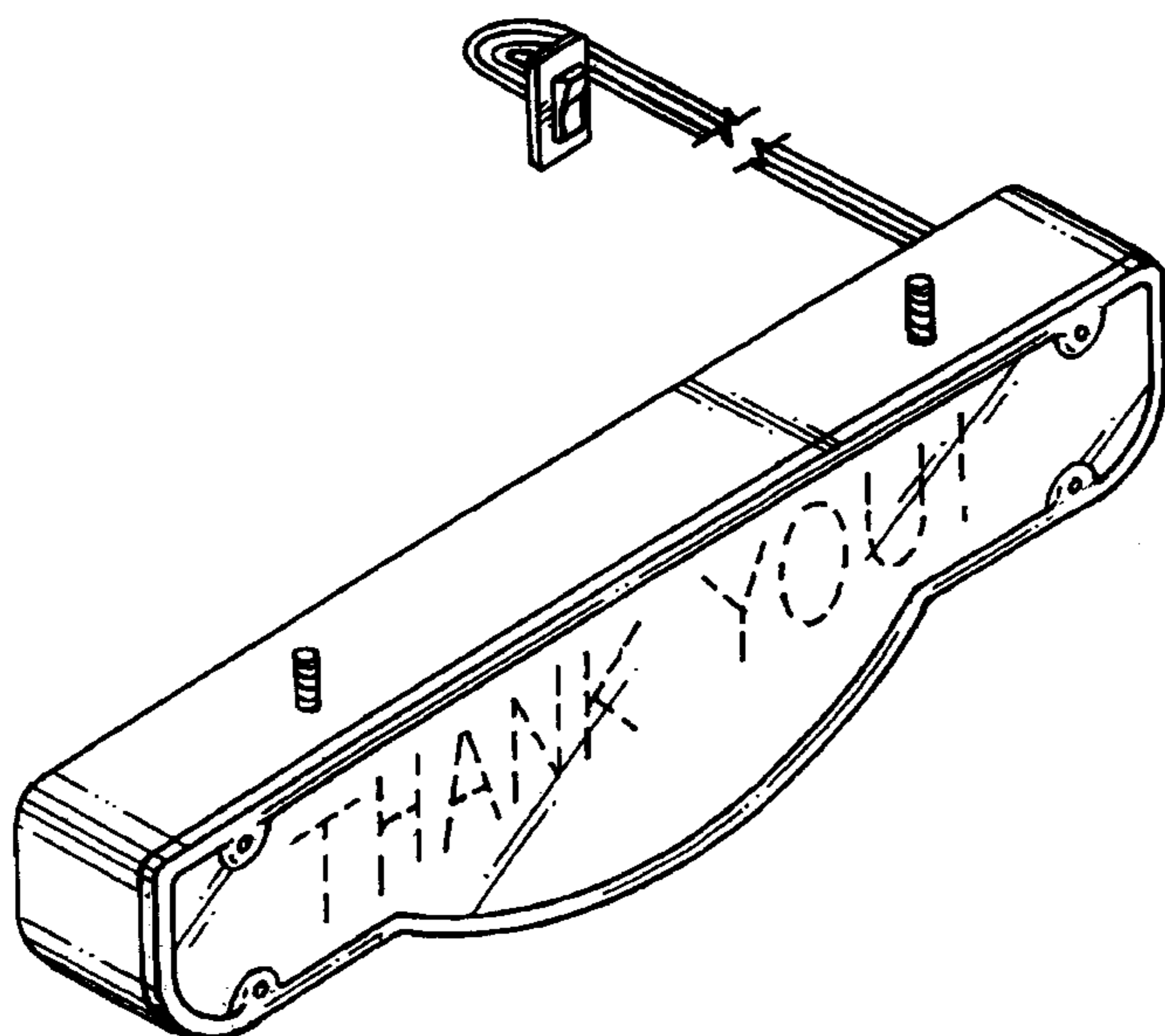
FIG. 5 is a top plan view thereof;

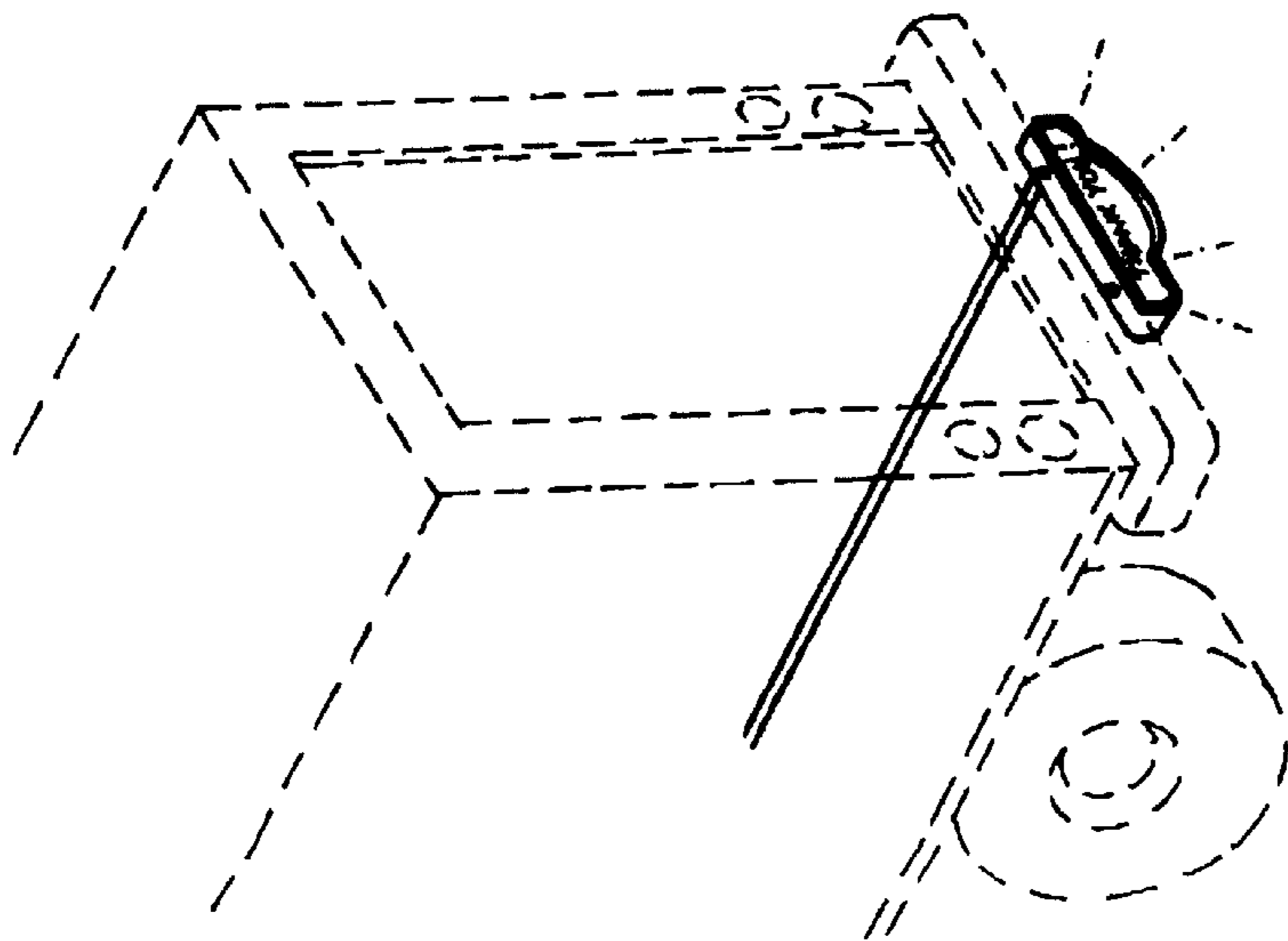
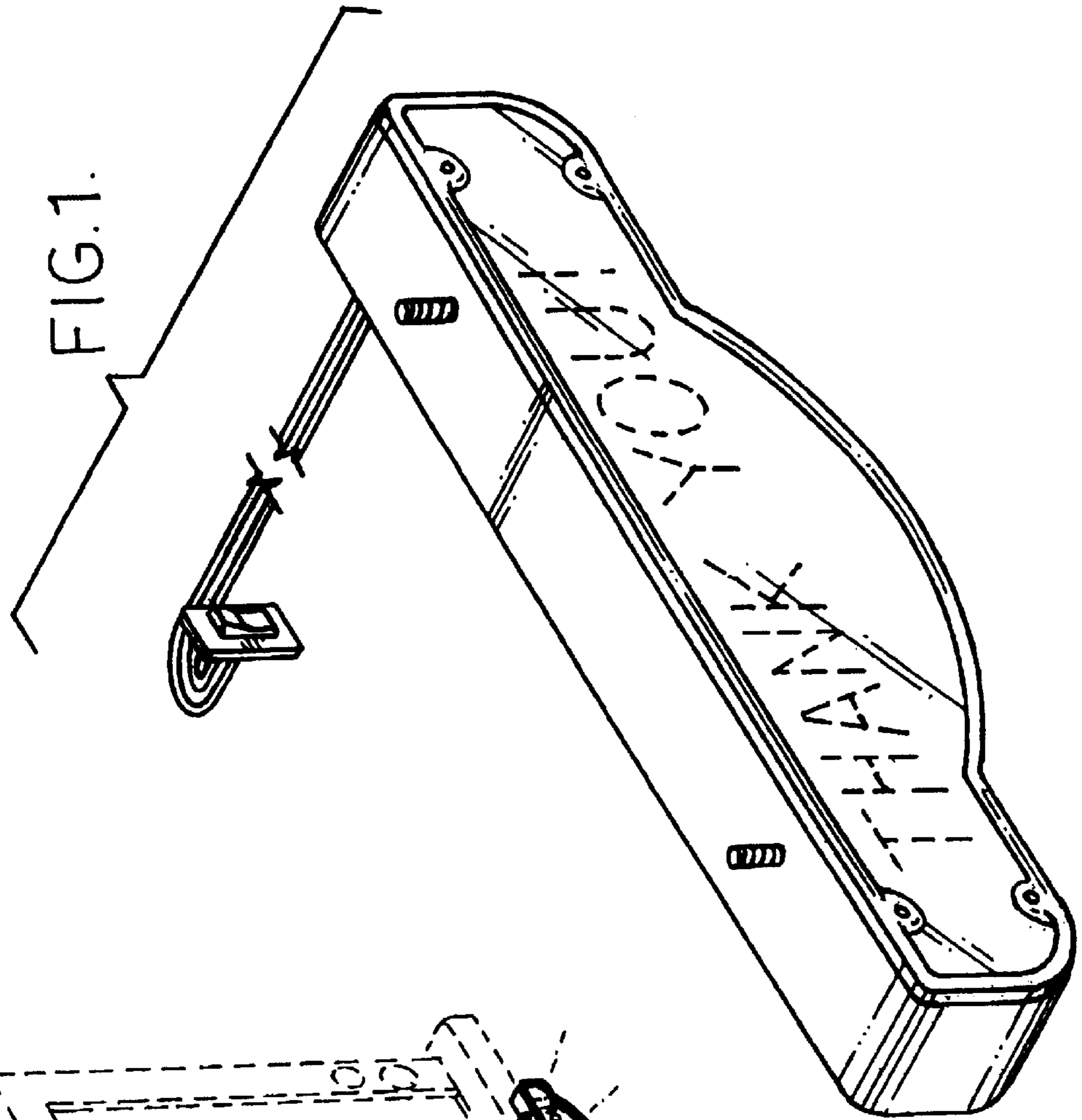
FIG. 6 is a bottom plan view thereof; and,

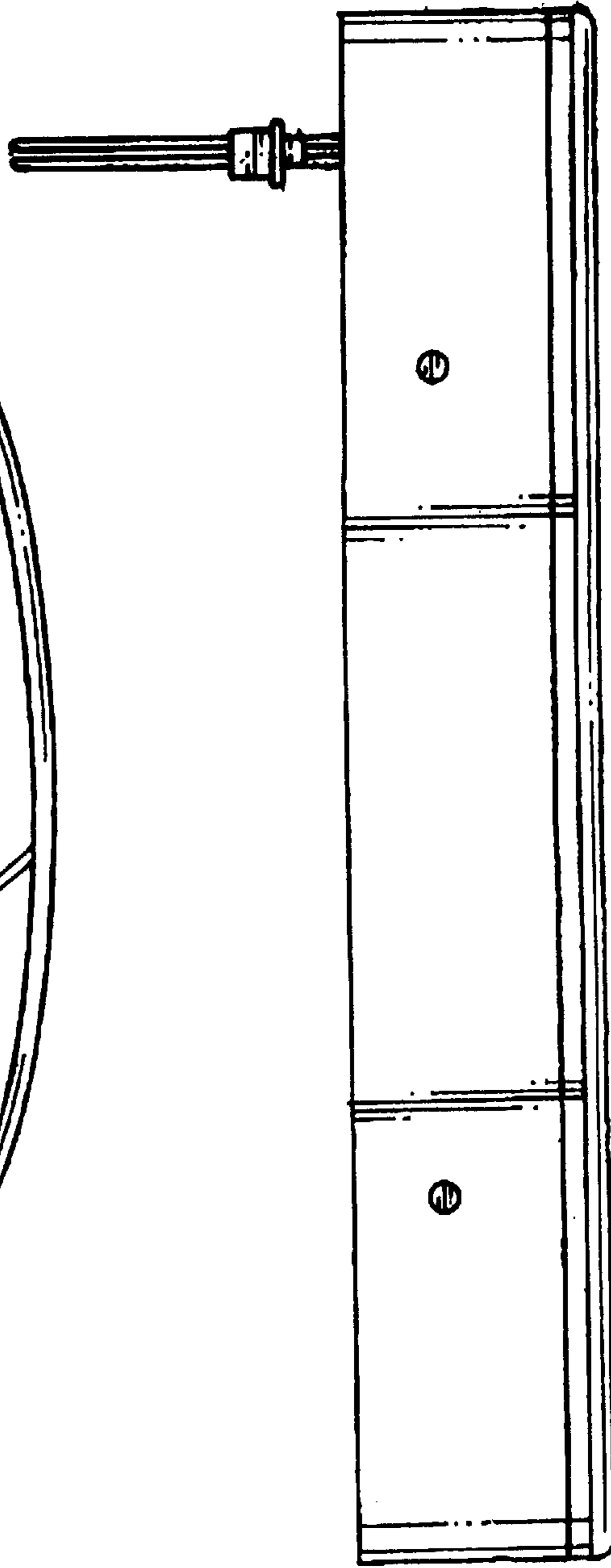
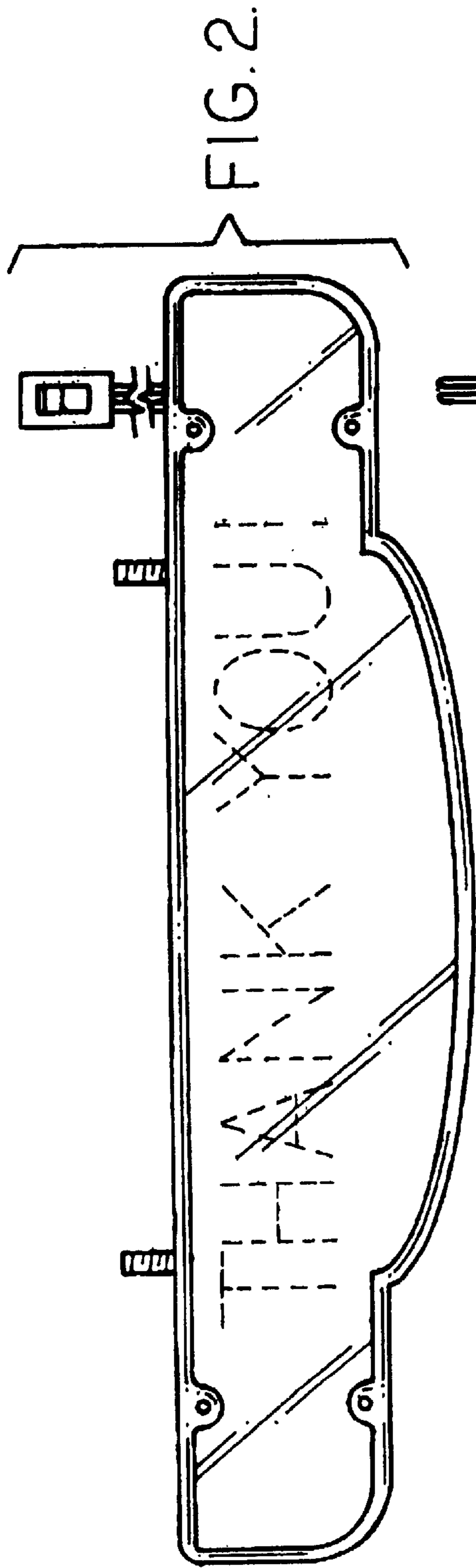
FIG. 7 is a reduced fragmentary perspective view showing the selectively illuminatable message communicator for attaching to undercarriage of vehicle or tractor trailer unit in use;

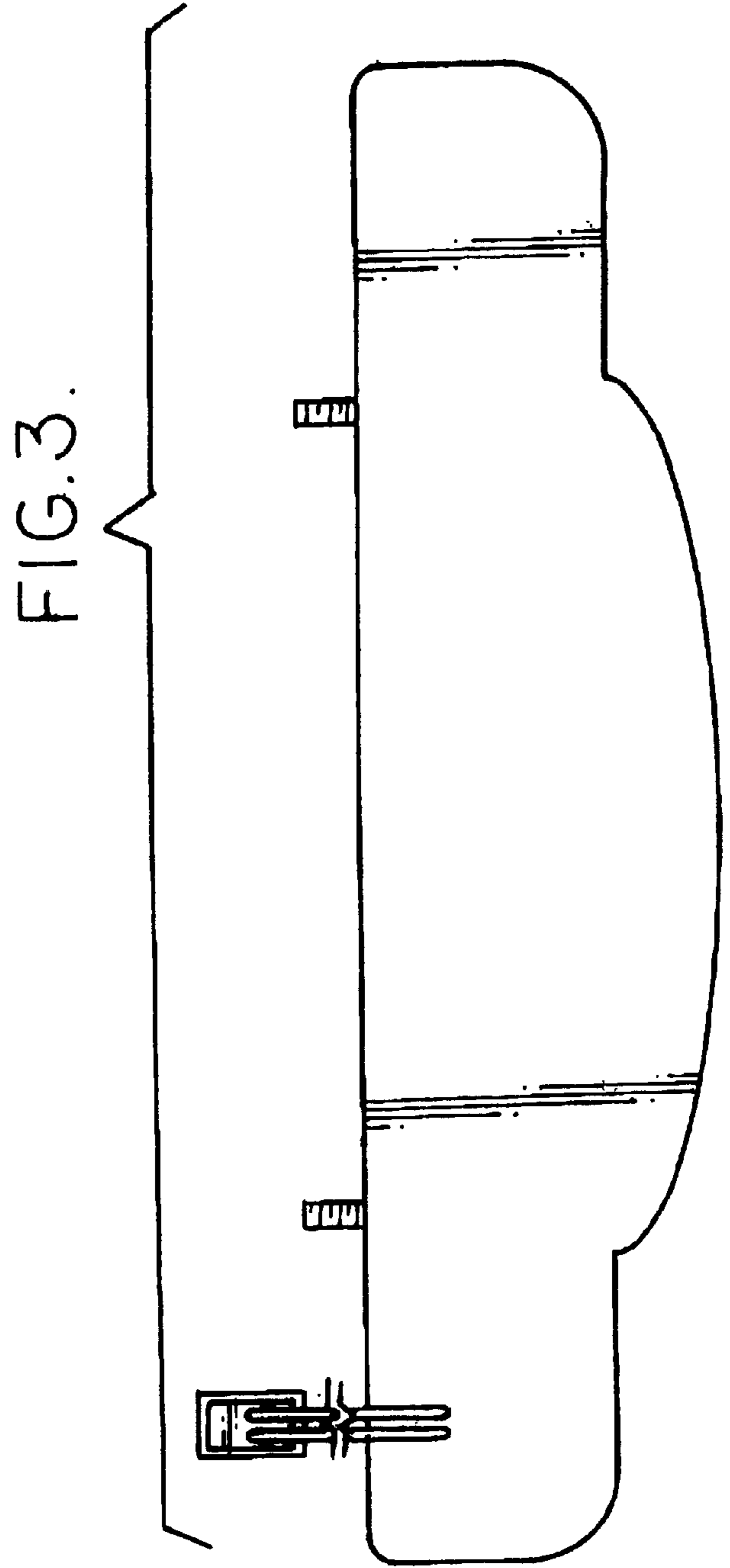
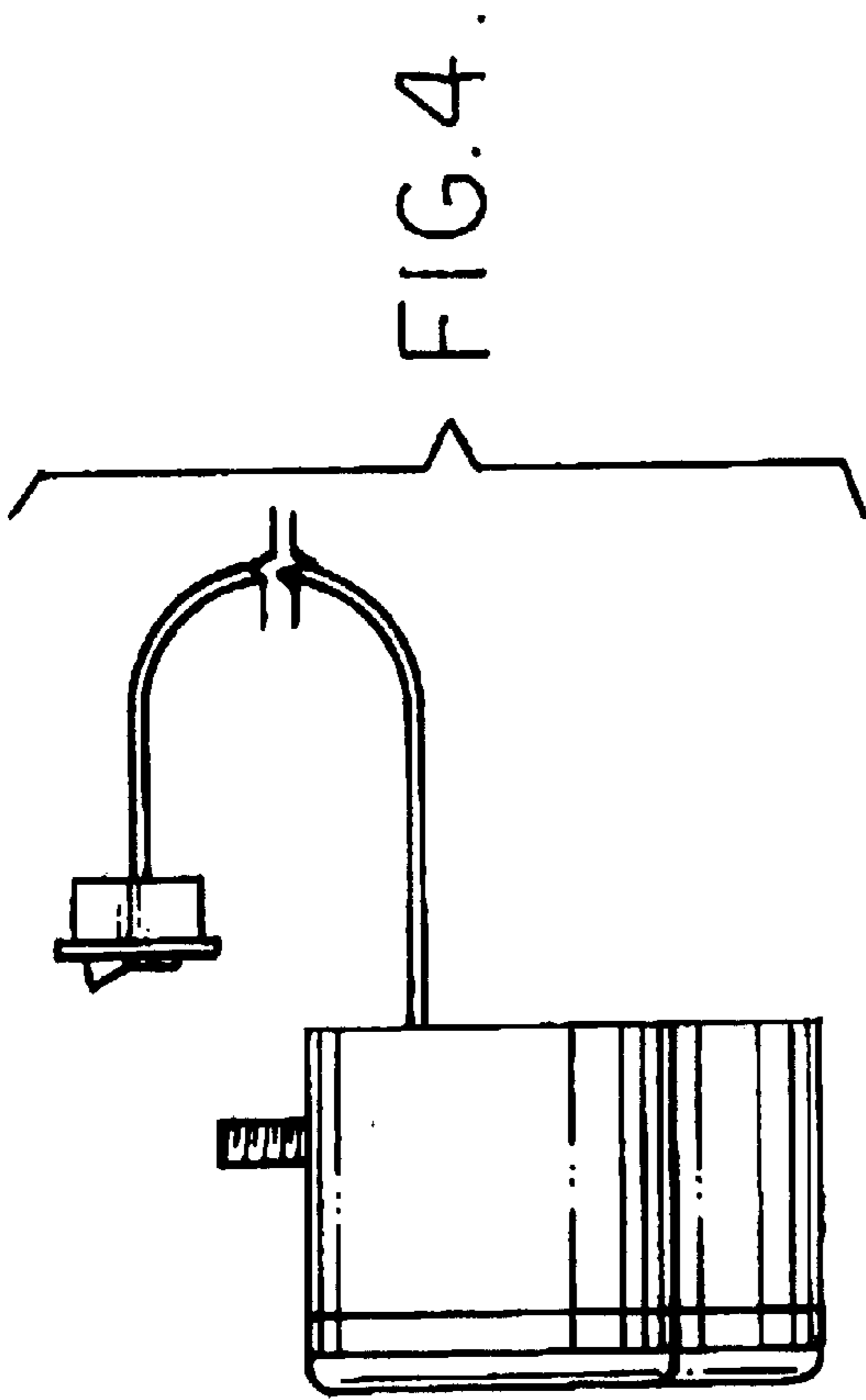
FIG. 7 is a reduced fragmentary perspective view showing the selectively illuminatable message communicator for attaching to undercarriage of vehicle or tractor trailer unit in use.

1 Claim, 4 Drawing Sheets









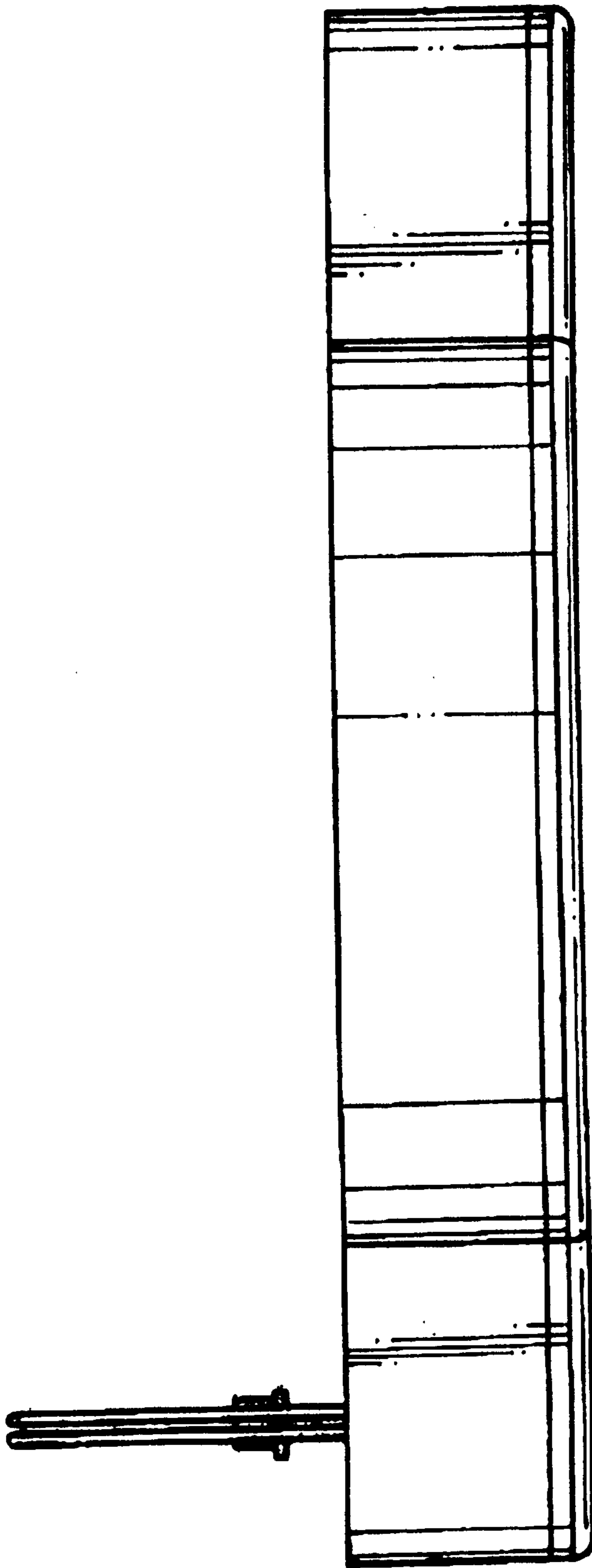


FIG.6.