



US00D478925S

(12) **United States Design Patent**
Owada

(10) **Patent No.:** **US D478,925 S**

(45) **Date of Patent:** **** Aug. 26, 2003**

(54) **DIGITAL CAMERA**

D471,220 S * 3/2003 Hamamura D16/202

(75) Inventor: **Masahito Owada**, Yokohama (JP)

* cited by examiner

(73) Assignee: **Canon Kabushiki Kaisha**, Tokyo (JP)

Primary Examiner—Adir Aronovich

(**) Term: **14 Years**

(74) *Attorney, Agent, or Firm*—Fitzpatrick, Cella, Harper & Scinto

(21) Appl. No.: **29/165,488**

(57) **CLAIM**

(22) Filed: **Aug. 13, 2002**

The ornamental design for a digital camera, as shown and described.

(30) **Foreign Application Priority Data**

DESCRIPTION

Feb. 20, 2002 (JP) 2002-004214

(51) **LOC (7) Cl.** **16-01**

FIG. 1 is a front view of a digital camera showing my new design;

(52) **U.S. Cl.** **D16/219; D16/202**

FIG. 2 is a rear view thereof;

(58) **Field of Search** D16/136, 200,
D16/201-205, 208, 209, 218, 219; 348/373-376;
358/909.1; 396/535-541

FIG. 3 is a top plan view thereof;

FIG. 4 is a bottom plan view thereof;

FIG. 5 is a left side view thereof;

FIG. 6 is a right side view thereof; and,

FIG. 7 is a perspective view thereof.

(56) **References Cited**

The portions of the digital camera in broken lines are shown for illustrative purposes only and form no part of the claimed design.

U.S. PATENT DOCUMENTS

The chain link lines define the bounds of the claimed design but form no part thereof.

- D341,614 S * 11/1993 Okamoto D16/200
- D352,949 S * 11/1994 Kondo D16/202
- D384,088 S * 9/1997 Isozaki et al. D16/202
- D456,435 S 4/2002 Hisatomi et al. D16/202
- D457,542 S * 5/2002 Peterson D16/136

1 Claim, 4 Drawing Sheets

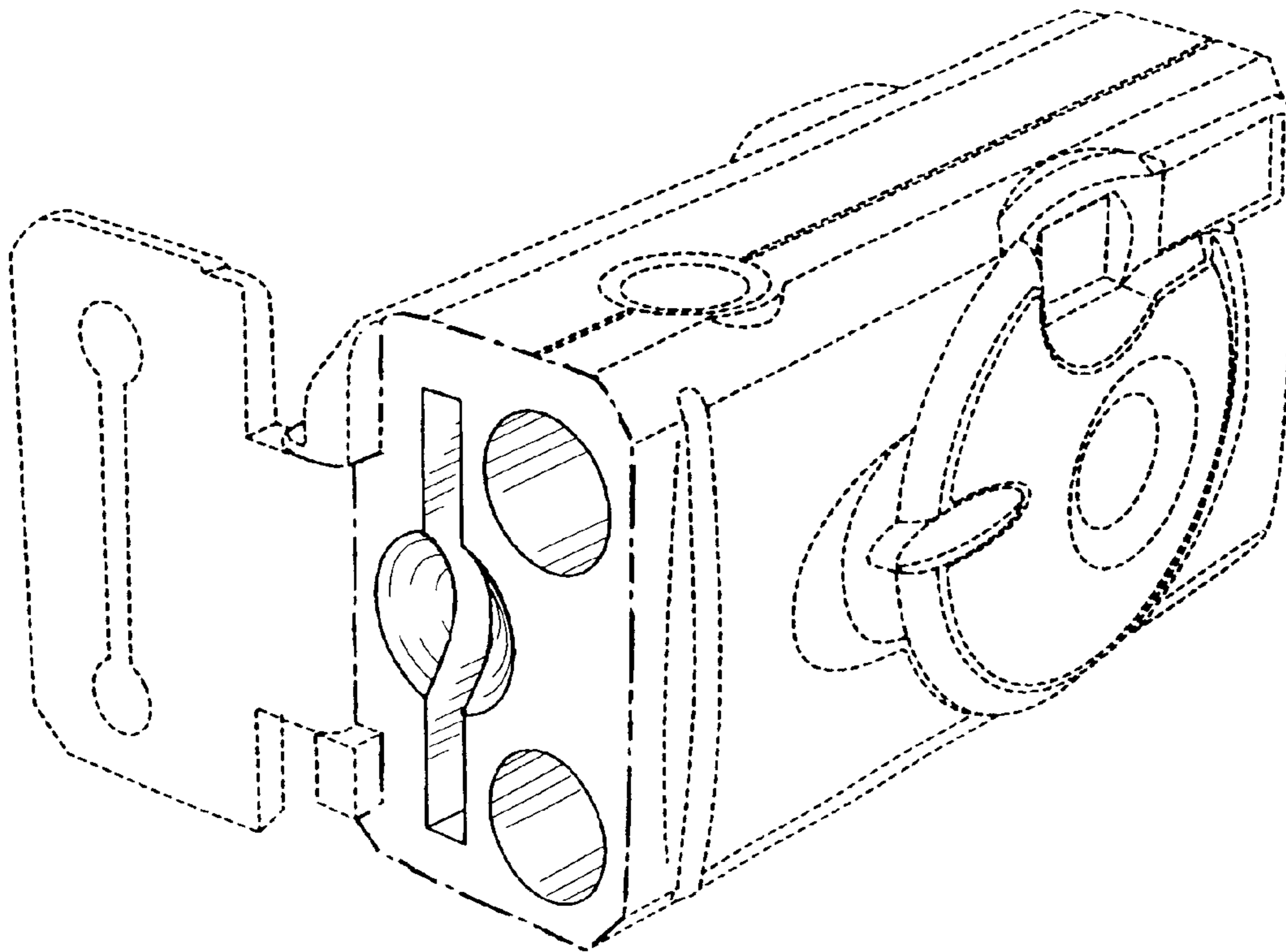


FIG. 1

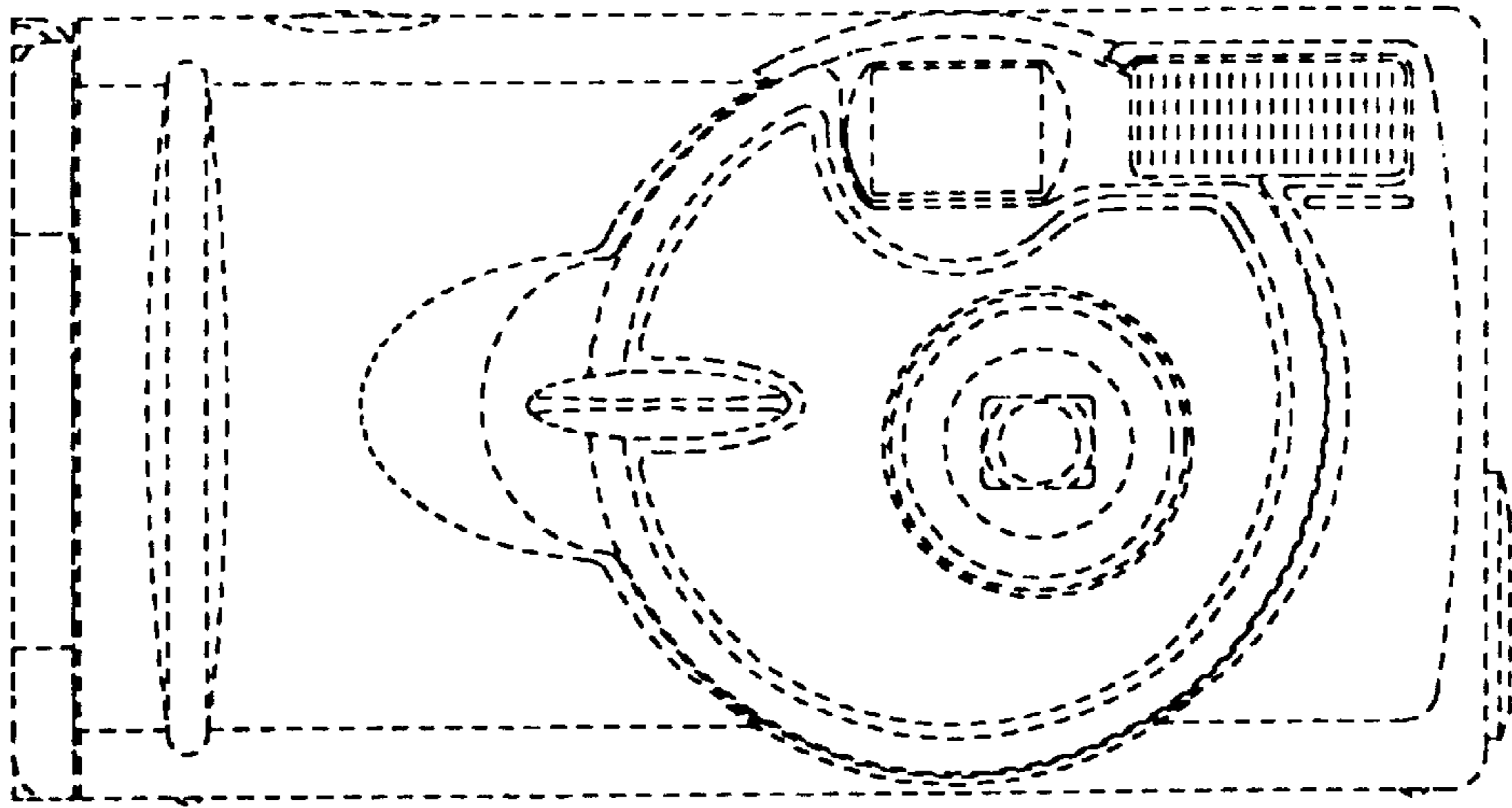


FIG. 2

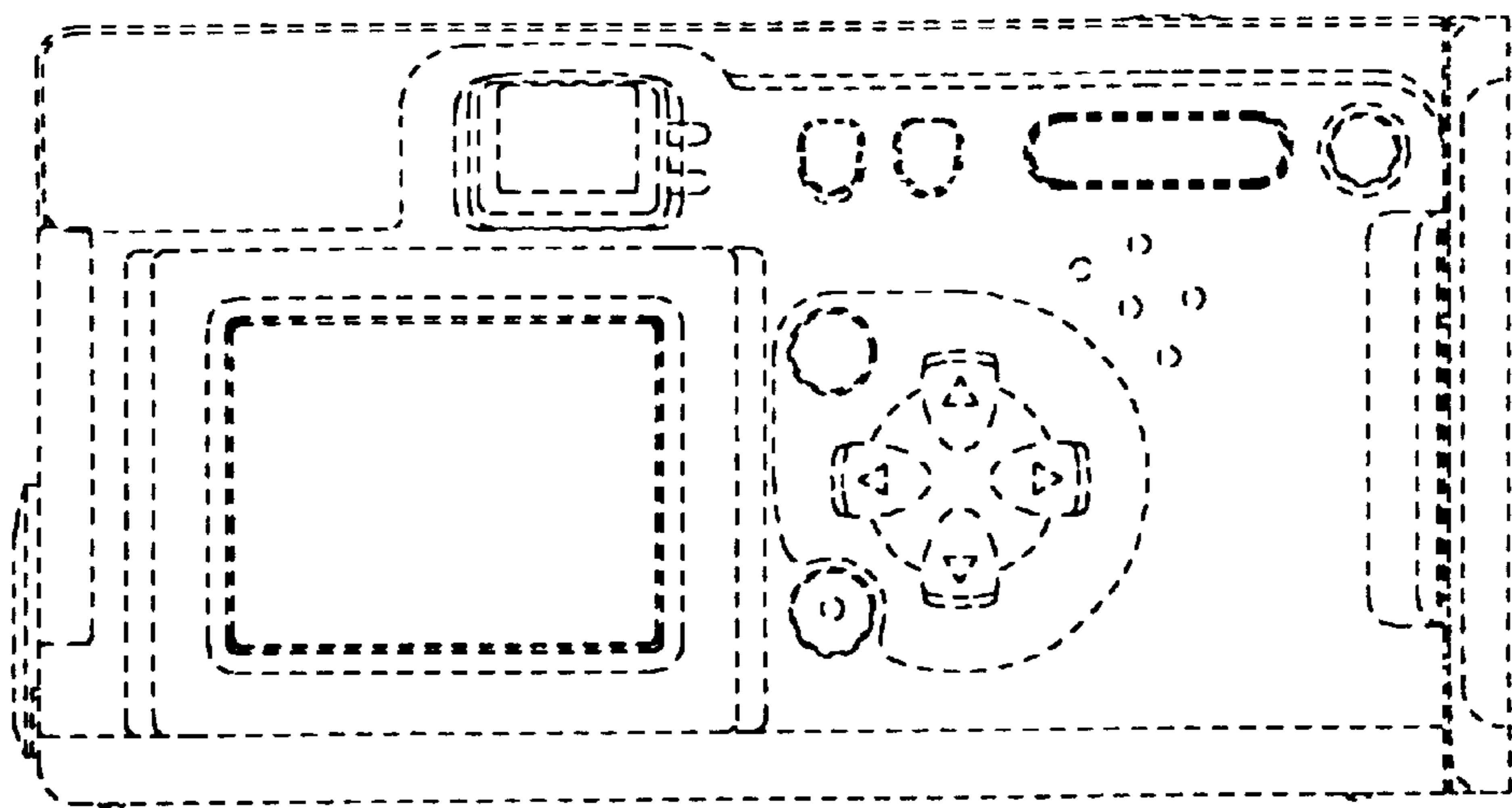


FIG. 3

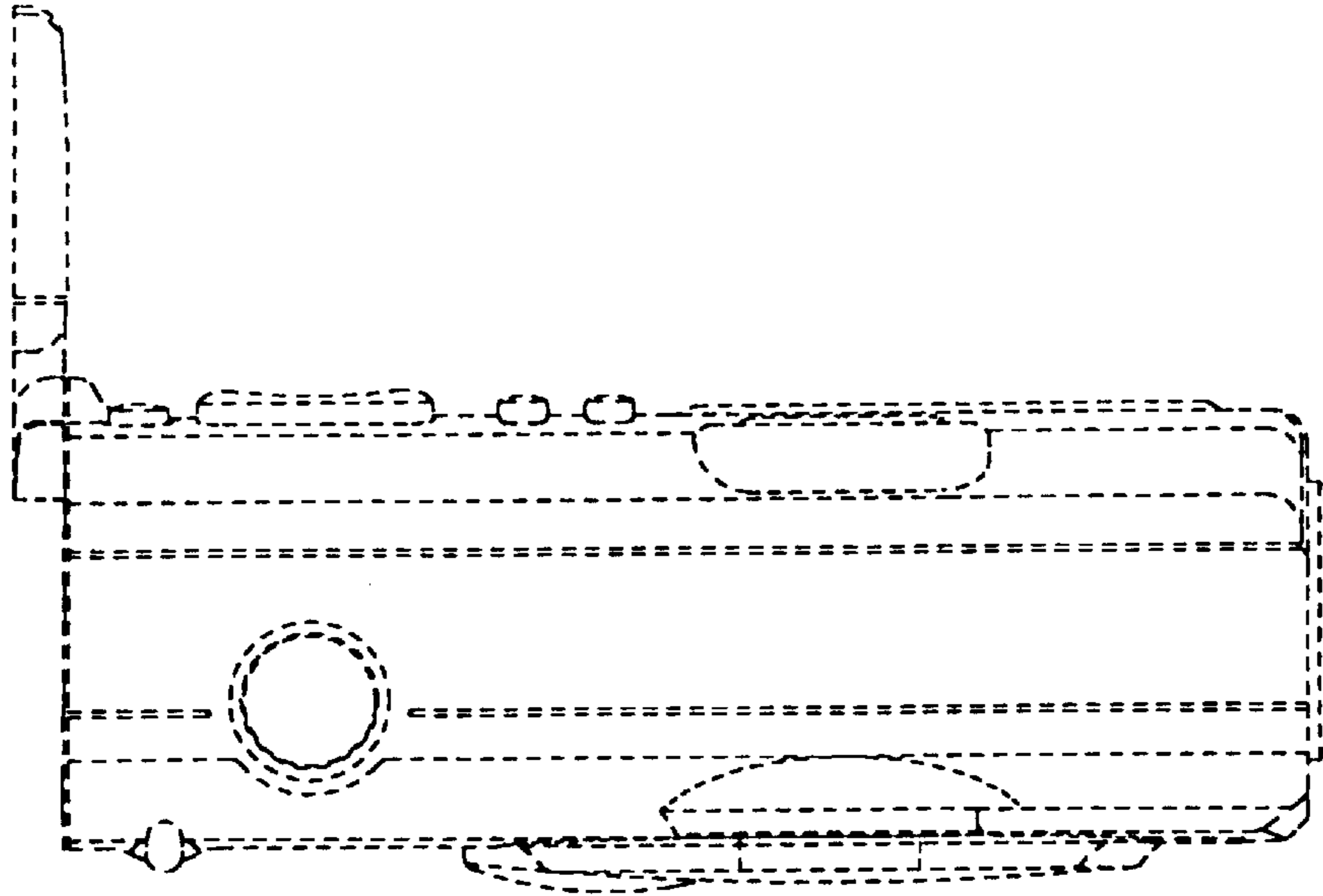


FIG. 4

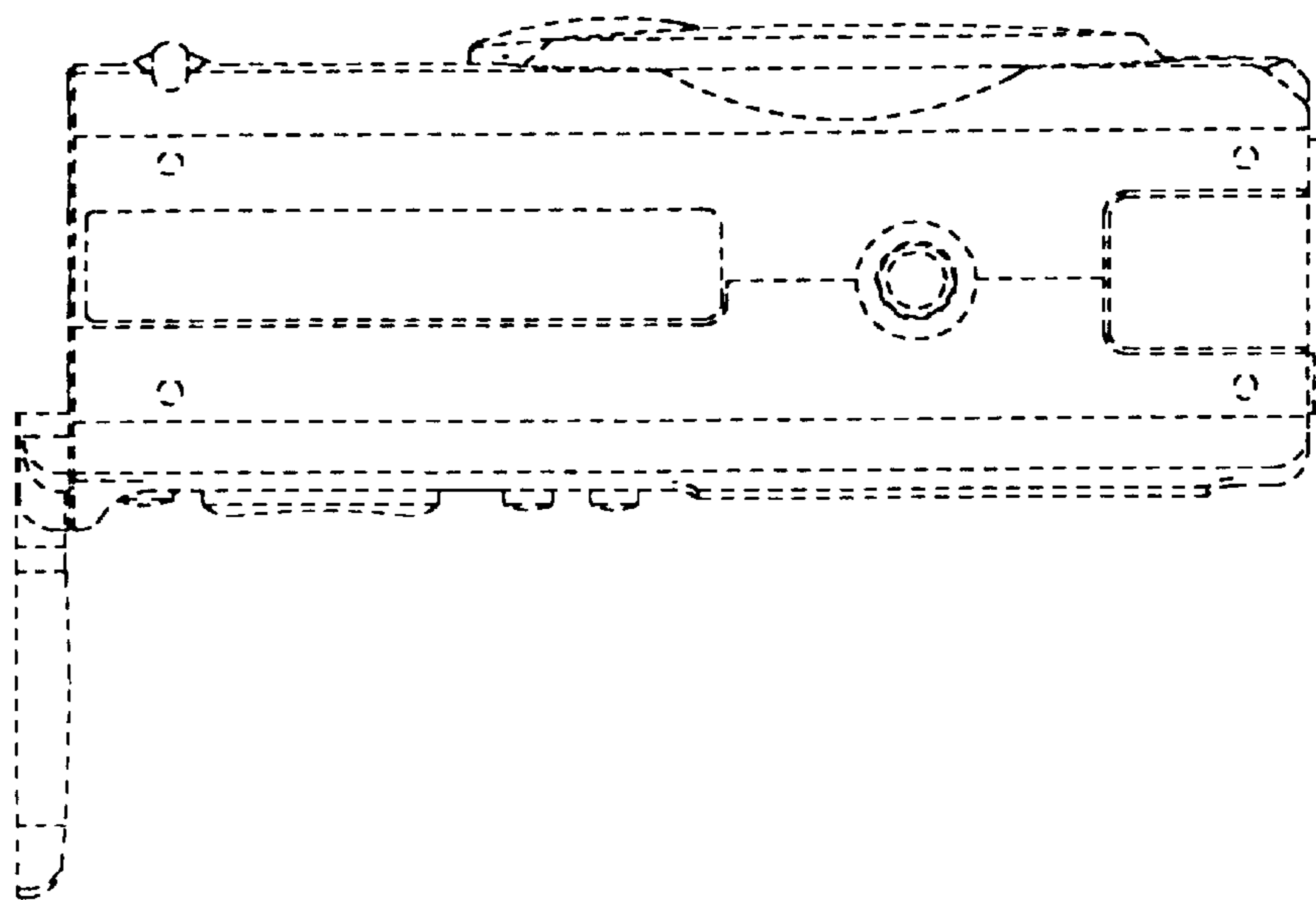


FIG. 5

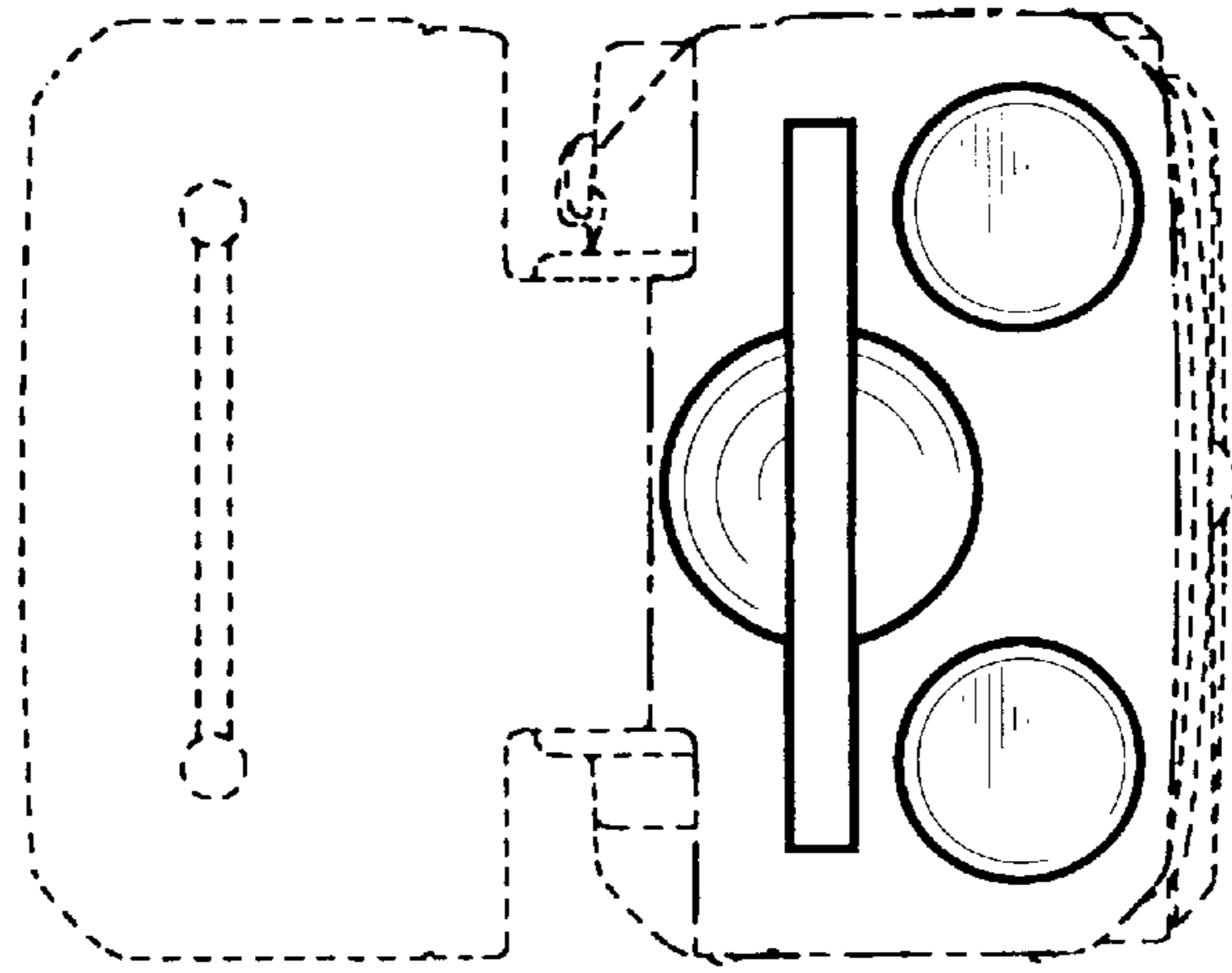


FIG. 6

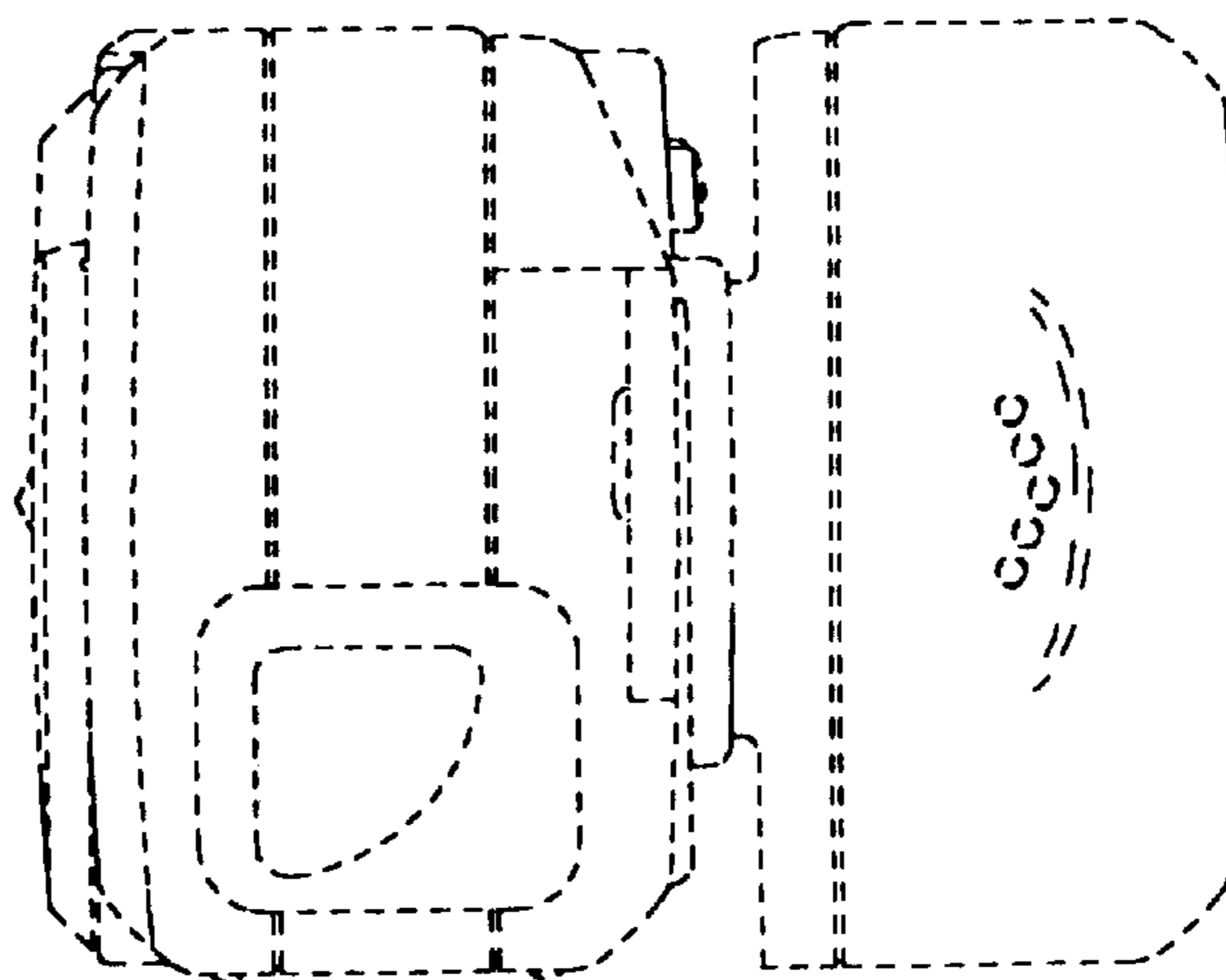


FIG. 7

