



US00D478924S

(12) **United States Design Patent**
Kibayashi

(10) **Patent No.:** **US D478,924 S**

(45) **Date of Patent:** **** Aug. 26, 2003**

(54) **CAMERA**

(75) Inventor: **Hiroshi Kibayashi, Hino (JP)**

(73) Assignee: **Konica Corporation, Tokyo (JP)**

(**) Term: **14 Years**

(21) Appl. No.: **29/168,483**

(22) Filed: **Oct. 3, 2002**

(30) **Foreign Application Priority Data**

May 15, 2002 (JP) 2002-012872

(51) **LOC (7) Cl.** **16-01**

(52) **U.S. Cl.** **D16/209; D16/218**

(58) **Field of Search** **D16/200-205,**
D16/208, 209, 218; 396/6, 7, 535-541

(56) **References Cited**

U.S. PATENT DOCUMENTS

5,862,414 A * 1/1999 Zawodny et al. 396/6
D427,619 S * 7/2000 Mizoguchi et al. D16/209
D430,889 S * 9/2000 Nihei D16/209

D447,501 S * 9/2001 Mizoguchi et al. D16/209
D462,372 S * 9/2002 Nihei D16/209
D462,977 S * 9/2002 Yamaguchi D16/209

* cited by examiner

Primary Examiner—Adir Aronovich

(74) *Attorney, Agent, or Firm*—Frishauf, Holtz, Goodman & Chick, P.C.

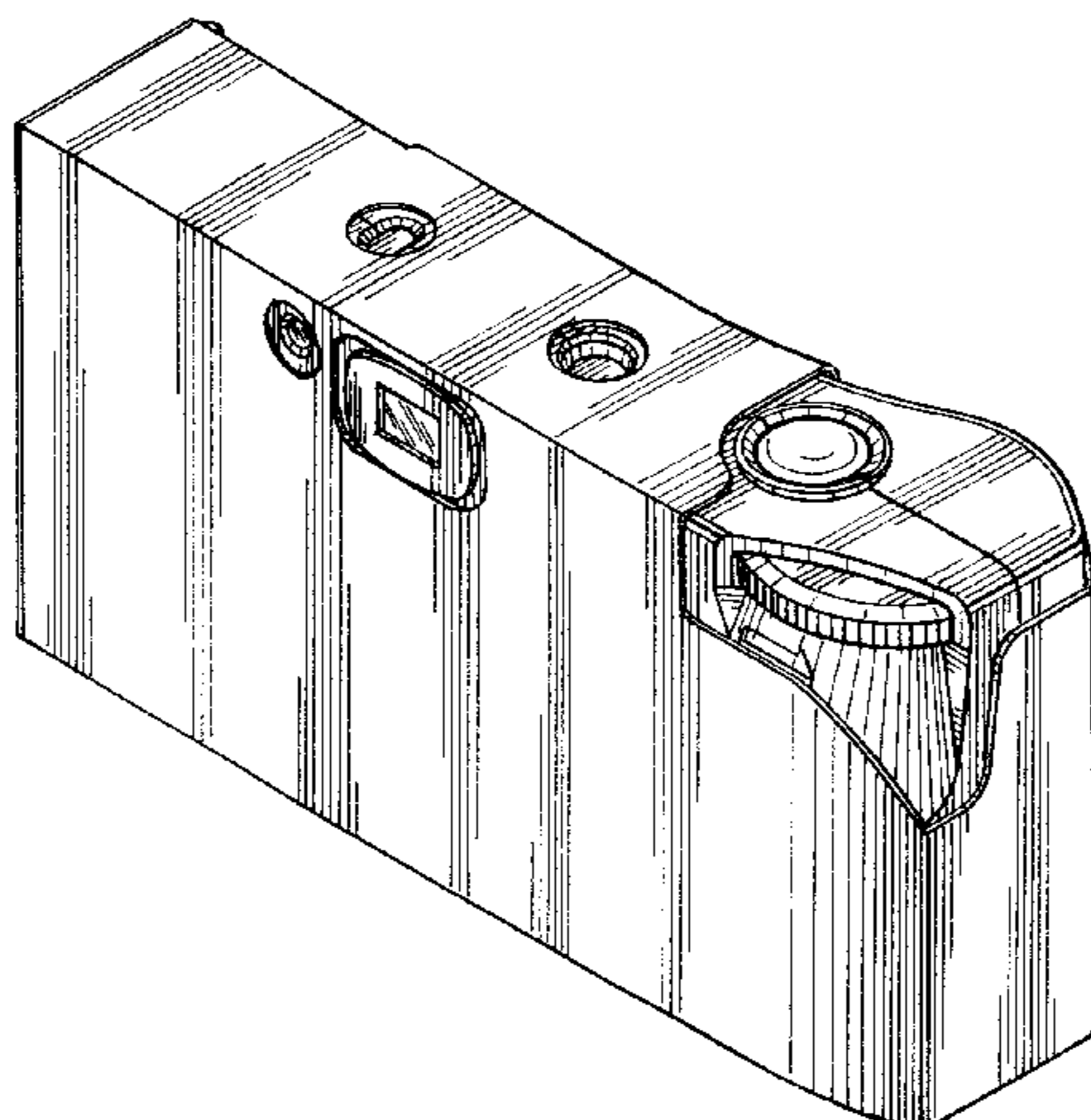
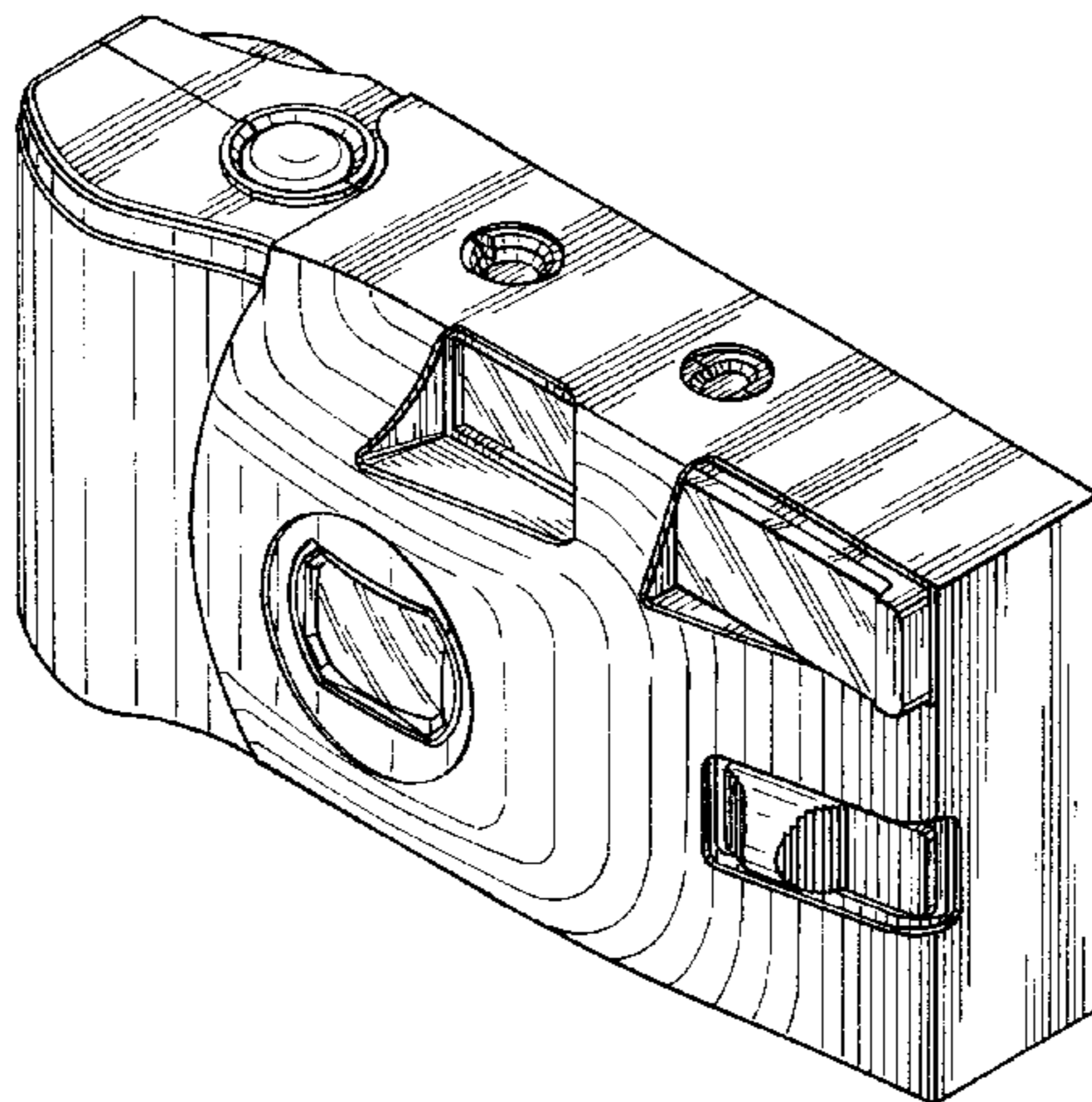
(57) **CLAIM**

The ornamental design for a camera, as shown.

DESCRIPTION

FIG. 1 is a front elevational view of a camera showing my new design;
FIG. 2 is a rear elevational view thereof;
FIG. 3 is a top plan view thereof;
FIG. 4 is a bottom plan view thereof;
FIG. 5 is a right side elevational view thereof;
FIG. 6 is a left side elevational view thereof;
FIG. 7 is a front, top, right side perspective view thereof;
and,
FIG. 8 is a rear, top, left side perspective view thereof.

1 Claim, 2 Drawing Sheets



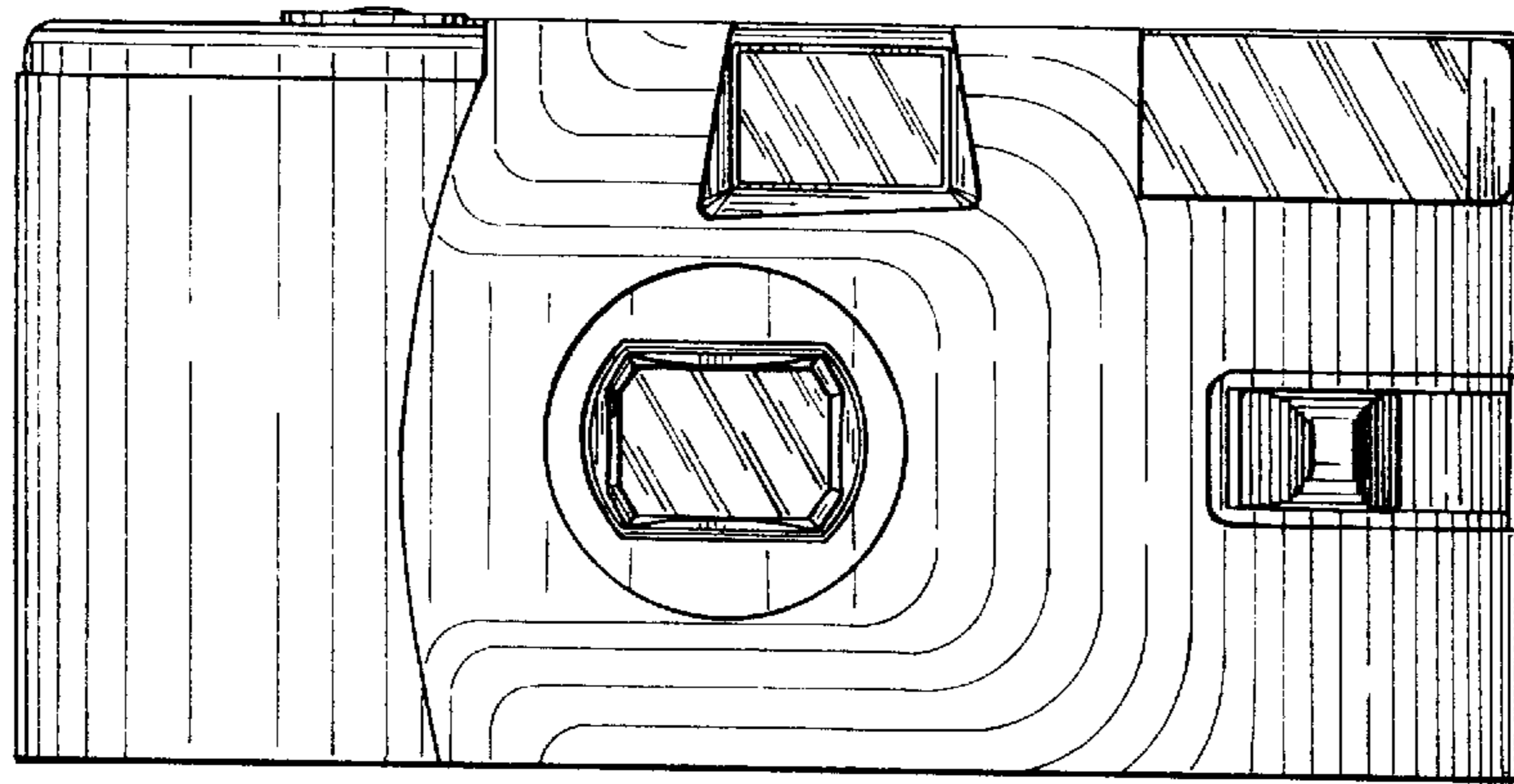


Fig. 1

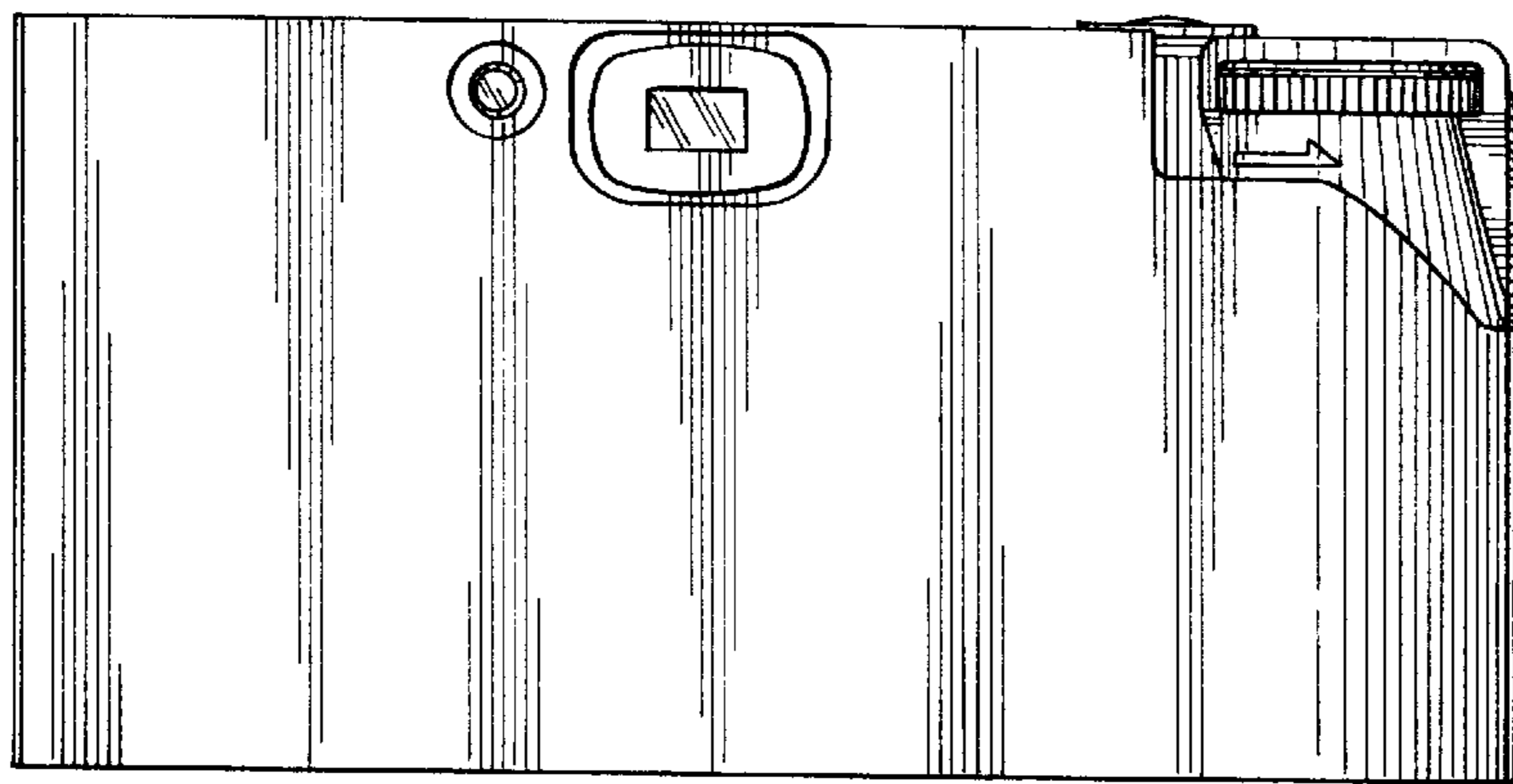


Fig. 2

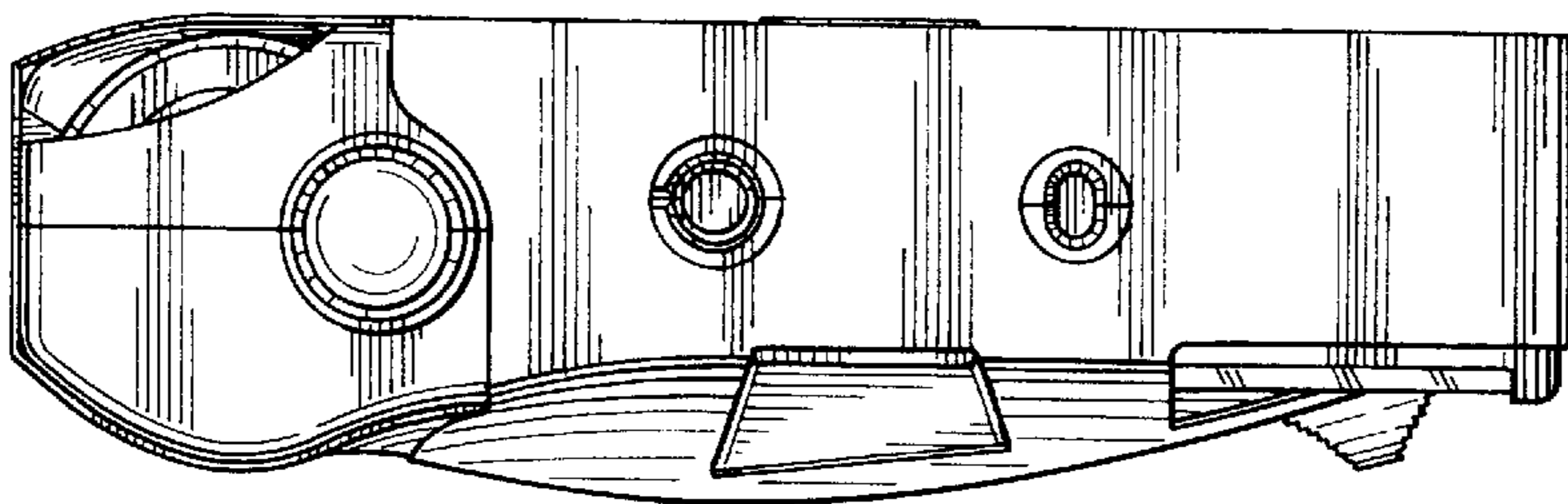


Fig. 3

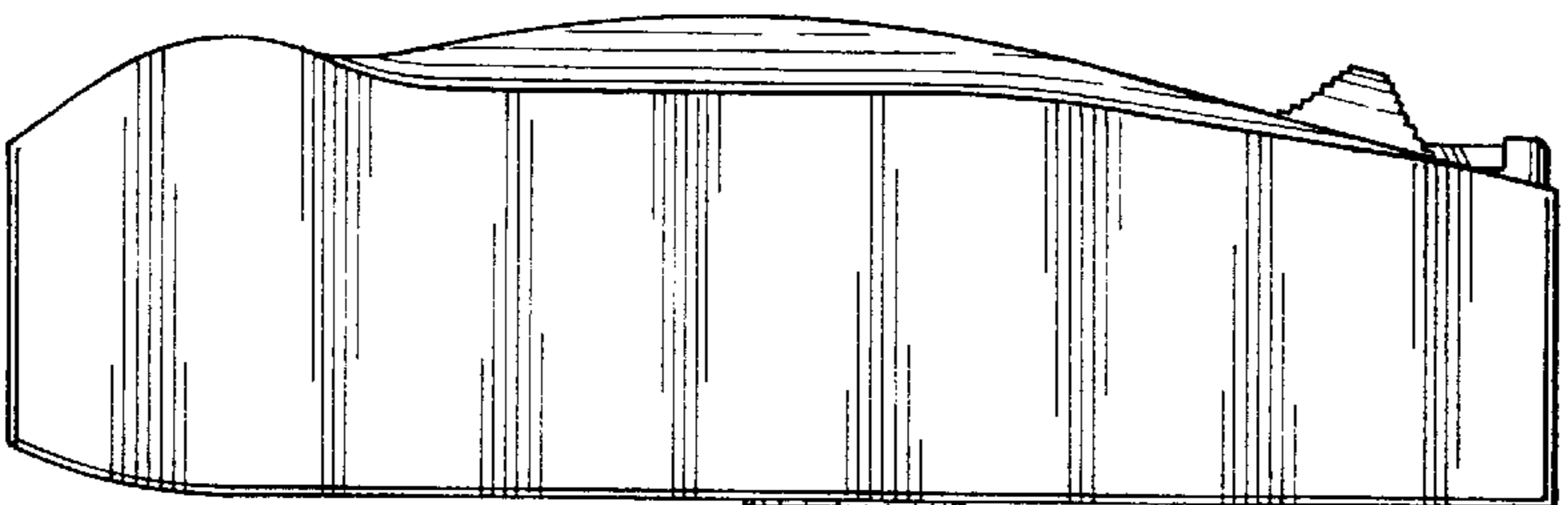


Fig. 4

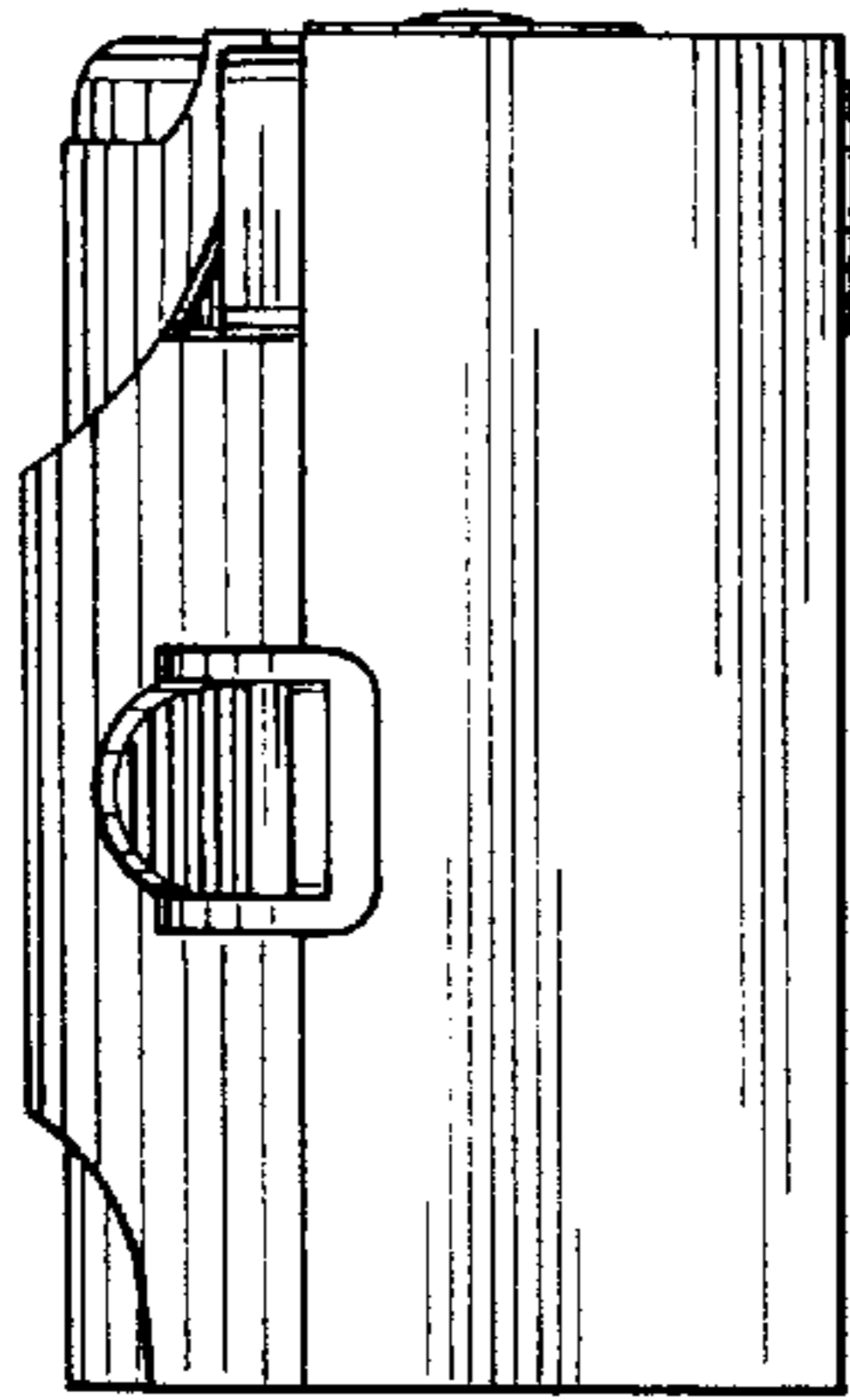


Fig. 5

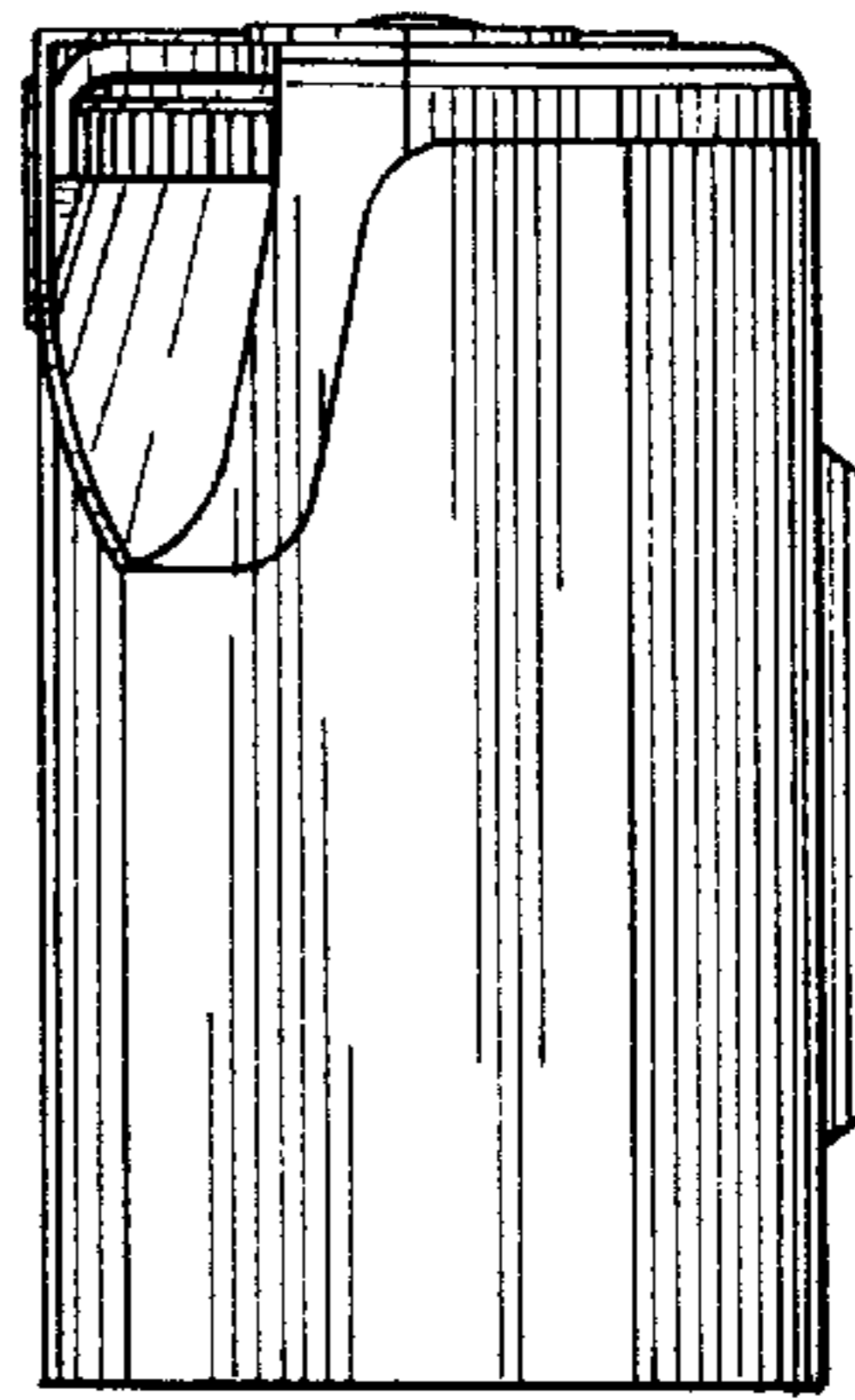


Fig. 6

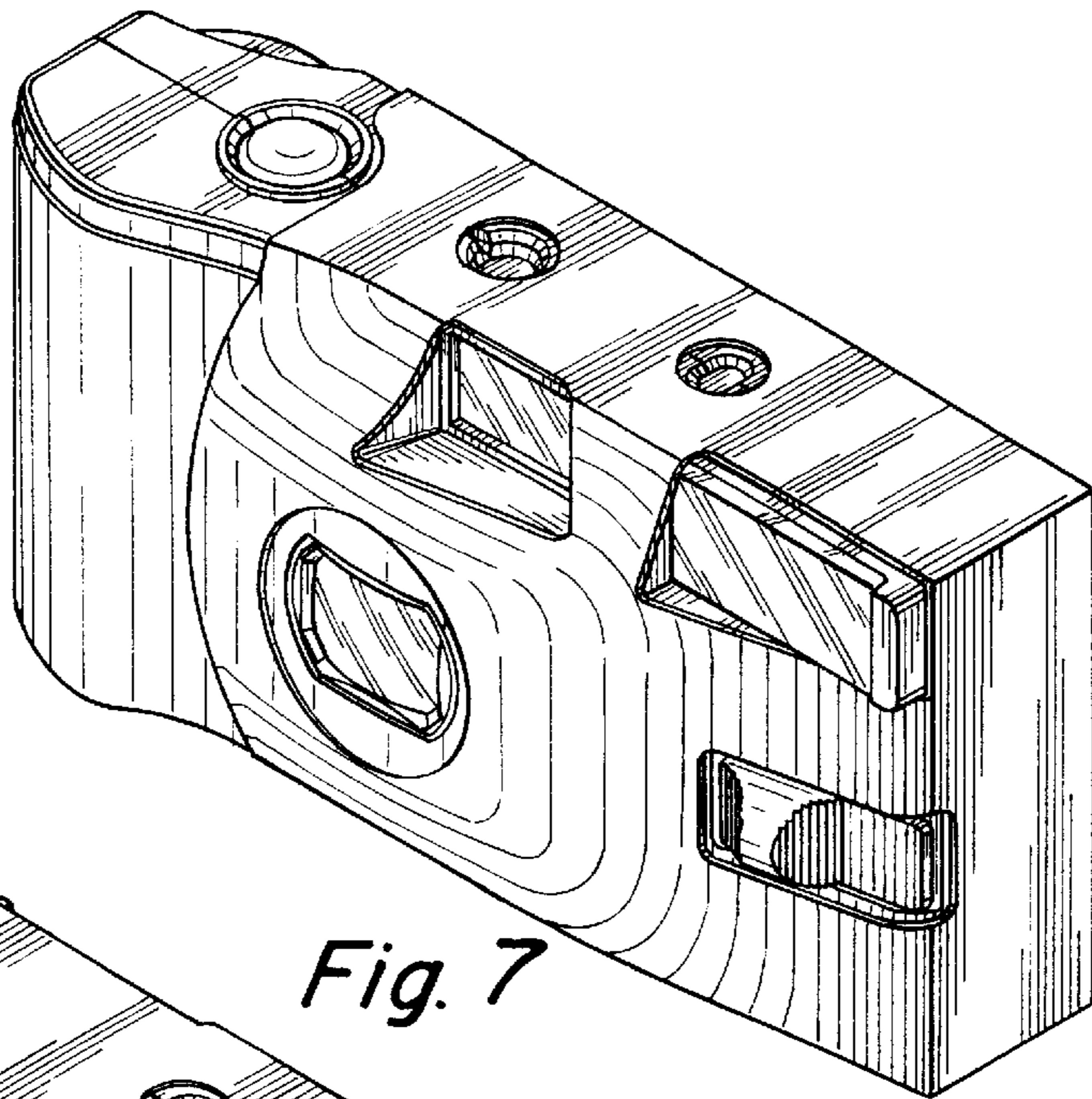


Fig. 7

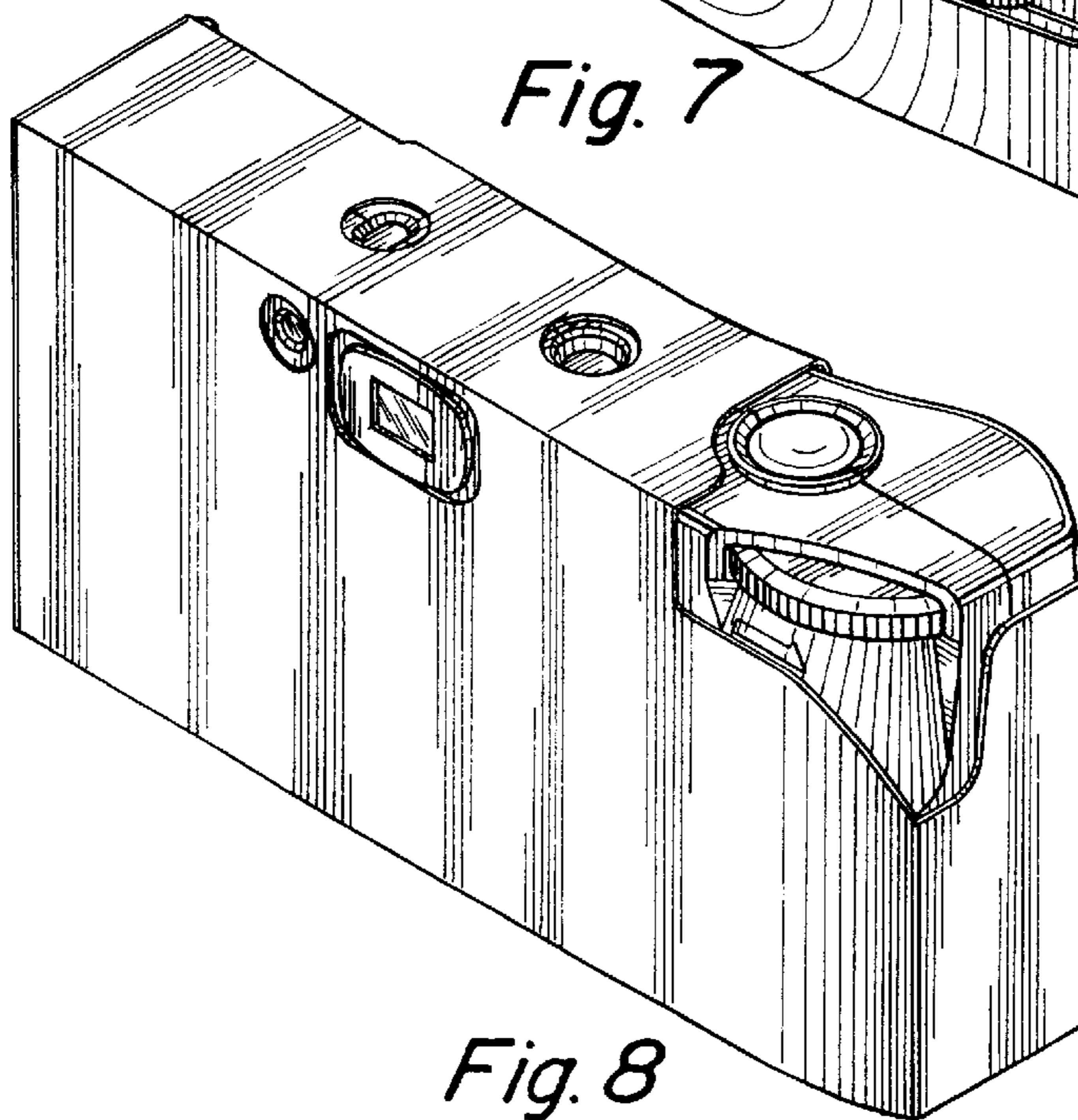


Fig. 8