



US00D478923S

(12) **United States Design Patent**
Han

(10) **Patent No.:** **US D478,923 S**

(45) **Date of Patent:** **** Aug. 26, 2003**

(54) **DIGITAL STILL CAMERA**

(75) Inventor: **Ming-Chun Han**, Taipei (TW)

(73) Assignee: **Salix Technology Co., Ltd.**, Taipei (TW)

(**) Term: **14 Years**

(21) Appl. No.: **29/168,475**

(22) Filed: **Oct. 3, 2002**

(51) **LOC (7) Cl.** **16-01**

(52) **U.S. Cl.** **D16/202; D16/211**

(58) **Field of Search** **D16/200-205, D16/208, 218; 348/14.01-14.1, 373-376; 358/909.1; 396/419, 427, 535-541**

(56) **References Cited**

U.S. PATENT DOCUMENTS

D396,869 S	*	8/1998	Yamakawa et al.	D16/202
D439,921 S	*	4/2001	Brickus et al.	D16/211
D447,758 S	*	9/2001	Lin et al.	D16/202
D454,146 S	*	3/2002	Mori	D16/202
D463,812 S	*	10/2002	Brickus et al.	D16/211
D470,874 S	*	2/2003	Chiu	D16/202

2002/0085844 A1 * 7/2002 Tashiro 396/427

* cited by examiner

Primary Examiner—Adir Aronovich

(74) *Attorney, Agent, or Firm*—Browdy and Neimark, P.L.L.C.

(57) **CLAIM**

The ornamental design for a digital still camera, as shown and described.

DESCRIPTION

FIG. 1 is a perspective view of a digital still camera showing my new design;

FIG. 2 is a front view thereof;

FIG. 3 is a rear view thereof;

FIG. 4 is a left side view thereof;

FIG. 5 is a right side view thereof;

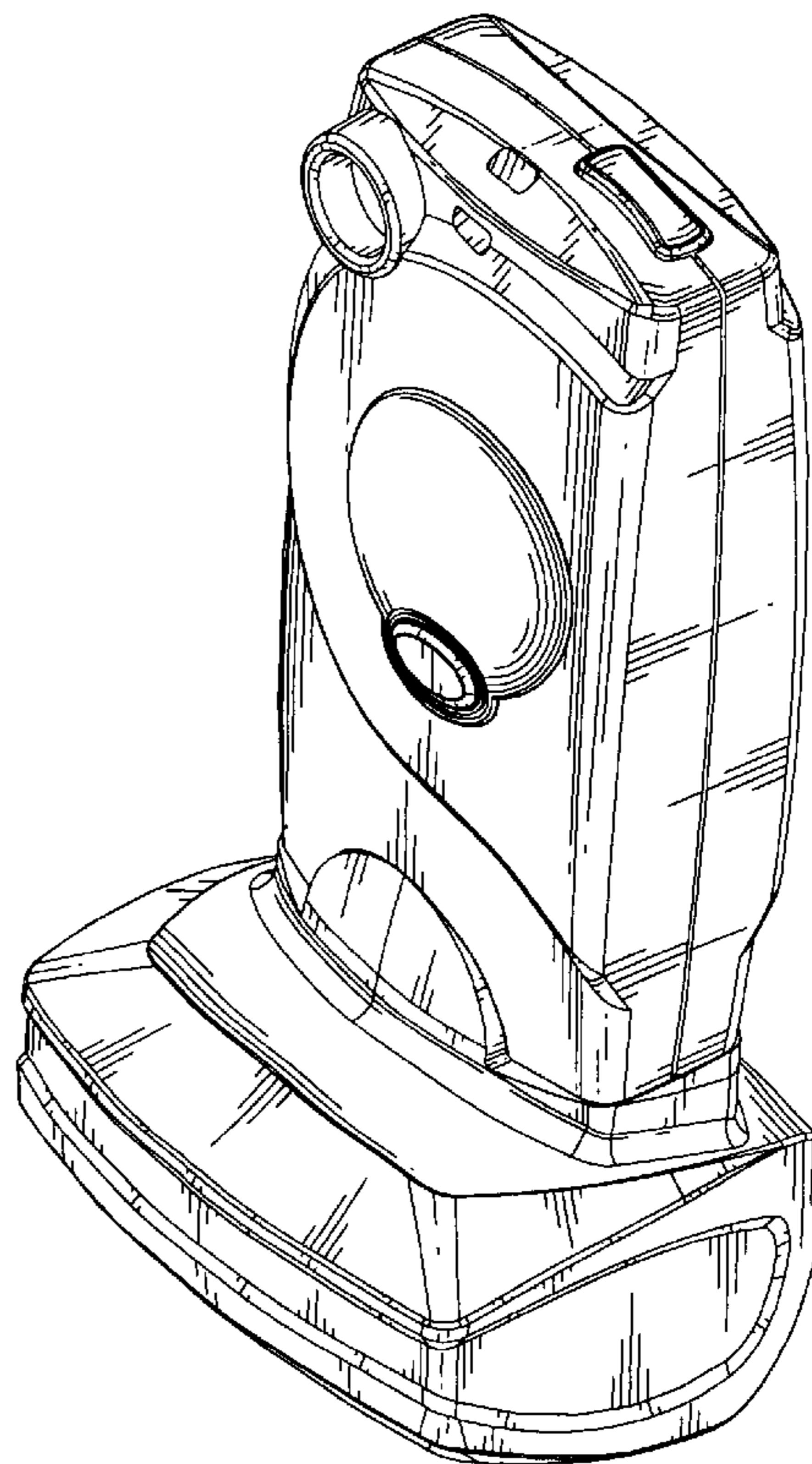
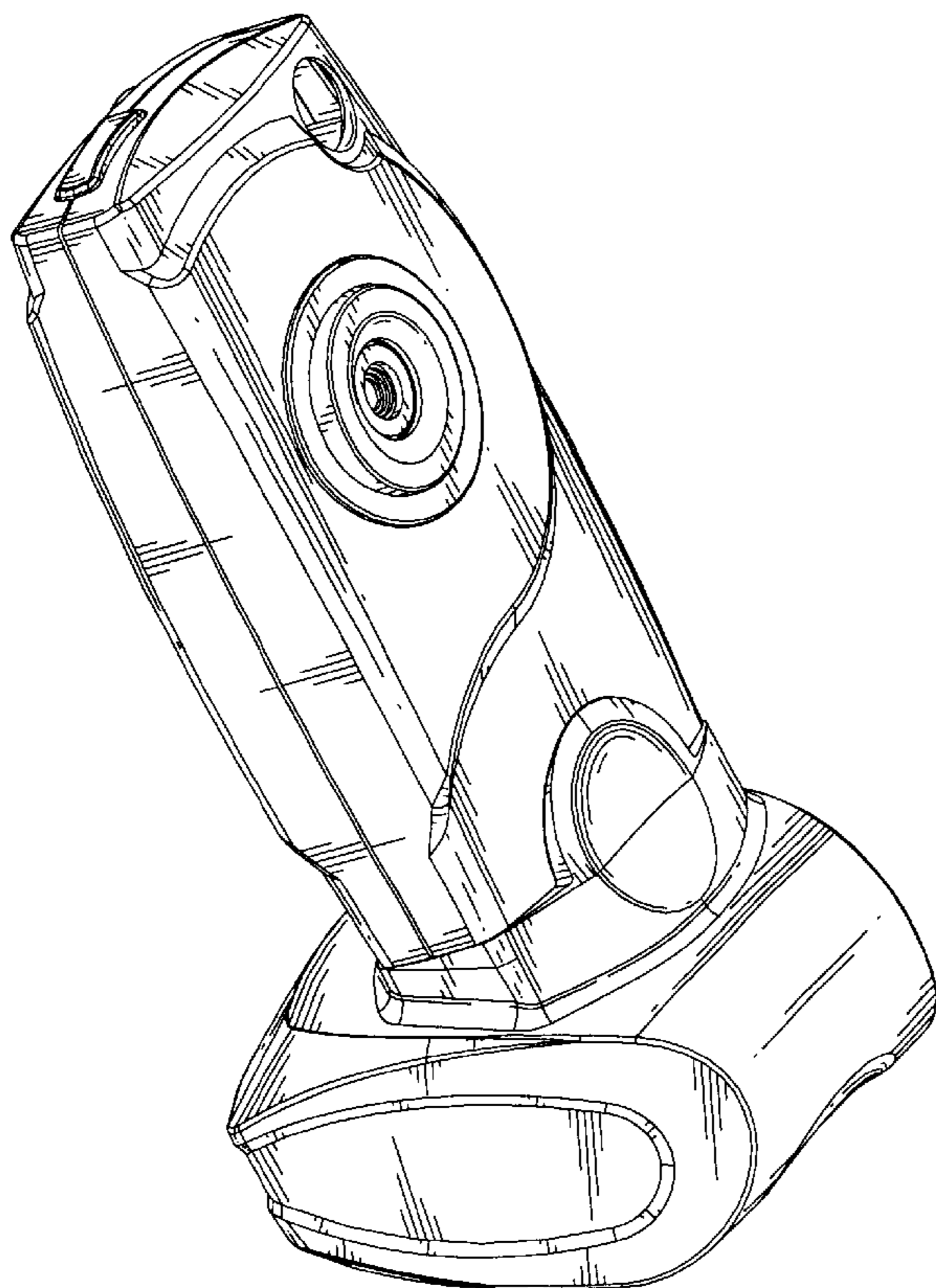
FIG. 6 is a top view thereof;

FIG. 7 is a bottom view thereof;

FIG. 8 is a perspective view viewed from another visual angle; and,

FIG. 9 is an exploded view thereof.

1 Claim, 6 Drawing Sheets



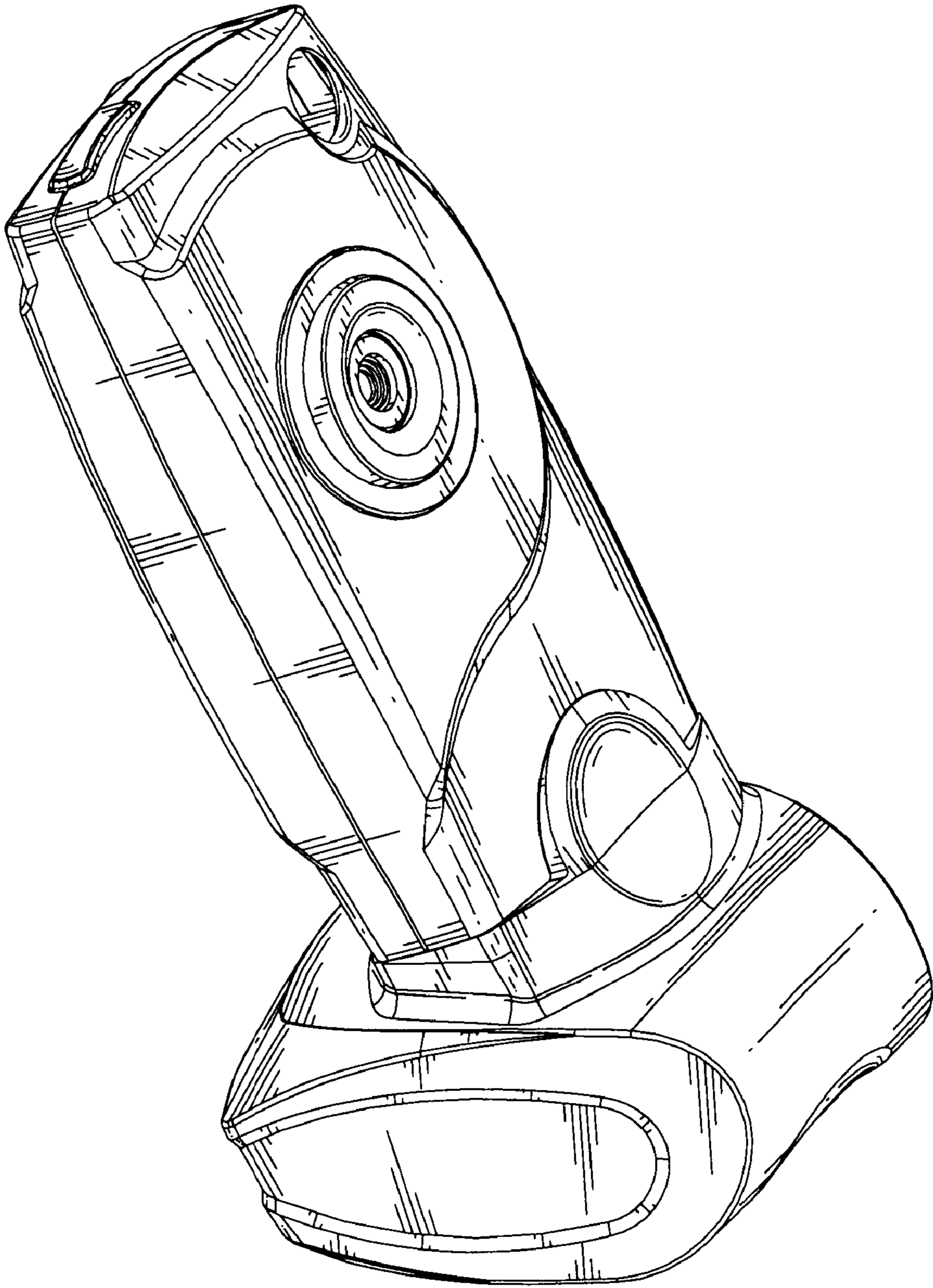


FIG. 1

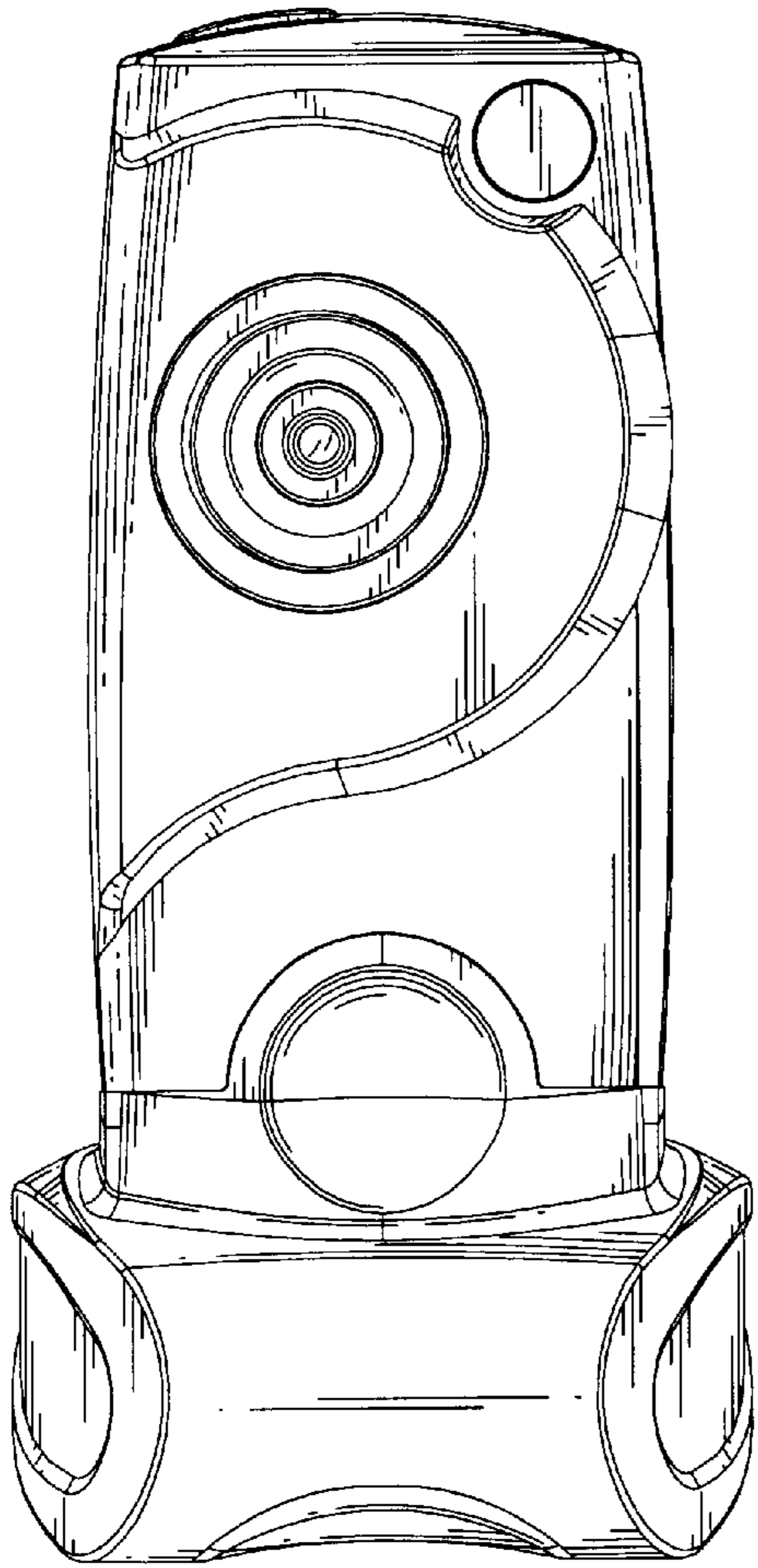


FIG. 2

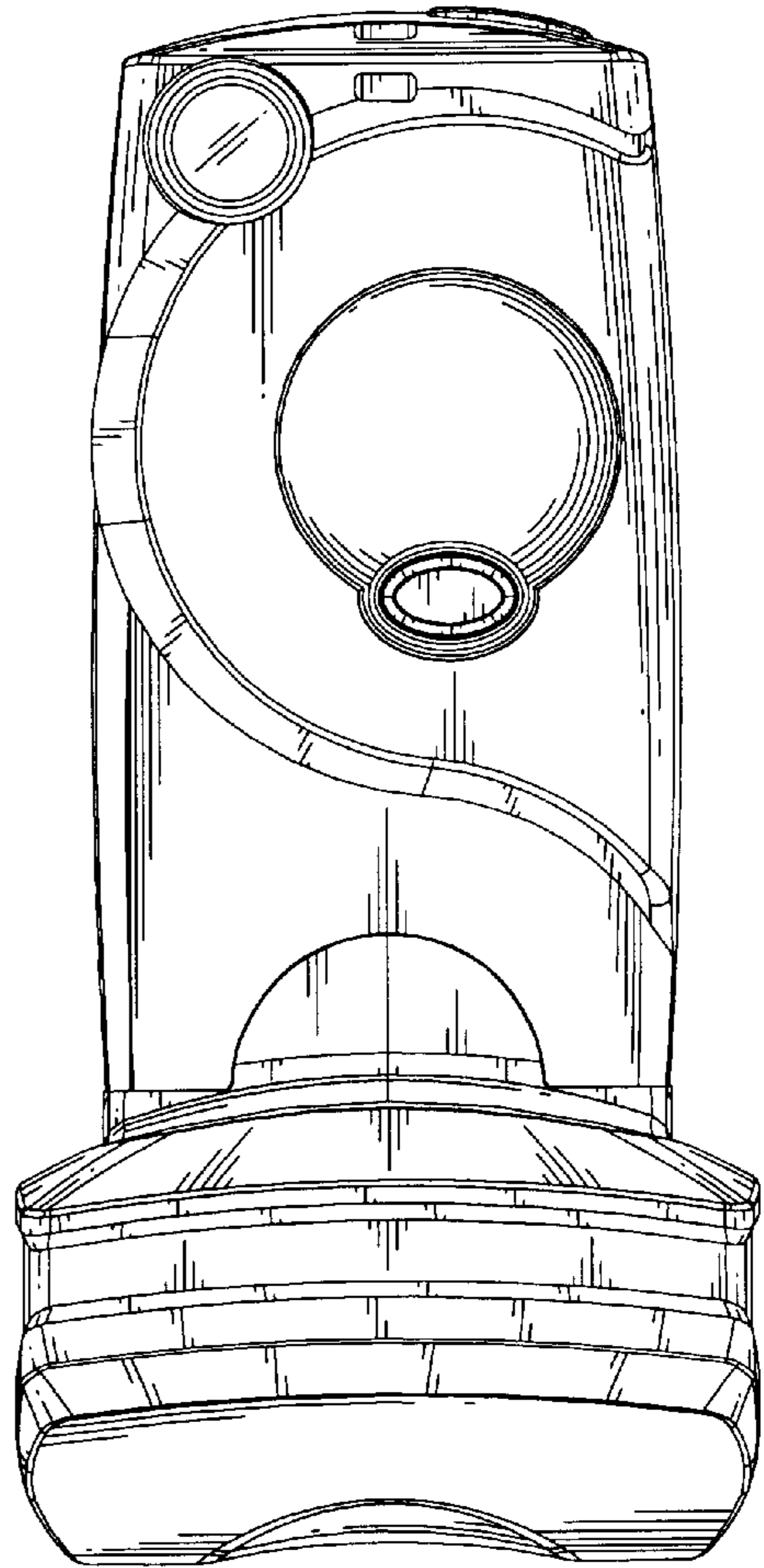


FIG. 3

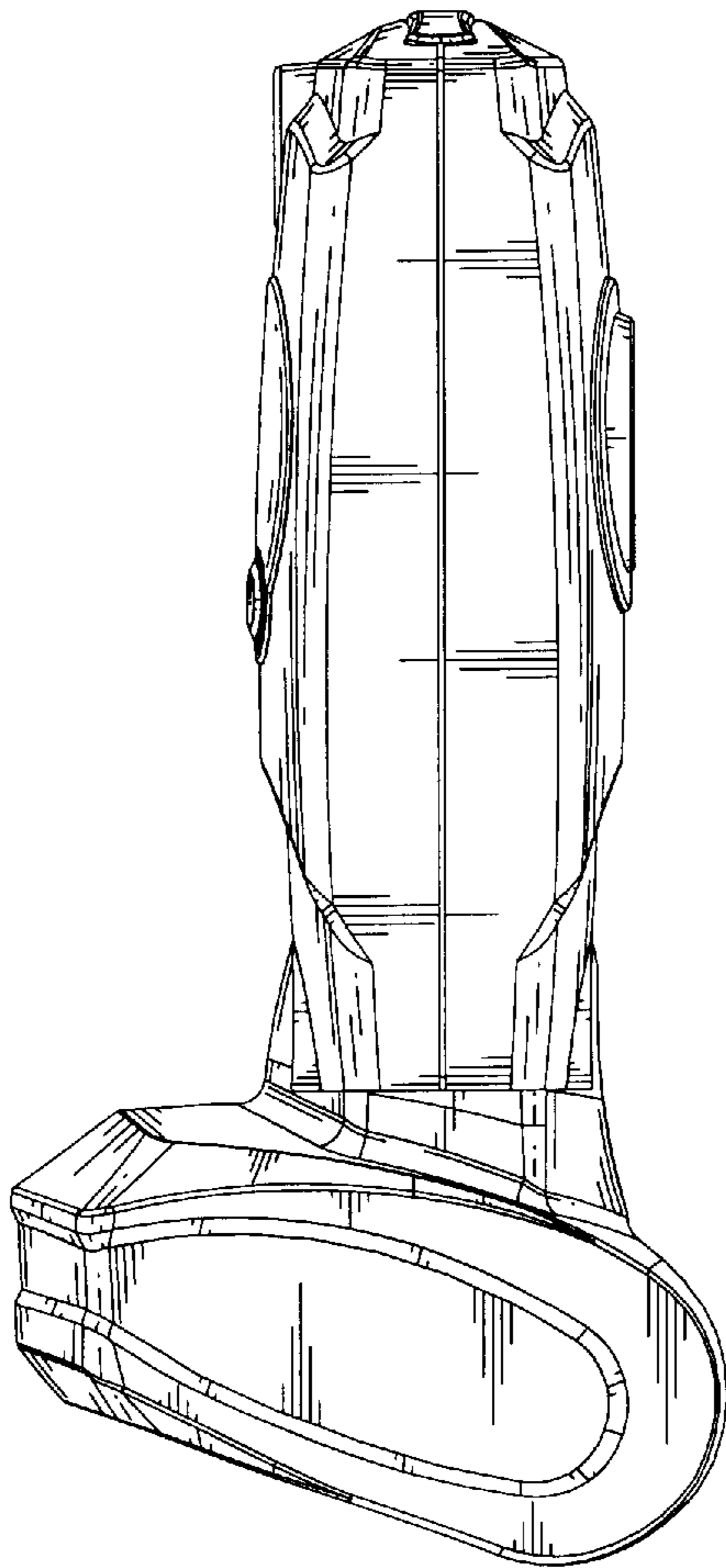


FIG. 4

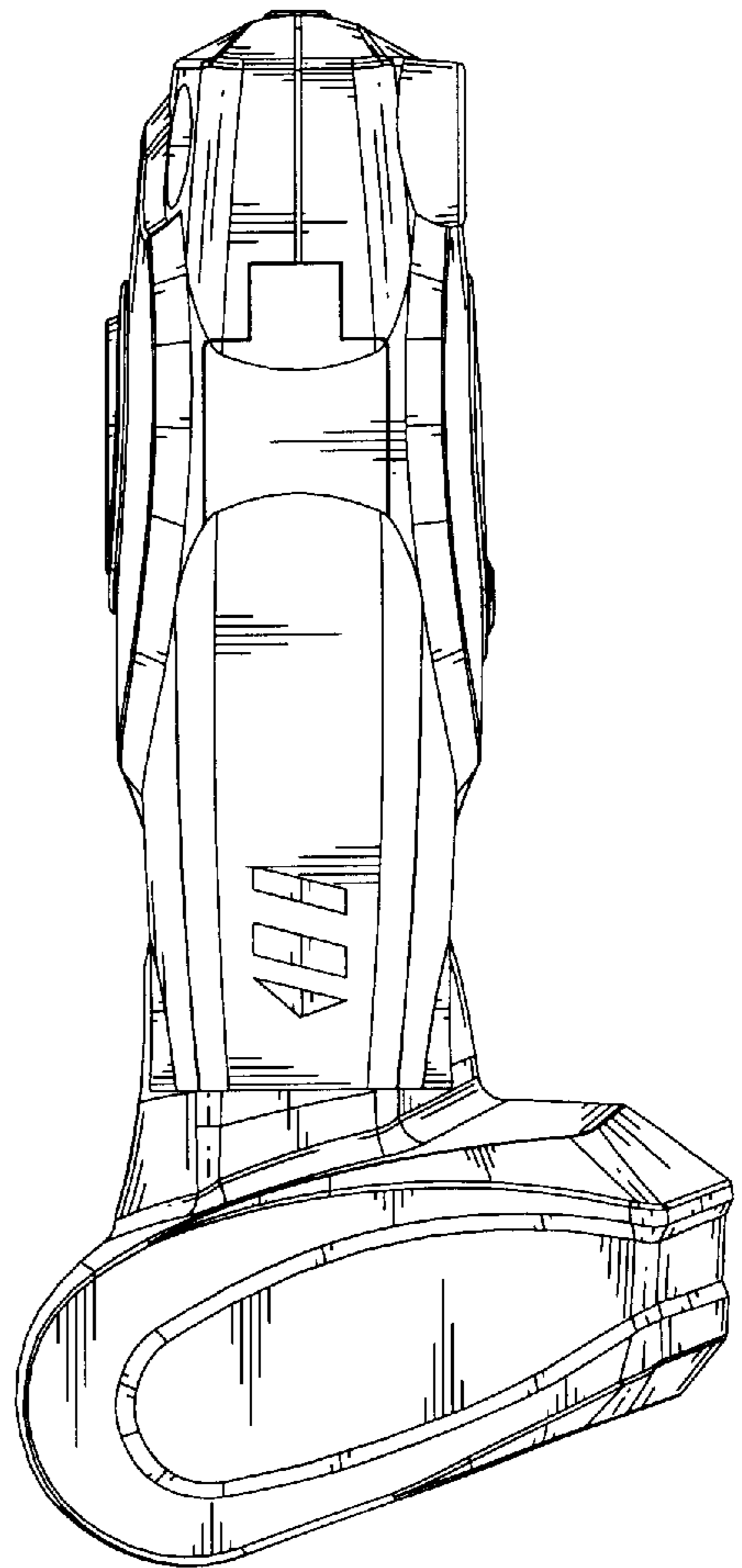


FIG. 5

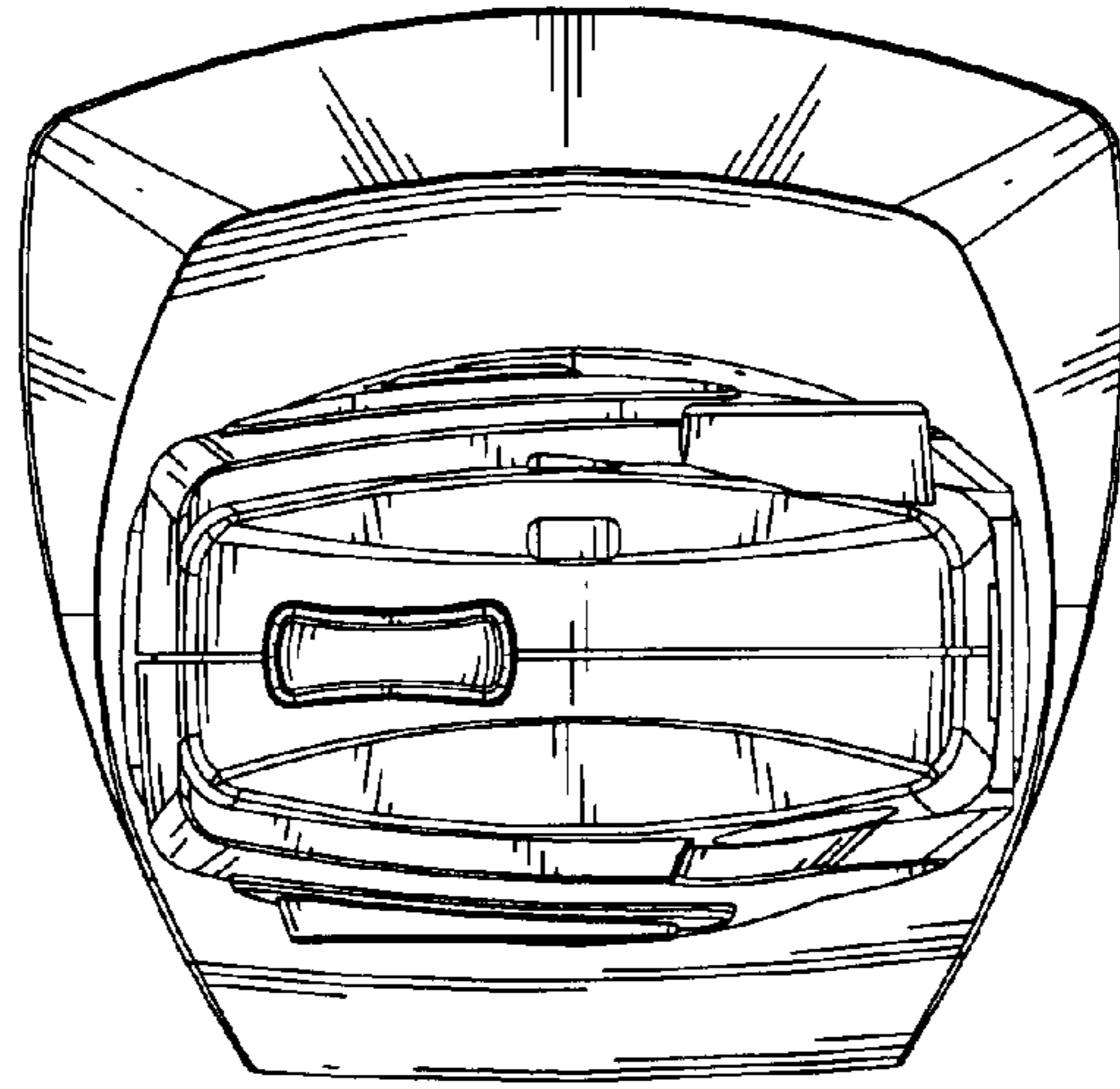


FIG. 6

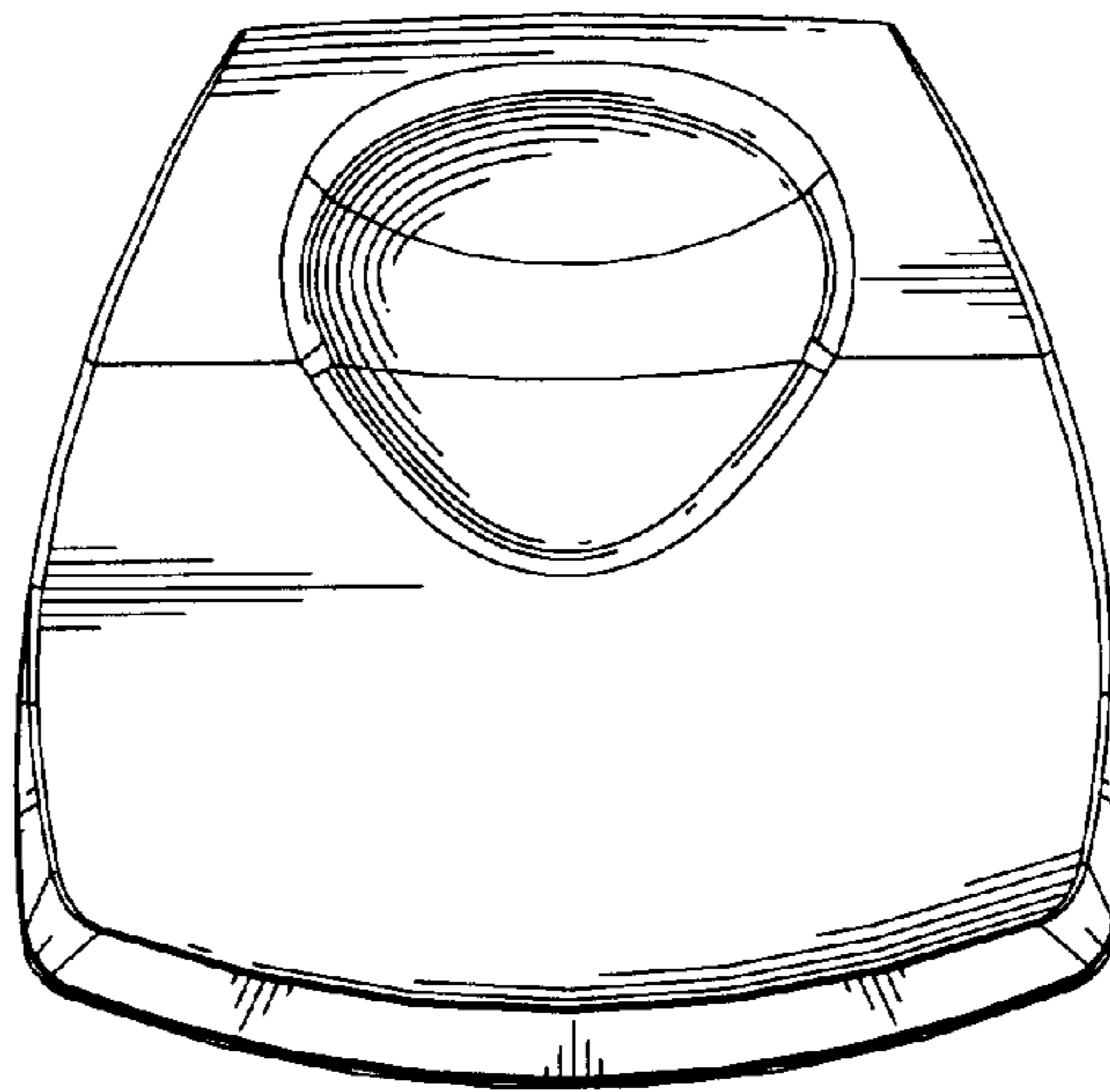


FIG. 7

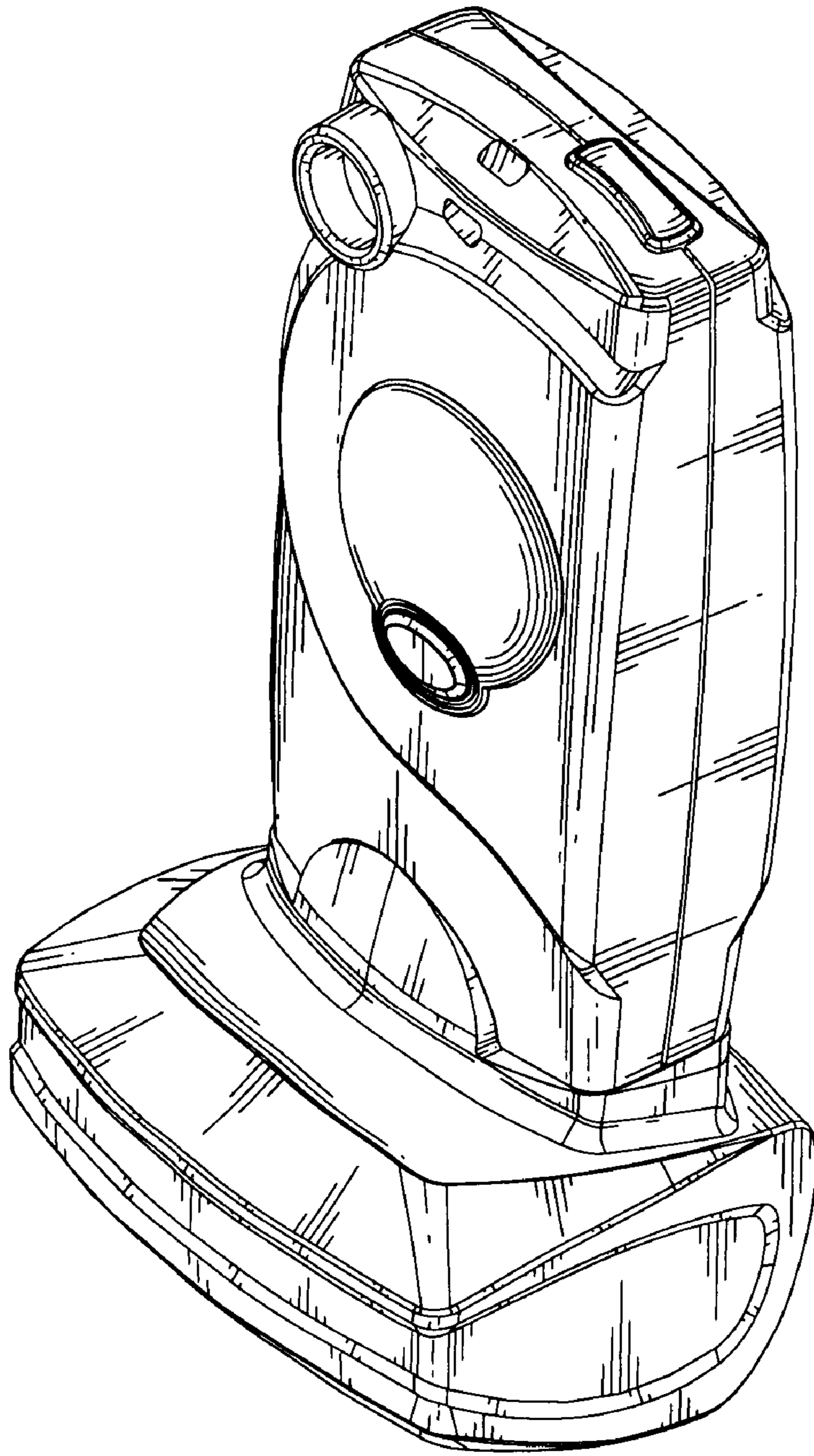


FIG. 8

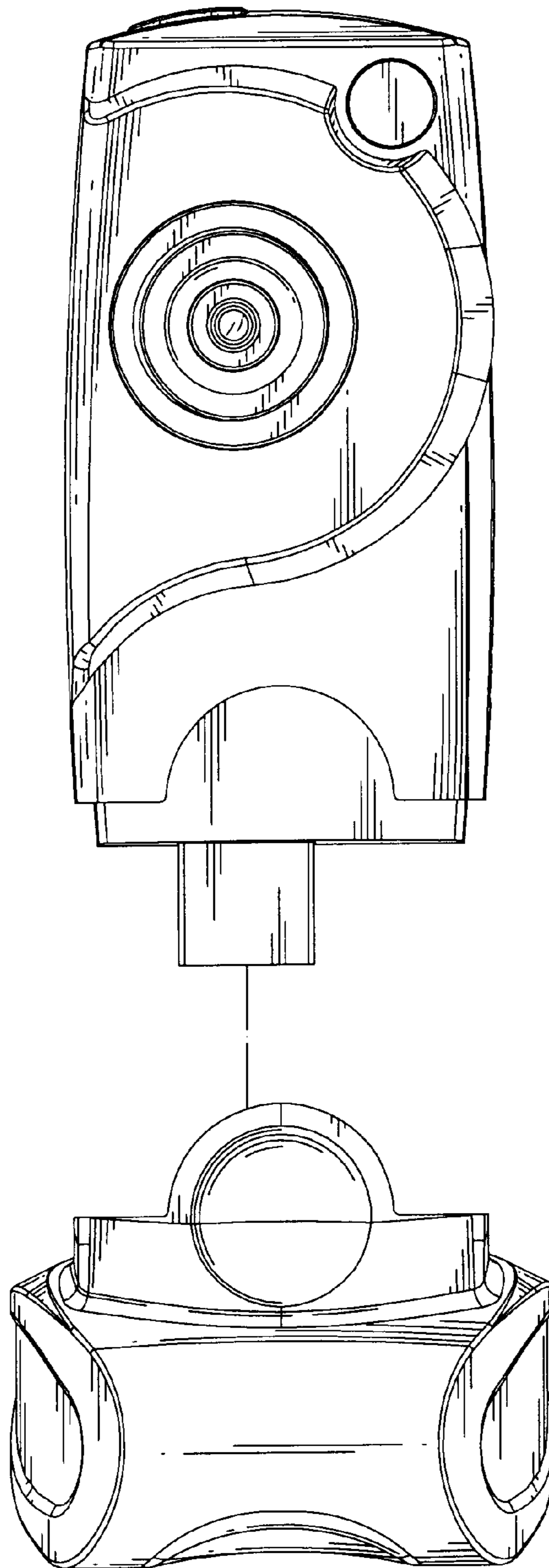


FIG. 9