



US00D478921S

(12) **United States Design Patent**
Kullborg et al.

(10) **Patent No.:** **US D478,921 S**

(45) **Date of Patent:** **** Aug. 26, 2003**

(54) **INDUSTRIAL ROBOT**

6,522,906 B1 * 2/2003 Salisbury, Jr. et al. 700/245

(75) Inventors: **Ove Kullborg**, Vasteras (SE); **Fredrik Persson**, Vasteras (SE)

* cited by examiner

(73) Assignee: **ABB AB**, Vasteras (SE)

Primary Examiner—Antoine Duval Davis

(**) Term: **14 Years**

(74) *Attorney, Agent, or Firm*—Young & Thompson

(21) Appl. No.: **29/165,076**

(22) Filed: **Aug. 6, 2002**

(57) **CLAIM**

The ornamental design for an industrial robot, as shown.

(30) **Foreign Application Priority Data**

DESCRIPTION

Feb. 6, 2002 (SE) 02-0223

FIG. 1 is a front and right side perspective view of an industrial robot, showing our new design;

(51) **LOC (7) Cl.** **15-99**

FIG. 2 is a front and left side perspective view thereof;

(52) **U.S. Cl.** **D15/199**

FIG. 3 is a front elevational view thereof;

(58) **Field of Search** D15/199; 74/490.01,
74/490.03; 414/735; 700/245

FIG. 4 is a rear elevational view thereof;

FIG. 5 is a right side elevational view thereof;

FIG. 6 is a left side elevational view thereof;

FIG. 7 is a top plan view thereof; and,

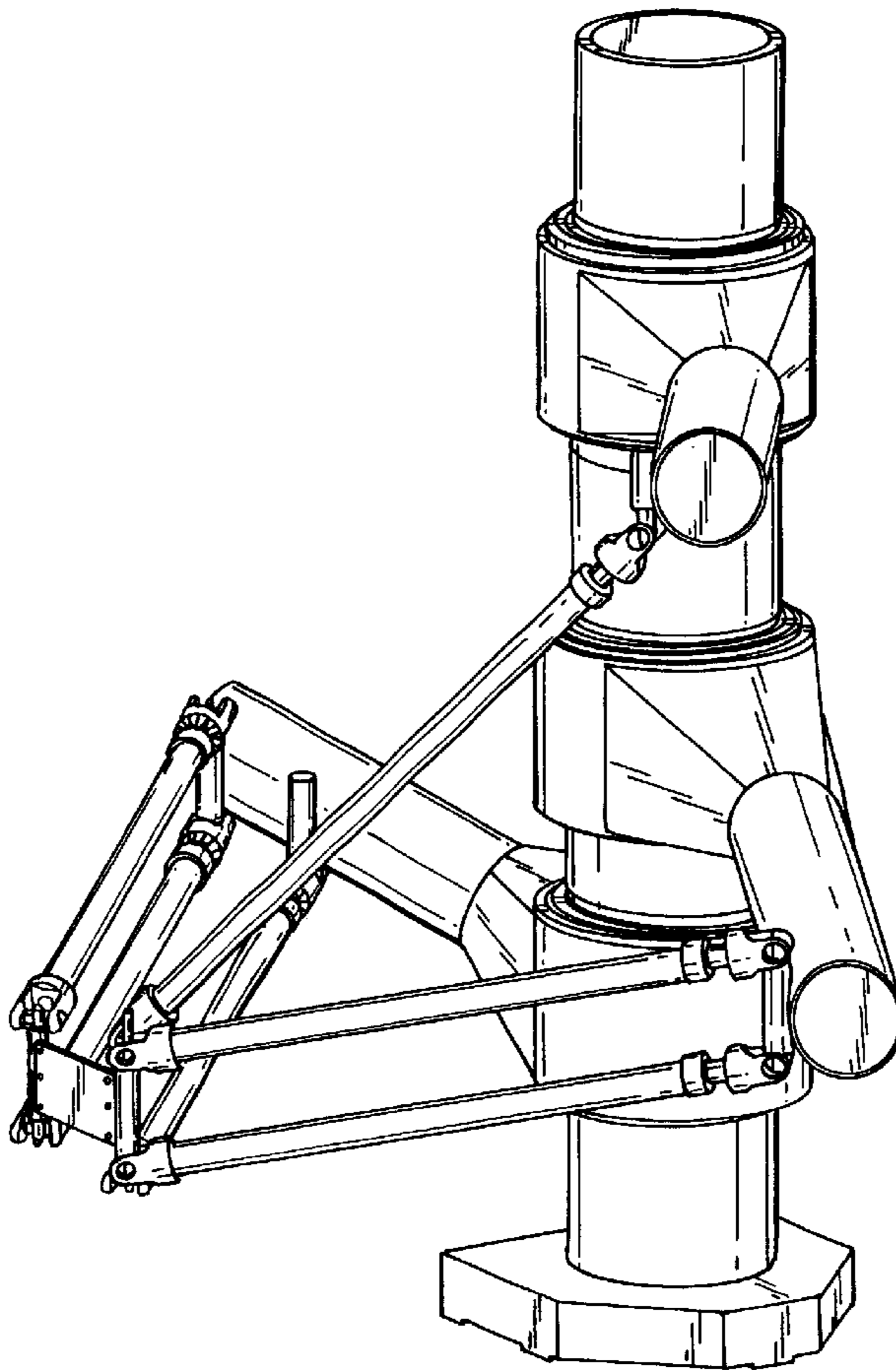
FIG. 8 is a bottom plan view thereof.

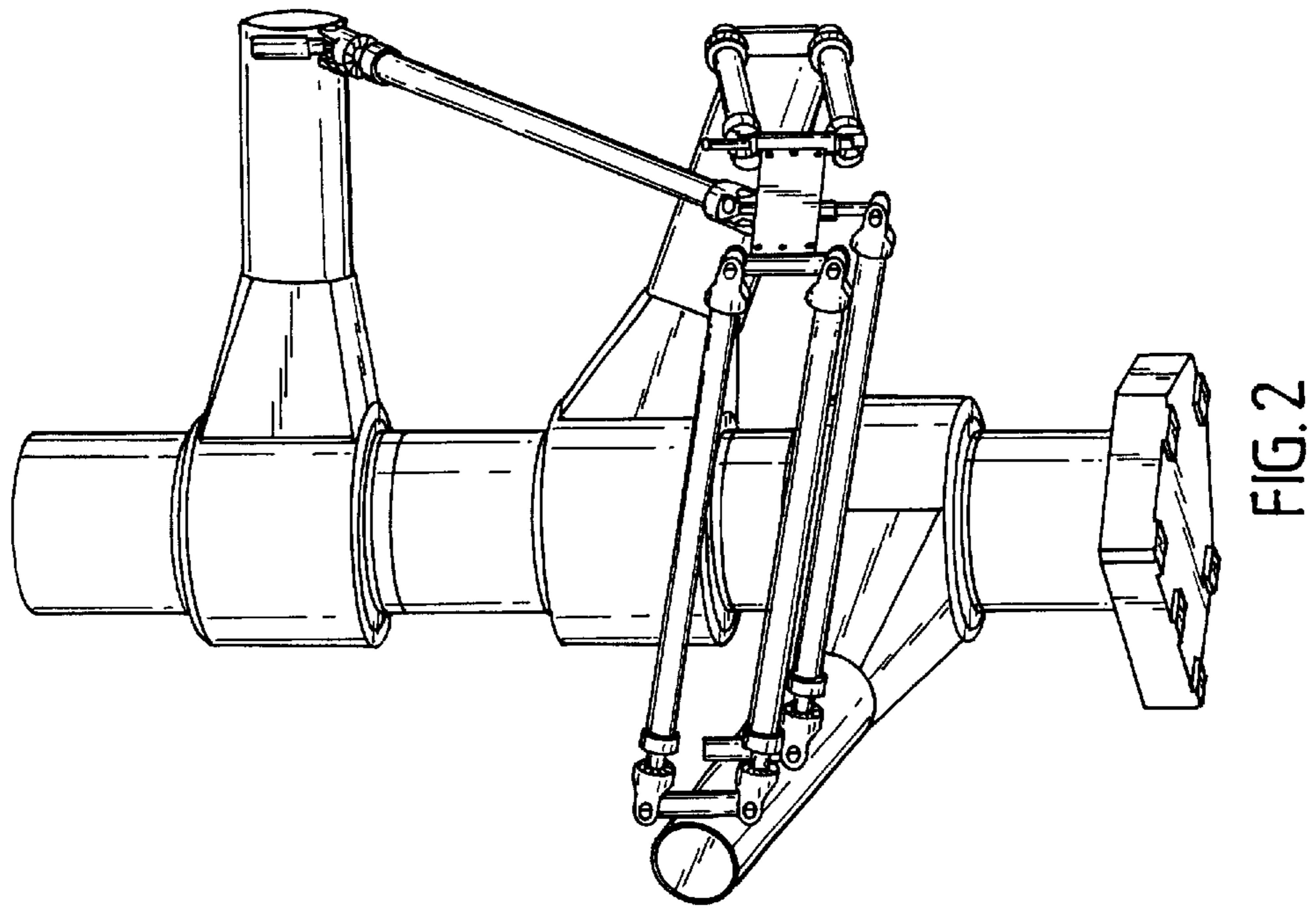
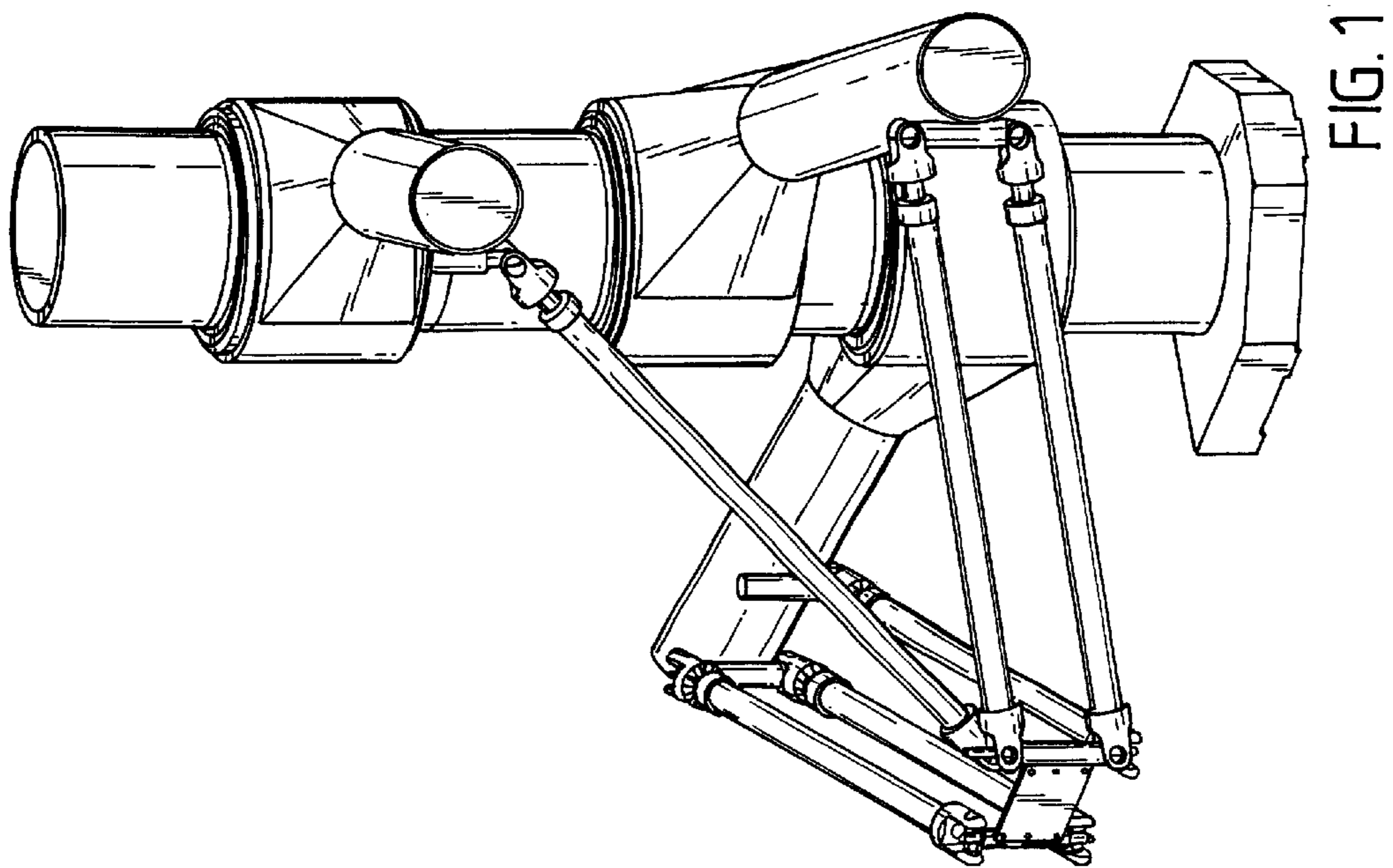
(56) **References Cited**

U.S. PATENT DOCUMENTS

6,439,076 B1 * 8/2002 Flemmer 74/490.03

1 Claim, 4 Drawing Sheets





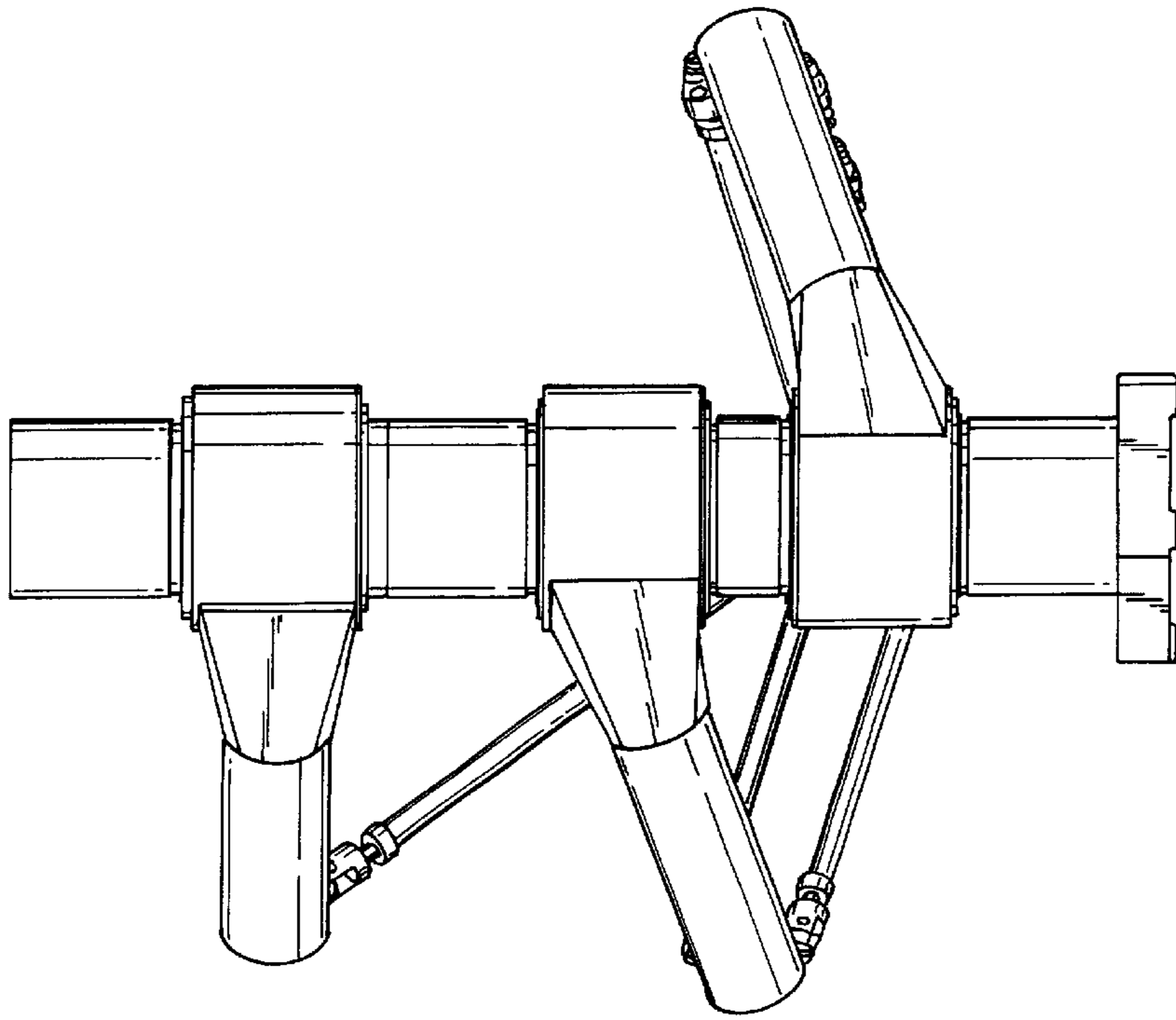


FIG. 4

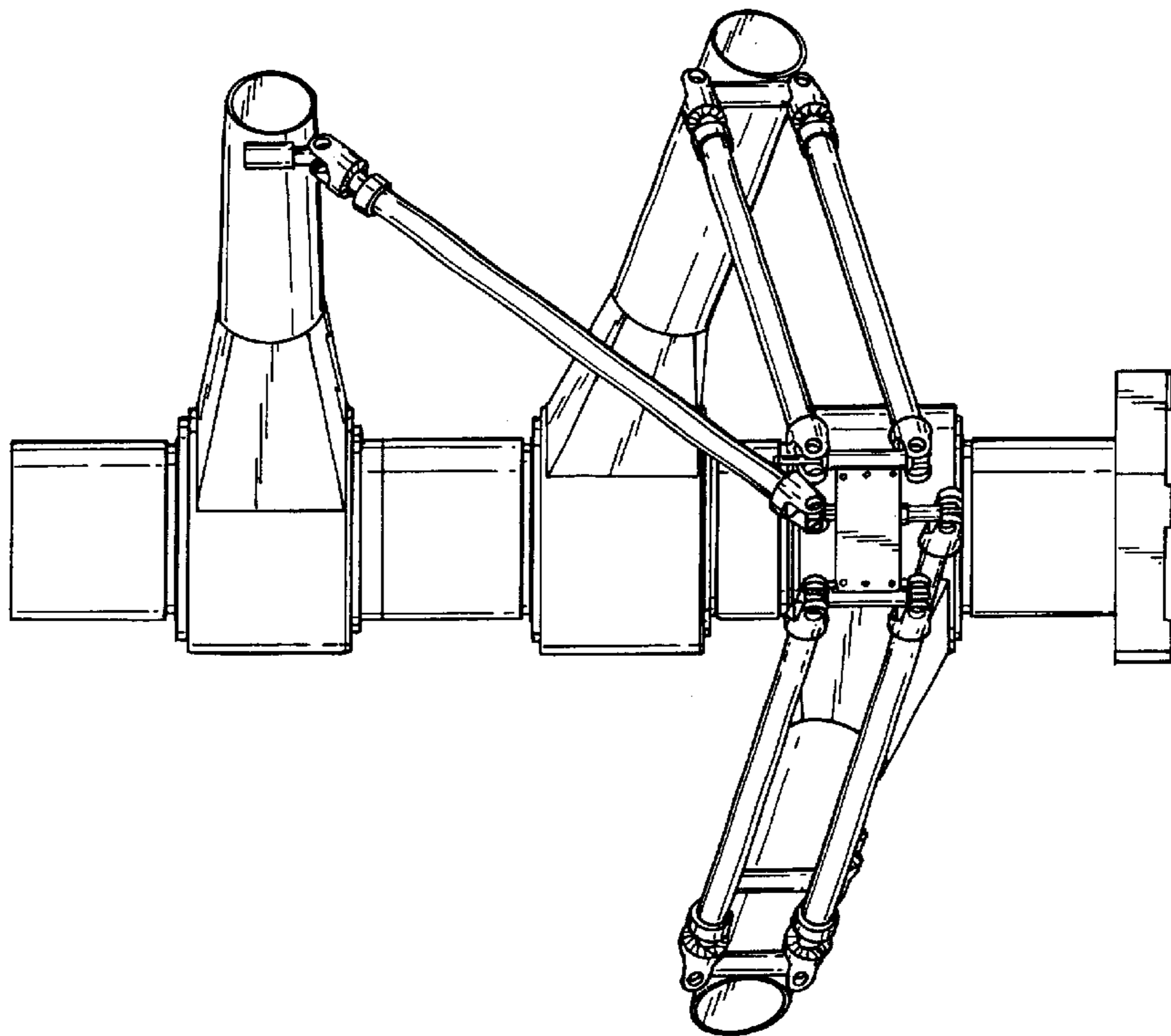


FIG. 3

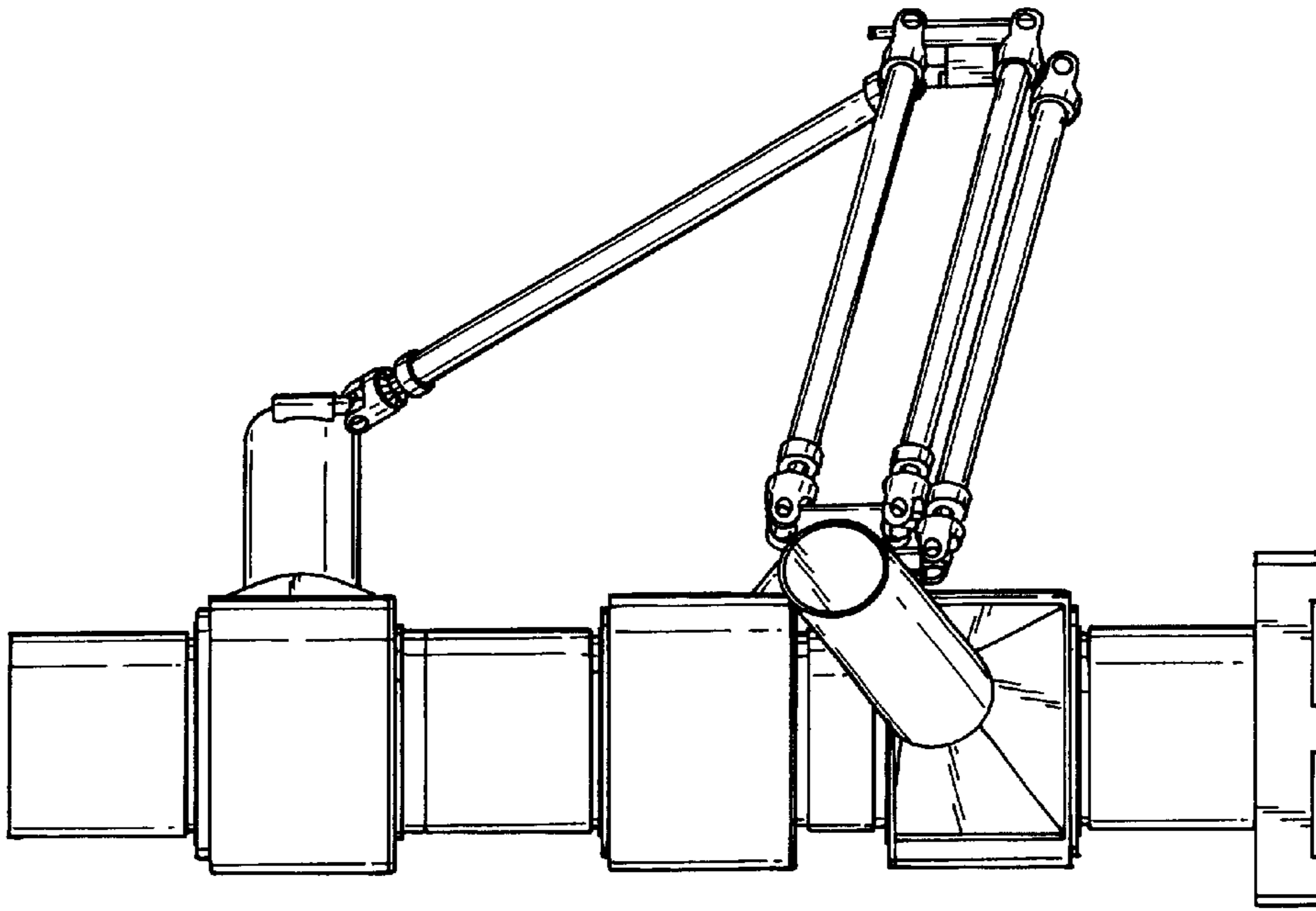


FIG. 6

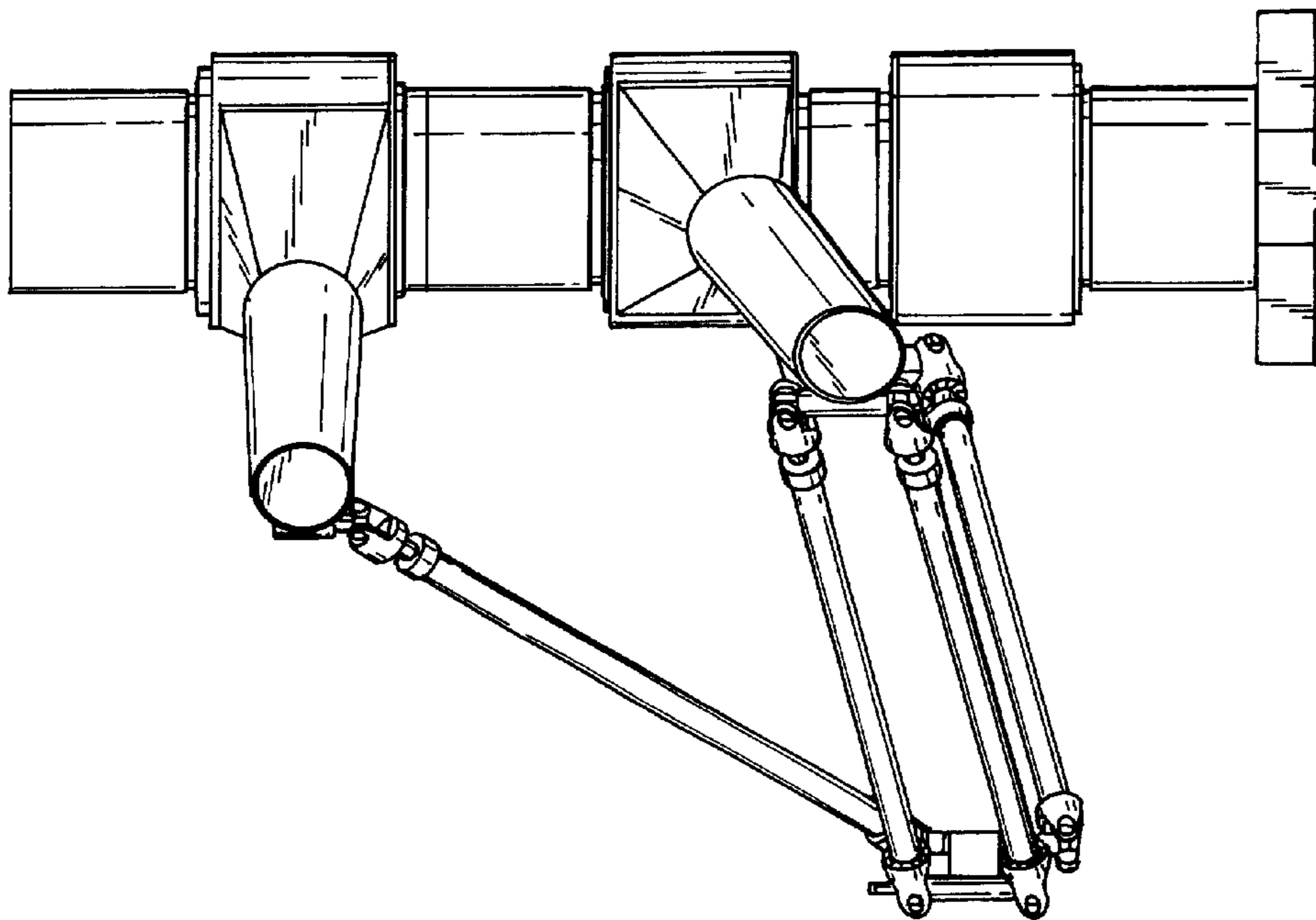


FIG. 5

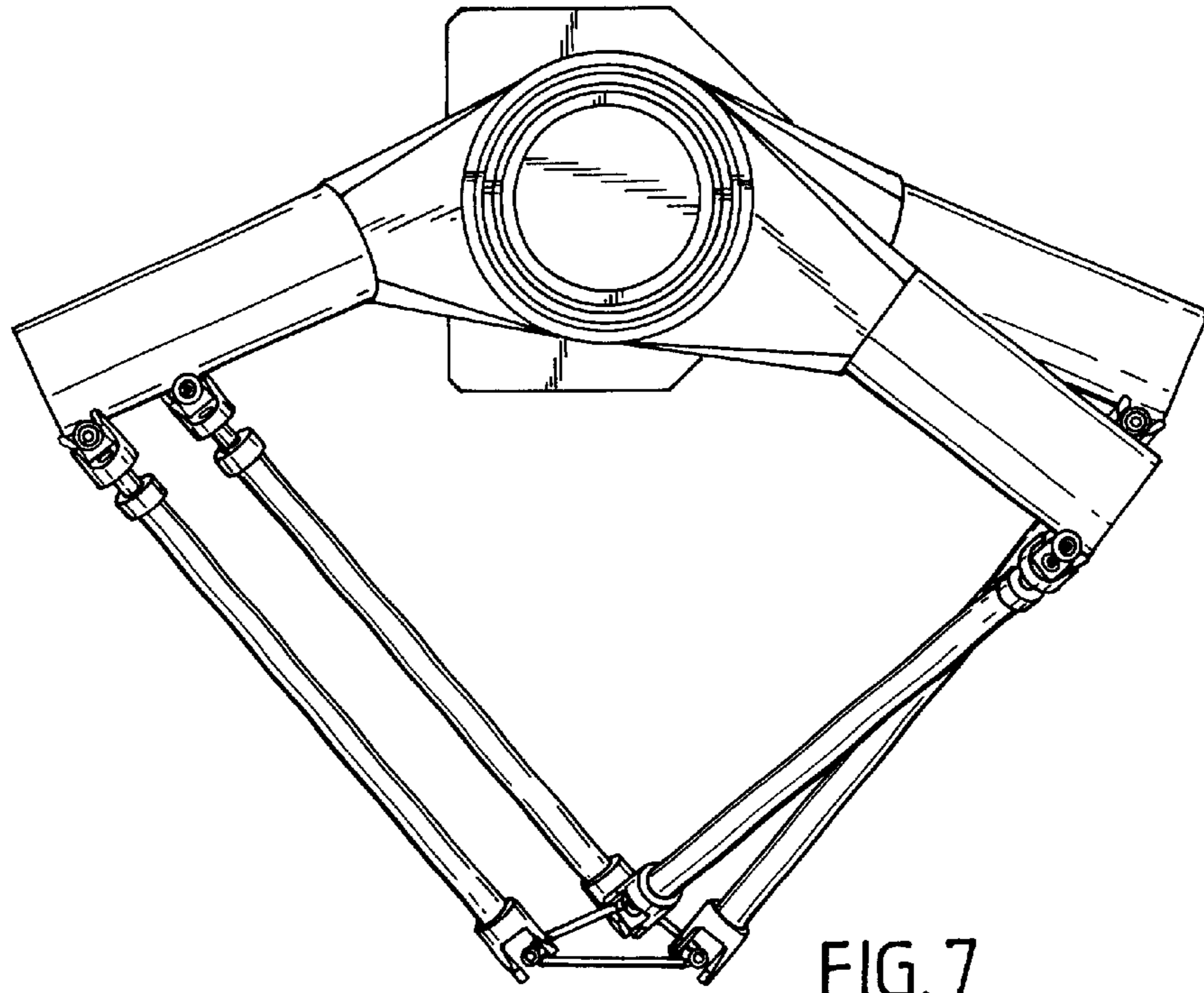


FIG. 7

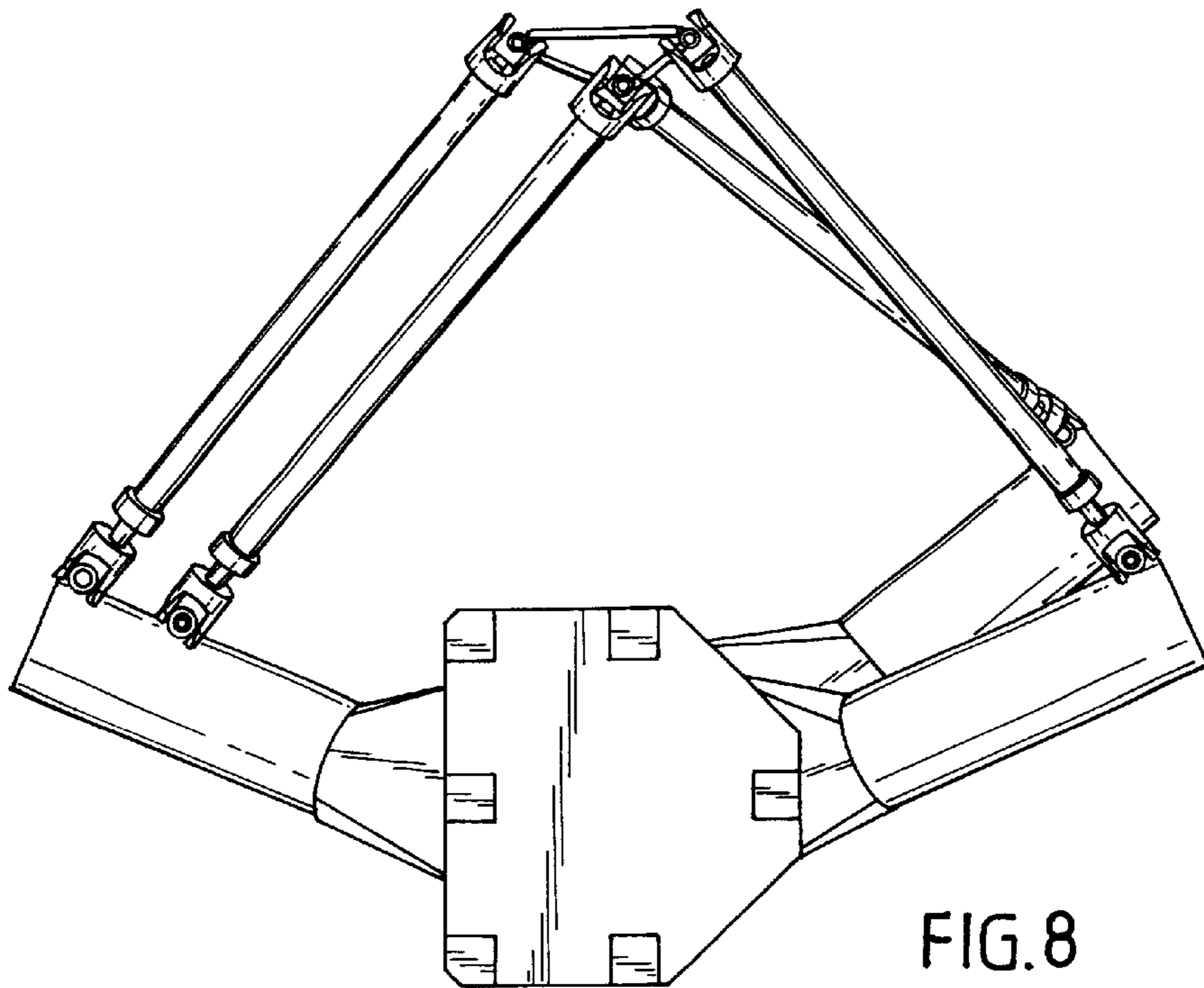


FIG. 8