



US00D478920S

(12) **United States Design Patent**
Huckabee

(10) **Patent No.:** **US D478,920 S**

(45) **Date of Patent:** **** Aug. 26, 2003**

(54) **COMBINED OIL DRAIN PAN AND CONTAINER**

(76) **Inventor:** **Patrick E. Huckabee**, 1045 Beacon Light Dr., Eads, TN (US) 38029

(**) **Term:** **14 Years**

(21) **Appl. No.:** **29/166,715**

(22) **Filed:** **Sep. 3, 2002**

Related U.S. Application Data

(63) Continuation-in-part of application No. 29/144,721, filed on Jul. 10, 2001.

(51) **LOC (7) Cl.** **15-09**

(52) **U.S. Cl.** **D15/150**

(58) **Field of Search** D15/150-152;
D23/202; 141/98, 86; 184/106, 1.5; 206/508,
509, 223; 220/573, 288; 222/484

(56) **References Cited**

U.S. PATENT DOCUMENTS

D344,740 S * 3/1994 Poirier D15/150
D353,151 S * 12/1994 Poirier D15/150

* cited by examiner

Primary Examiner—Antoine Duval Davis

(74) *Attorney, Agent, or Firm*—Walker, McKenzie & Walker, PC

(57) **CLAIM**

The ornamental design for a combined oil drain pan and container, as shown and described.

DESCRIPTION

FIG. 1 is a perspective view of a combined oil drain pan and container, showing a first preferred embodiment of my new design.

FIG. 2 is a sectional view as taken on line 2—2 of FIG. 1, to more clearly show certain ornamental features of the combined oil drain pan and container of FIG. 1.

FIG. 3 is a perspective sectional view similar to FIG. 2, to more clearly show certain ornamental features of the combined oil drain pan and container of FIG. 1.

FIG. 4 is a top plan view of the combined oil drain pan and container of FIG. 1.

FIG. 5 is a front elevation view of the combined oil drain pan and container of FIG. 1, the rear elevation being substantially identical thereto.

FIG. 6 is a bottom plan view of the combined oil drain pan and container of FIG. 1.

FIG. 7 is a first end elevation view of the combined oil drain pan and container of FIG. 1; and,

FIG. 8 is a second end elevation view of the combined oil drain pan and container of FIG. 1.

1 Claim, 3 Drawing Sheets

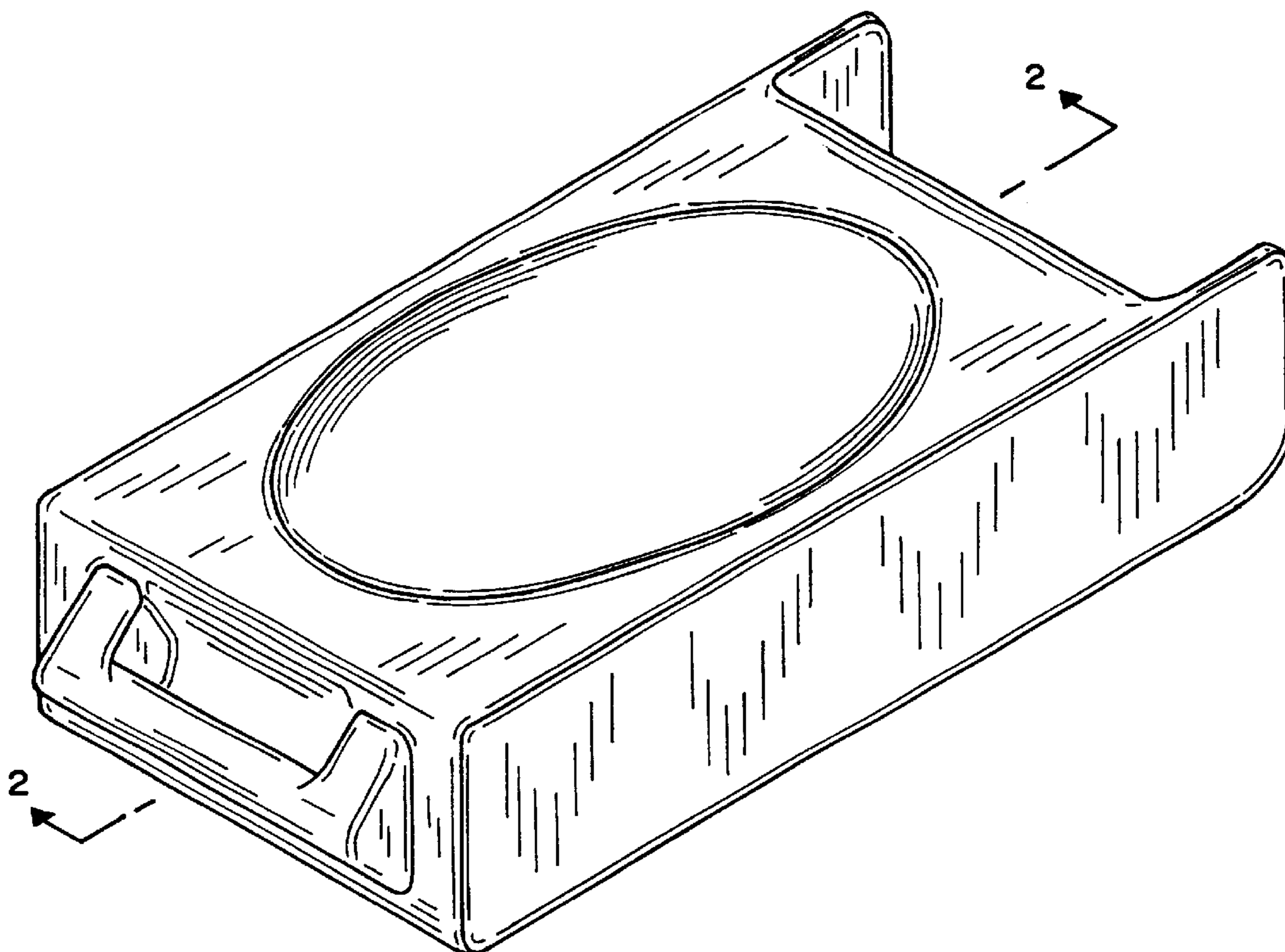


FIG. 1

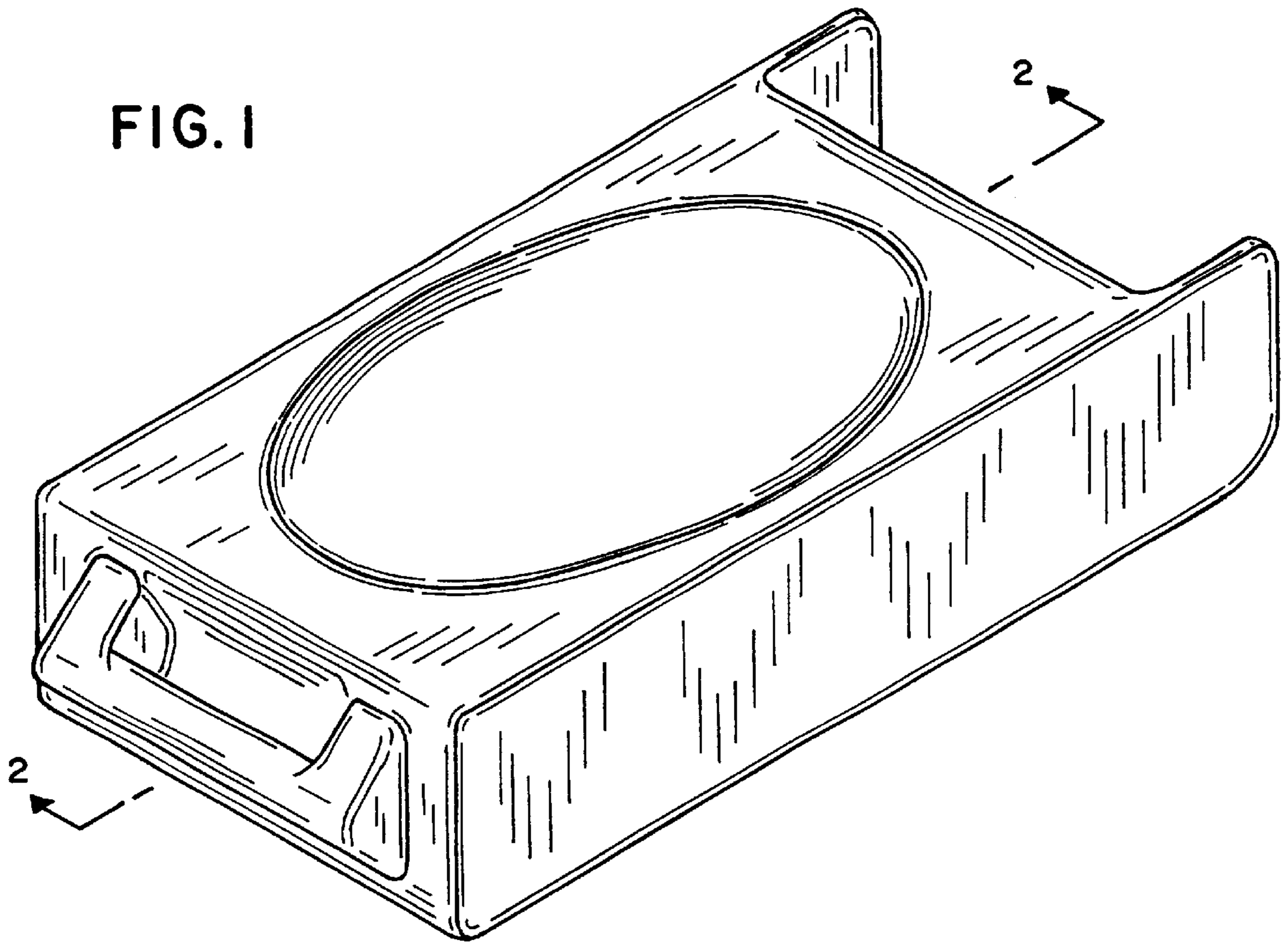


FIG. 2

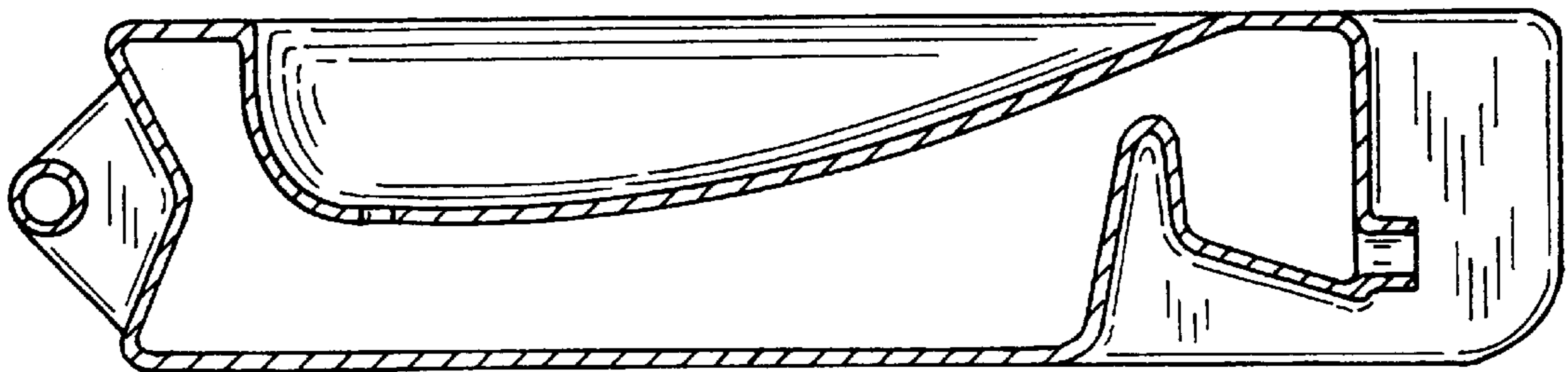


FIG. 3

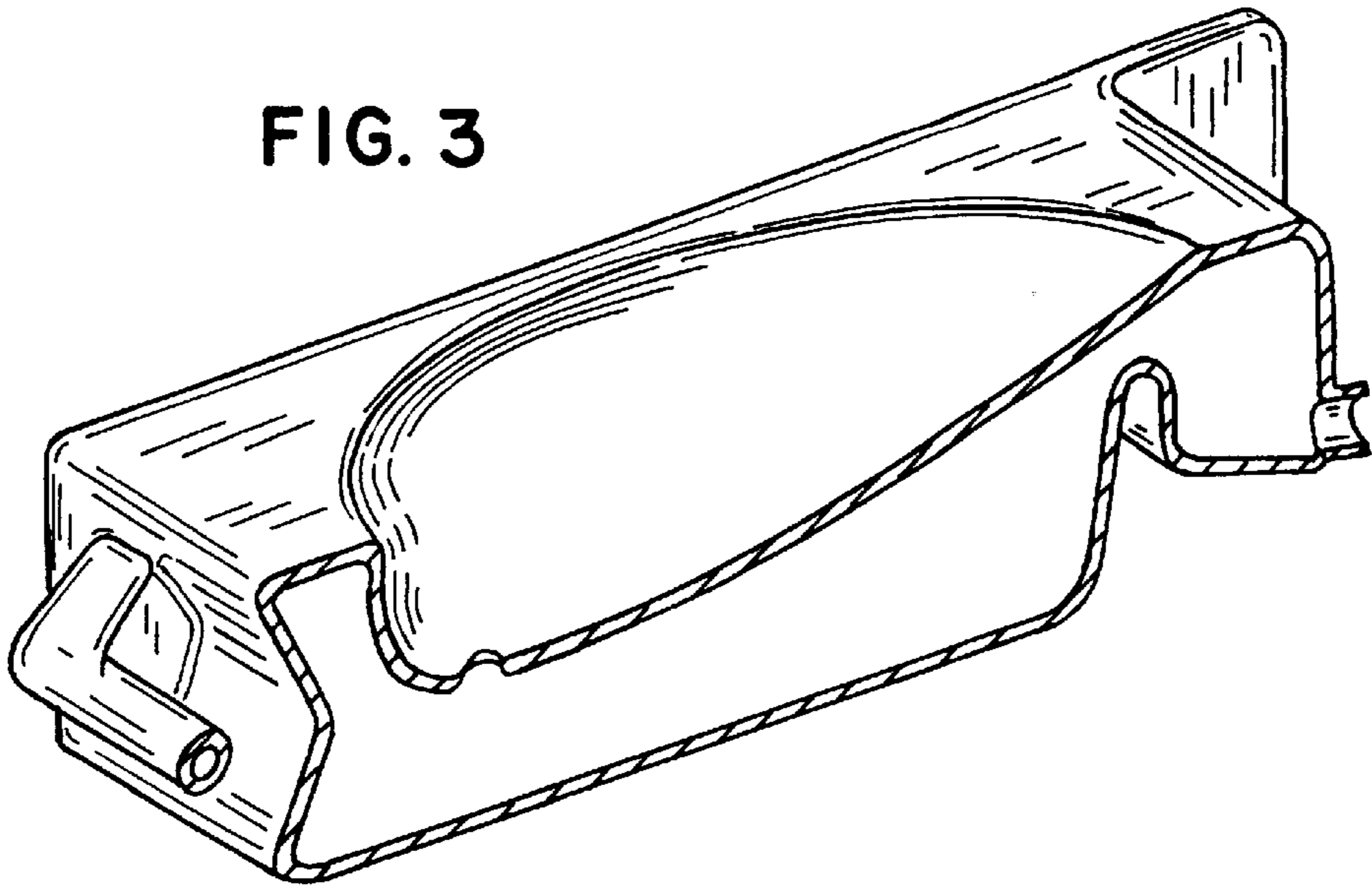


FIG. 4

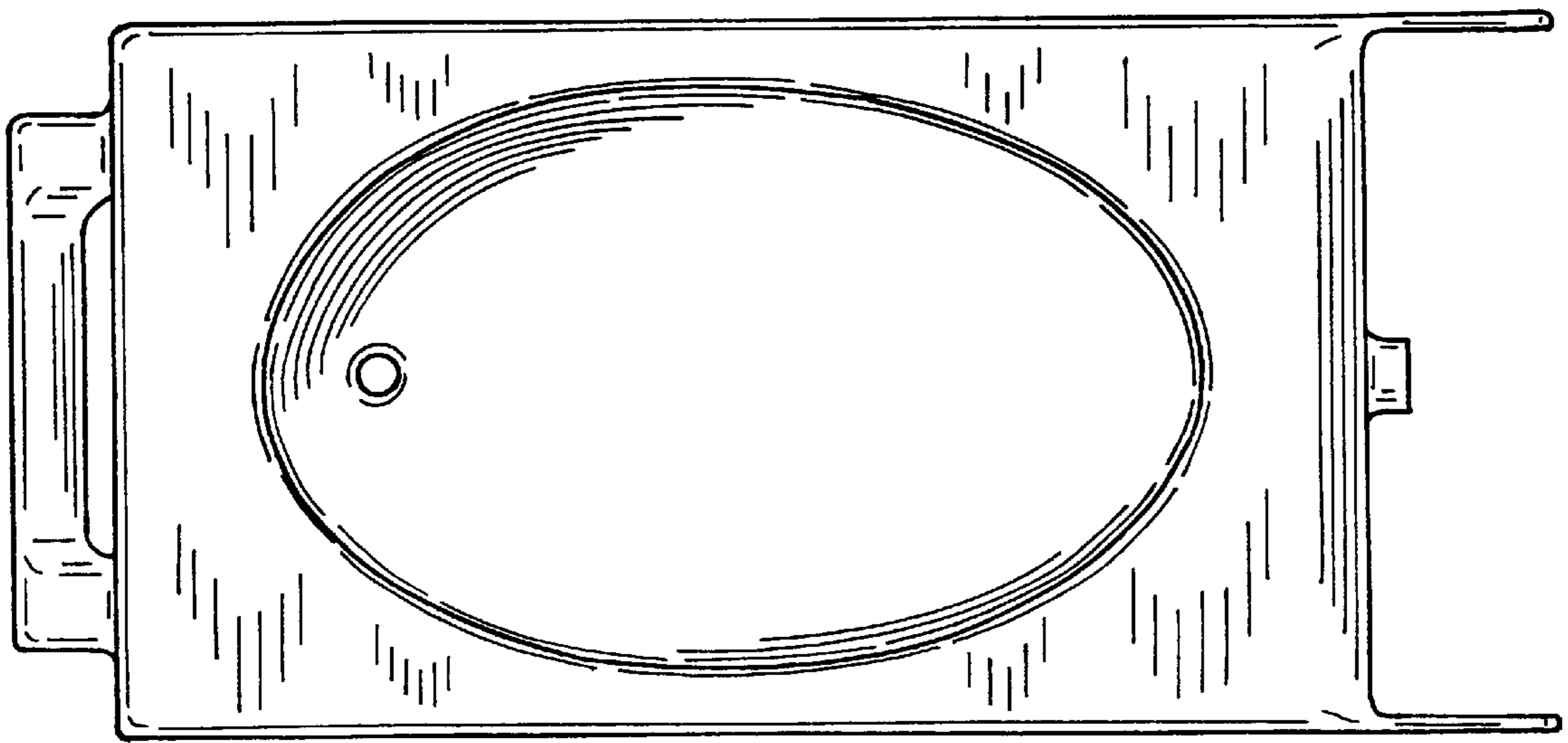


FIG. 5

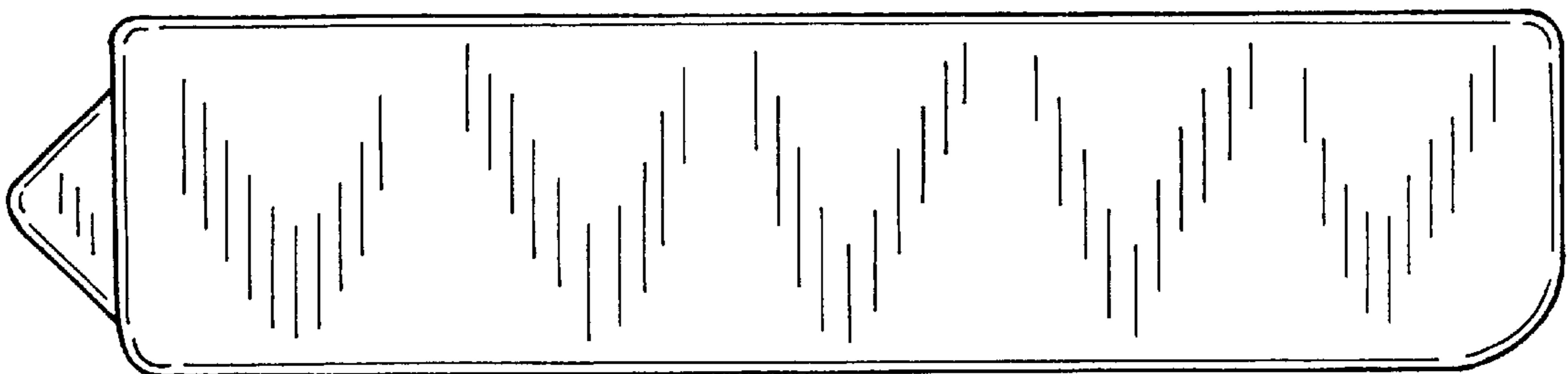


FIG. 6

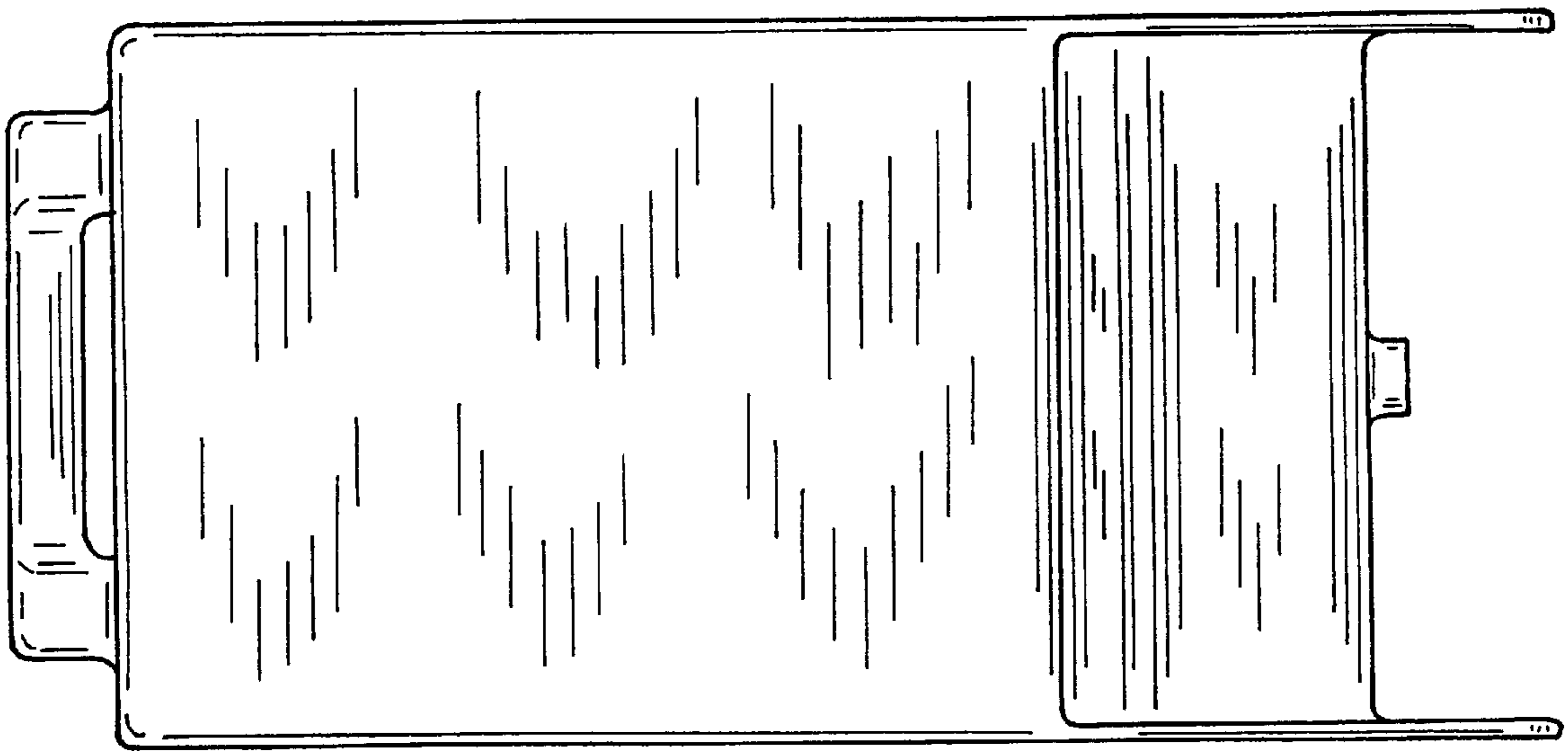


FIG. 7

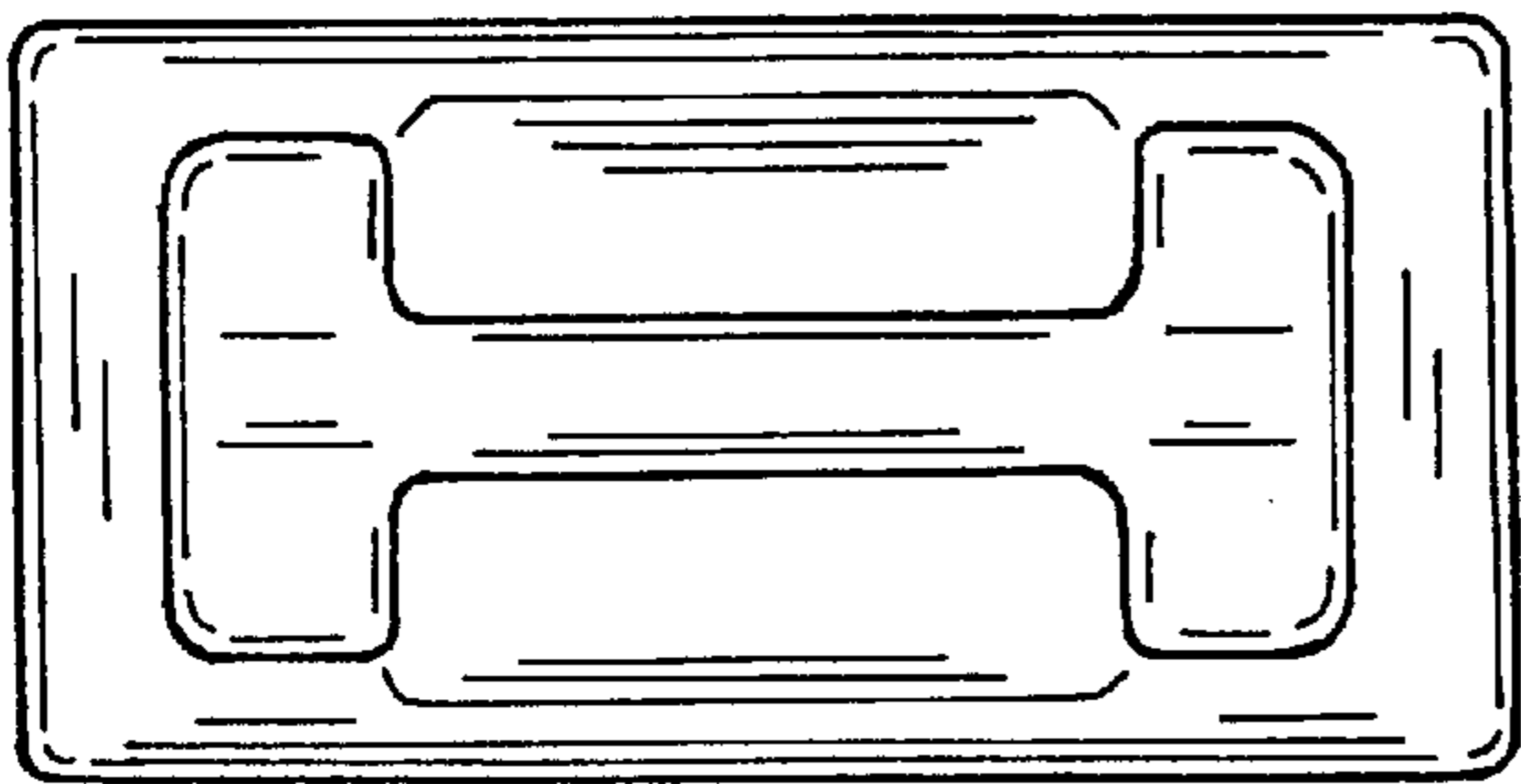


FIG. 8

