



US00D478918S

(12) **United States Design Patent**  
**Casanova**

(10) **Patent No.:** **US D478,918 S**

(45) **Date of Patent:** **\*\* Aug. 26, 2003**

(54) **BAND SAW**

(75) **Inventor:** **Sergio Casanova**, Castel S. Pietro Terme (IT)

(73) **Assignee:** **FEMI S.p.A.**, Bologna (IT)

(\*\*) **Term:** **14 Years**

(21) **Appl. No.:** **29/166,073**

(22) **Filed:** **Aug. 21, 2002**

(30) **Foreign Application Priority Data**

Feb. 28, 2002 (IT) ..... BO200200015

(51) **LOC (7) Cl.** ..... **15-09**

(52) **U.S. Cl.** ..... **D15/134**

(58) **Field of Search** ..... D15/134; 83/814-819

(56) **References Cited**

**U.S. PATENT DOCUMENTS**

D345,171 S \* 3/1994 Watanabe et al. .... D15/134  
D400,216 S \* 10/1998 Lin ..... D15/134

\* cited by examiner

*Primary Examiner*—Antoine Duval Davis

(74) *Attorney, Agent, or Firm*—Fay. Sharpe, Fagan, Minnich & McKee, LLP

(57) **CLAIM**

The ornamental design for a band saw, as shown and described.

**DESCRIPTION**

FIG. 1 is a perspective view of a band saw showing my new design;

FIG. 2 is a front view of the band saw shown in FIG. 1;

FIG. 3 is a rear view of the band saw shown in FIG. 1;

FIG. 4 is a left-side view of the band saw shown in FIG. 1;

FIG. 5 is a right-side view of the band saw shown in FIG. 1;

FIG. 6 is a plan view from above of the band saw shown in FIG. 1;

FIG. 7 is a plan view from beneath of the band saw shown in FIG. 1;

FIG. 8 is a perspective view of a band saw showing a second environment of my new design;

FIG. 9 is a front view of the second embodiment of the band saw shown in FIG. 8;

FIG. 10 is a rear view of the second embodiment of the band saw shown in FIG. 8;

FIG. 11 is a left-side view of the second embodiment of the band saw shown in FIG. 8;

FIG. 12 is a right-side view of the second embodiment of the band saw shown in FIG. 8;

FIG. 13 is a plan view from above of the second embodiment of the band saw shown in FIG. 8; and,

FIG. 14 is a plan view from beneath of the second embodiment of the band saw shown in FIG. 8.

**1 Claim, 8 Drawing Sheets**

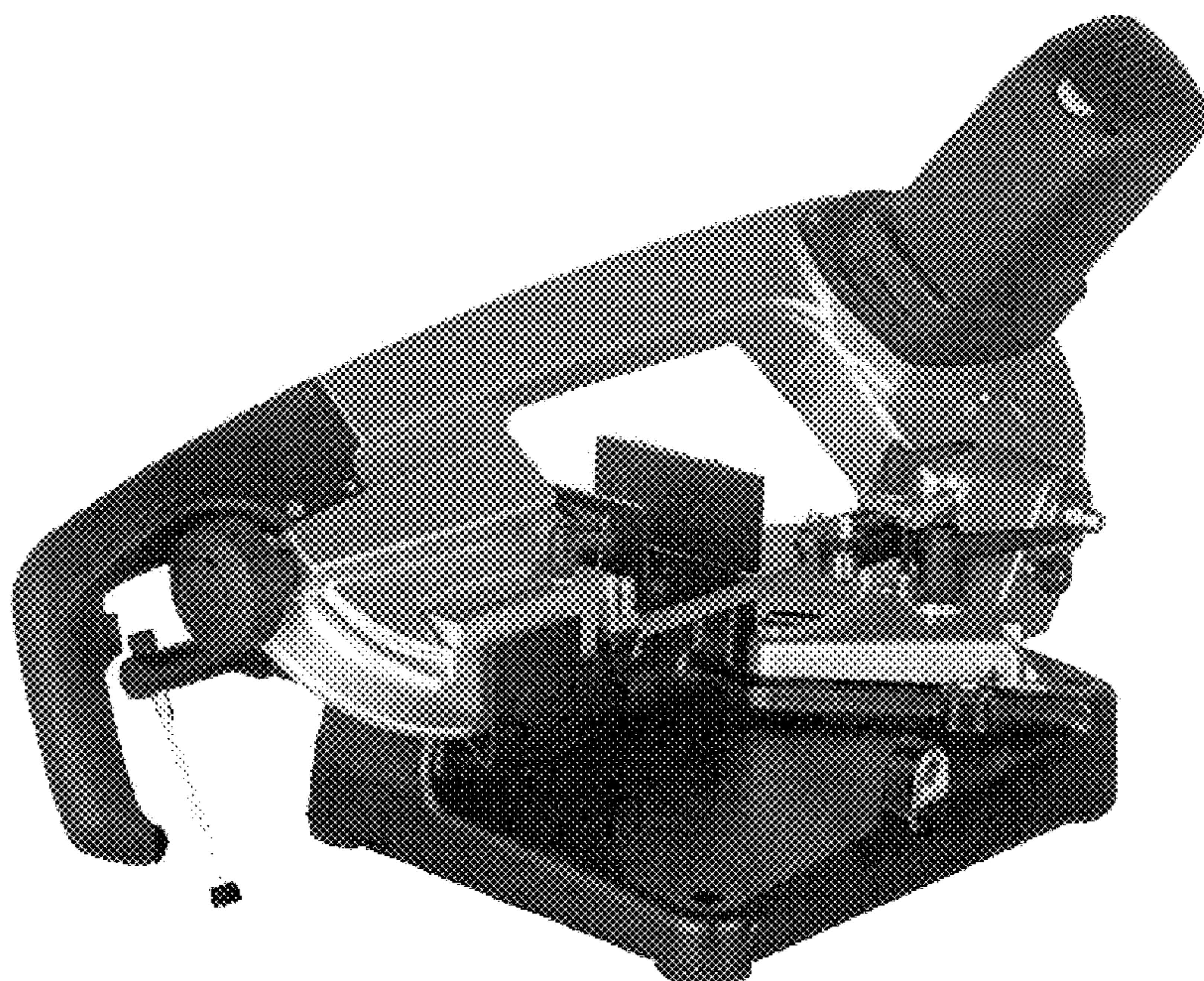


FIG. 1

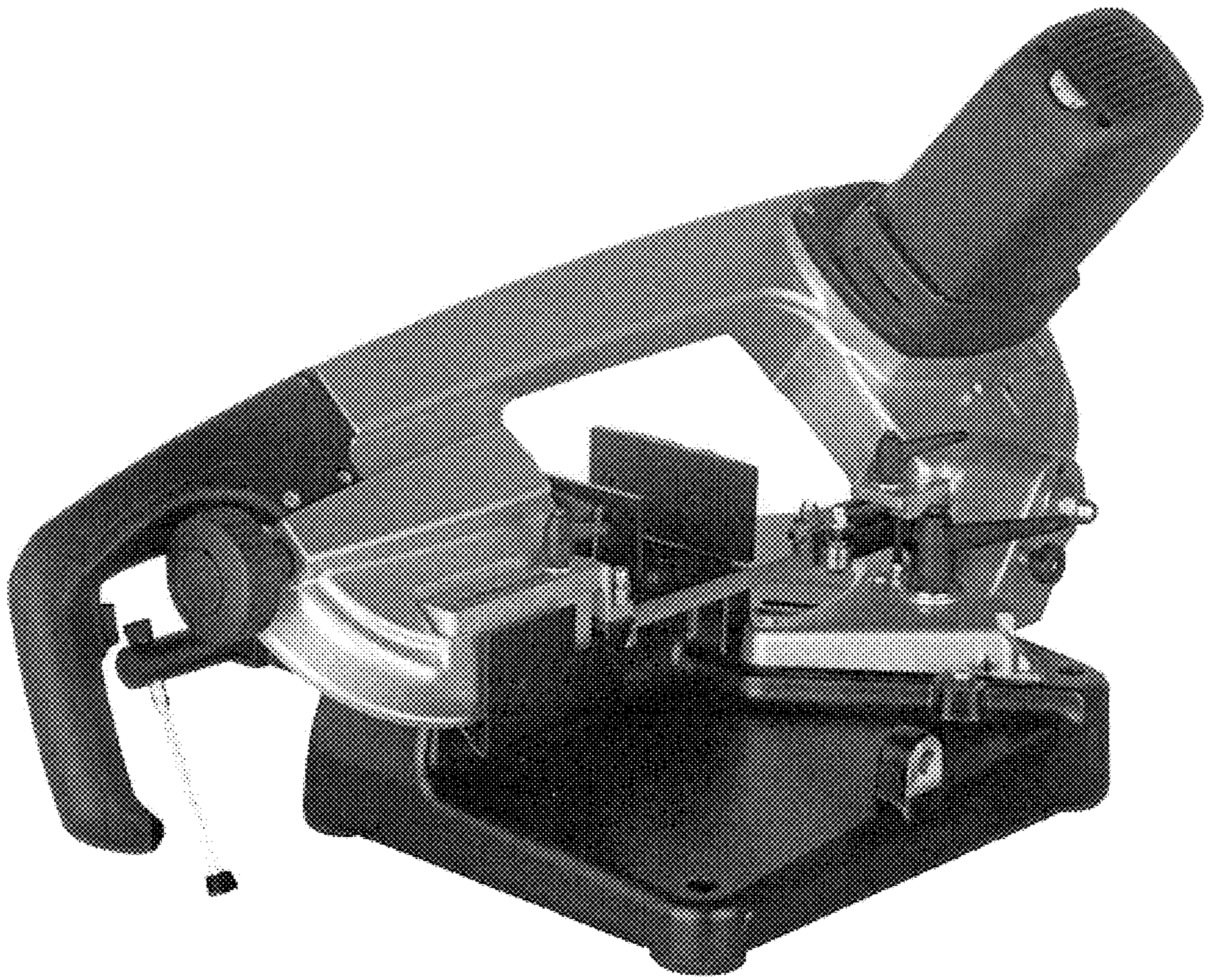


FIG.2

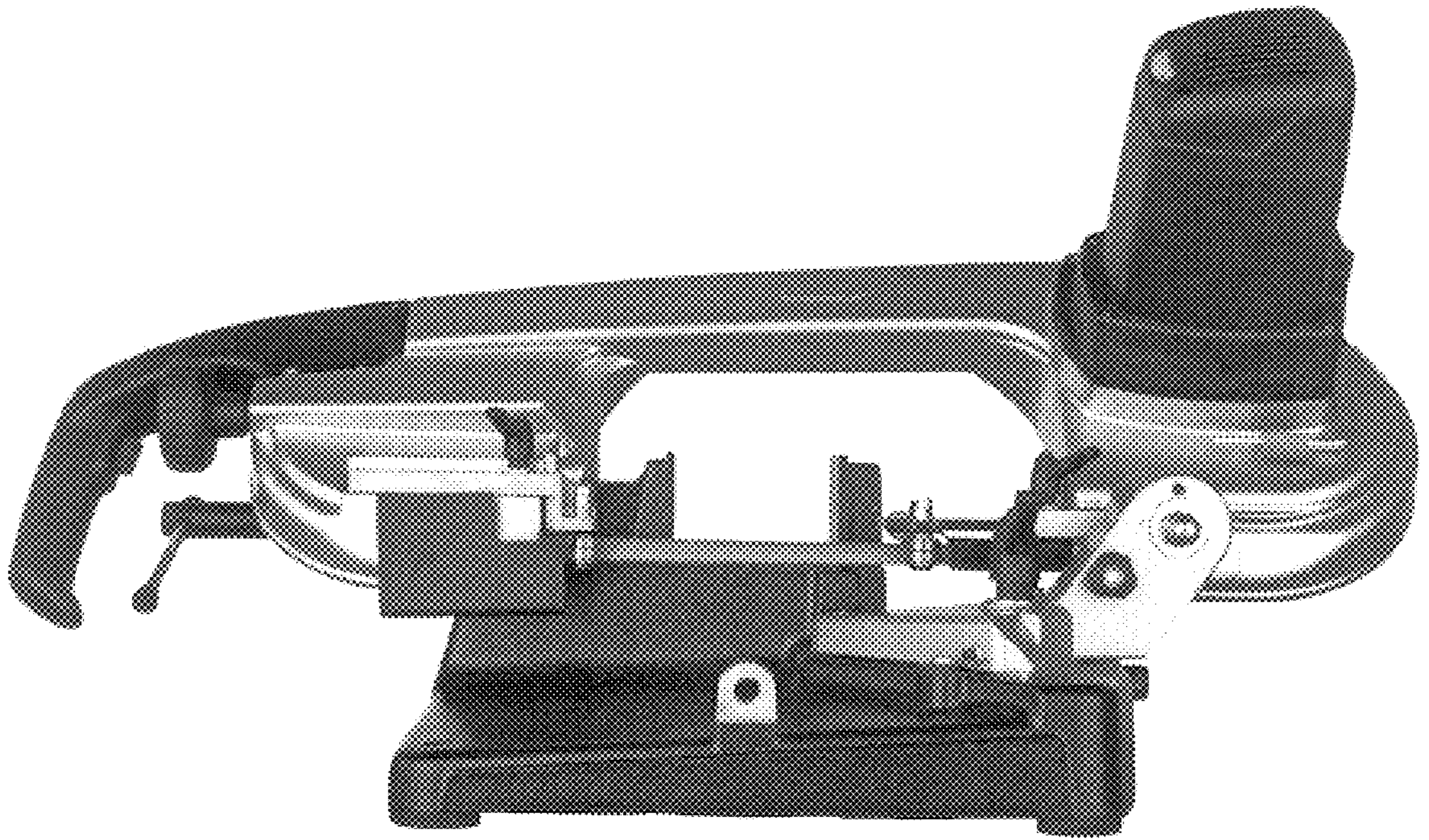


FIG.3

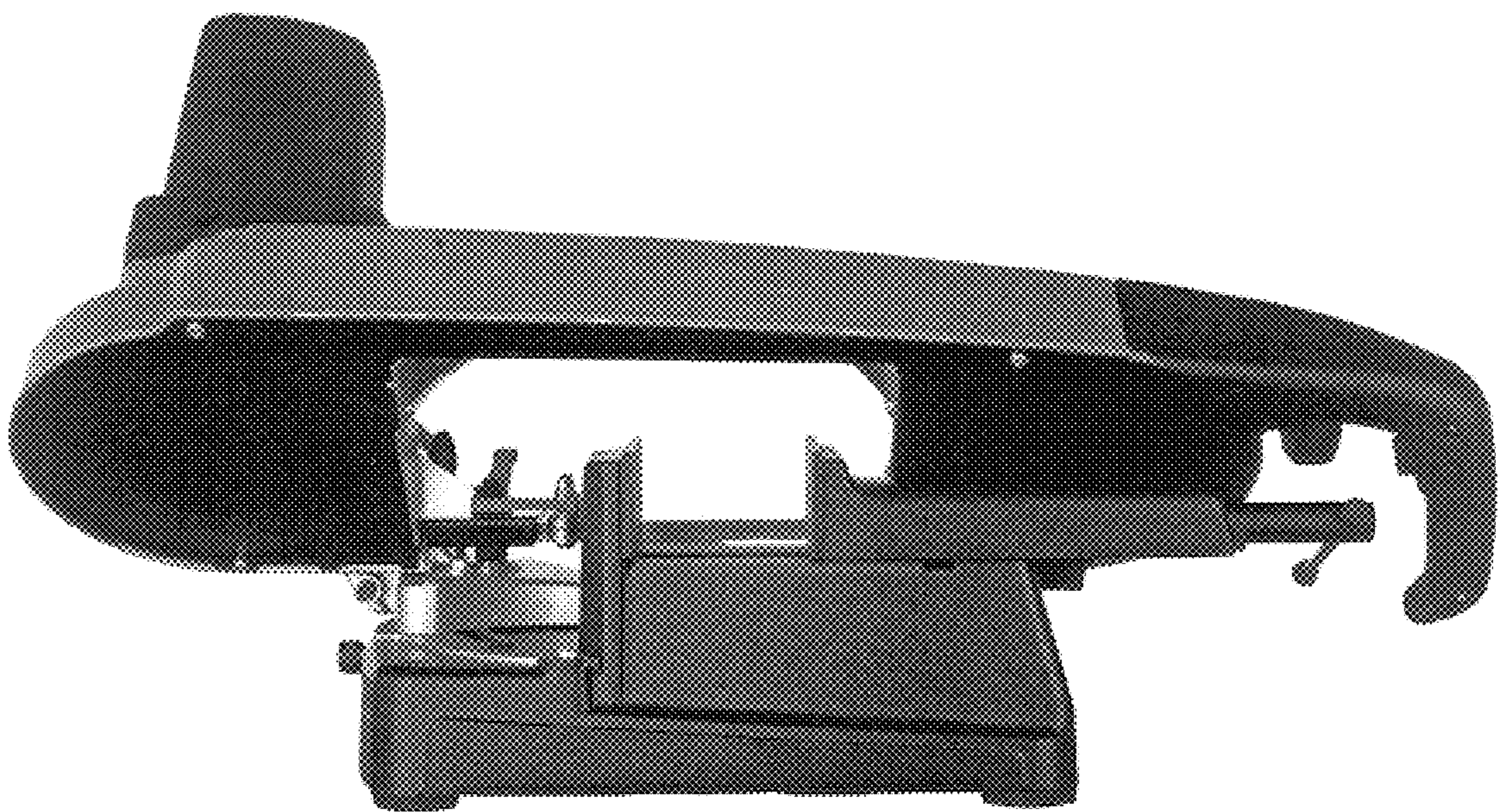


FIG.4

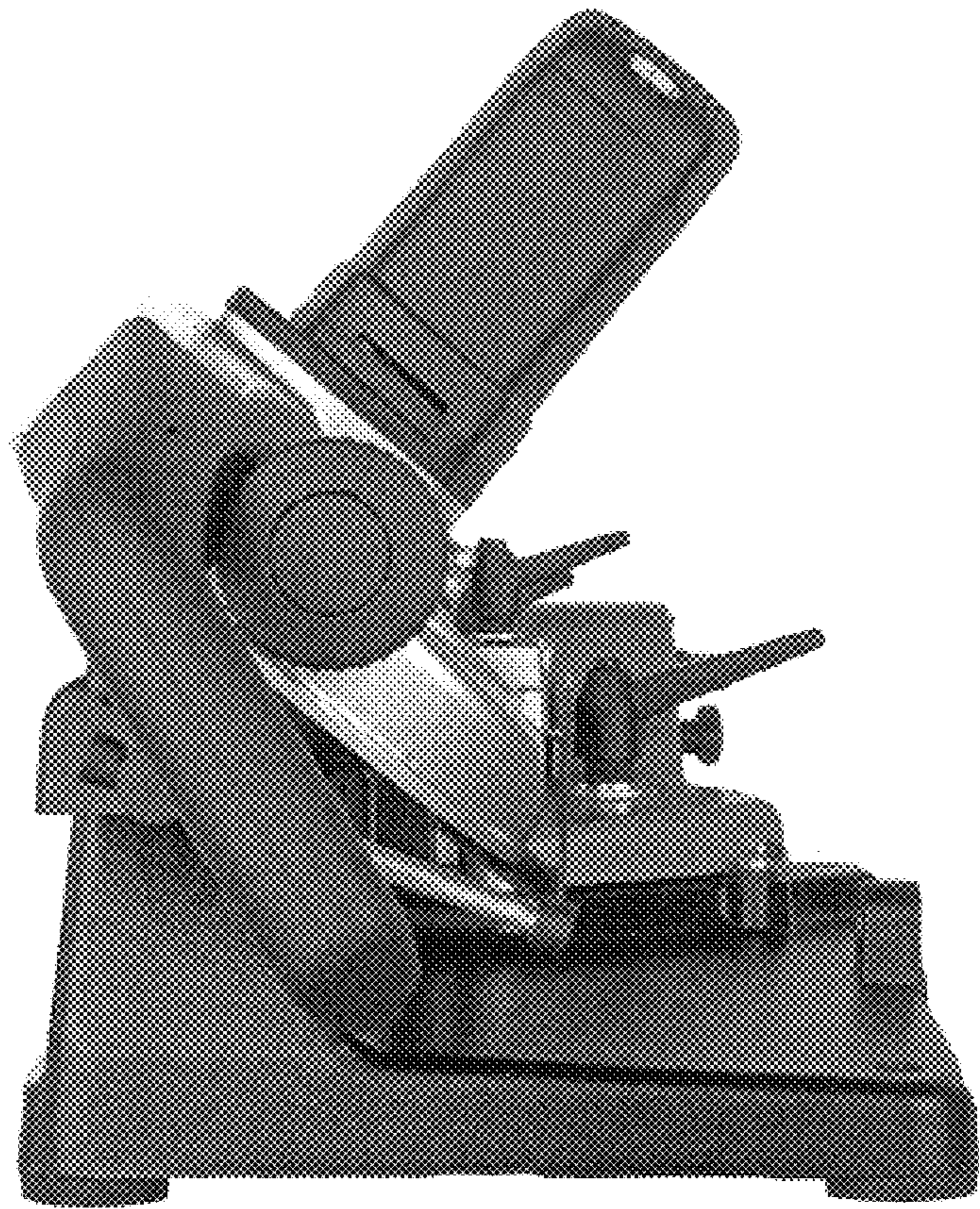


FIG.5

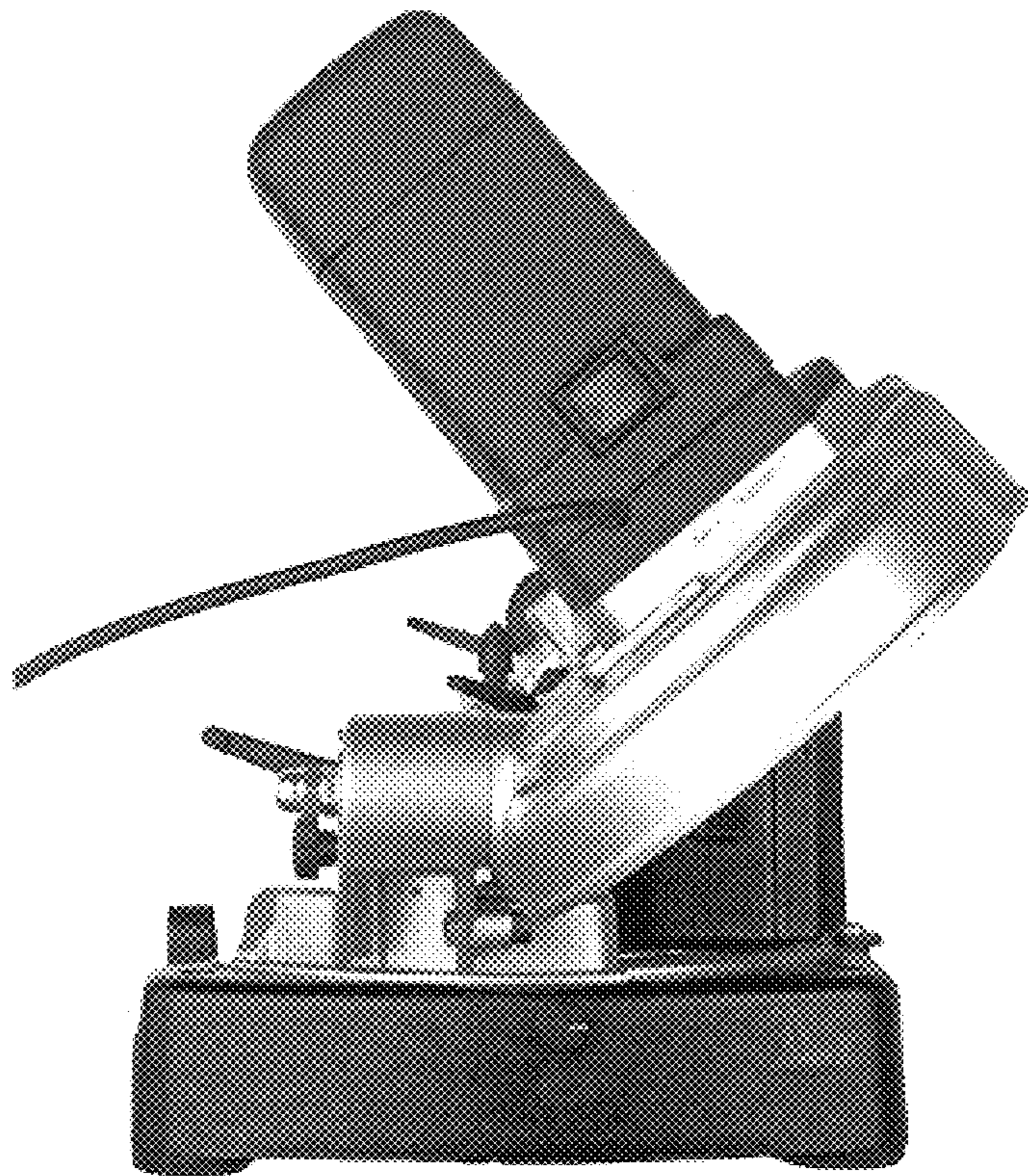


FIG.6

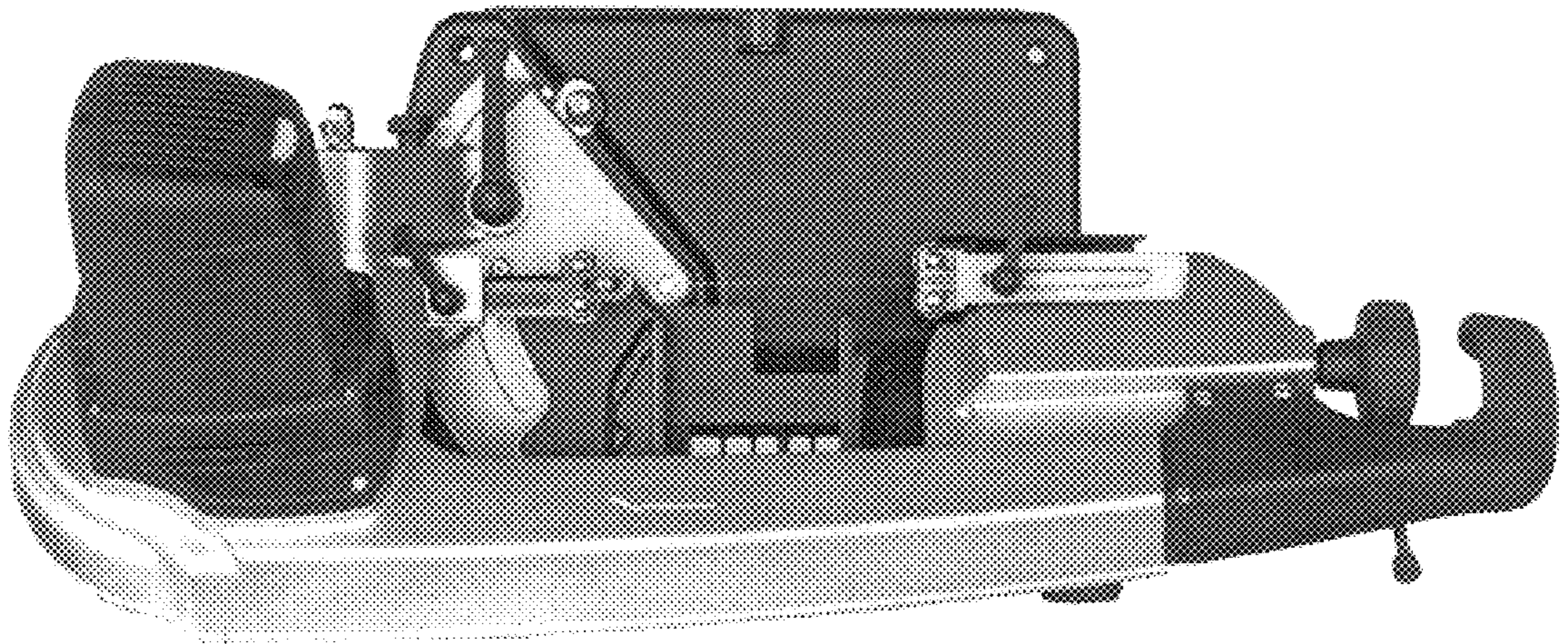
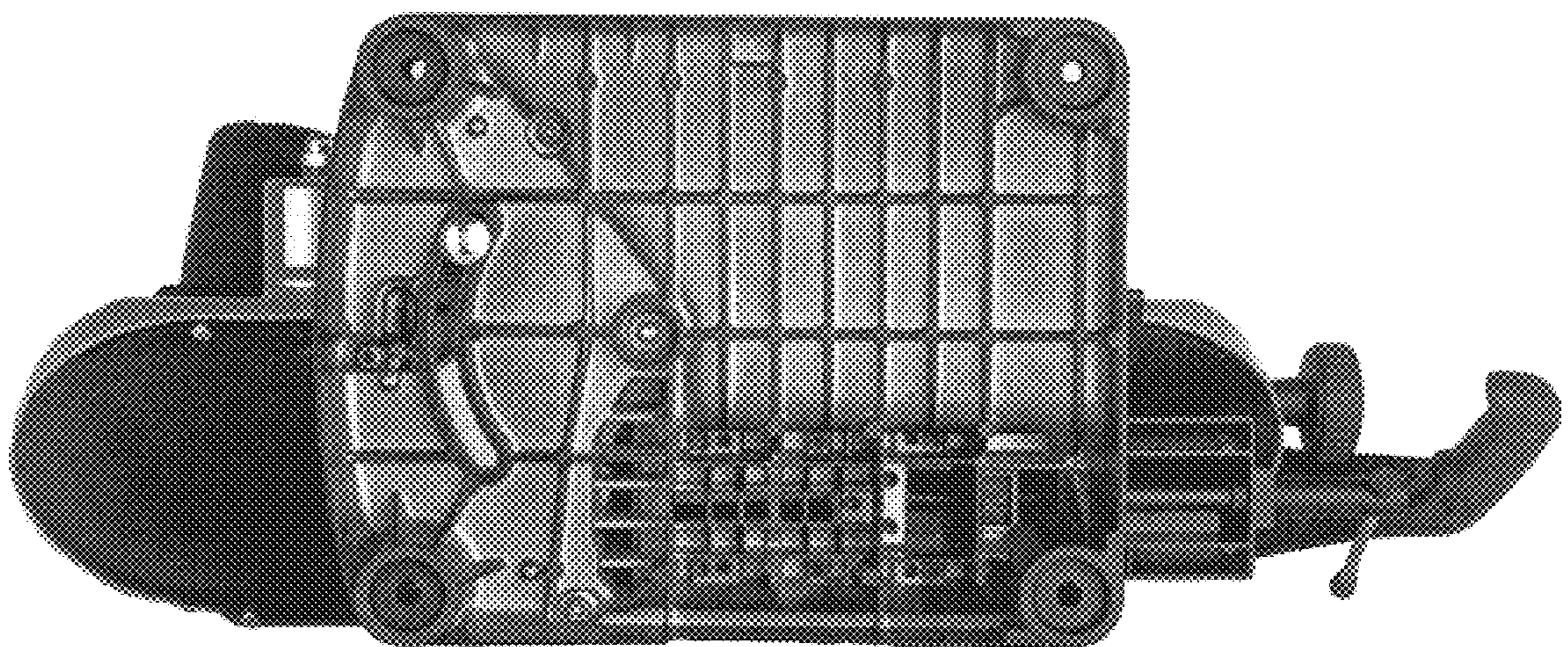


FIG.7



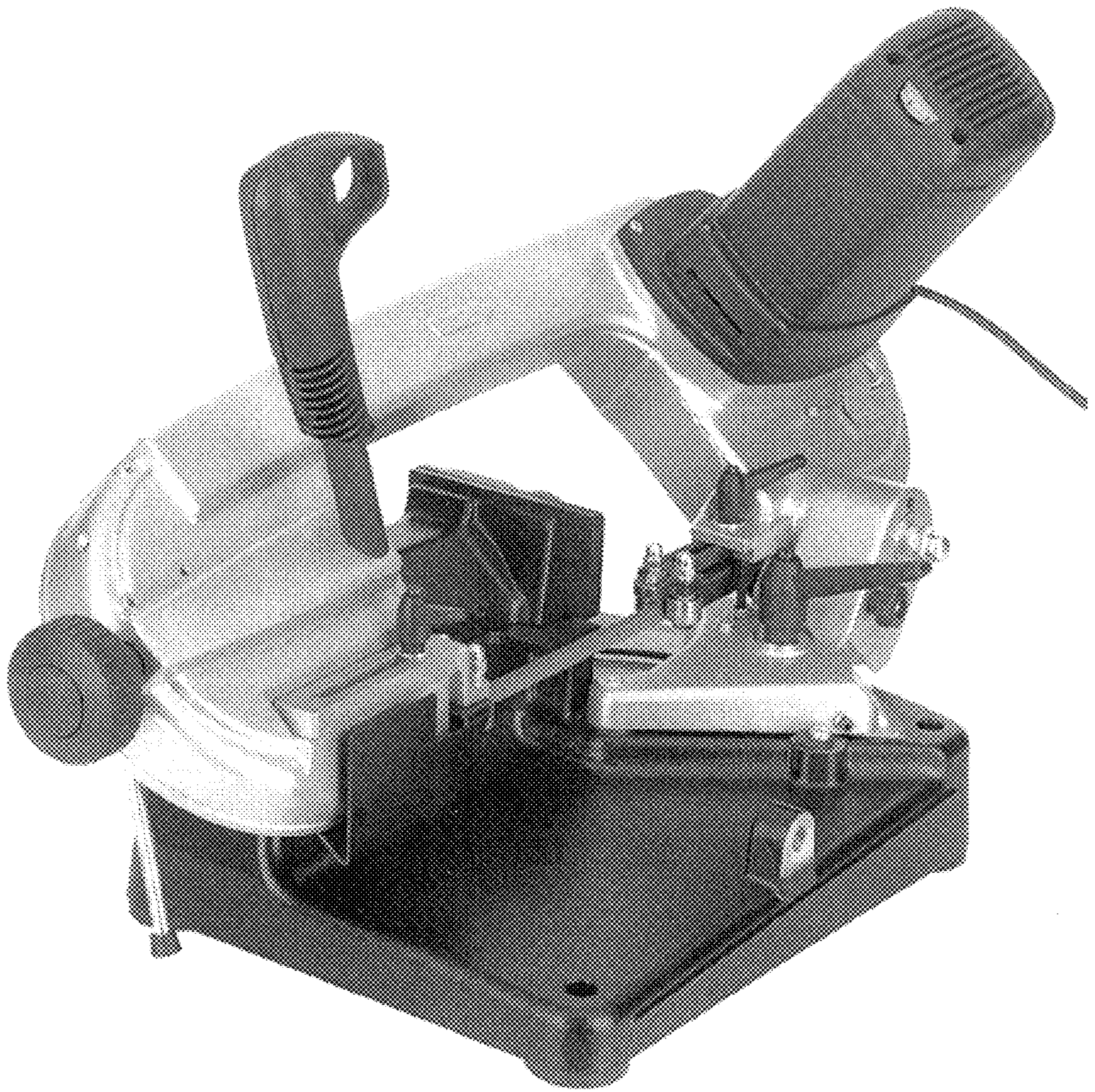


FIG. 8

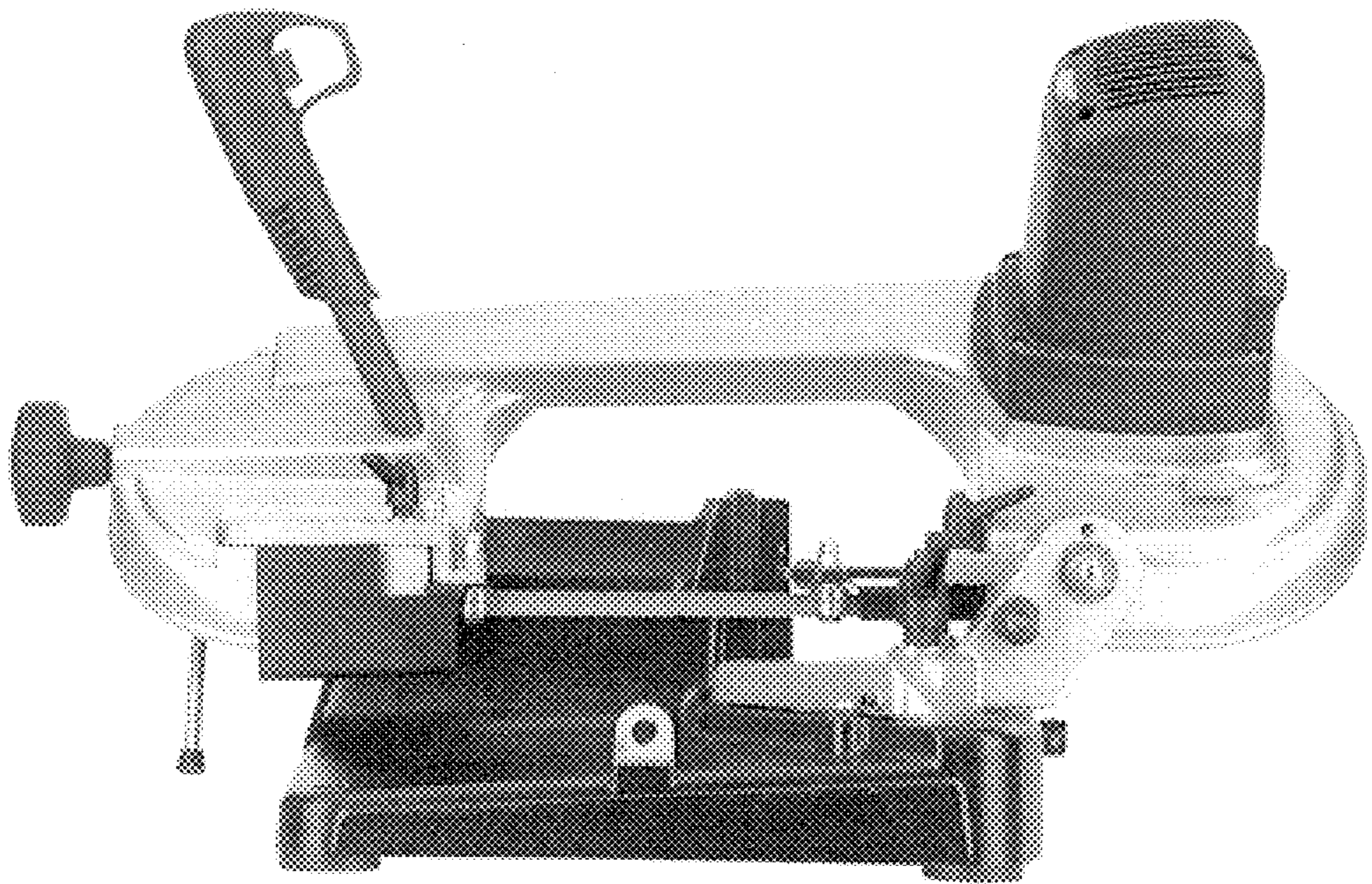


FIG. 9

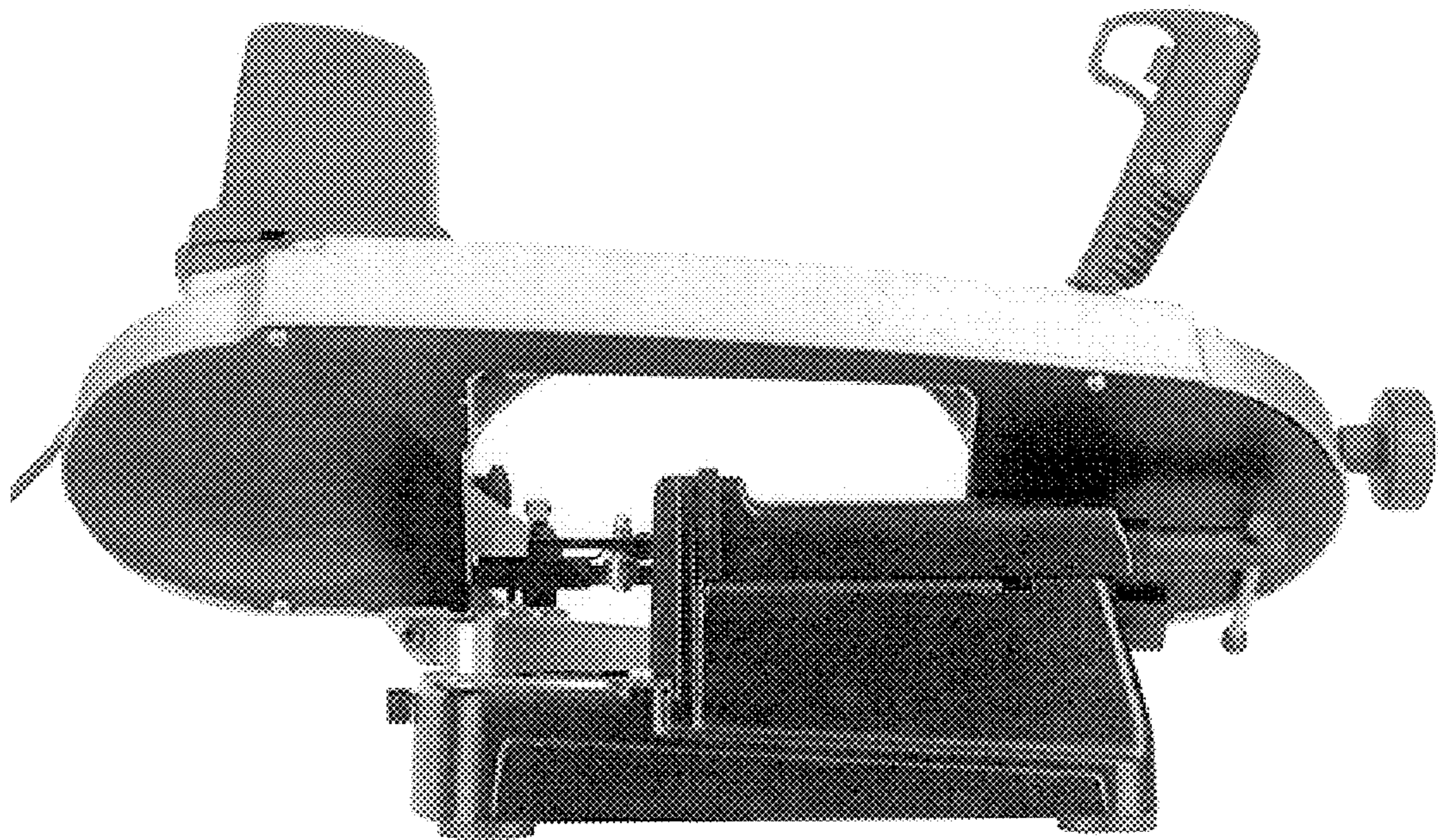


FIG. 10

FIG. 11

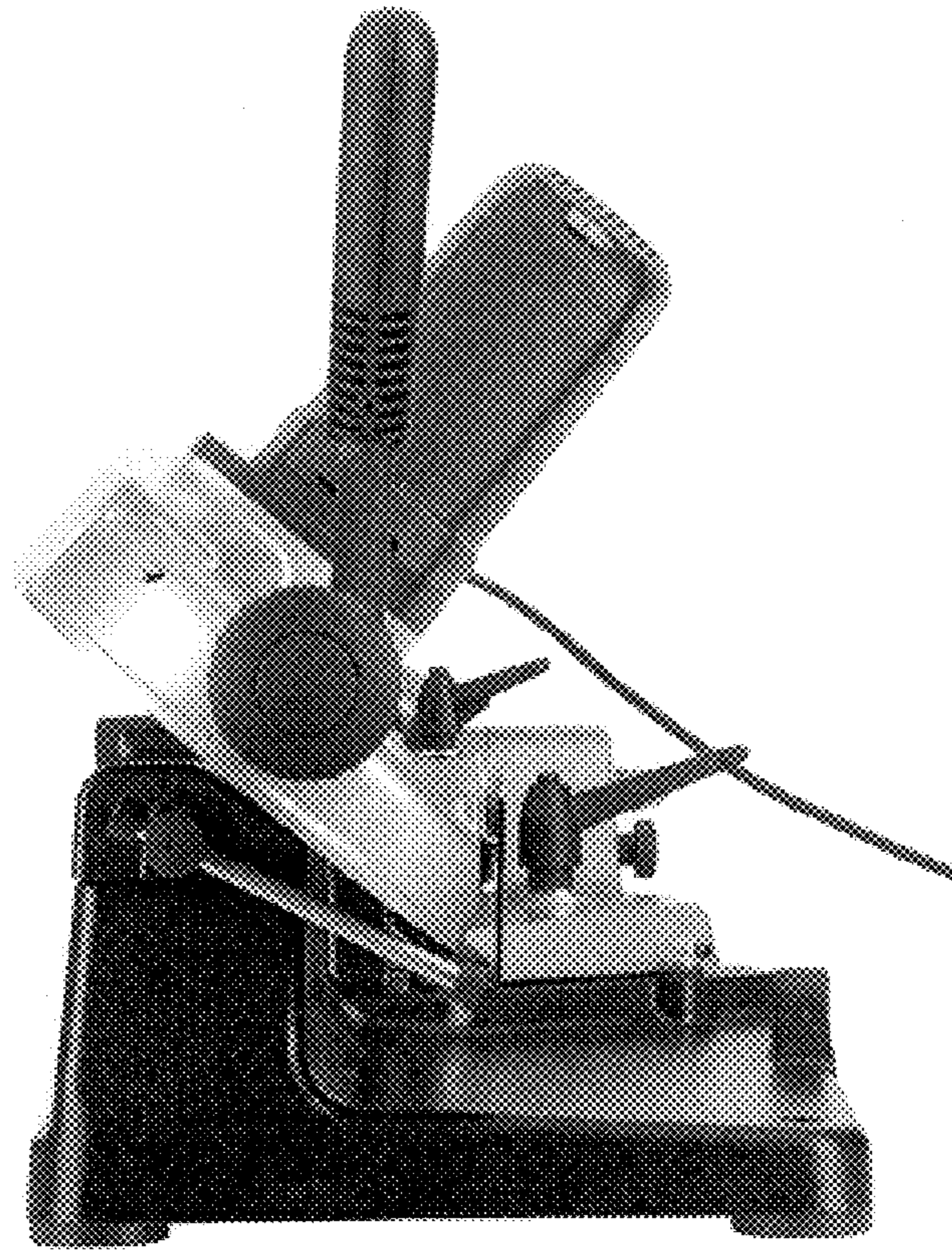
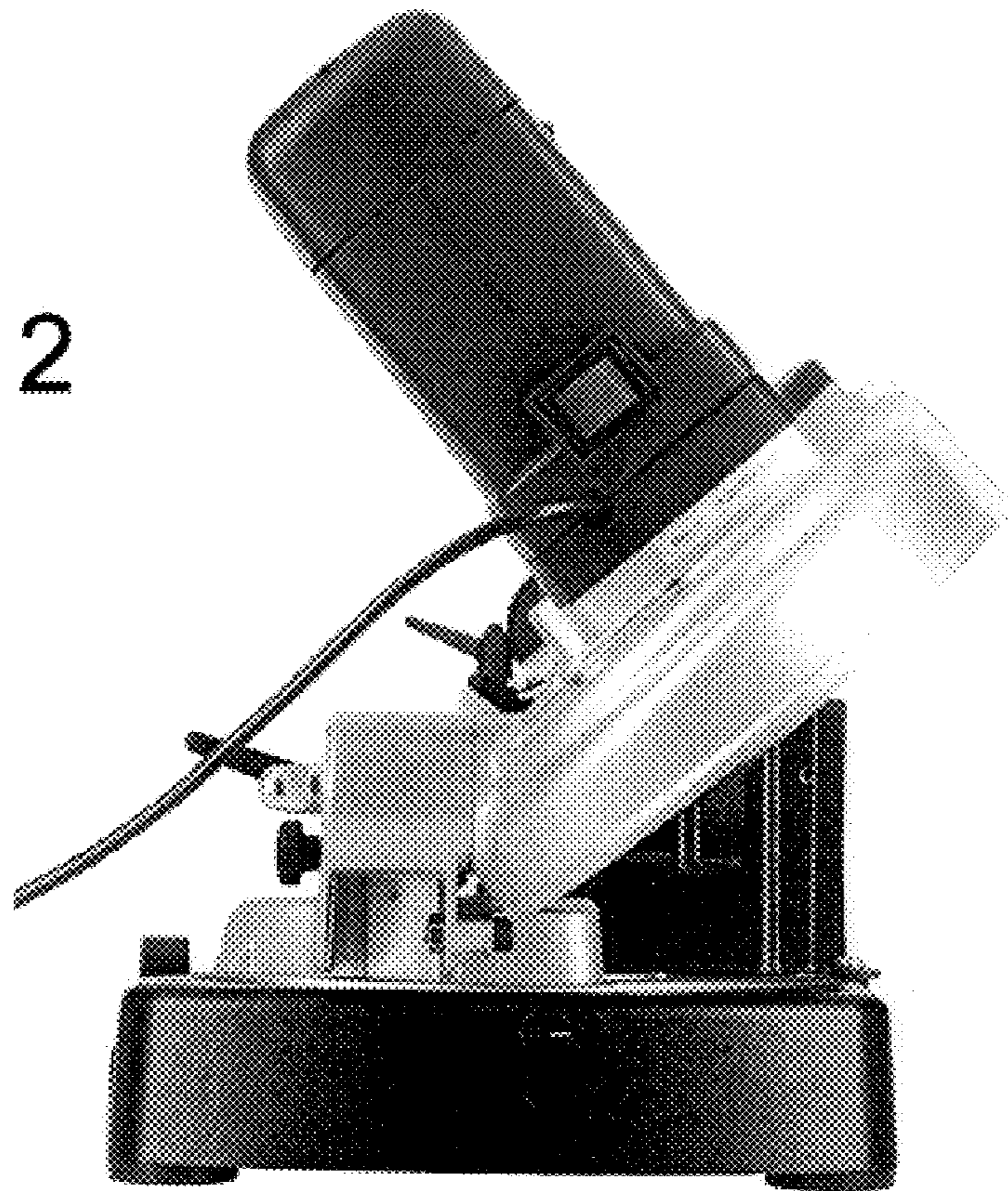


FIG. 12





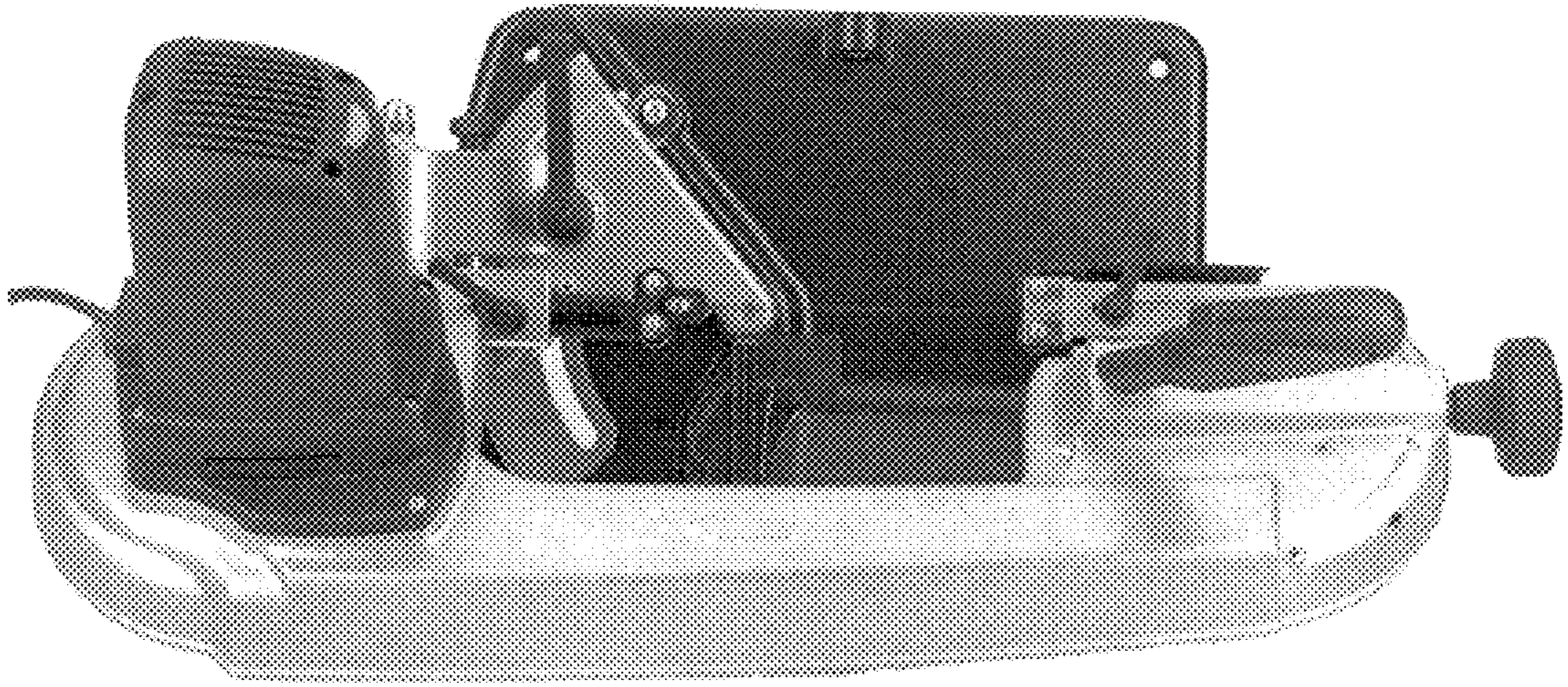


FIG. 13

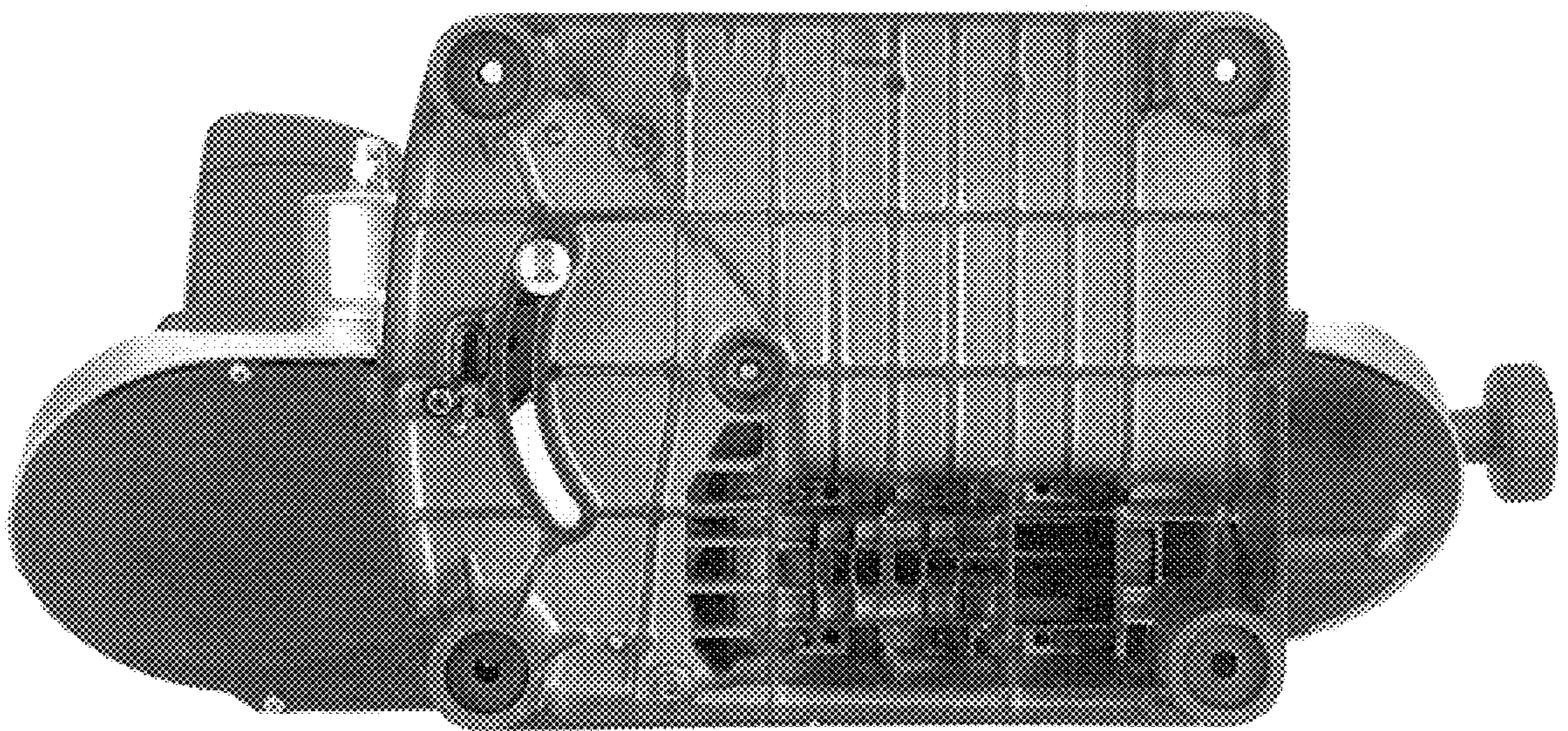


FIG. 14