



US00D478916S

(12) **United States Design Patent**
Kuroki

(10) **Patent No.:** **US D478,916 S**

(45) **Date of Patent:** **** Aug. 26, 2003**

(54) **SEWING MACHINE**

(75) **Inventor:** **Nobufusa Kuroki, Tokyo (JP)**

(73) **Assignee:** **Janome Sewing Machine Co., Ltd., Tokyo (JP)**

(**) **Term:** **14 Years**

(21) **Appl. No.:** **29/162,715**

(22) **Filed:** **Jun. 21, 2002**

(30) **Foreign Application Priority Data**

Jan. 10, 2002 (JP) 2002-000303

(51) **LOC (7) Cl.** **15-06**

(52) **U.S. Cl.** **D15/69**

(58) **Field of Search** D15/66-72; 112/258, 112/262.3, 217.1-217.4

(56) **References Cited**

U.S. PATENT DOCUMENTS

- D305,237 S * 12/1989 Kuroki D15/69
- D307,024 S * 4/1990 Itoh et al. D15/69
- D309,739 S * 8/1990 Itoh et al. D15/69
- D321,518 S * 11/1991 Uchida D15/69
- D321,694 S * 11/1991 Uchida D15/69

- D338,022 S * 8/1993 Takada et al. D15/69
- D392,294 S * 3/1998 Kato et al. D15/69
- D450,721 S * 11/2001 Kawaguchi D15/69
- D462,368 S * 9/2002 Kuroki D15/69
- D465,793 S * 11/2002 Takada et al. D15/69

* cited by examiner

Primary Examiner—Mitchell Siegel

(74) *Attorney, Agent, or Firm*—McGinn & Gibb, PLLC

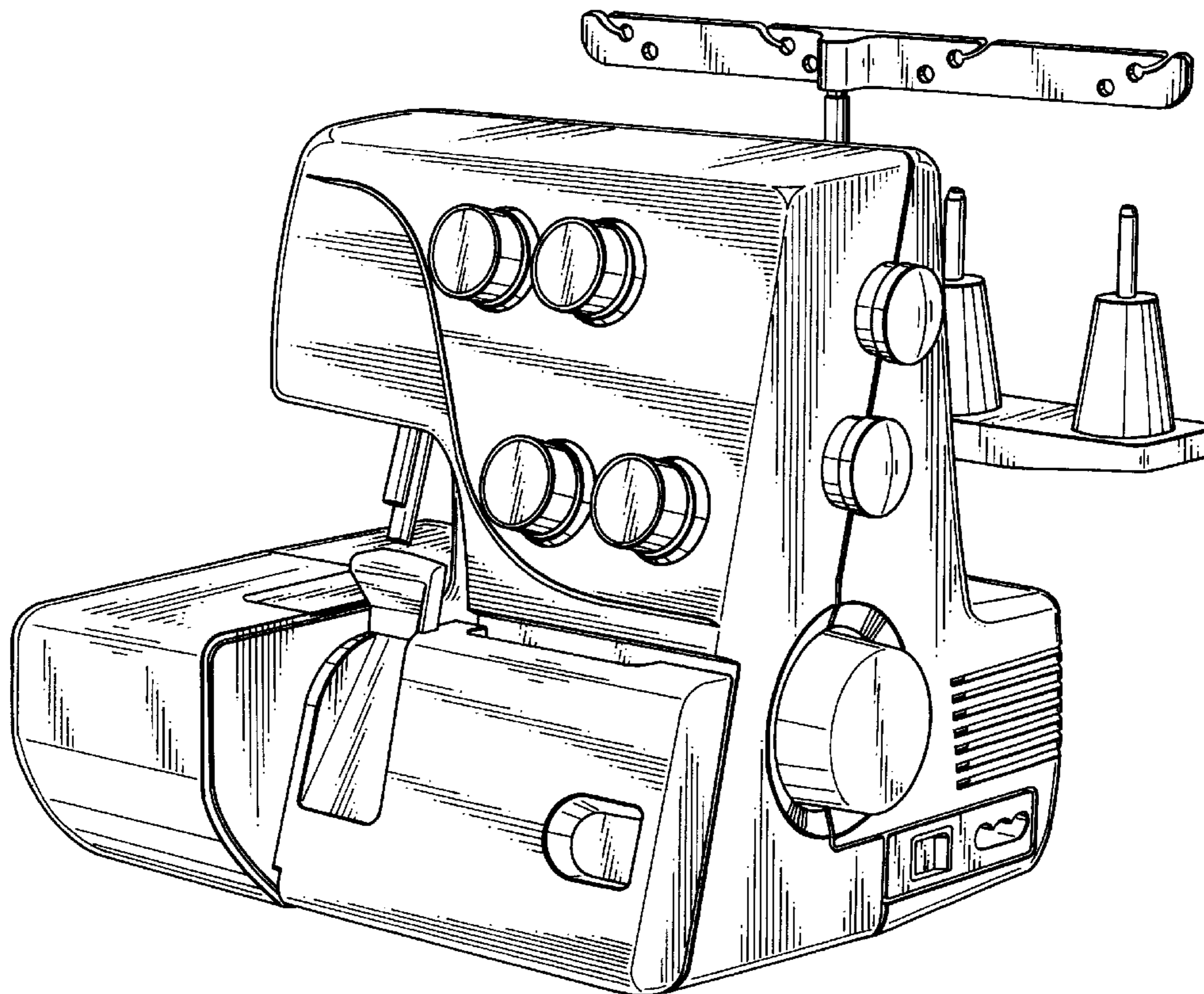
(57) **CLAIM**

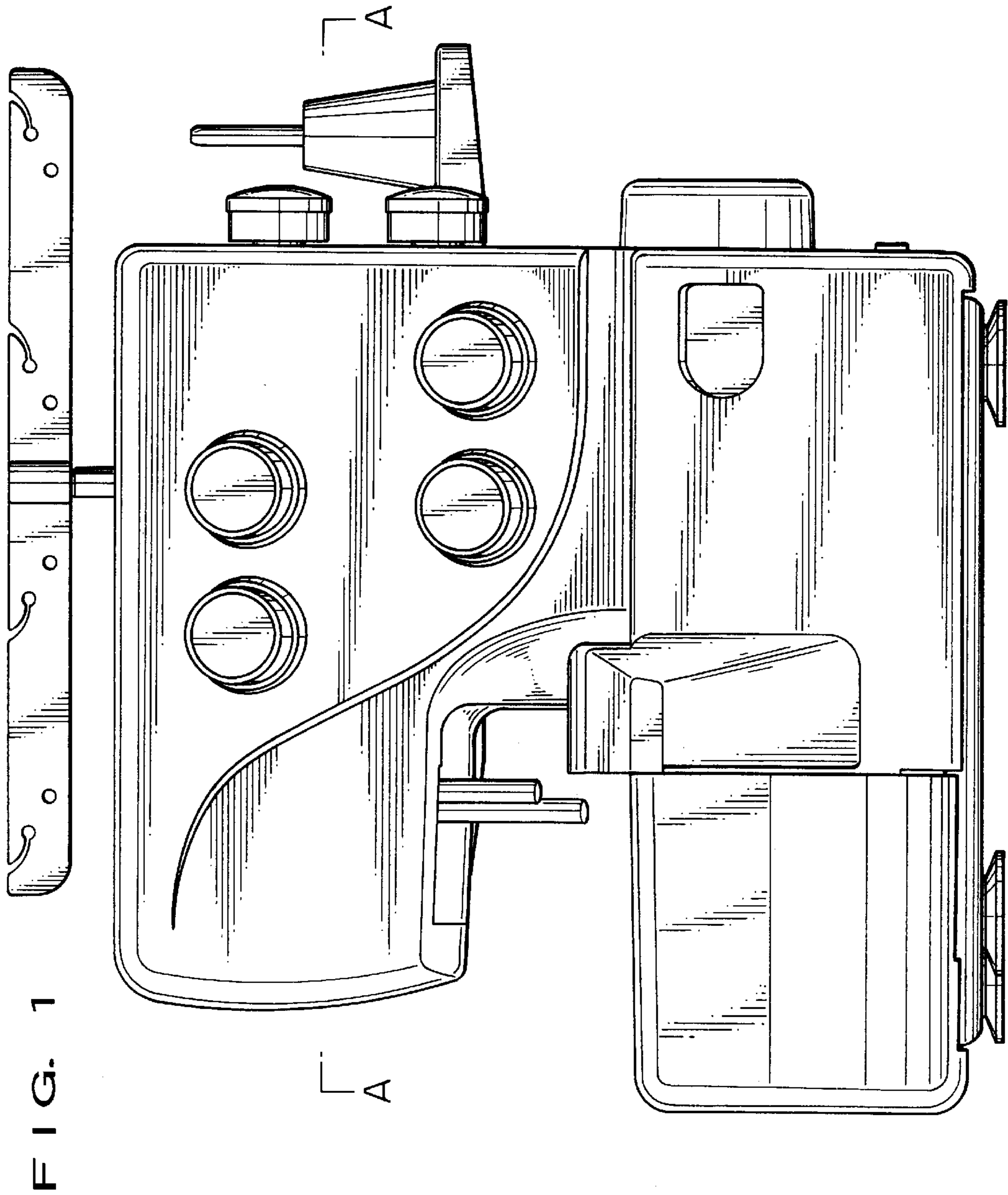
The ornamental design for a sewing machine, as shown and described.

DESCRIPTION

FIG. 1 is a front elevational view of a sewing machine showing my design;
 FIG. 2 is a rear elevational view thereof;
 FIG. 3 is a left side elevational view thereof;
 FIG. 4 is a right side elevational view thereof;
 FIG. 5 is a top plan view thereof;
 FIG. 6 is a bottom plan view thereof;
 FIG. 7 is a perspective view thereof;
 FIG. 8 is a perspective view thereof; and,
 FIG. 9 is a cross sectional view taken on line 9—9 of FIG. 1.

1 Claim, 9 Drawing Sheets





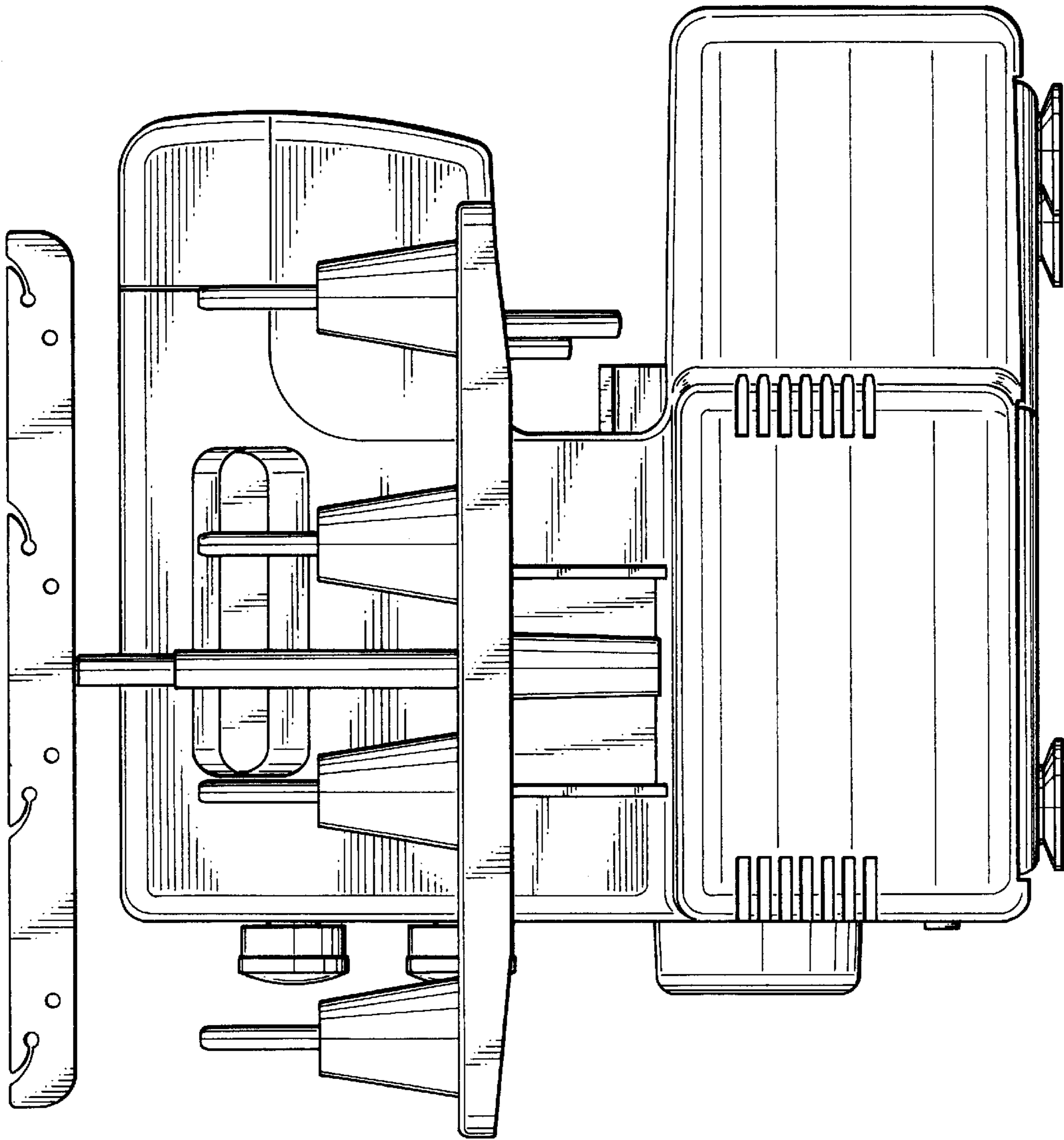


FIG. 2

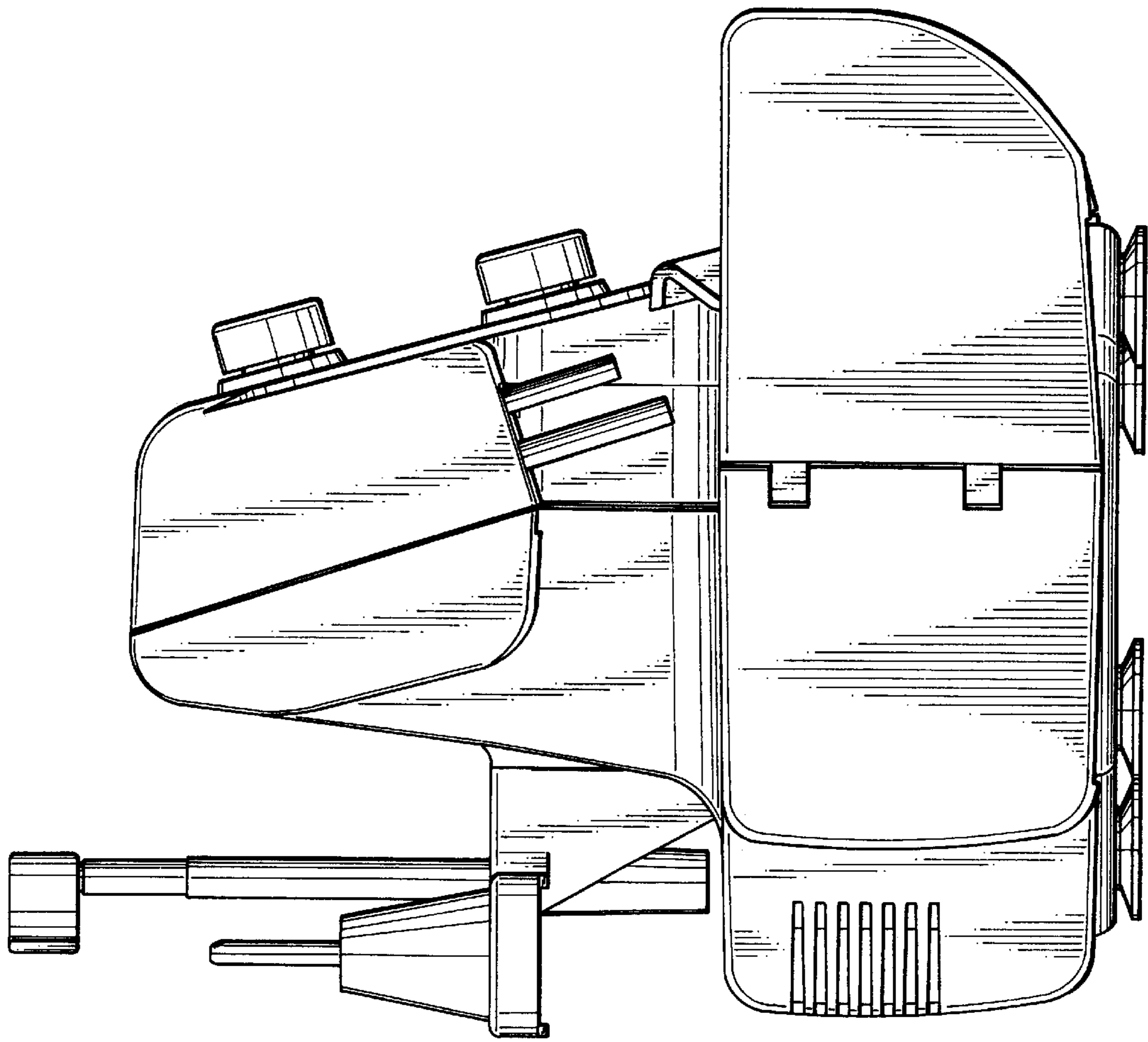


FIG. 3

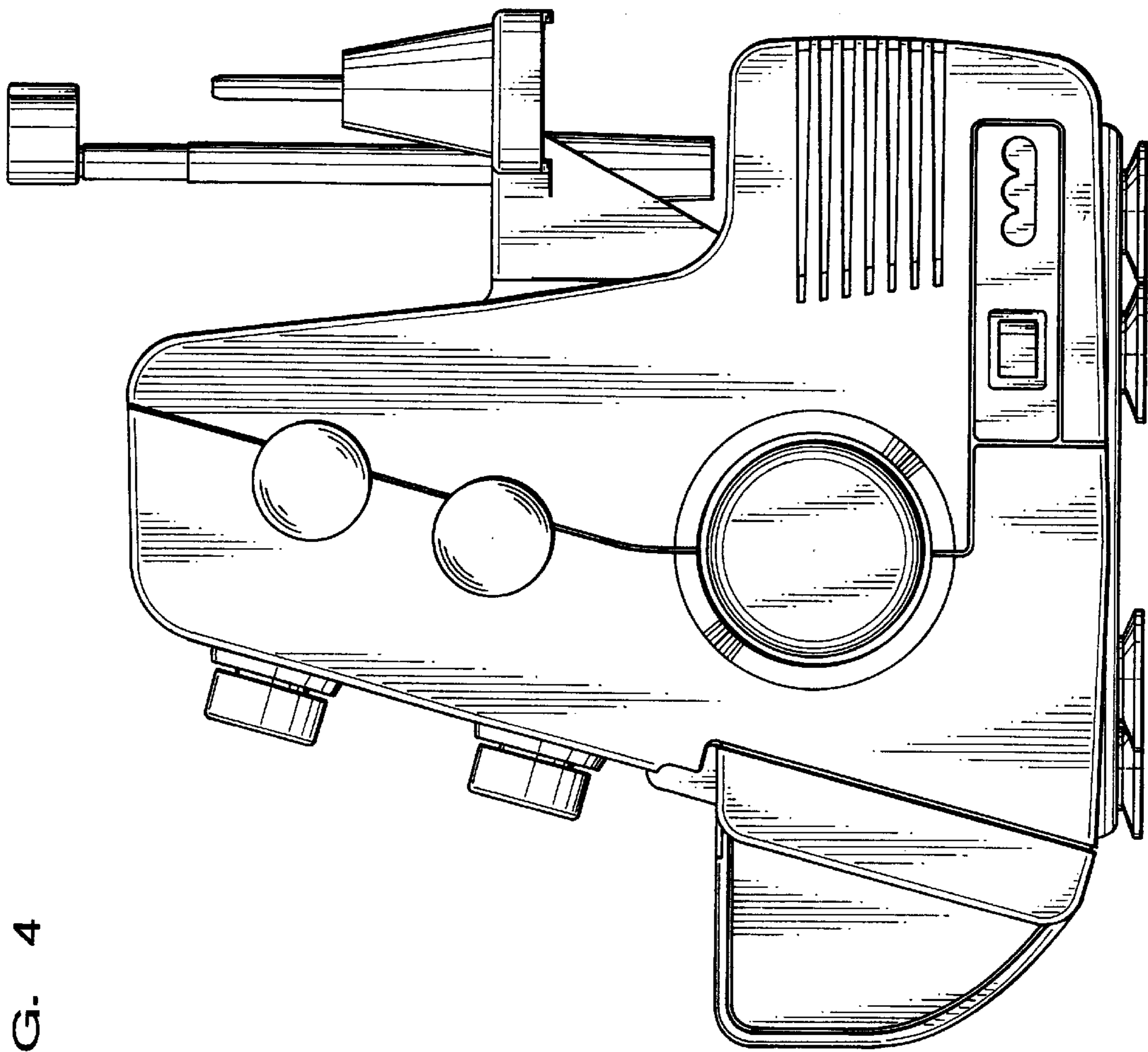


FIG. 4

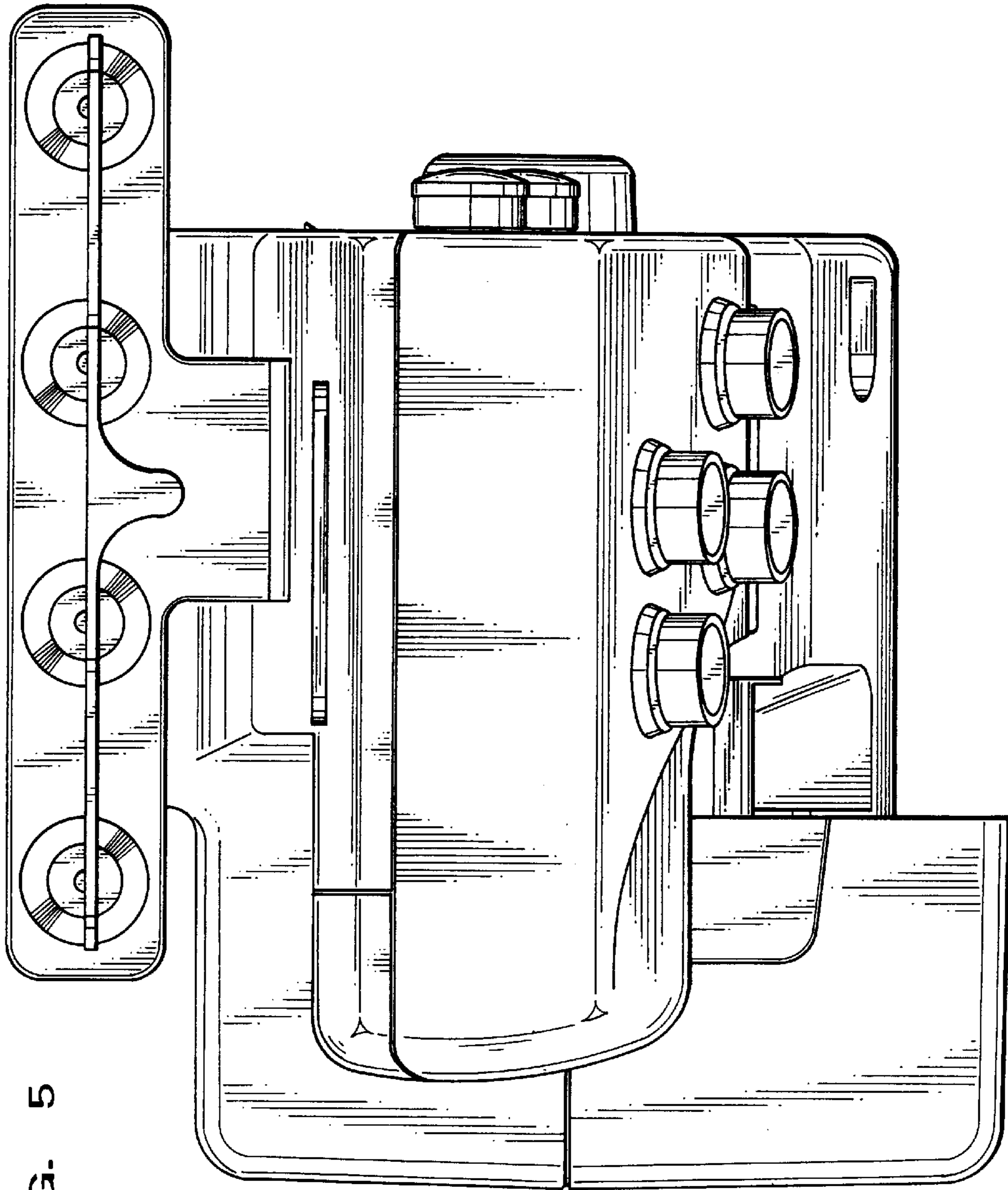


FIG. 5

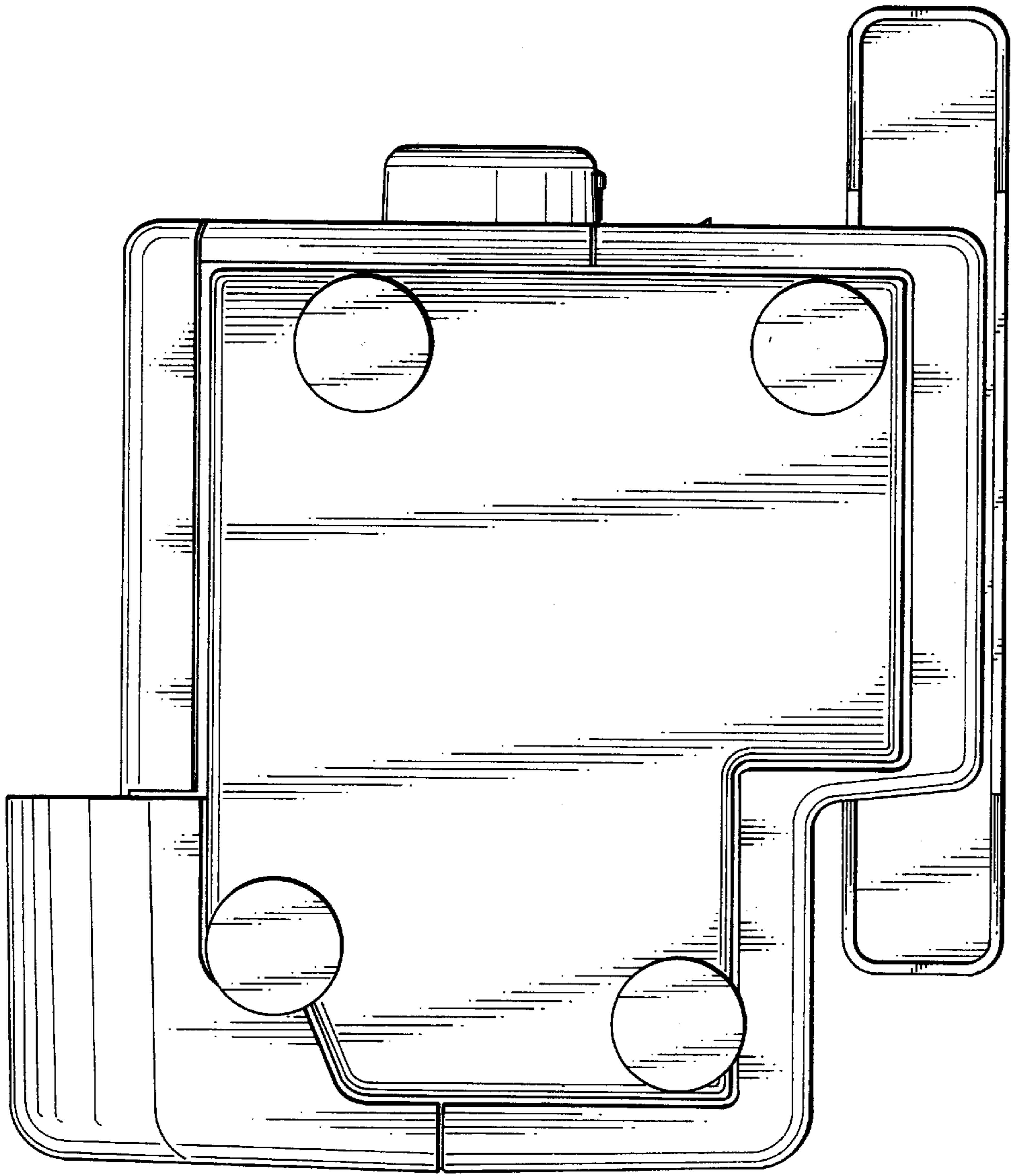


FIG. 6

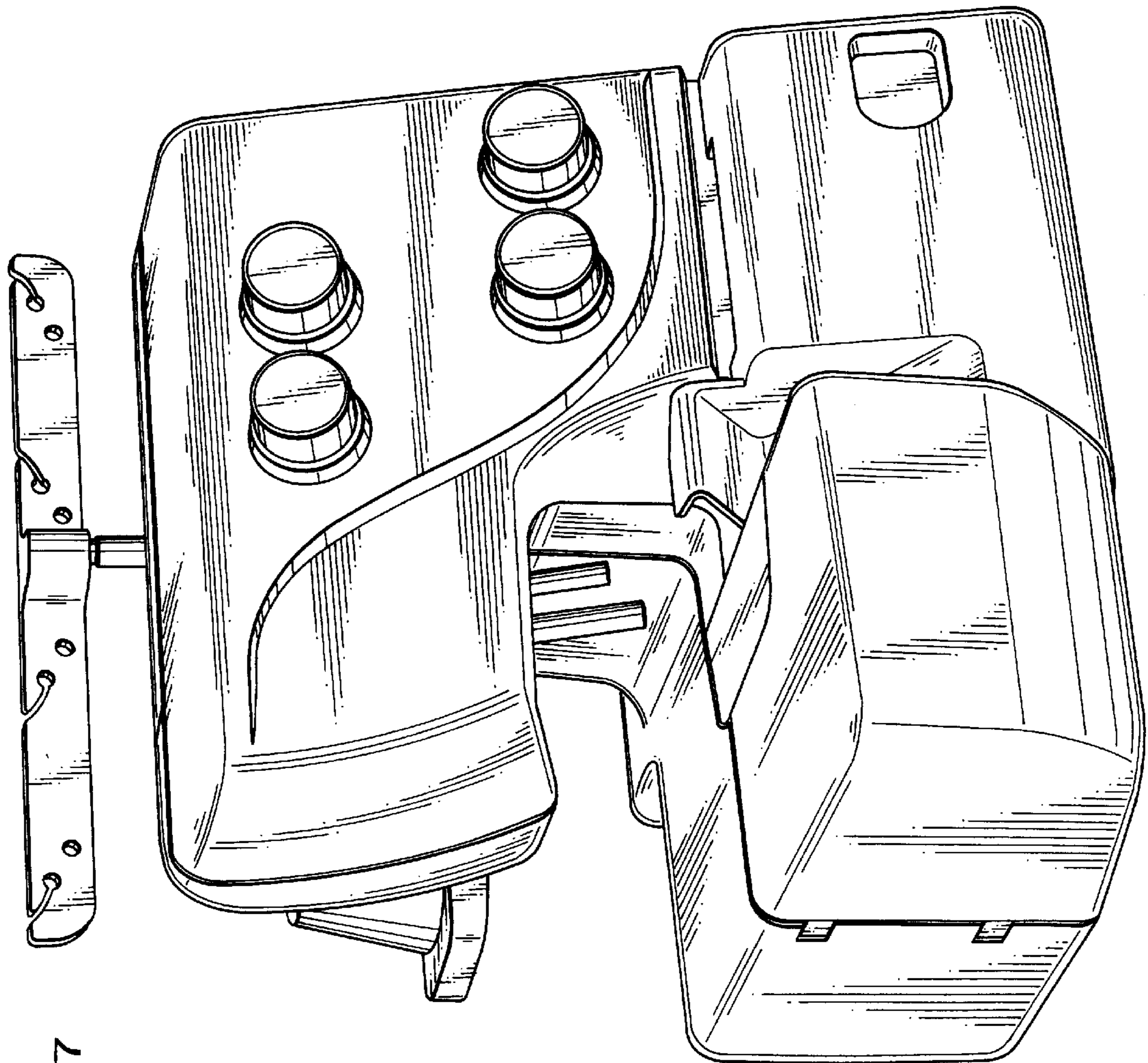


FIG. 7

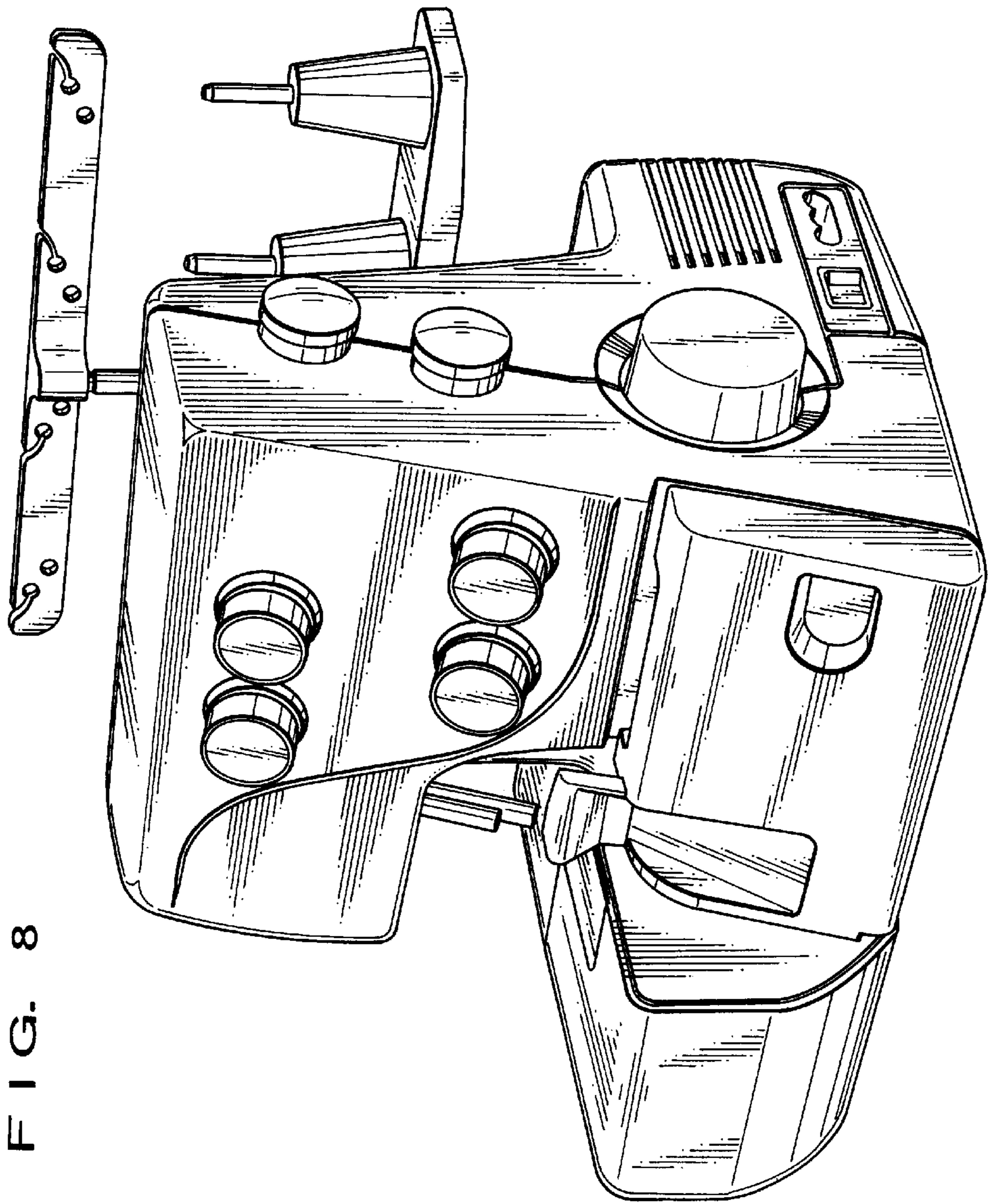


FIG. 8

FIG. 9

